

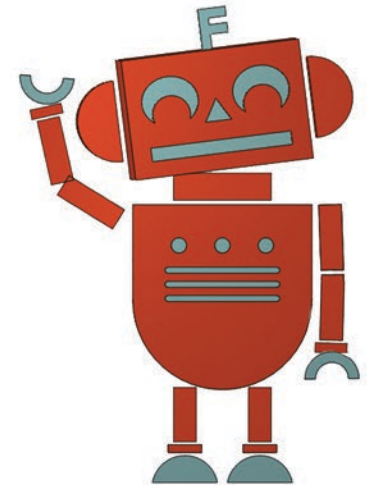


CAR BUILDING BASICS



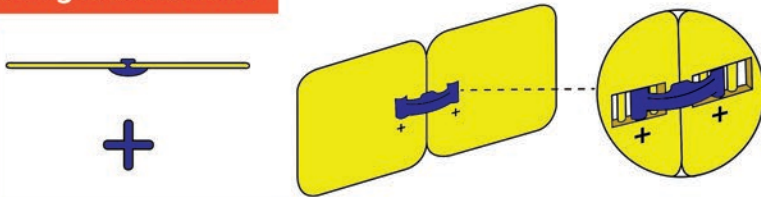
Fort Boards®
— *imagination builder* —

Hi, I'm Fort Bot! I'll help you build a car today! You'll need one Fort Boards Custom Fort Builder pack.

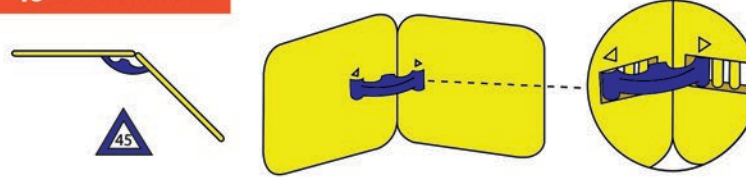


Challenge Level: Medium

Straight Connection



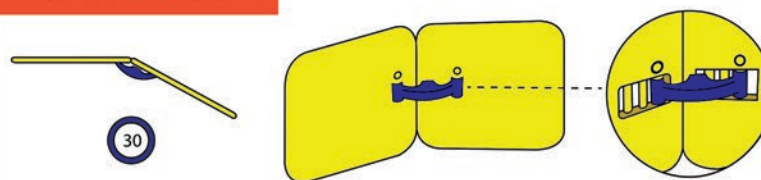
45° Connection



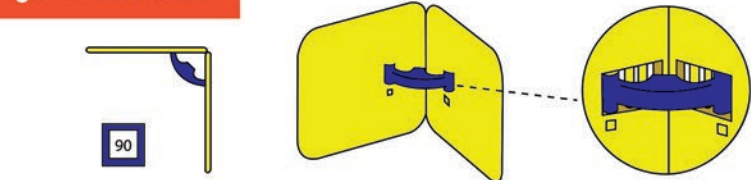
No Connector



30° Connection



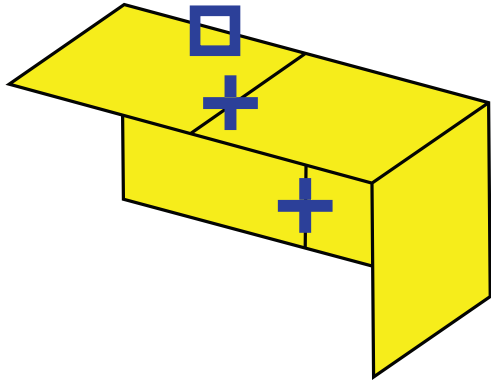
90° Connection



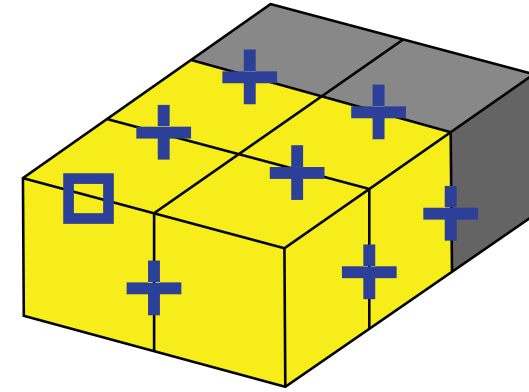
Not Attached



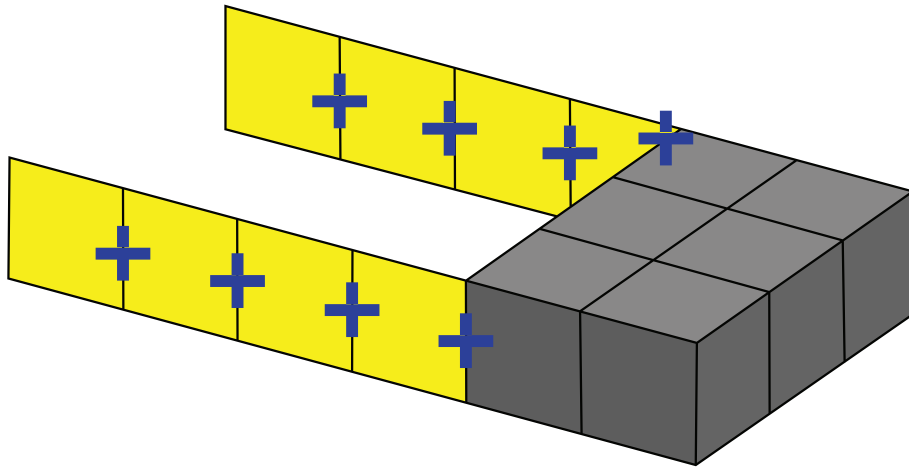
1



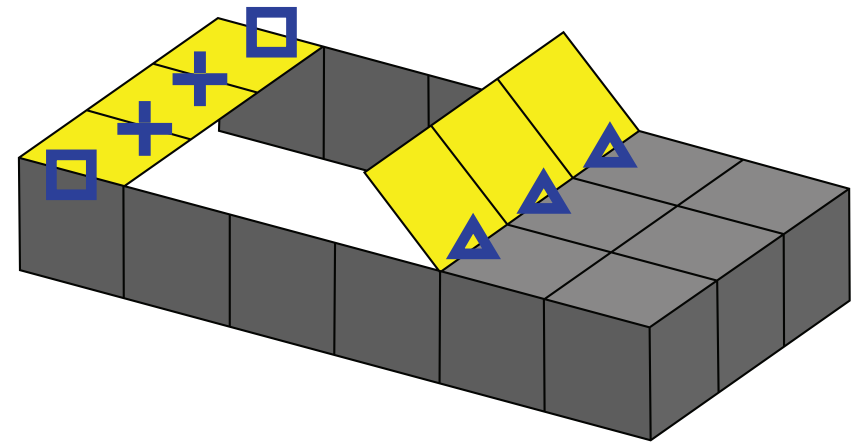
2



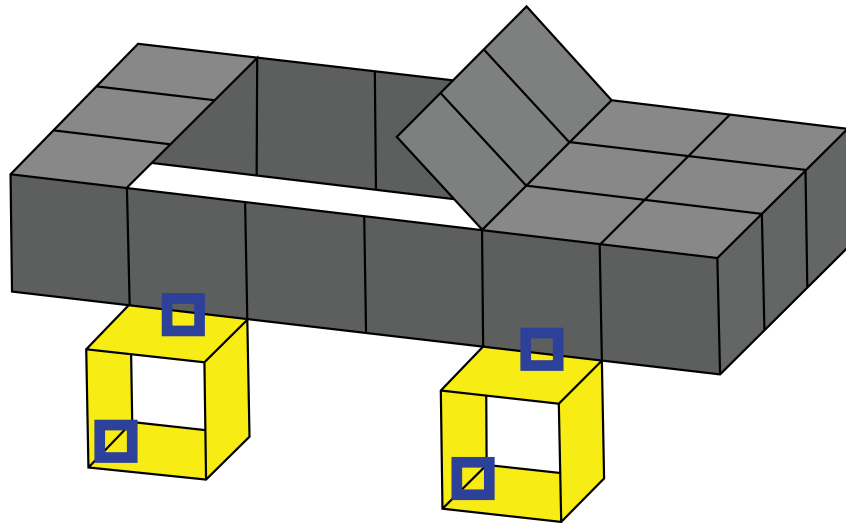
3



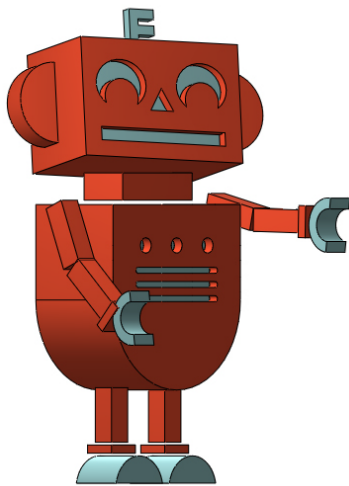
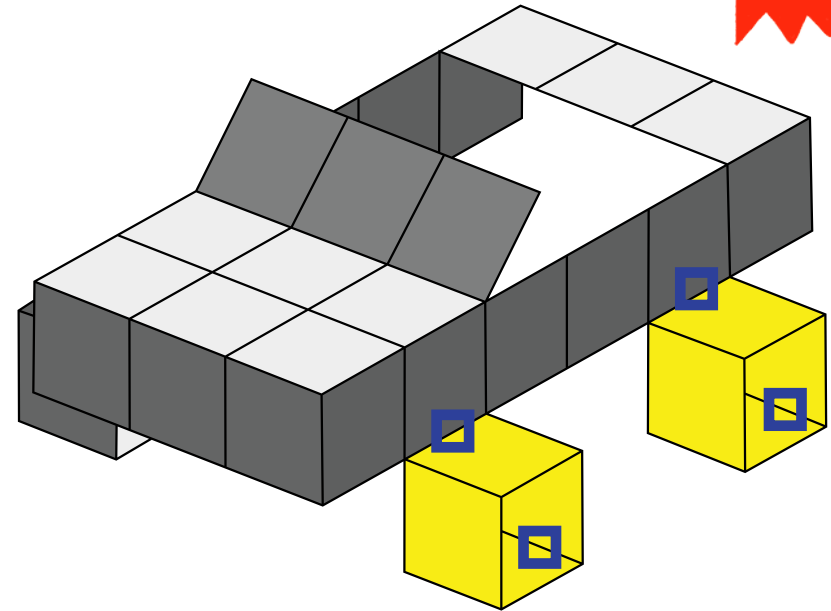
4



5



6



Whoa, sweet ride! What's she got under the hood? Just connectors? Cool, cool.

Can you make a sweeter hooptie than Fort-Bot? Send your best car photos to info@BoldlyPlayed.com or share on social media with the hashtag #FortFun.