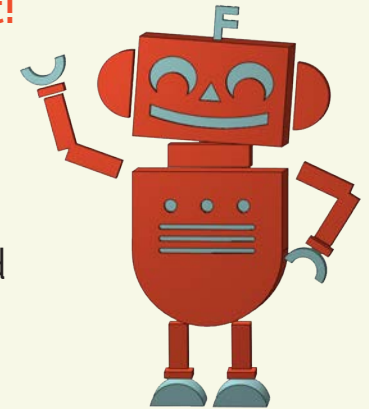


## 90° BUILD DIRECTIONS

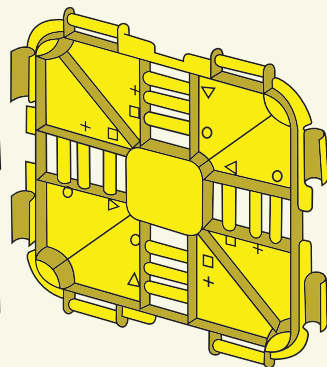
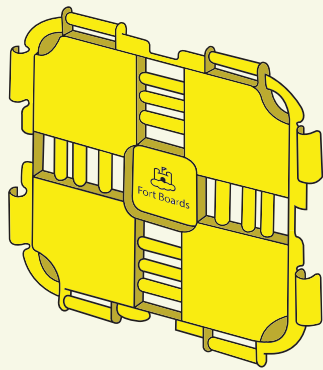
# Fort Boards®

Hi, I'm Fort Bot!  
I'll teach you  
how to make  
90 degree  
connections!  
You'll just need  
one Fort  
Boards Starter  
Pack.

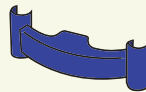


**Challenge Level: Easy**

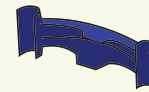
## Parts Overview



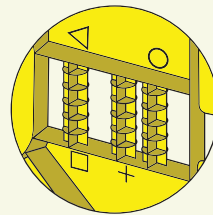
Board (back)



Connector (top)



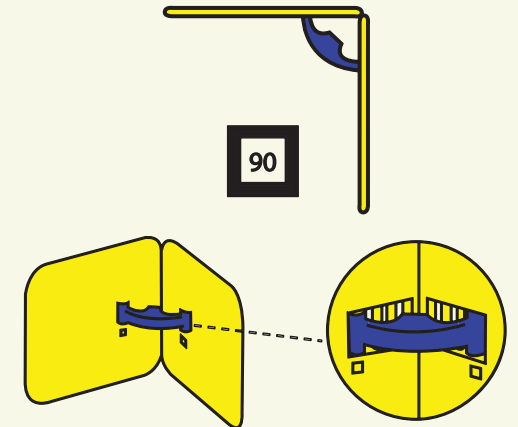
Connector (bottom)

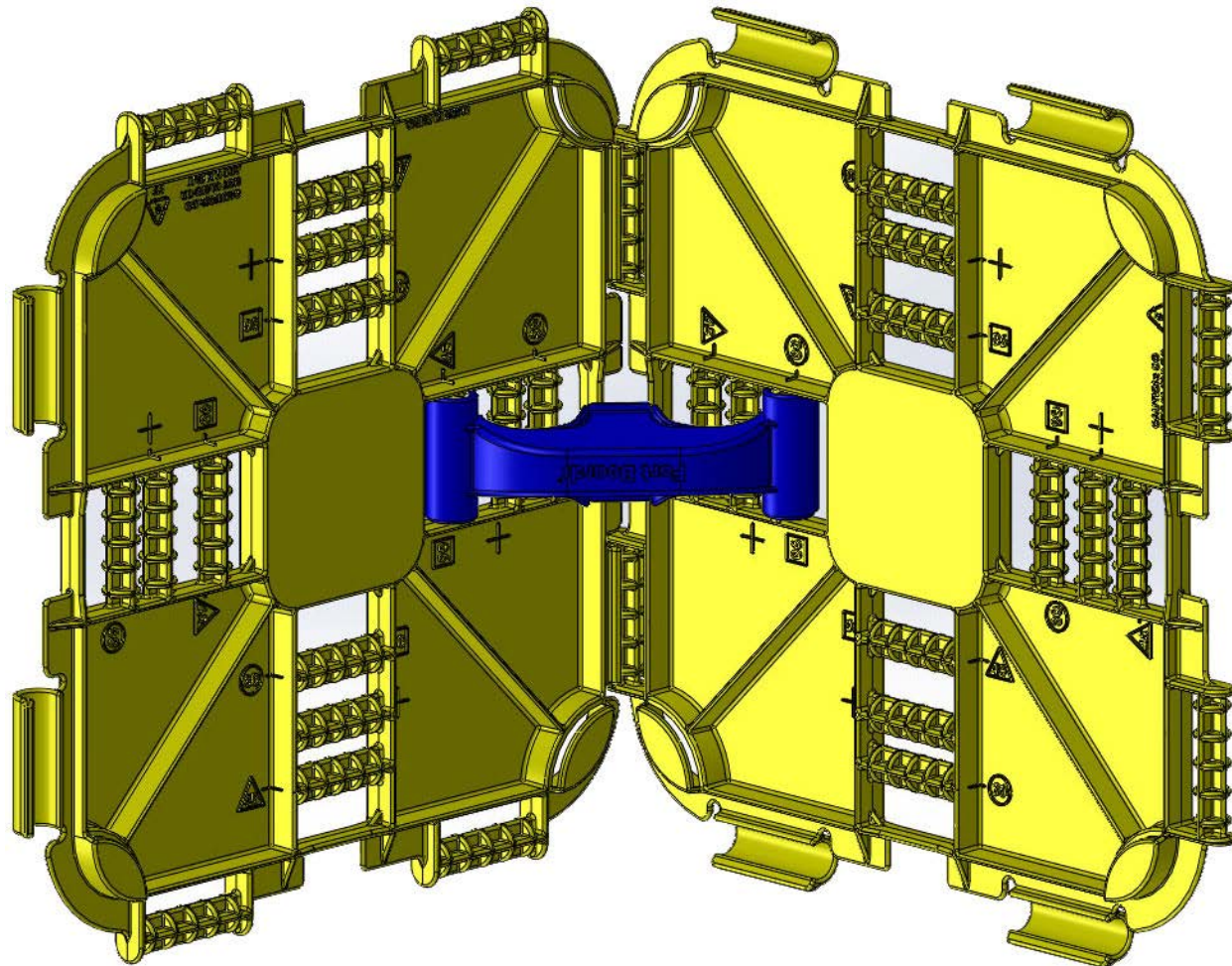


Board (detail)

Symbols on back  
of Board show  
where to attach  
Connector.

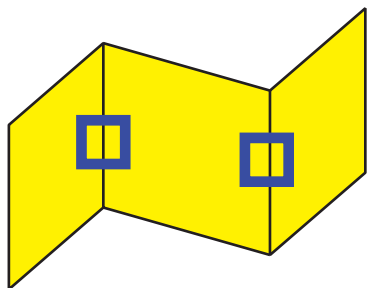
## 90° Connection



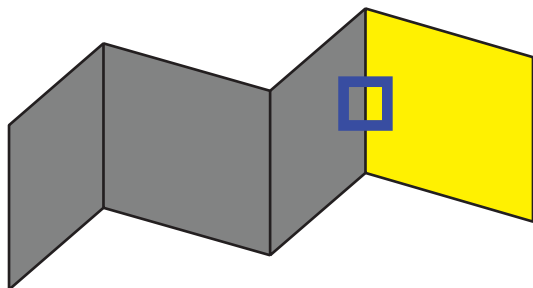


After attaching two Boards together (shown in yellow), attach a Connector (shown in blue) next to the 90° square symbols which can be seen on the back of the Boards.

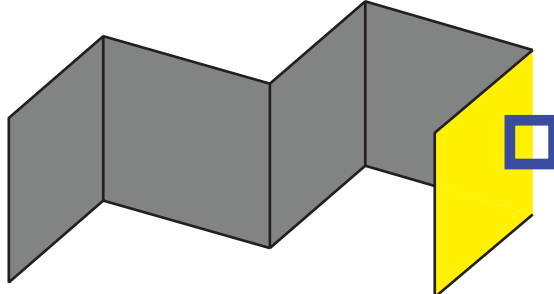
1



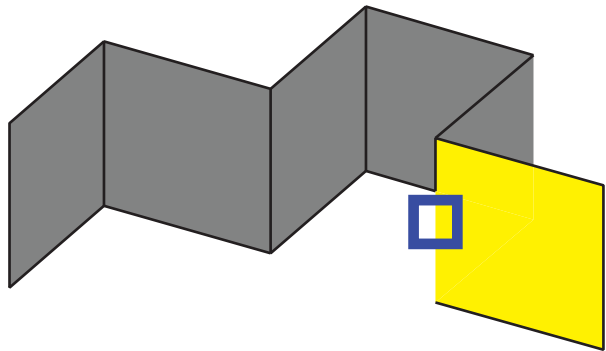
2



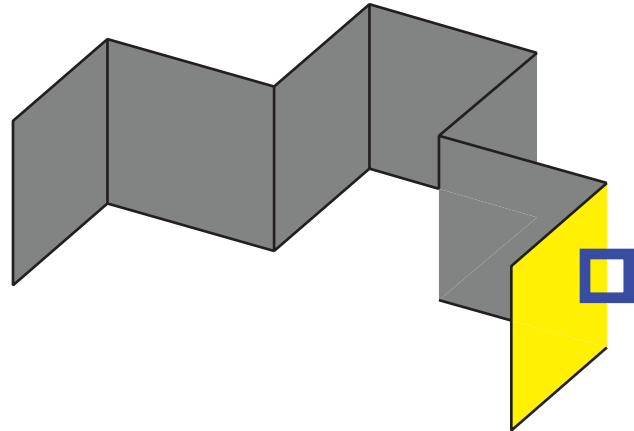
3



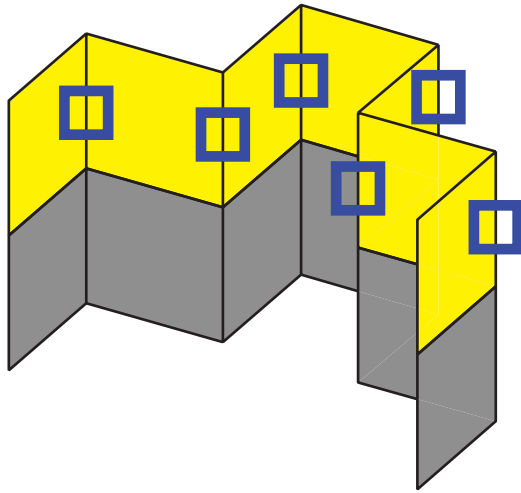
4



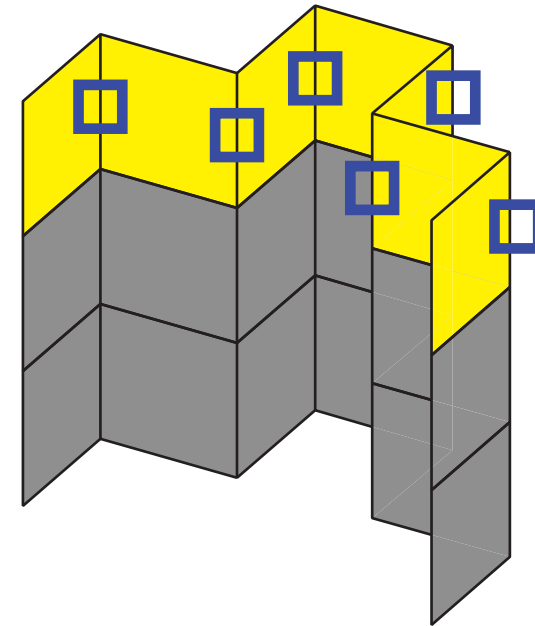
5



6



7



**Congrats; you're now a 90 degree black belt! All your training will soon pay off, young grasshopper.**

Share your fort genius with the world by tagging your fort photos with **#FortBoards**

