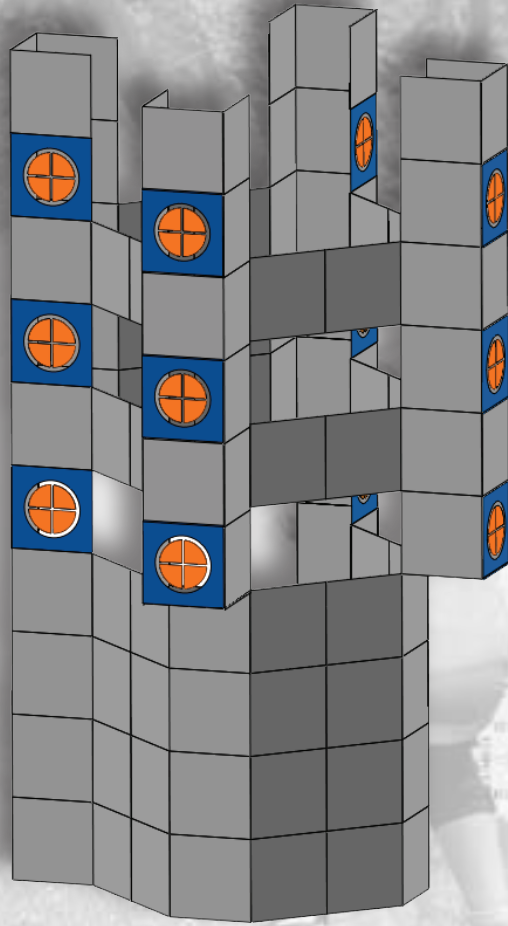


# BLASTER BOARDS®

Whoa, this is a challenging build!  
Are you sure you don't want to try  
an easier one first?



## BUILD DIRECTIONS

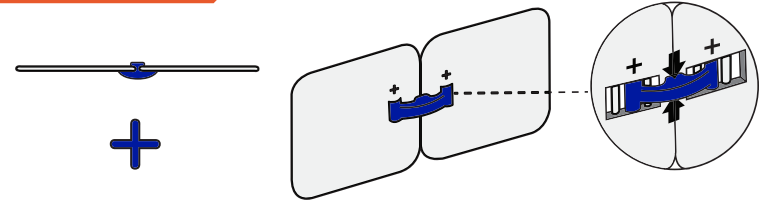
BUILD SIZE: [ 6 ] PACK/S

IDEAL FOR: [ X ] OPTIMAL COVERAGE  
[ ] OPTIMAL STRENGTH

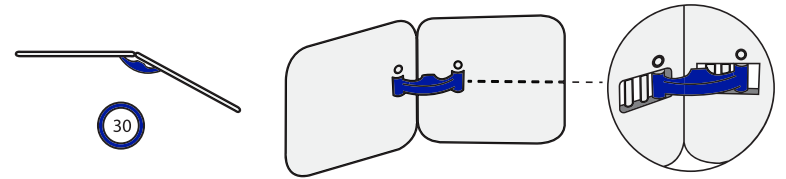
CAUTION: DO NOT CLIMB OR ADD WEIGHT ONTO  
BUILT STRUCTURES HIGHER THAN GROUND LEVEL.

[BLASTER-BOARDS.COM](http://BLASTER-BOARDS.COM)

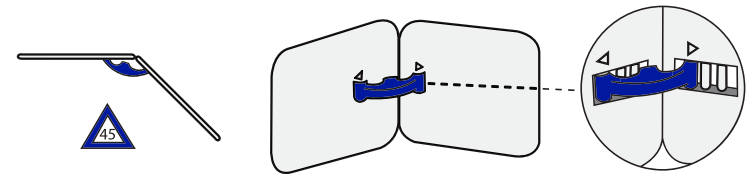
### Straight Connection



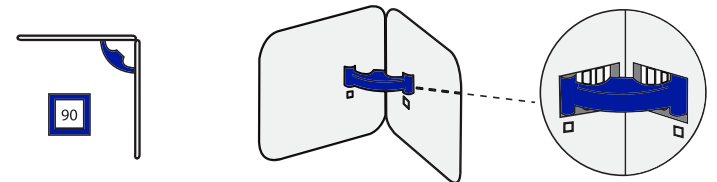
### 30° Connection



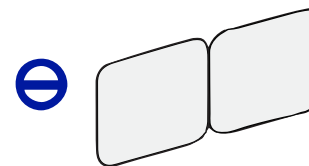
### 45° Connection



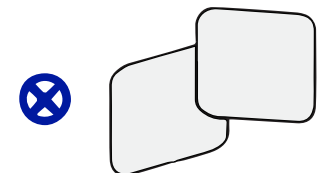
### 90° Connection

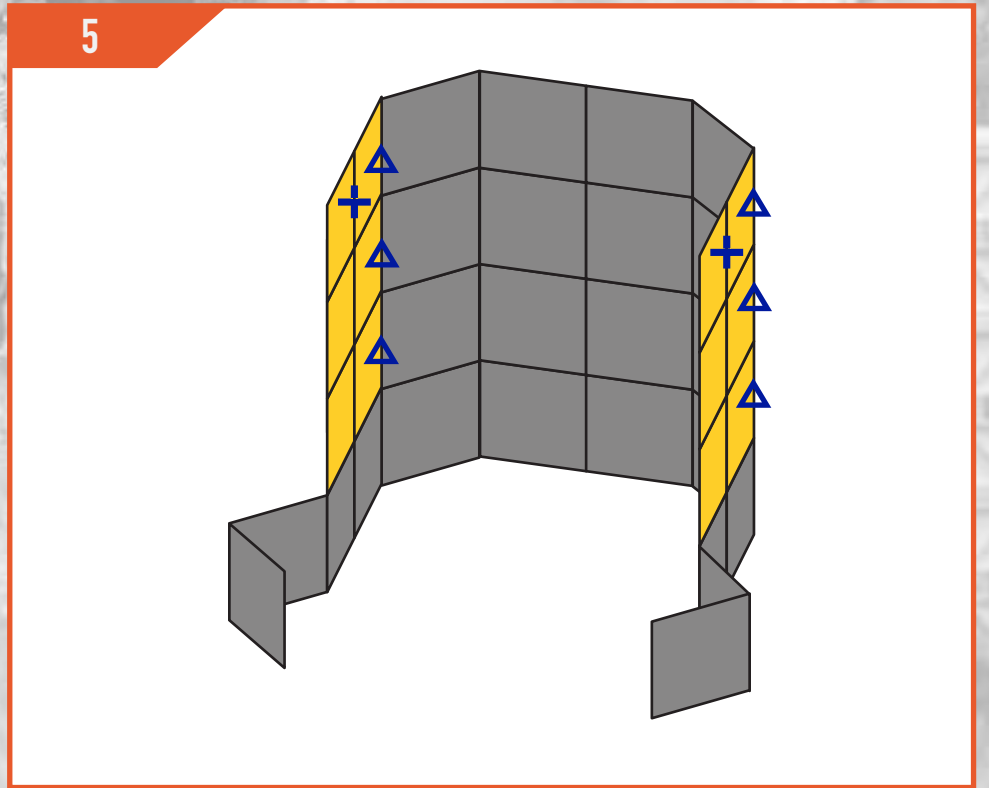
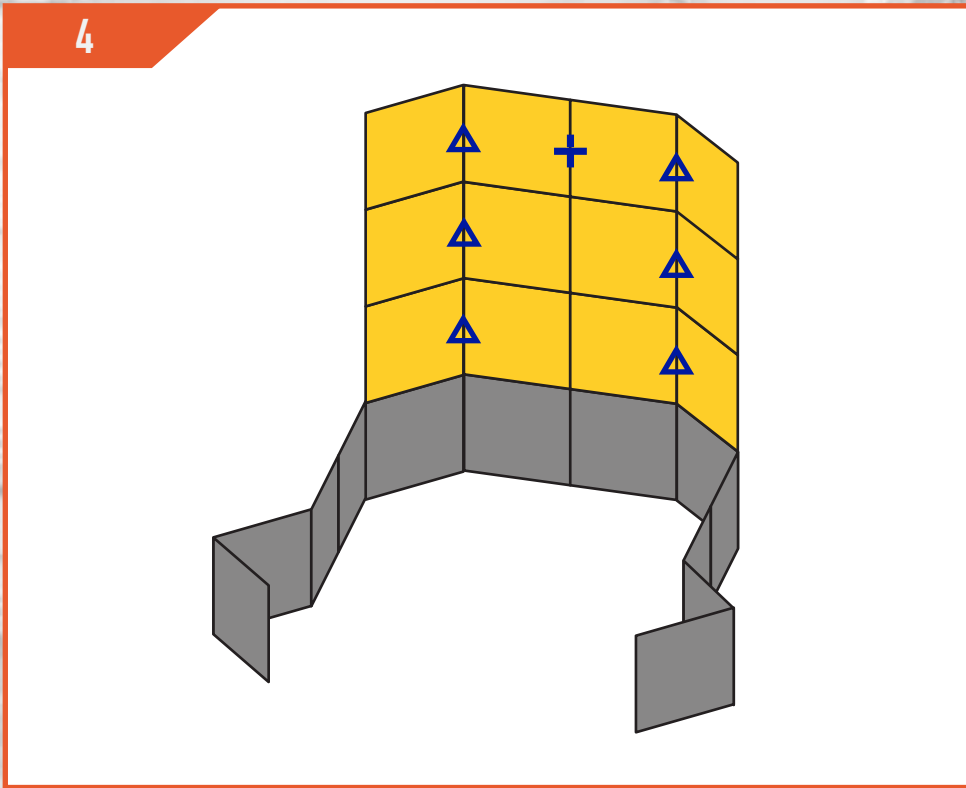
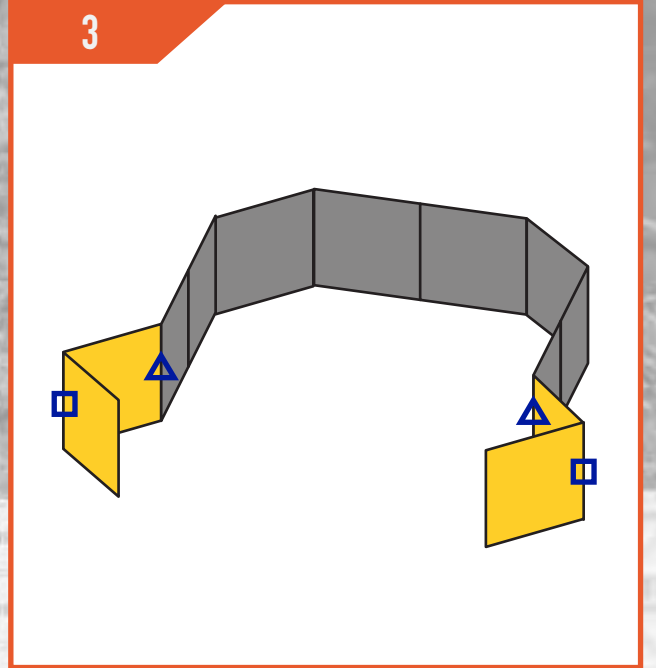
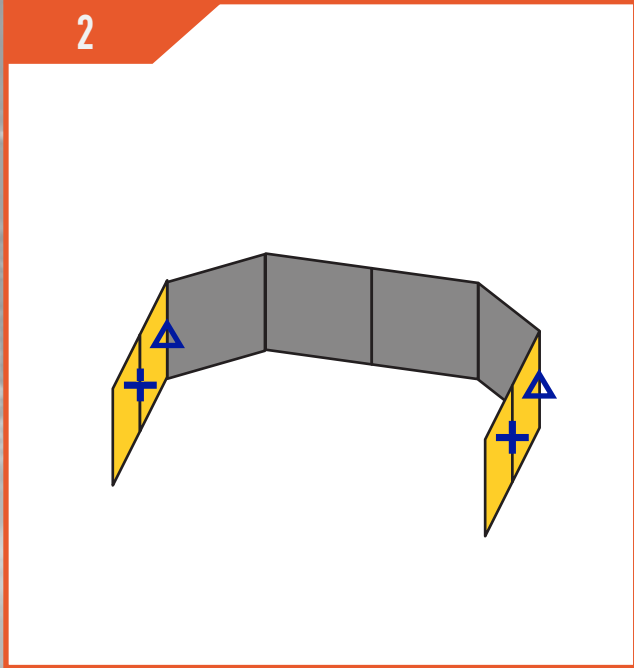
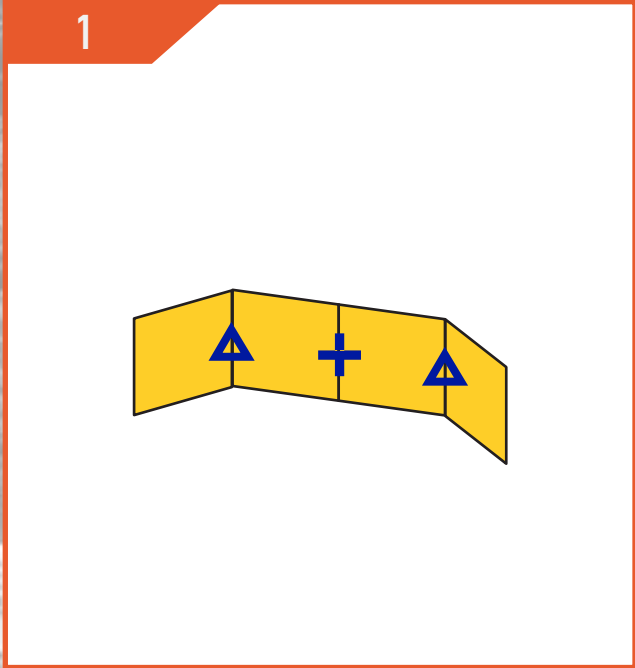


### No Connector

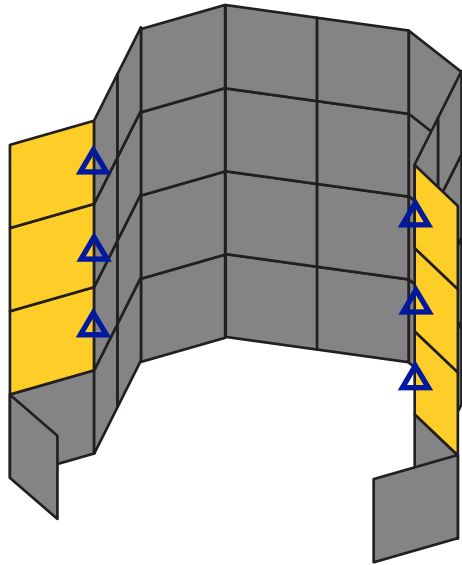


### Not Attached

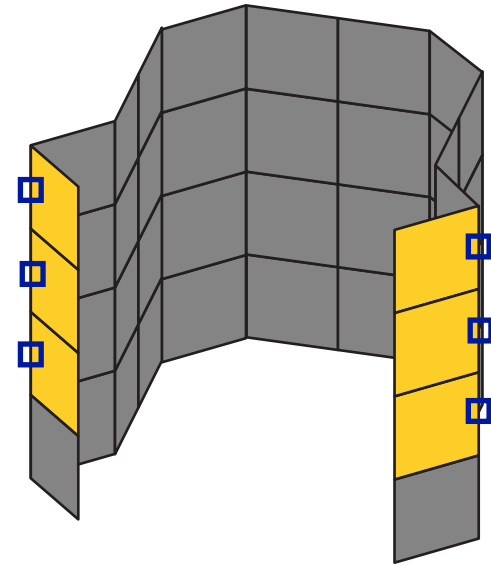




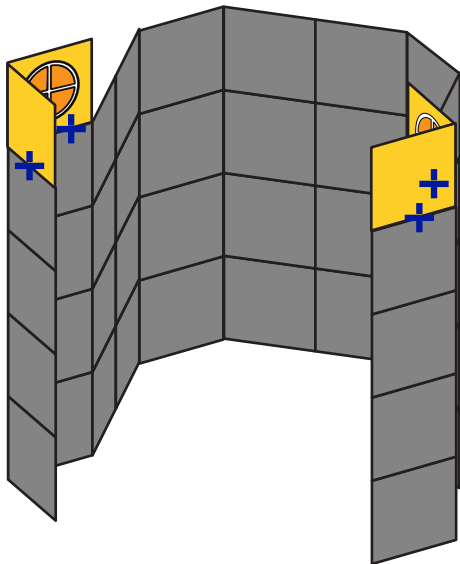
6



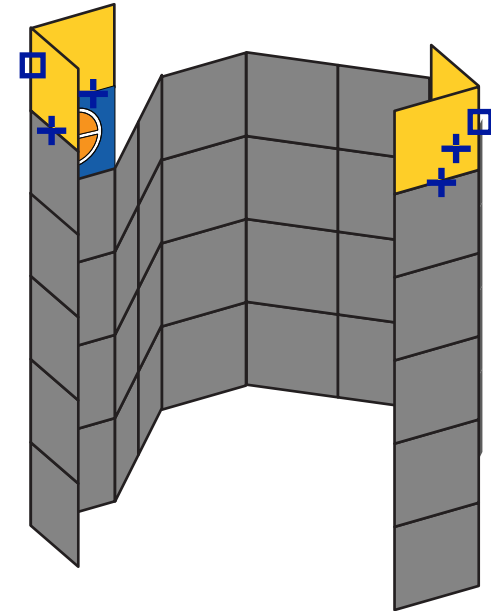
7



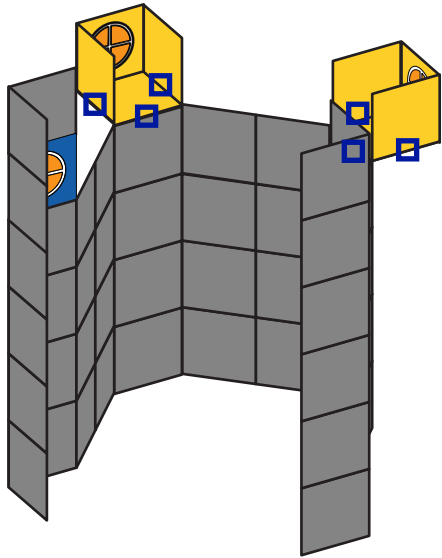
8



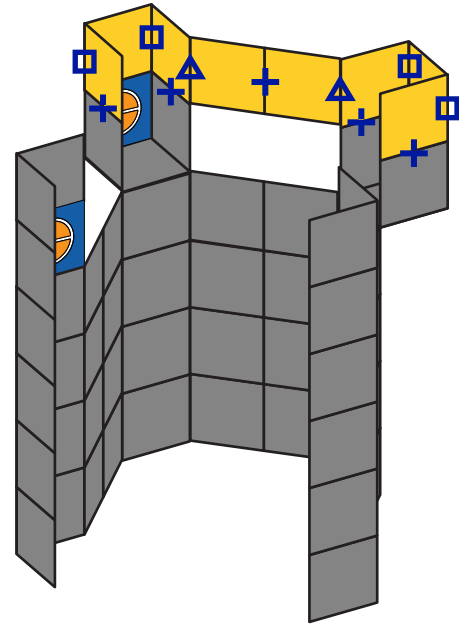
9



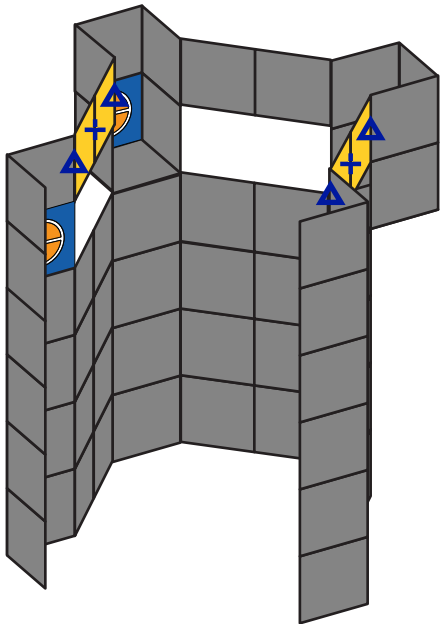
10



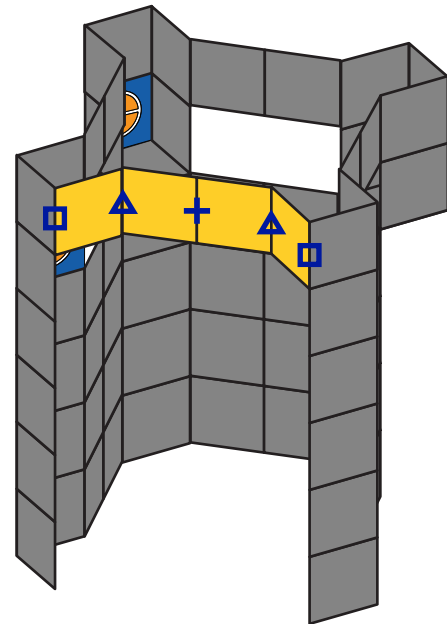
11



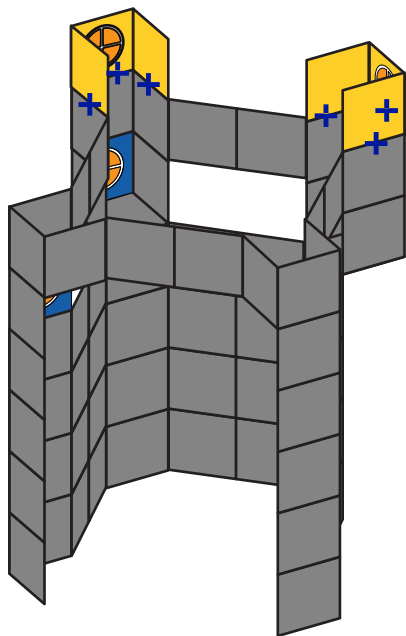
12



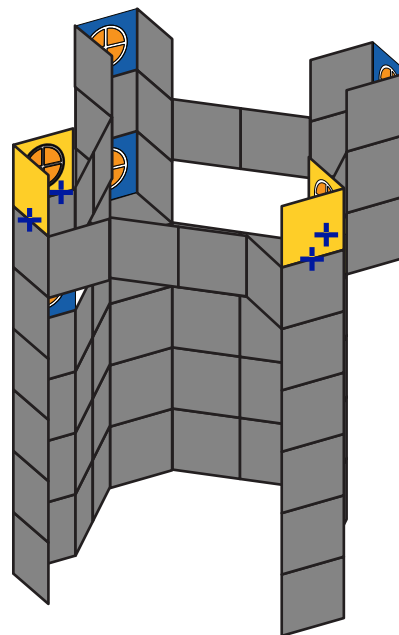
13



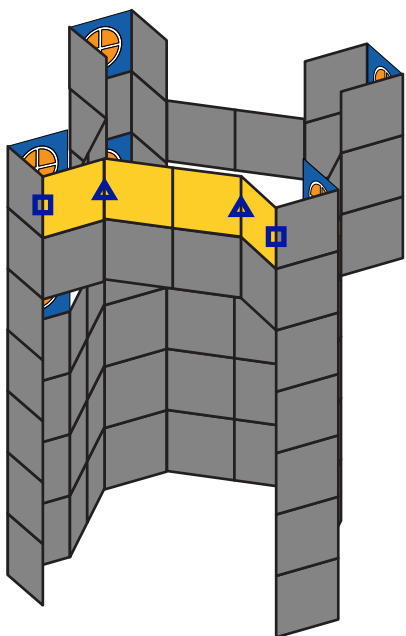
14



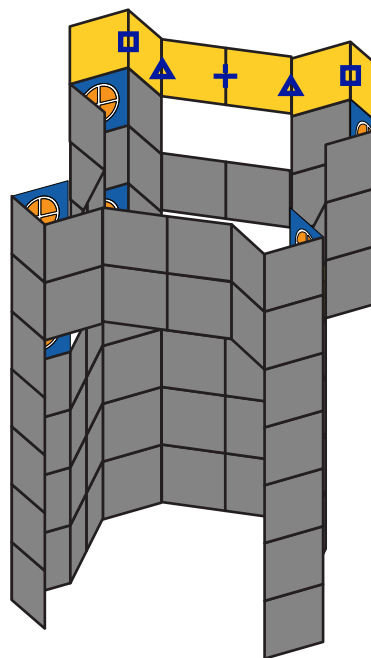
15



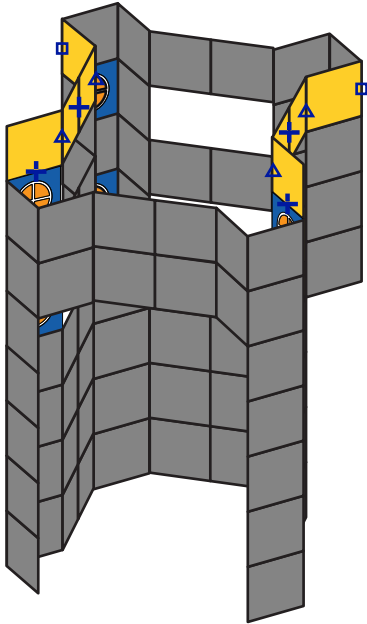
16



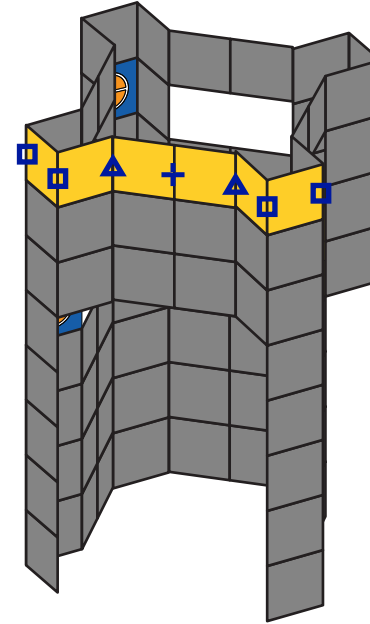
17



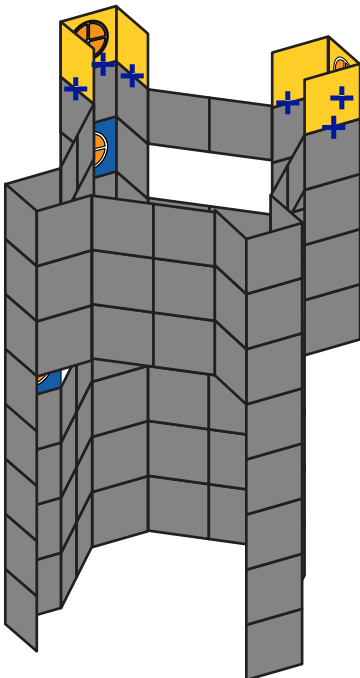
18



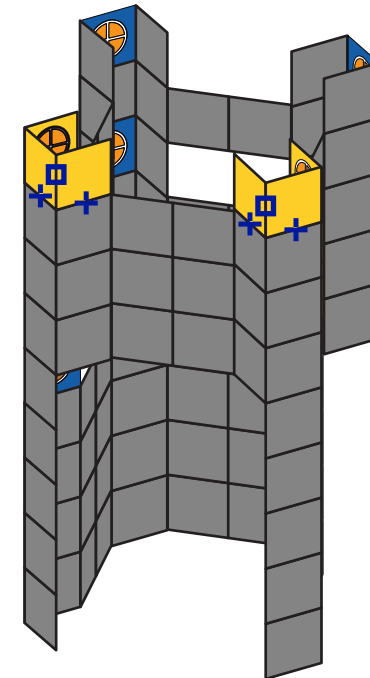
19



20

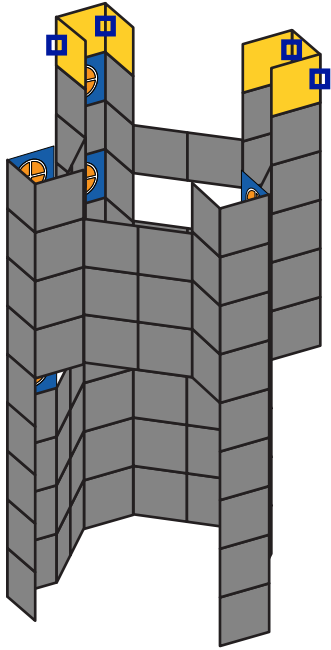


21

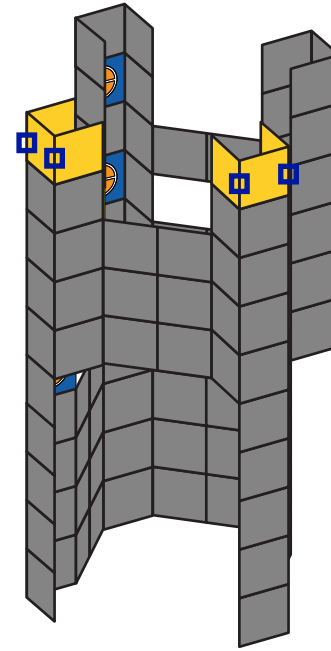




22



23



We love showing off your creativity!  
Tag your photos with: **#BlasterBoards**