

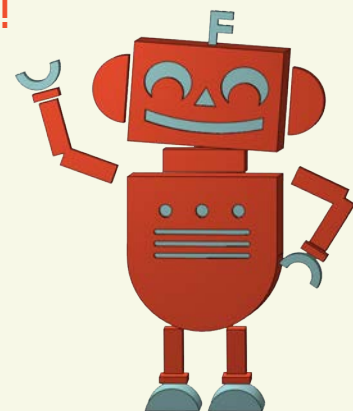
45° BUILD DIRECTIONS



Fort Boards®

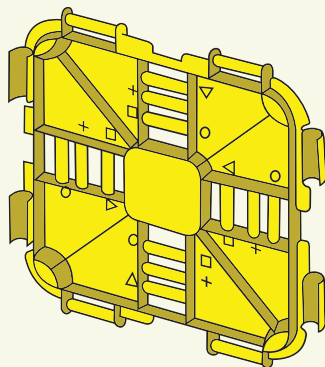
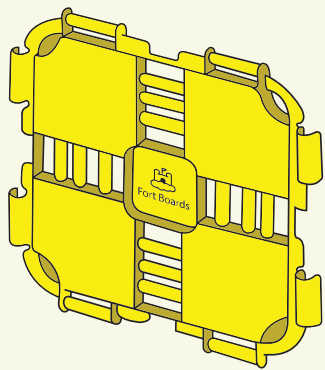
Hi, I'm Fort Bot!

I'll teach you how to make 45 degree connections! You'll just need one Fort Boards Starter Pack.

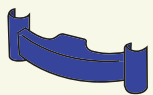


Challenge Level: Easy

Parts Overview



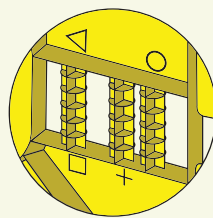
Board (back)



Connector (top)



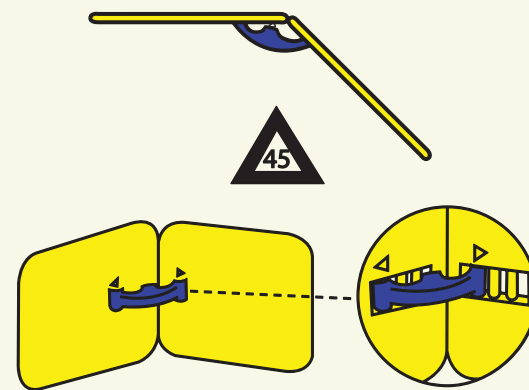
Connector (bottom)

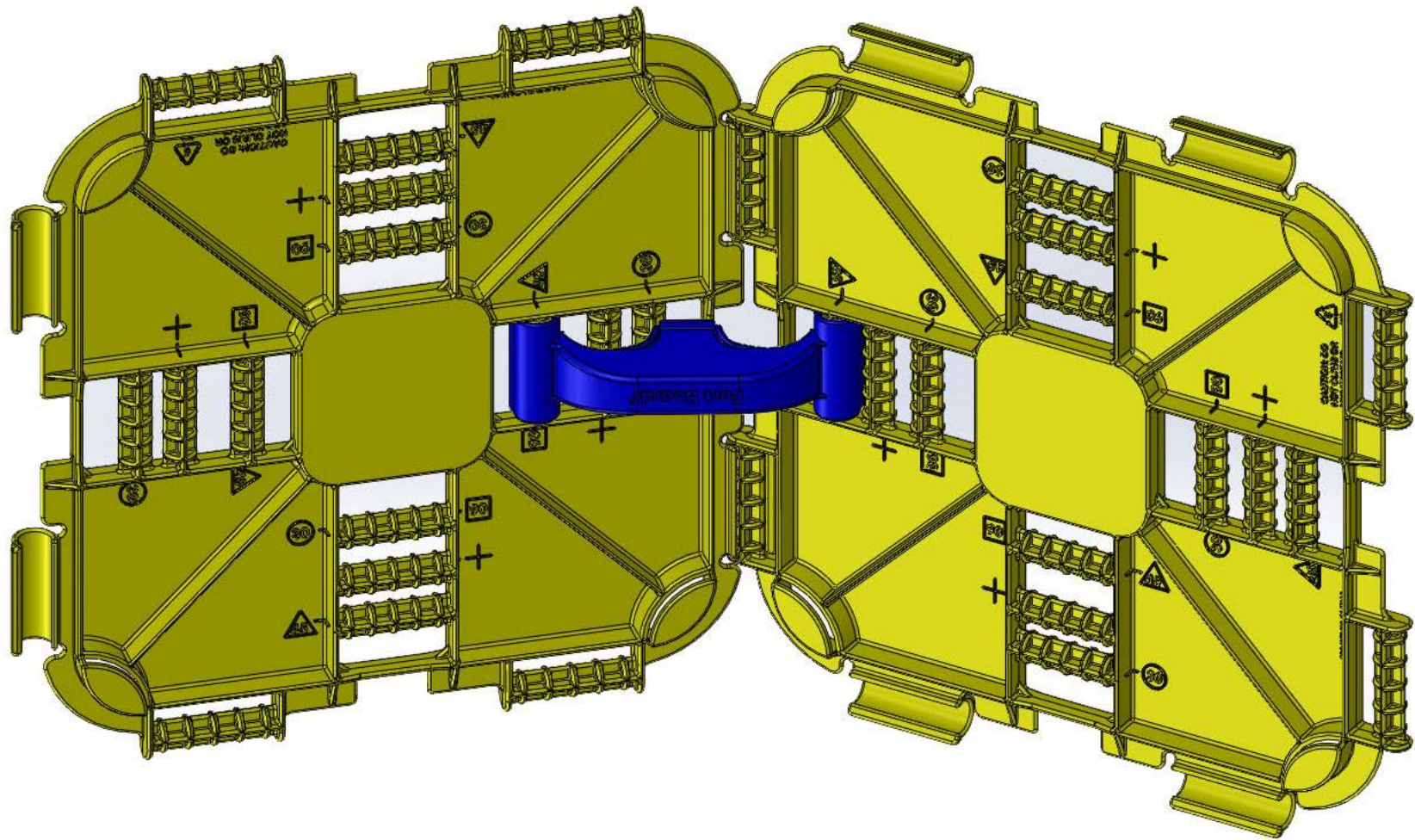


Board (detail)

Symbols on back of Board show where to attach Connector.

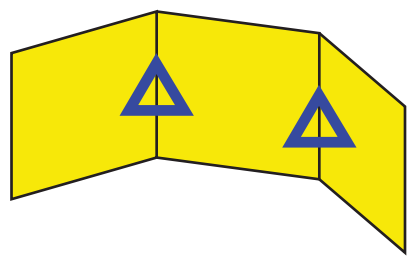
45° Connection



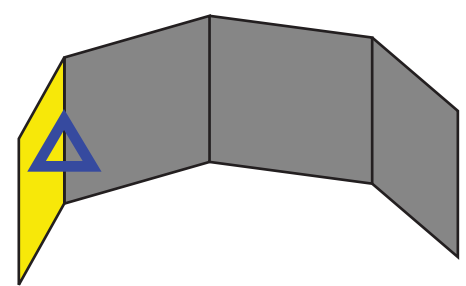


After attaching two Boards together (shown in yellow), attach a Connector (shown in blue) next to the 45° triangle symbols which can be seen on the back of the Boards.

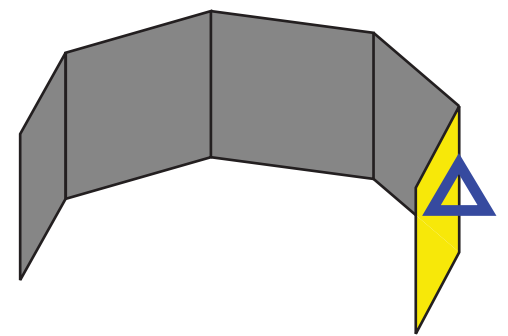
1



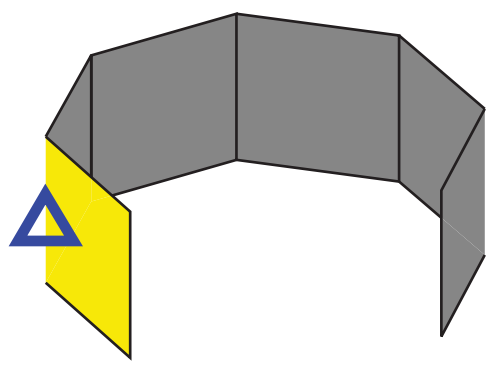
2



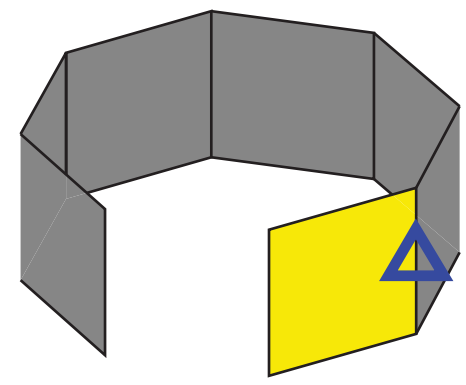
3



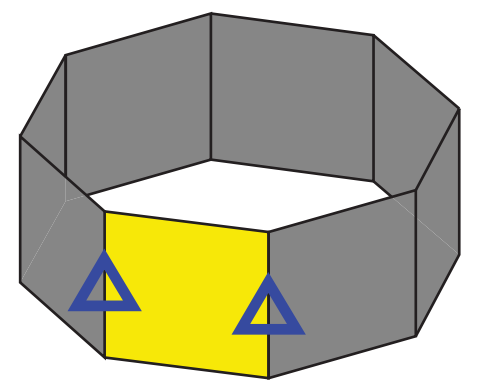
4



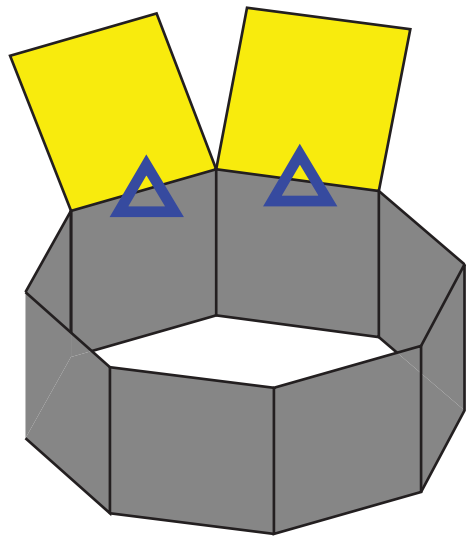
5



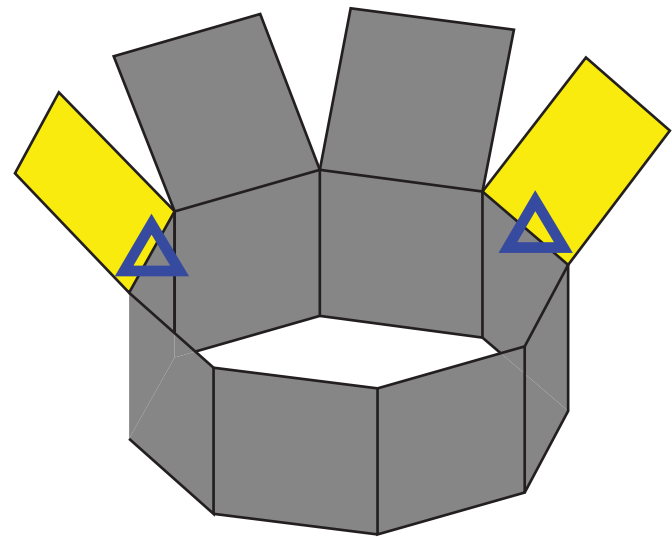
6



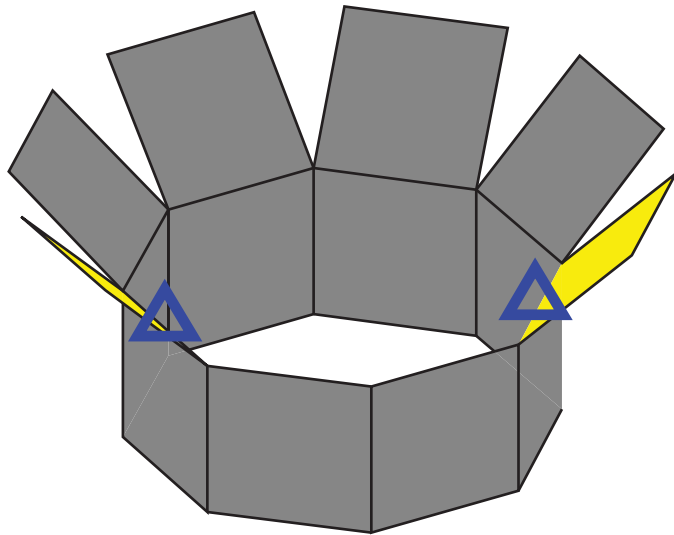
7



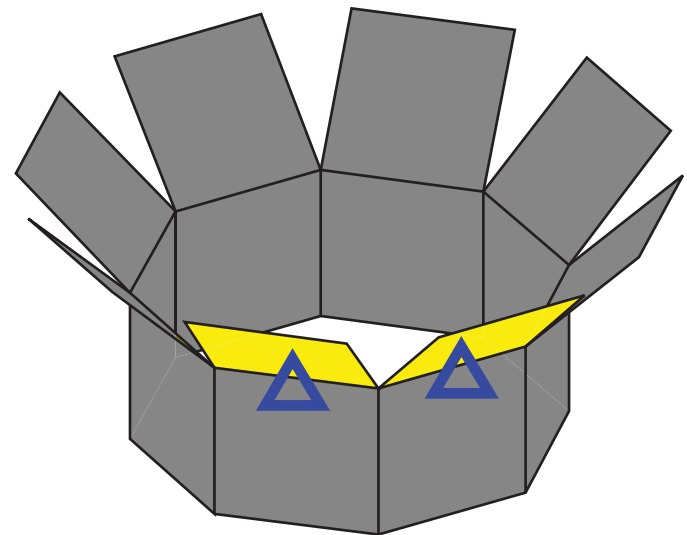
8



9



10



Bow to your sensei; you're now a 45 degree black belt!

Want to share your creative fort genius with the world? Tag your photos with **#FortBoards**

