

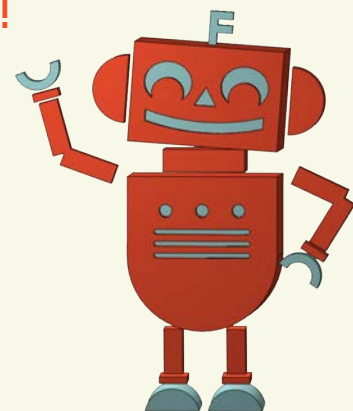


## 30° BUILD DIRECTIONS



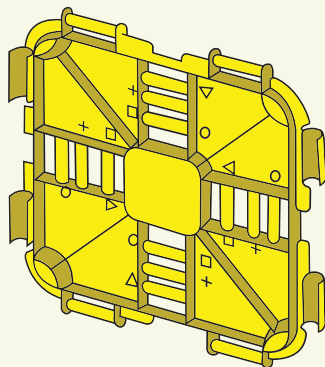
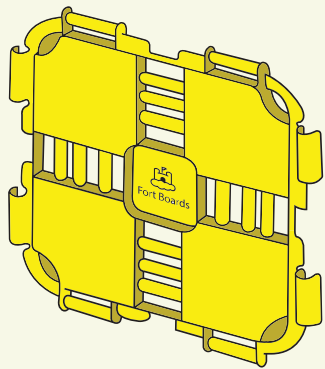
# Fort Boards®

Hi, I'm Fort Bot!  
I'll help you  
build a sibling  
trap today!  
You'll just need  
one Fort  
Boards Starter  
Pack.

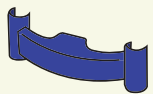


**Challenge Level: Easy**

## Parts Overview



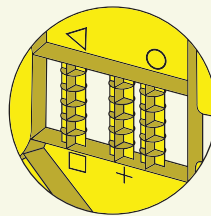
Board (back)



Connector (top)



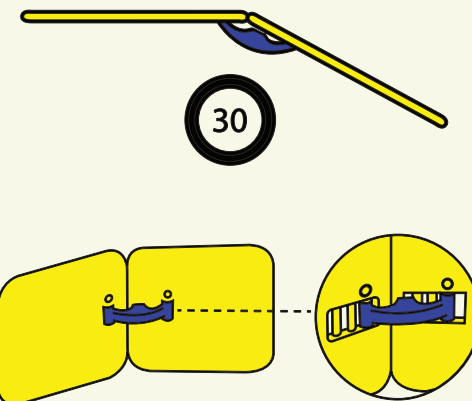
Connector (bottom)

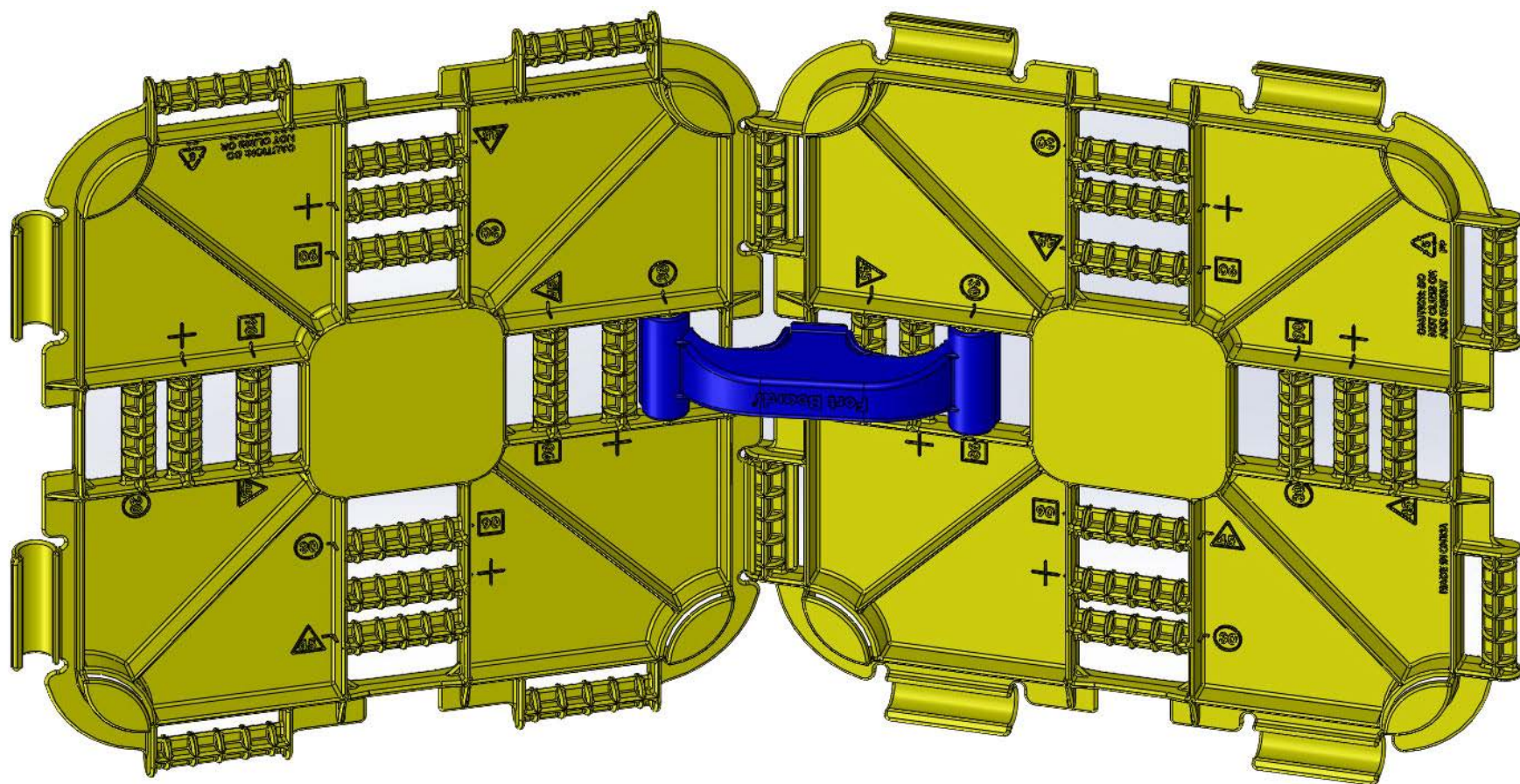


Board (detail)

Symbols on back  
of Board show  
where to attach  
Connector.

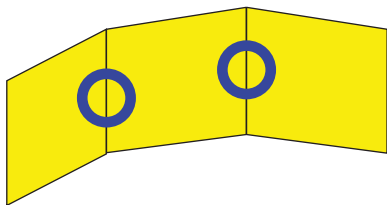
## 30° Connection



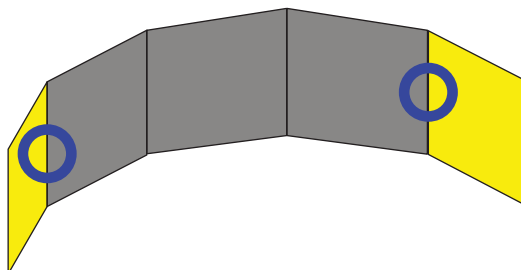


After attaching two Boards together (shown in yellow), attach a Connector (shown in blue) next to the 30° circle symbols which can be seen on the back of the Boards.

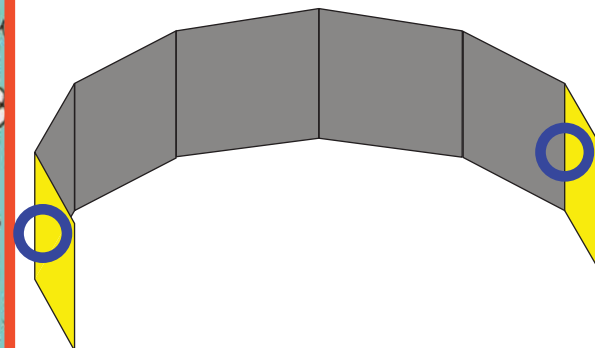
1



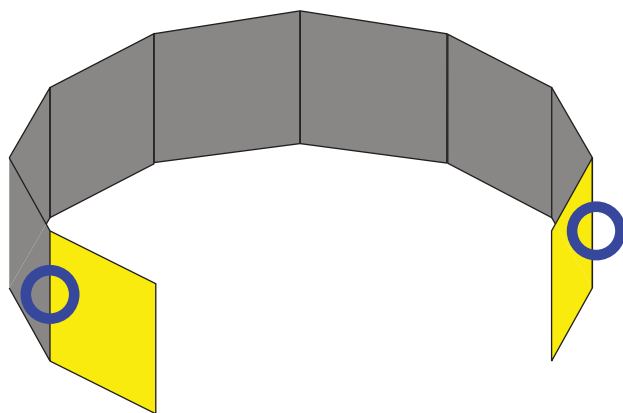
2



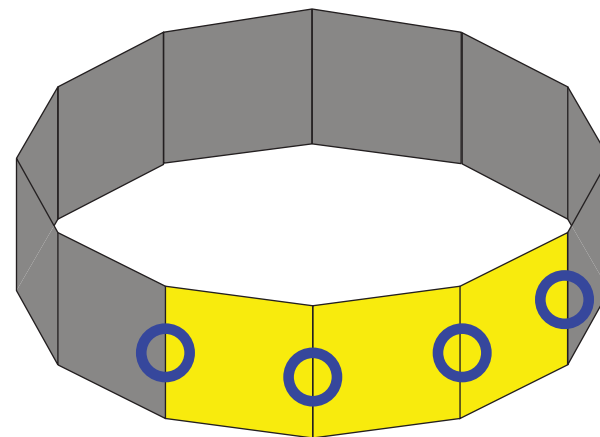
3



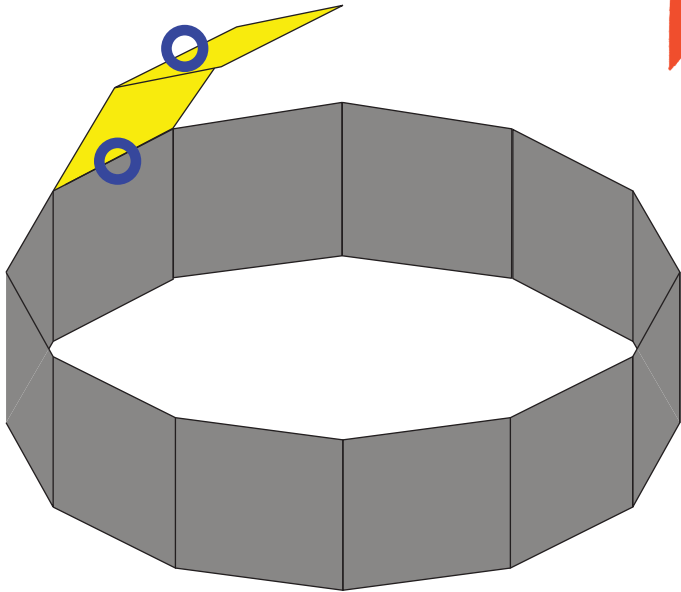
4



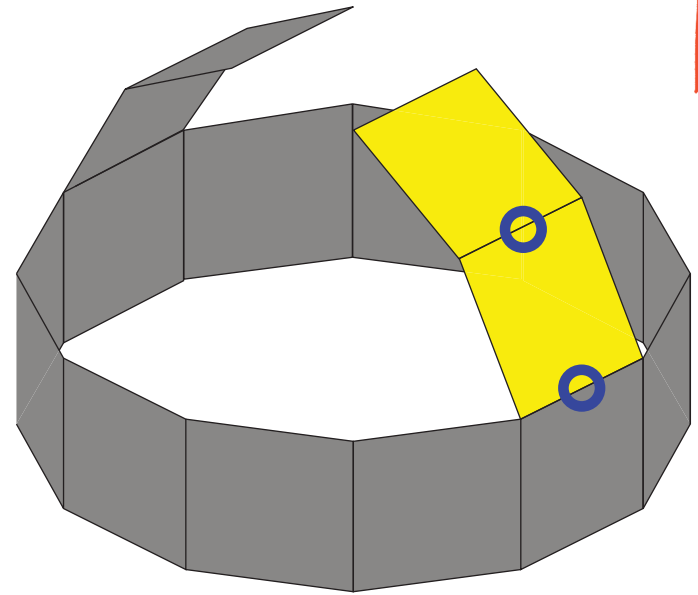
5



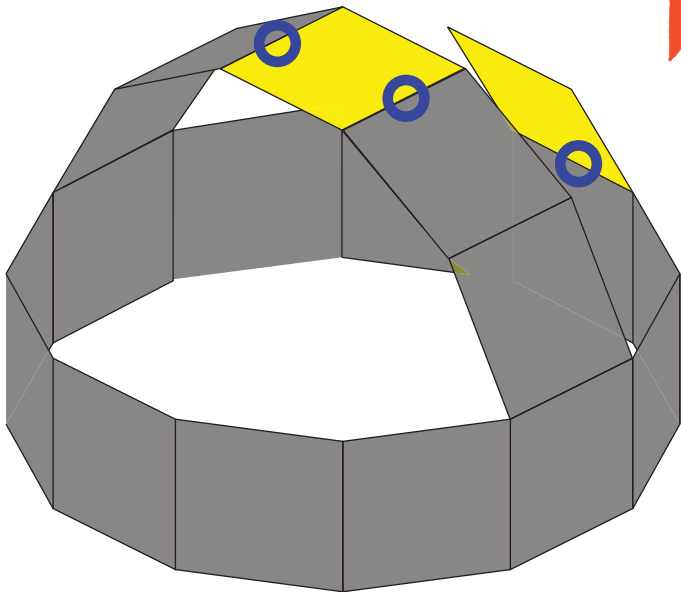
6



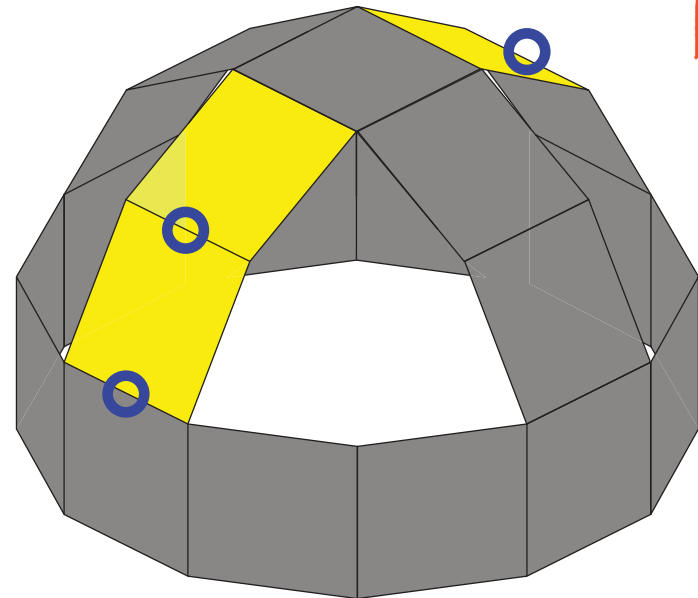
7



8



9



**Bow to your sensei; you're now a 30 degree black belt!**

Want to share your creative fort genius with the world? Tag your photos with **#FortBoards**

