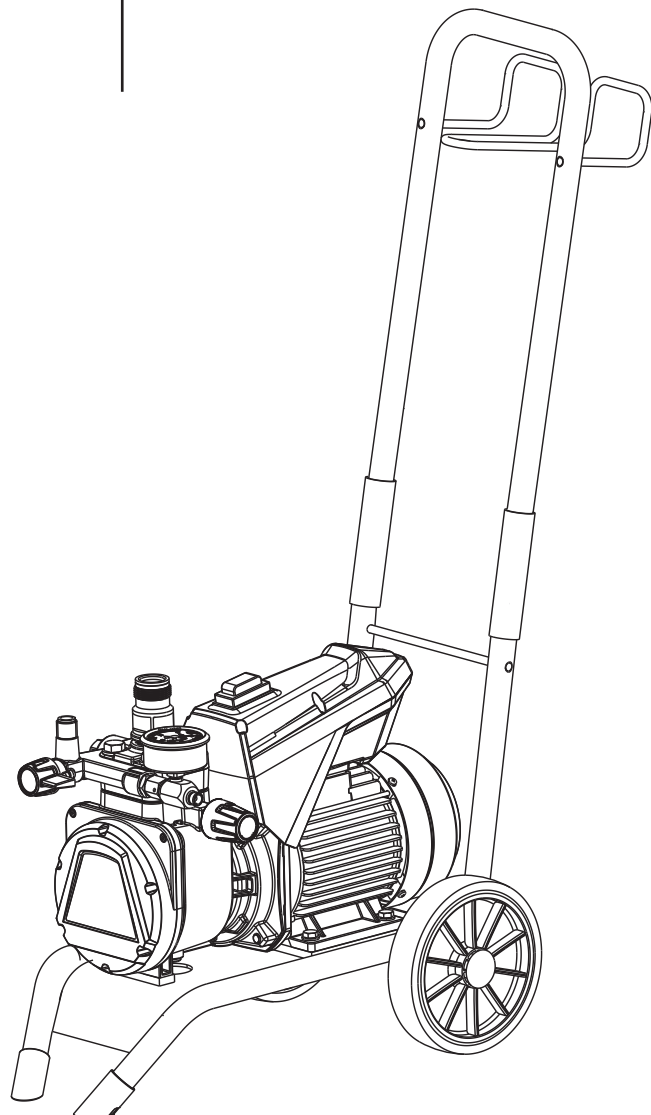


WAGNER

**Service manual
with electrical repair instructions
for electrically instructed persons
of the J. Wagner GmbH**

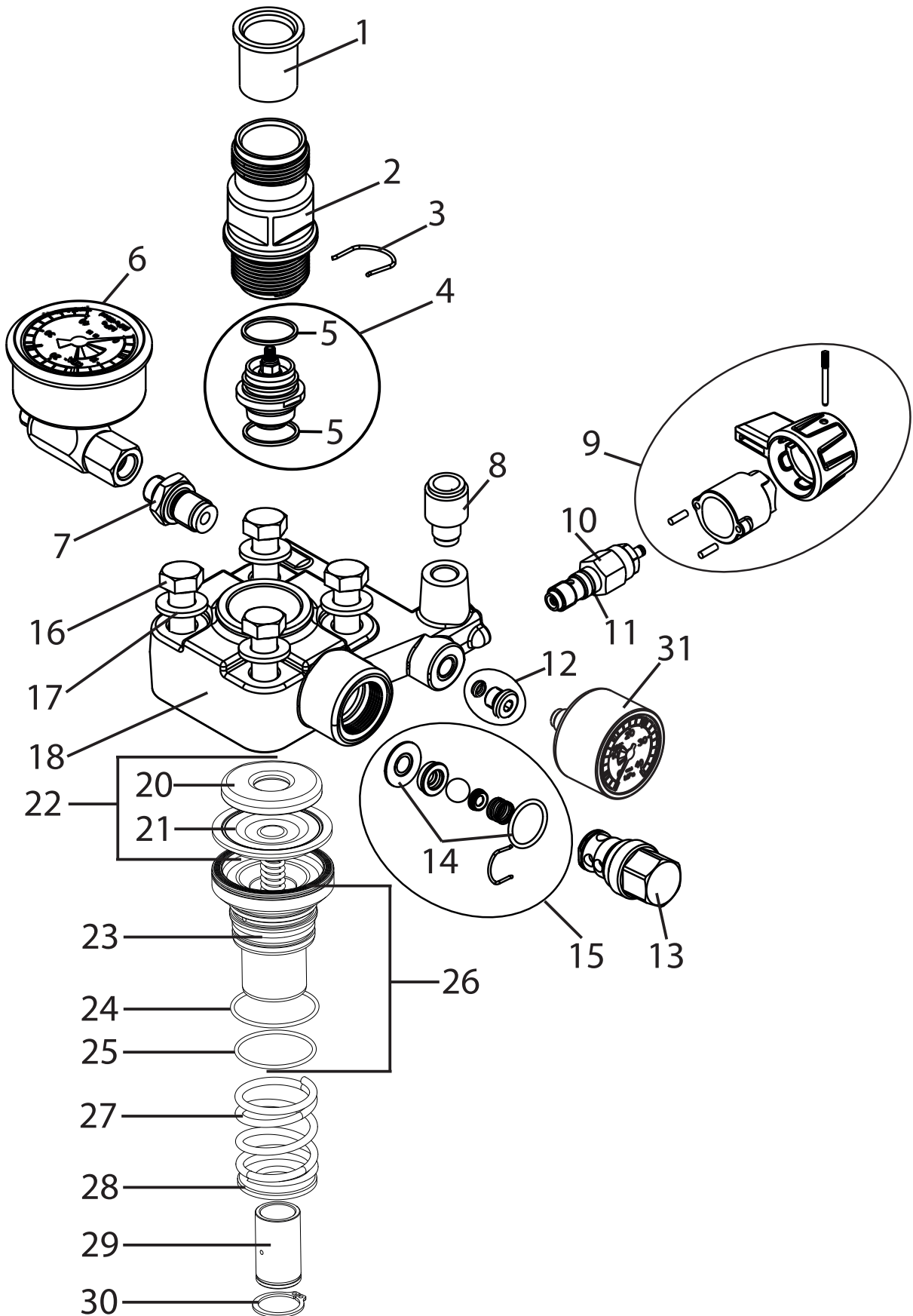
**HERO 23D
HERO 23
SF 23 PRO**



4 SPARE PARTS

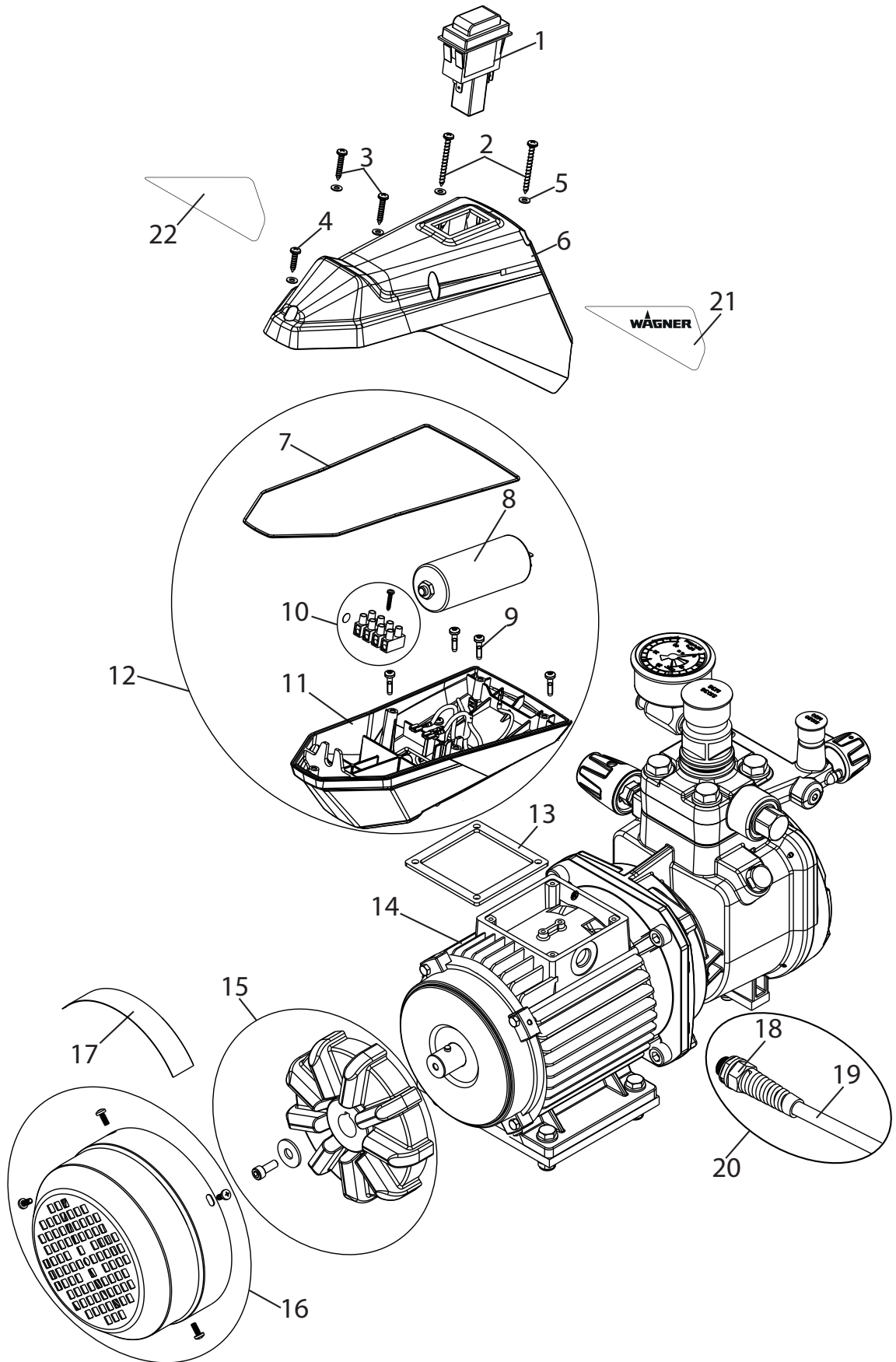
4.1 SPARE PARTS HERO 23D, HERO 23, SF 23 PRO

ITEM	ORDER NO.	DESIGNATION
1	2369454	Inlet
2	2388291	Inlet valve housing
3	2369455	Clamp
4	2393043	Inlet valve assy. (incl. pos. 4)
5	2369458	Sealing ring
6	2383995 0340257	Pressure gauge assy. (China, Japan) Pressure gauge assy. (AUS)
7	2369436	Reducing double nipple
8	2369586	Fitting
9	2393047	Pressure relief knob assy.
10	2369631	Pressure relief valve (incl. pos. 11)
11	9971395	O-ring
12	2393049	Sealing ring and locking screw
13	2393102	Outlet valve housing assy.
14	2393105	O-ring and sealing ring
15	2393106	Outlet valve assy. (incl. pos. 14)
16	9900217	Hexagon head screw
17	9920134	Washer
18	2369435	Paint head
19	2393137	Service kit paint head (pos 16-18)
20	2369432	Inlet
21	2369431	Diaphragm assy.
22	2393138	Service kit diaphragm (pos 20-21)
23	2369422	Pressure inlet
24	2337112	O-ring
25	2337113	O-ring
26	2393139	Service kit pressure inlet (Pos. 21-23)
27	2369425	Compression spring
28	3061423	Washer
29	2369424	Piston
30	2337078	Retaining ring
31	0252475	Pressure gauge assy. (CE)



SPARE PARTS

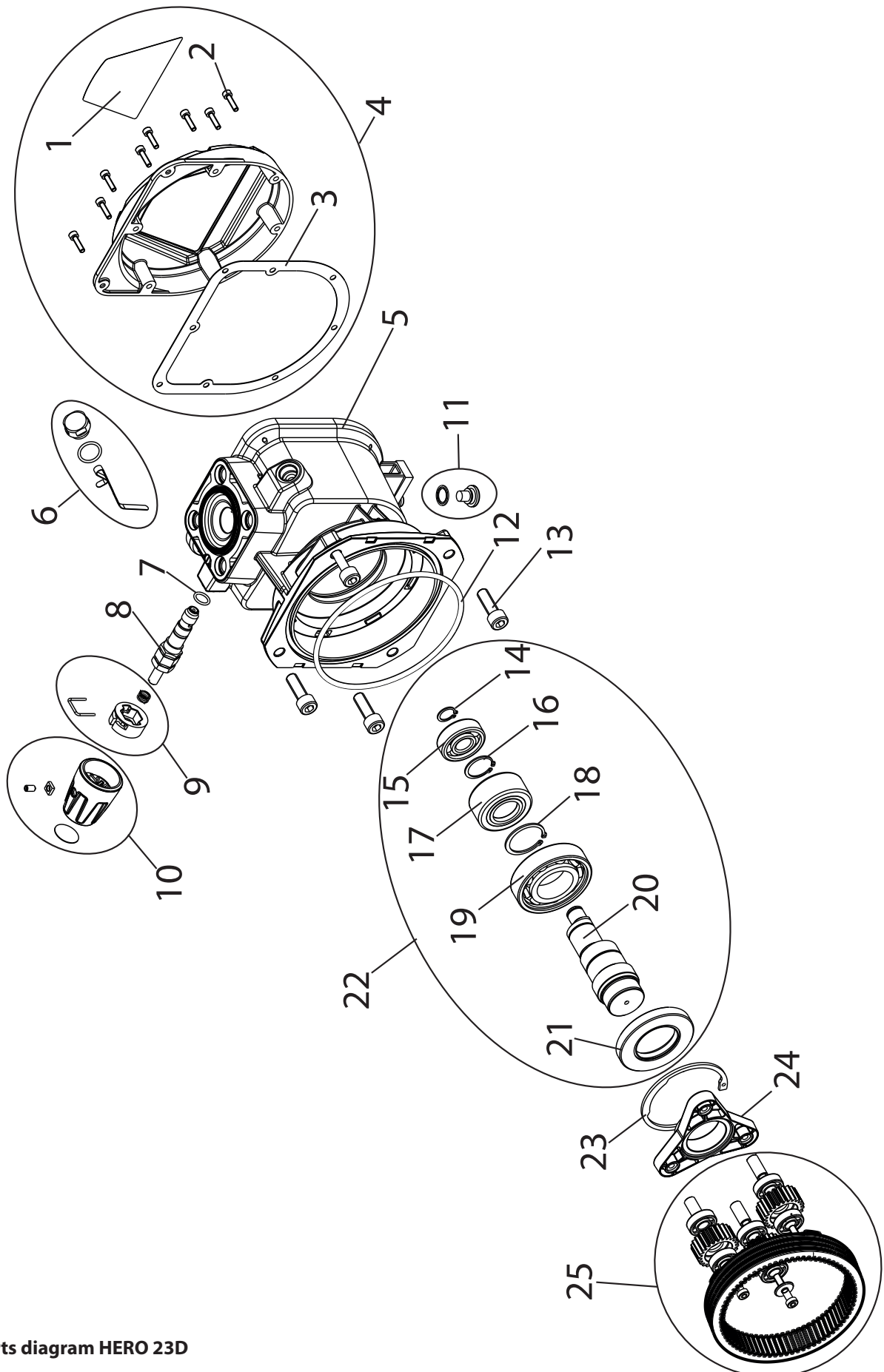
ITEM	ORDER NO.	DESIGNATION
1	9953696 9953681	Motor protection switch (China, CE, AUS) Motor protection switch (Japan, Taiwan)
2	2393002	Oval-head tapping screw 4,2 x 45 (2 pcs.)
3	2393003	Oval-head tapping screw 4,2 x 25 (2 pcs.)
4	2388381	Oval-head tapping screw 4,2 x 22
5	2388377	Washer
6	2369533	Cover
7	2304608	Round cord
8	2393015 2393240 2400735	Capacitor 25uF 400V assy. (China, CE, AUS) Capacitor 100uF 400V assy. (Japan) Capacitor 80uF 250V assy. (Taiwan)
9	2393018	Oval-head screw M4x18 (4 pcs.)
10	2393029	Terminal strip assy.
11	2369520	Terminal box
12	2393035	Terminal box assy. (pos. 7-11)
13	2369517	Motor seal
14	2369513 2393242 2401124	Electric motor 230V China, CE, AUS (incl. pos 15-16) Electric motor 100V Japan (incl. pos 15-16) Electric motor 110V Taiwan (incl. pos 15-16)
15	2393105	Fan assy.
16	2393109	Fan cover assy.
17	2390886 2393235 2393273 2399193 2401123	Rating label Hero 23D (China) Rating label Hero 23 (Japan) Rating label Hero 23 (CE) Rating label SF 23 Pro (CE/AUS) Rating label Hero 23 (Taiwan)
18	2388374	Cable gland
19	2388383 2393241 2394776 0341520 2400736	Mains cable (China) Mains cable (Japan) Mains cable (CE) Mains cable (AUS) Mains cable (Taiwan)
20	2393107 2399031 2400157 2400156 2400737	Mains cable assy. China (pos 18-19) Mains cable assy. Japan (pos 18-19) Mains cable assy. CE (pos 18-19) Mains cable assy. AUS (pos 18-19) Mains cable assy. Taiwan (pos 18-19)
21	2398994	Wagner Label right side (only SF 23 Pro)
22	2398998	Wagner Label left side (only SF 23 Pro)



Spare parts diagram HERO 23D

SPARE PARTS

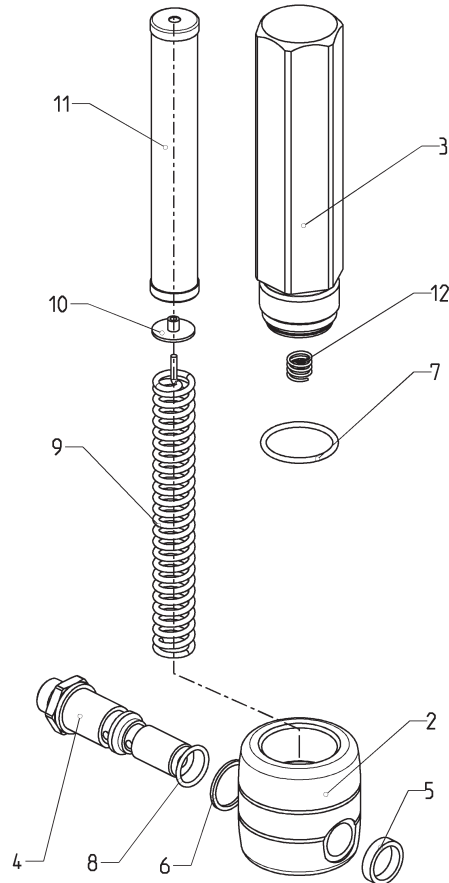
ITEM	ORDER NO.	DESIGNATION
1	2389640 2398248 2393275	Label HERO 23D Label SF 23 Pro Label HERO 23
2	2393126	Socket head screw (8 pcs.)
3	2369493	Seal
4	2393127	Front cover assy.
5	2388471	Hydraulic housing
6	2393044	Oil cap screw assy.
7	9971365	O-ring
8	2369477	Regulating unit assy. (incl. pos. 7)
9	2393130	Stop bushing assy.
10	2393131	Pressure control knob assy.
11	2393132	Sealing screw and seal
12	2391115	O-ring
13	2393133	Socket head screw (4 Stk.)
14	9998144	Retaining ring
15	9960113	Deep groove ball bearings
16	9922506	Retaining ring
17	9960431	Roller bearings
18	9922518	Retaining ring
19	9960151	Deep groove ball bearings
20	2369378	Eccentric shaft
21	9970532	Shaft seal
22	2369380	Eccentric shaft assy. (pos 15-21)
23	3056464	Retaining ring
24	2369384	Planetary carrier
25	2393134	Service kit planetary gear



Spare parts diagram HERO 23D

4.2 SPARE PARTS LIST HIGH-PRESSURE FILTER

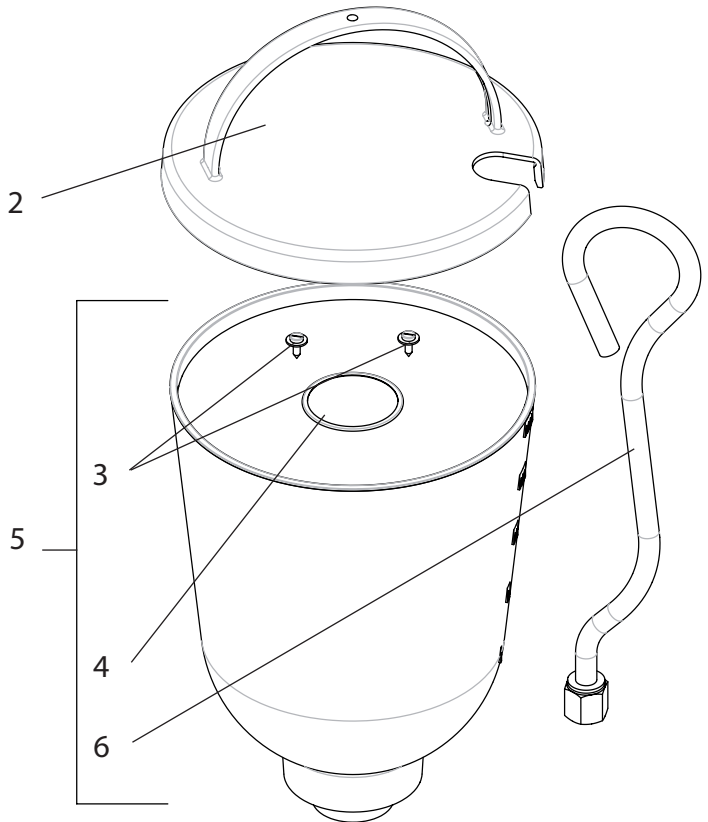
ITEM	ORDER NO.	DESIGNATION
1	0097 121	High-pressure filter HF- 01 compl. (pos. 2-12)
2	0097 301	Filter block
3	0097 302	Filter housing
4	0097 303	Hollow screw
5	0097 304	Seal ring
6	9970 110	Seal ring
7	9974 027	O-ring 30x2 (PTFE)
8	9971 401	O-ring 16x2 (PTFE)
9	0508 749	Bearing spring
10	0508 603	Bearing ring
11	0508 748	Filter insert 60 meshes
	0508 450	Optional: Filter insert 100 meshes
	0508 449	Filter insert 30 meshes
12	9994 245	Pressure spring



Spare parts diagram high-pressure filter

4.3 SPARE PARTS LIST HOPPER 5L

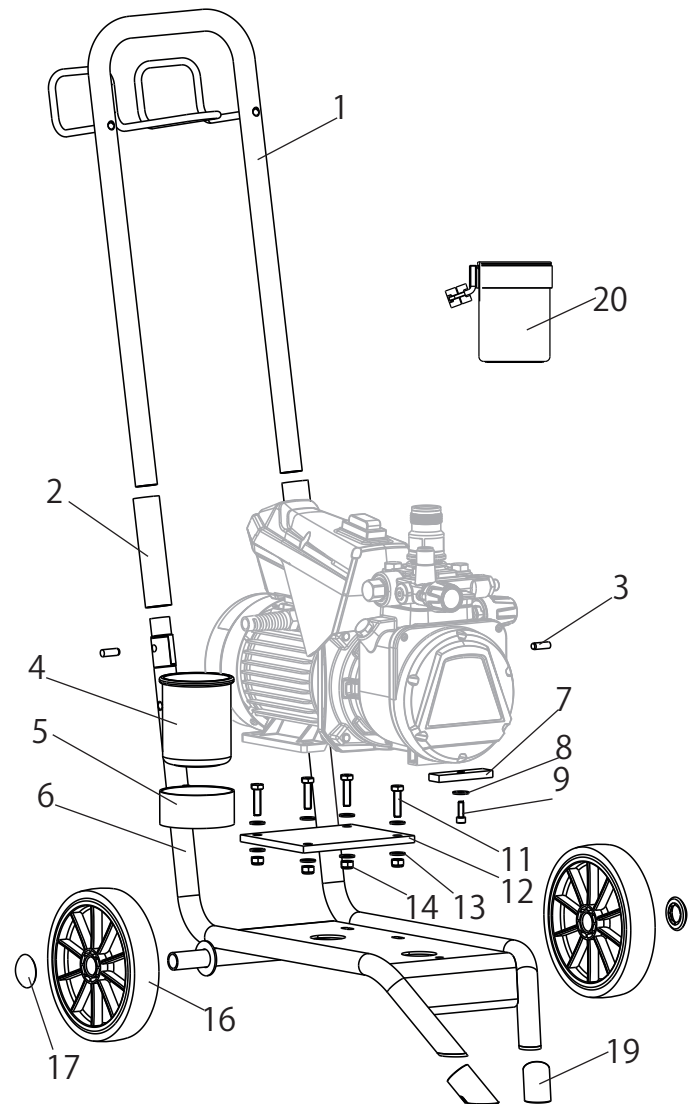
ITEM	ORDER-NO	DESIGNATION
1	0341 265	Hopper 5l, assy. (pos. 2-6)
2	0340 901	Cover
3	9902 306	Sheet metal screw 3,9x13 (2)
4	0037 607	Filter disk, mesh width 0,8 mm
	0003 756	Optional: Filter disk, mesh width 0,4 mm
5	0340 904	Hopper
6	0340 908	Return pipe



Spare parts diagram hopper

4.4 SPARE PARTS LIST TROLLEY

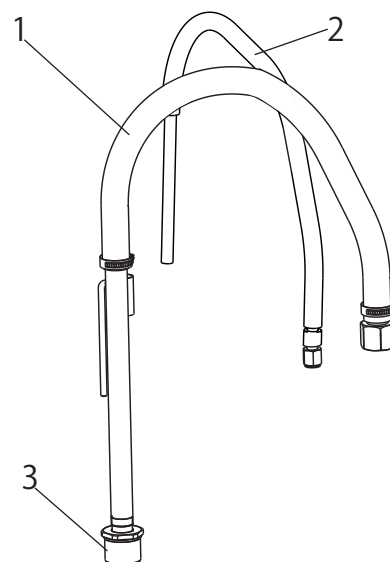
ITEM	ORDER NO.	DESIGNATION
1	2369570	Handle
2	13806	Sleeve
3	2396299	Half-hollow rivet
4	2369585	Cleaning cup
5	2393786	Cleaning cup holder
6	2369550	Bottom frame, cart
7	2369578	Foot, damping
8	9920304	Washer
9	2391181	Hexagon socket head cap screw
10	2393118	Foot, damping assy. (pos. 7-9)
11	9900118	Hexagon screw
12	2369545	Plate, damping
13	9920102	Washer
14	9910208	Hexagon nut
15	2393119	Plate, damping assy. (pos. 11-14)
16	2369556	Wheel
17	9994950	Wheel cap
18	2393121	Wheel assy. (pos. 16, 17)
19	2388543	Foot
20	2343481	Cleaning cup assy. (Japan)



Spare parts diagram trolley

4.5 SPARE PARTS LIST SUCTION SYSTEM

	2393123	Suction system assy.
1	2390605	Suction hose assy. (incl. filter)
2	2390606	Return hose assy.
3	2323325	Suction filter



Spare parts diagram suction system

4.6 SPARE PARTS LIST SUCTION SYSTEM JAPAN

ITEM	ORDER NO.	DESIGNATION	QTY.	ITEM	ORDER NO.	DESIGNATION	QTY.
1	2230341	Suction hose assy. 25×800	1	11	2240018	Hexagon nut	(1)
2	2230343	Return hose assy. 12×800	1	12	2240022	Hose clamp 20	(2)
3	2230342	Filter assy.	1	13	2240071	Hose 12×800	(1)
4	34602	Suction hose fitting	(1)	14	2240349	Return hose	(1)
5	2240009	Hexagon nut	(1)	15	2240345	Filter cover	(1)
6	2240083	Hose clamp 35	(2)	16-1	2240346	Filter 0.8mm (standard)	(1)
7	2240343	Protective spring	(1)	16-2	2240355	Filter 0.4mm	(1)
8	2240078	Hose 25×800	(1)	17	2240347	Spring washer 100	(1)
9	2240344	Suction tube	(1)				
10	2241111	Return hose fitting	(1)				

