



ENGINE DRIVEN WELDER NEW MAGIC WELD

The images are for reference

WELDING PROCESS



Shielded Metal Arc welding SMAW (STICK)



FEATURES

- Arc welding source in D.C. welding
- High frequency control of welding current and voltage
- D.C. generator
- Chopped D.C. auxiliary current (safe for tools)
- Engine shut down for low oil level (oil alert)
- **Power optimiser** (patent pending)
- Auto Idle
- Portable
- Meets EC directives

DEFINITIONS

SMAW: Coated electrode welding is an arc welding with protected metal.

GMAW: welding is an arc process with metal under gas protection.

FCAW (FLUX CORED): The process with cored wires is very similar to MIG / MAG welding. Continuous wire is not full but consists in a metal strip that wraps a powders core (flow).

GTAW: is a welding process that uses a tungsten electrode that cannot melt.



air cooled



petrol



manual recoil

ENGINE 4000 RPM

4 STROKE, OHV, NATURAL ASPIRATED

Model	HONDA - GX 200
* Stand-By net power	4.3 kWm (5.8 hp)
* PRP net power	3.7 kWm (5 hp)
* COP net power	/
Cylinders / Displacement	1 / 196 cm ³ (0.196 lt.)
Bore / Stroke	68 / 54 (mm)
Compression ratio	8.5 : 1
BMEP (Brake Mean Effective Pressure : LTP - PRP)	/
Speed governor type	Mechanical
FUEL CONSUMPTION	
110 % (Stand-by power)	2 lt./h
100 % to PRP	1.7 lt./h
75 % to PRP	1.3 lt./h
50 % to PRP	0.9 lt./h
COOLING SYSTEM	
Total system cap. - only engine	/
Fan air flow	/
LUBRICATION SYSTEM	
Total oil system capacity	/
Oil capacity in sump	0.6 lt.
Oil consumption at full load	/

* Output powers according to ISO 3046-1

EXHAUST SYSTEM

Maximum exhaust gas flow

/

Max. exhaust gas temp.

/

Maximum back pressure

/

External diameter exhaust pipe

/

ELECTRICAL SYSTEM

/

Starter motor power

/

Battery charging alternator cap.

/

Cold start

/

With cold start aid

/

AIR FILTER

Dry

Combustion air flow

/

HEAT REJECTED AT FULL LOAD

To exhaust system

/

To water and oil

/

Radiated to room

/

To charge cooler

/



CHARACTERISTICS OF WELDING AND GENERATION

D.C. WELDING

CONSTANT CURRENT

Current range	30 ÷ 150 A
Type of regulation	continue
Duty cycle	150 A - 60%
Open circuit voltage	67 V
Arc force control	No

GENERAL SPECIFICATIONS

Fuel tank capacity	3.1 l	IP protection degree	IP 23
Fuel consumption (welding 60%)	1.1 l/h	* Acoustic power LwA (pressure LpA)	99 dB(A) (74 dB(A) @ 7 m)
Running time (welding 60%)	2.5 h	Max. Ambient temperature	40 °C
Starter battery	/		

* Only for fixed installation in the EU market.

D.C. GENERATION

PERMANENT MAGNET ALTERNATOR, SELF-EXCITED, BRUSHLESS

Insulation class	H
------------------	---

AUXILIARY GENERATION

	OUTPUT 1	
	STANDARD 230V	VOLTAGE 110 V
Type of source	Single-Phase	Single-Phase
Frequency	/	/
Power kVA (Power kW) Max	2 kW	1.5 kW
Cos φ	/	/
Voltage	230 V	110 V
Max current	8.7 A	13.6 A

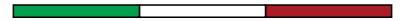
CONTROL PANEL

- Manual recoil
- Motor switch ON-OFF
- Air control
- Welding current adjustment knob
- Soldering sockets
- Fuse for auxiliary socket
- Output sockets: 1x 230V 16A 2P+T CEE
1x 230V 16A 2P+T SCHUKO (option)
1x 110V 16A 2P+T CEE (option)

SIMULTANEOUS UTILIZATION FACTORS

WELDING CURRENT	≥ 90A	60A	30A	0A
SINGLE-PHASE POWER 230V	0kW	0.5kW	1.1kW	1.6kW
SINGLE-PHASE POWER 110V	0kW	0.3kW	0.8kW	1.2kW

The use of the Auxiliary Generation is recommended for tools related to welding (wheels, electric hammers, lights, etc ...)



WEIGHT - DIMENSIONS ACCESSORIES

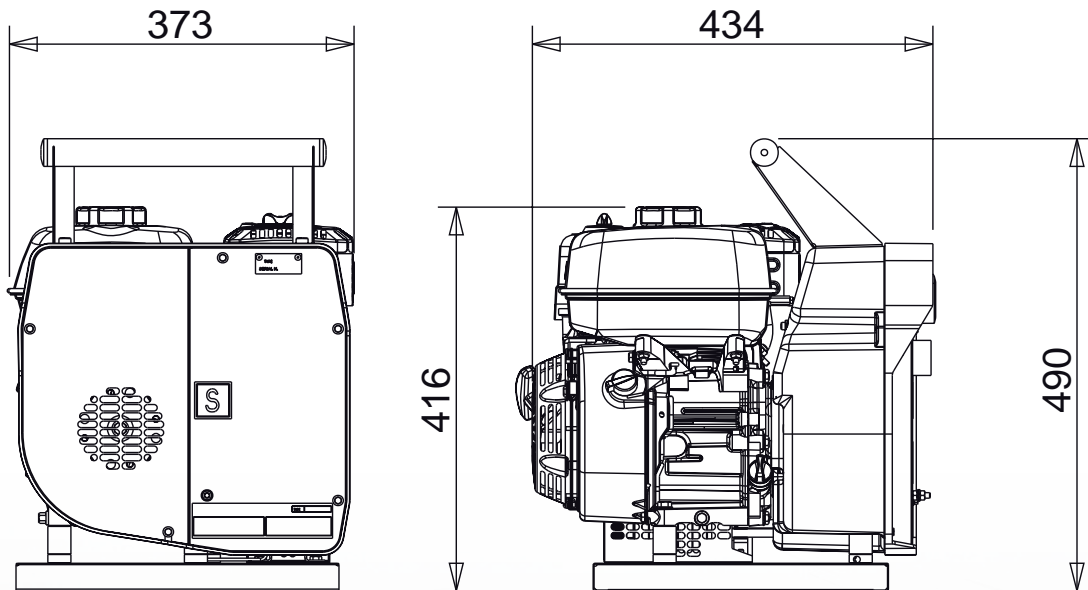


DRY WEIGHT:
• 34 Kg

The welding machine pictured may include optional accessories.



DIMENSION PICTURE (mm)



OPTIONS ON REQUEST

- Welding kit (mask, gloves, etc.)
- Welding cables: K185 (4.5+3m, 35mm²)
K190 (10+8m, 35mm²)
K 200 (20+15m, 35mm²)
- Welding parallel cables K2x150 (35mm²)
- Manual trolley CTM-MW

VERSION ON REQUEST

- SCHUKO Version
- 110V Version

FACTORY INSTALLATION OPTIONS

- /

GENERAL INFORMATION

COMPLIANCE GENERATING SETS WITH EC DIRECTIVES AND STANDARDS

- 2006/42 / EC (Machines Directive)
- 2014/35 / EU (Low Voltage Directive)
- 2014/30 / EU (EMC Directive)
- 2000/14 / EC (Directive Acoustic Emission for machines for use outdoors)
- ISO 8528 (Reciprocating internal combustion engine driven alternating current generating sets)



ISO 9001:2015 - Cert. 0192

WARRANTY

All devices are covered by the manufacturer's warranty.

The company reserves the right to change this specification without notice. For further information please contact the sales department.

© MOSA - Viale Europa, 59 - 20090 Cusago (Milano) - Italy - phone +39-0290352.1 - fax + 39-0290390466 E-mail: info@mosa.it Web site: www.mosa.it

