



TECHNICAL DATA

Description	Powered Air Purifying Respirator with integrated airflow-sensor and three selectable flow rates	Type	TH3P R SL filter for TH3P system (EU)
Protection level	Protection level TH3 (EN 12941)	Hose length	0.7 m (elastic up to 1.3 m)
Flow rates	Level 1: min. 150 l/min Level 2: min. 200 l/min Level 3: min. 250 l/min	Standards	EN 12941:1998/A2:2008, AS/NZS 1716:2012, EAC: TP TC 019/2011
Fuse	Electronic fuse	Notified body / Lic. No.	CE 1024, SAI Global, EAC
Noise	max. 70dbA	Scope of delivery	Blower unit with hose, TH3P R SL filter, battery, fabric belt, charger, user instructions
Dimensions	222 x 213 x 92,6 mm (LxWxH)	Warranty	2 years from date of sales for manufacturing and material defects, 6 months warranty for battery
Weight	1.560 g (incl. filter, belt, and battery) 1.750 g (longlife-model with Power battery)		
Color	green or blue		

Newest technology
in respiratory protection.



Buckle up & take a deep breath!



High-performance
PAPR system with a
Safety Class 3 filter



The optrel e3000 PAPR system can be used in combination with the following PAPR and grinding helmets:



panoramaxx
Item no. 4441.660



e684
Item no. 4441.600



vegaview2.5
Item no. 4441.800



liteflip autopilot
Item no. 4441.700



g300
Item no. 4900.000



optrel AG
industriestrasse 2
CH-9630 wattwil
switzerland
www.optrel.com
info@optrel.com



optrel.com

Art. no. 9412.201.02

Automatically better welding

Reliably protects its wearer from smoke, aerosol particles, and dust. The e3000 PAPR system.

Effective aeration and ventilation is generally necessary for all work areas. Room ventilation solutions are elementary, but not always sufficient. An additional local exhaust vent in the immediate vicinity of a work station is hard to bring about and also risks suctioning off valuable protective gases.

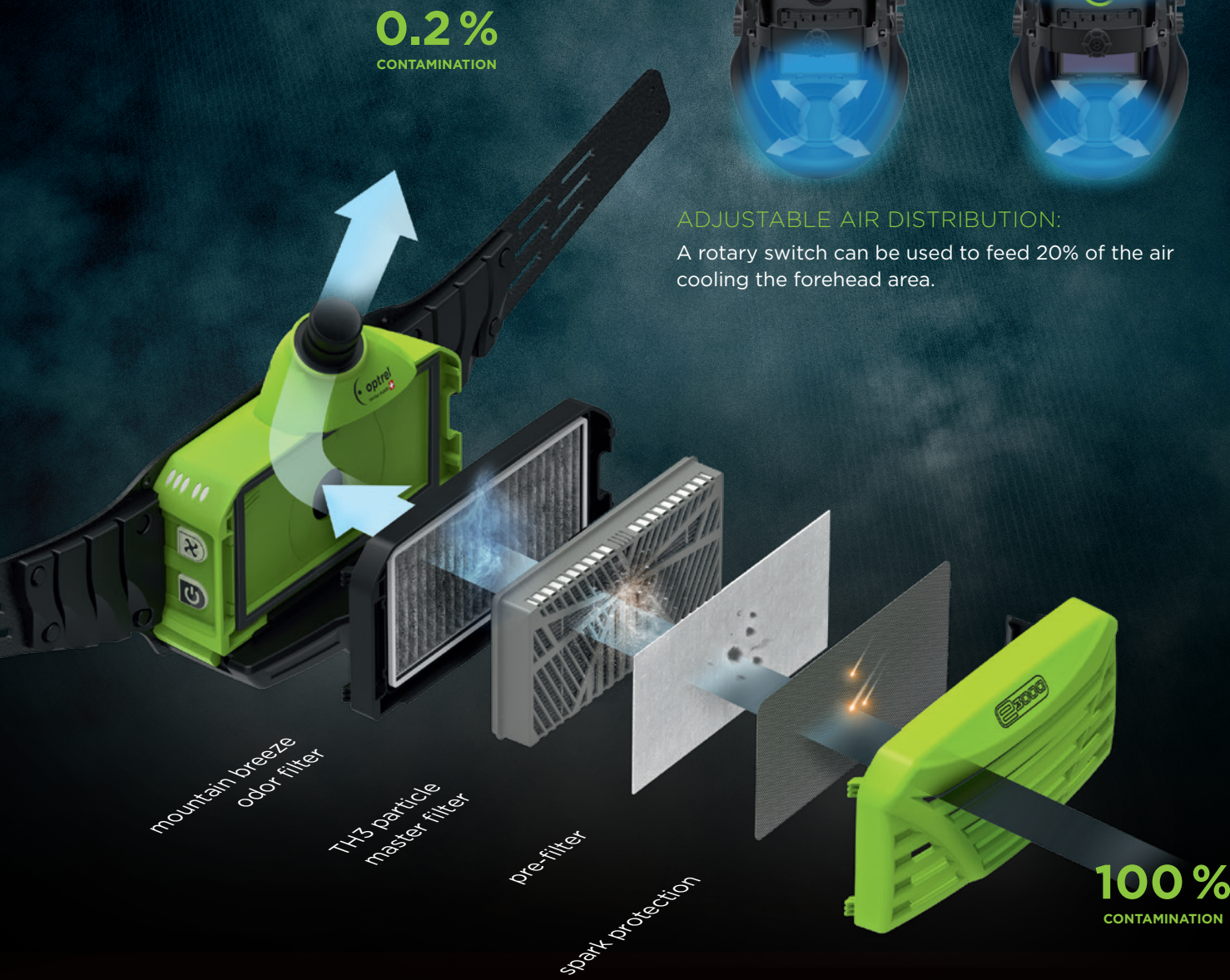
If each worker is to be comprehensively protected from hazardous particles, personal protective breathing equipment is indispensable.

- The e3000 PAPR system allows optrel to guarantee
- the highest class of protection (TH3) from respirable particles (smoke, aerosol, and dust). Breathing air becomes cleaner by a factor of up to 500.
 - even air distribution in the fresh air helmet.
 - automatic air flow control.
 - additional cooling effect for keeping a cool head about you.

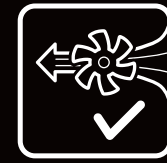
Better working conditions for greater efficiency and comfort and better performance.



ADJUSTABLE AIR DISTRIBUTION:
A rotary switch can be used to feed 20% of the air cooling the forehead area.

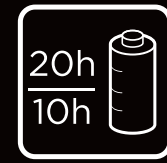


Air supply system with the highest comfort.



INTEGRATED, AUTOMATIC AIR FLOW CONTROL

Daily monitoring of air flow is prescribed for all respiratory devices available on the market. Conventional devices require manual checks. The optrel e3000's intelligent sensor management allows it to perform an automatic air flow check.



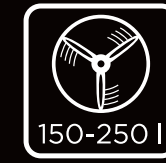
HIGH PERFORMANCE BATTERY

The battery management system has a running time of up to 20 hours, enough for uninterrupted work in two-shift operation. This allows the welder to use his work time more effectively.



SIMPLE OPERATION FOR LOW OPERATING COSTS

The large pre-filter slows blockage of the TH3 particle master filter. This attribute and the innovative replacement concept for the filter and face seal allow the user to optimize the overall operating costs.



ADJUSTABLE AIR FLOW

The three-level adjustable air flow of 150-250 l/min in combination with the helmet ensures customized, comfortable air distribution. The highest level, 250 l/min, has an additional cooling effect for the user even under the hottest conditions.

This effect can be intensified by means of a rotary switch that diverts 20% of the cooling air to the forehead area. This allows the highest degree of concentration and reduces fatigue symptoms.



MOUNTAIN BREEZE ODOR FILTER

Used in combination with the optrel e3000 ventilated breathing system, the mountain breeze filter increases the welder's comfort even more. It protects him from unpleasant odors during welding and grinding of coated material (such as galvanized sheet) and thus from nausea, headaches, and dizziness.

Respiratory protection of the highest safety class.

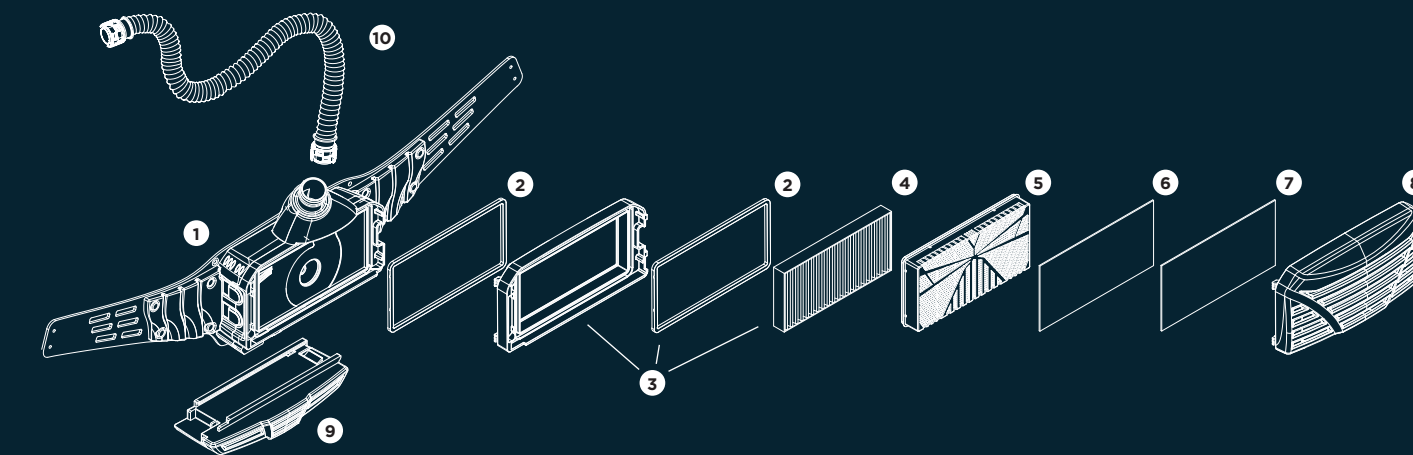
TH3 certified

For rough environmental conditions, a highly efficient welding protection system is indispensable for ensuring that the welder's state of health allows him to continue to work. The optrel e3000 ventilated breathing system with its integrated particle filter of the highest class (TH3) reliably protects the welder's airways from smoke, aerosol, and dust when used in conjunction with an optrel PAPR welder's helmet.

It filters out 99.8 % of the respirable particles, such as the following:

- aluminum oxide
- iron oxide
- magnesium oxide
- barium compounds
- lead oxide
- fluorides
- copper oxide
- manganese oxides
- molybdenum oxide
- vanadium pentoxide
- chrome (III) compounds
- chrome (IV) compounds
- zinc oxide
- titanium oxide
- nickel oxide
- cobalt oxide
- cadmium oxide
- beryllium oxide

Main accessories	Art. Nr.	Main accessories	Art. Nr.
e3000 bag	9410.044.00	Hose protective sleeve, black	4551.021
optrel rucksack	9410.043.00	optrel parking buddy	5002.900
Charger e3000 with all primary connectors	4551.010	Hose guide	4551.024
e3000 multibay charger for up to 6 e3000 batteries	4551.013	Shoulder harness	4551.040



Spare parts and accessories	Art. Nr.	Spare parts and accessories	Art. Nr.
1 e3000 PAPR - blue, 10h Battery	4551.000	6 Pre-filter (50 pcs.)	4088.101
e3000 PAPR - blue, 20h Power Battery	4551.000-L	7 Spark protection (2 pcs.)	4088.102
e3000 PAPR - green, 10h Battery	4551.000.G	8 e3000 filter cover blue	4551.031
e3000 PAPR - green, 20h Power Battery	4551.000.G-L	e3000 filter cover green	4551.031.G
2 Sealing Kit for e3000	4551.023	9 Battery e3000, 10h Battery	4551.011
3 Starter Kit mountain breeze odor filter	4088.103	Battery e3000, 20h Power Battery	4551.012
4 Replacement Kit mountain breeze odor filter	4088.104	10 e3000 air hose	4551.020
5 TH3 particle master filter	4088.100		