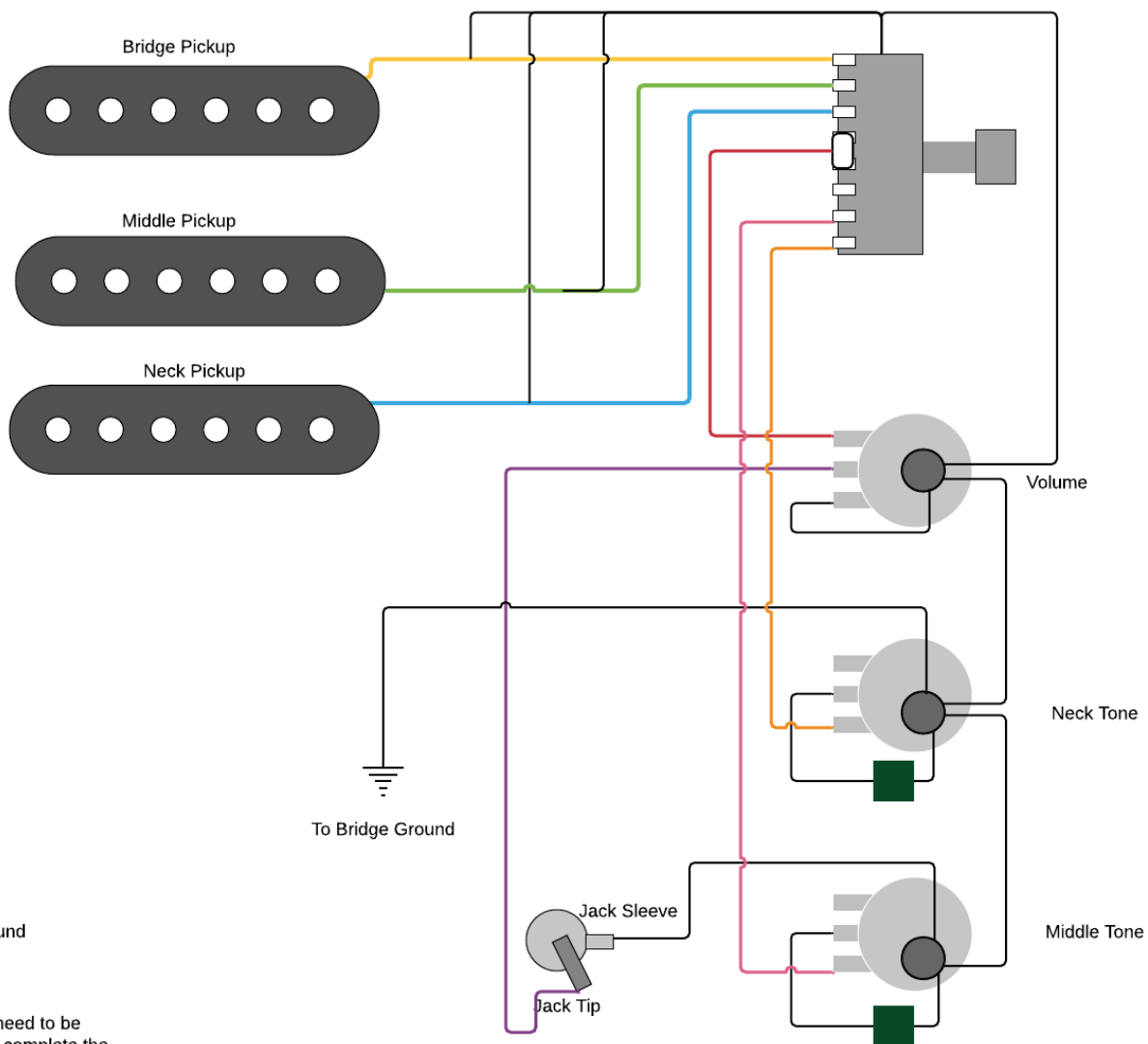


3 Pickup, 1 Volume, 2 Tone Wiring



Notes:
 All Grounds need to be connected to complete the ground circuit.

Wire colors are a representation only, actual colors may vary between kits.