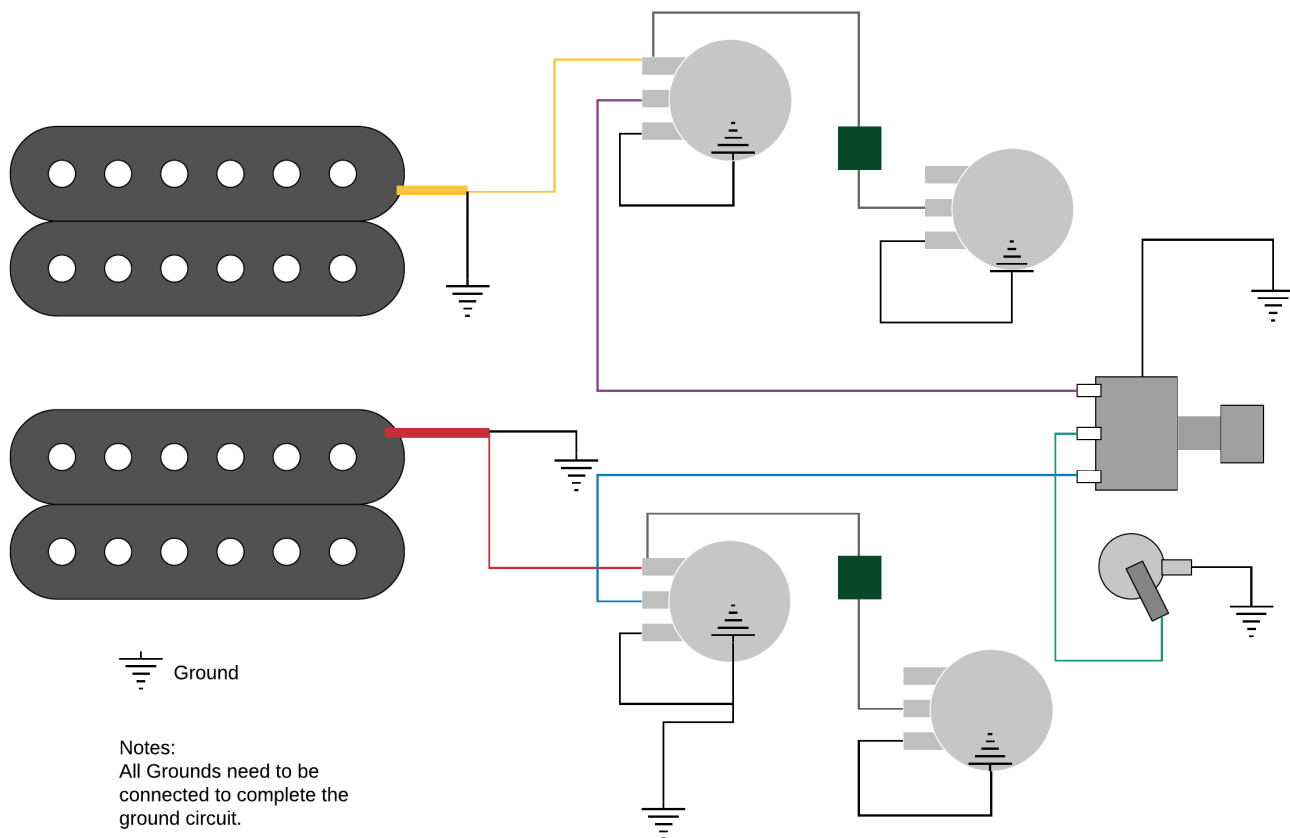


2 Pickup, 2 Volume, 2 Tone, 3 Way Switch



Ground

Notes:
All Grounds need to be connected to complete the ground circuit.

Wire colors are a representation only, actual colors may vary between kits.

To Bridge Ground Post