

INSTALLATION MANUAL

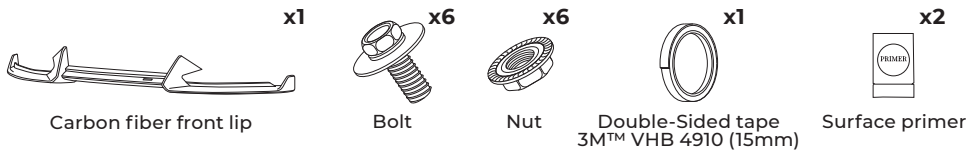
EV6 STANDARD CARBON FIBER FRONT LIP

*Professional installation recommended

ENG.

Page 1/2

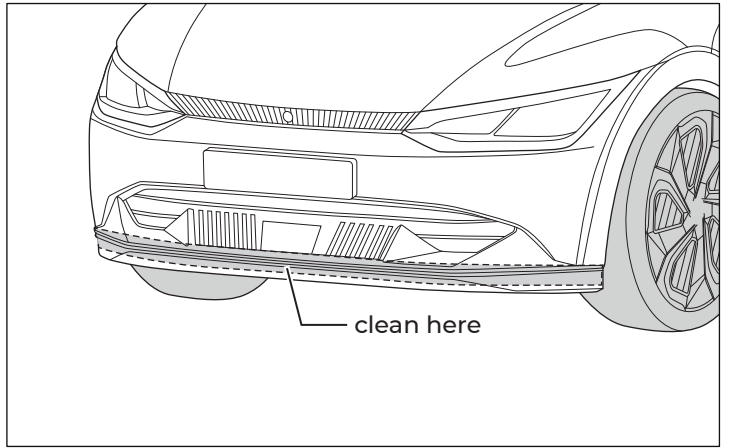
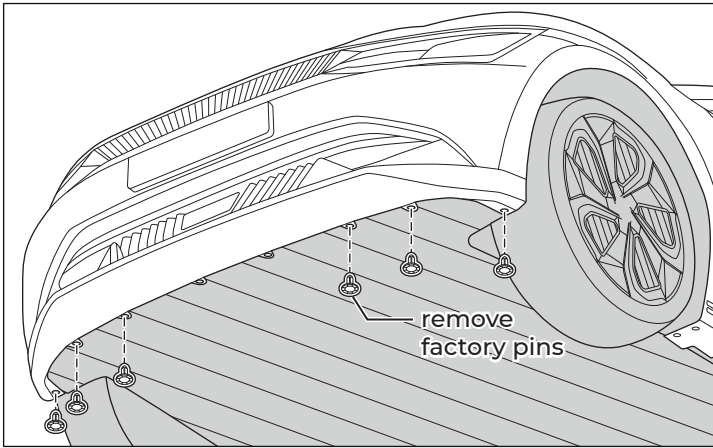
Components



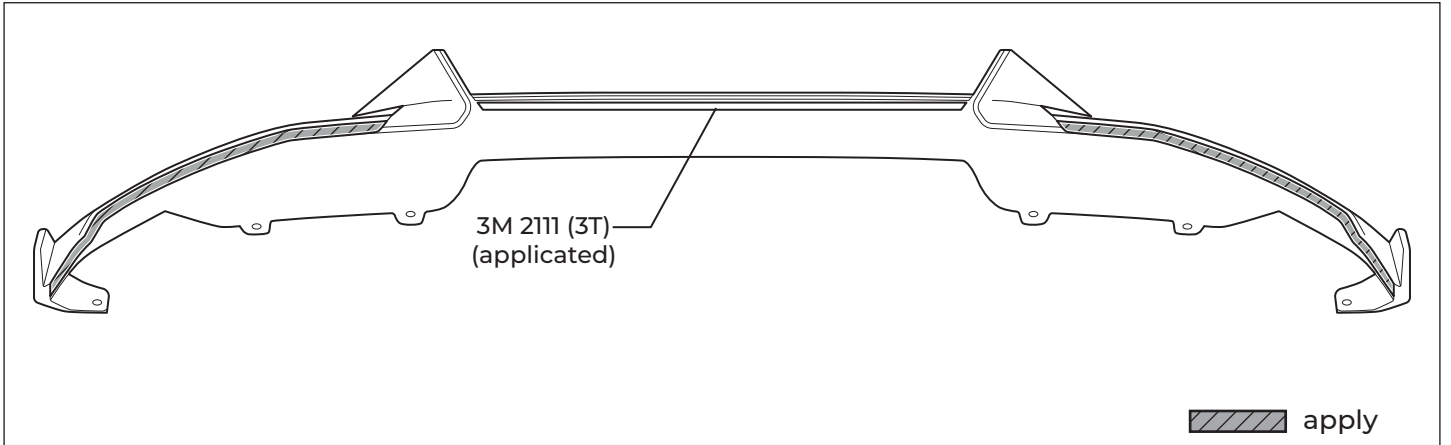
A. Prep

A-1. Remove the factory pins as shown in the illustration.

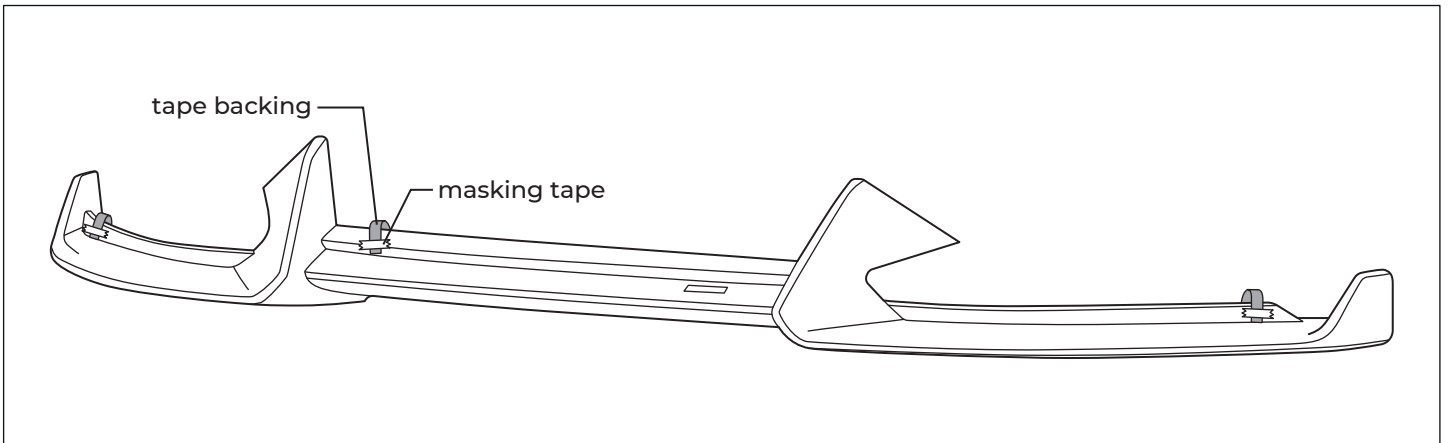
A-2. Ensure that your EV6's front bumper has been thoroughly cleaned.



A-3. Prep the [carbon fiber front lip] with the provided [surface primer] and apply the [double-sided tape] as shown in the figure below.



A-4. Fold a small tail of the red backing material from the [3M™ Double-Sided Tape] and secure it with masking tape so that the backing material is accessible.



INSTALLATION MANUAL

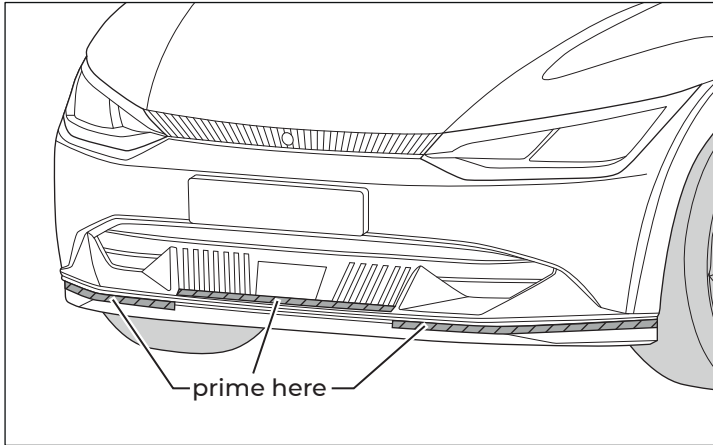
EV6 STANDARD CARBON FIBER FRONT LIP

*Professional installation recommended

ENG.

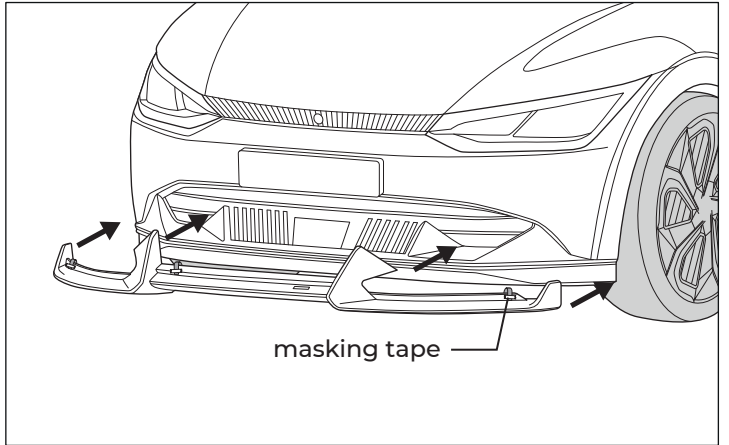
Page 2/2

- A-5. Prep the front bumper with the provided [surface primer].
*Be careful not to overuse the primer as it may damage the paint job.

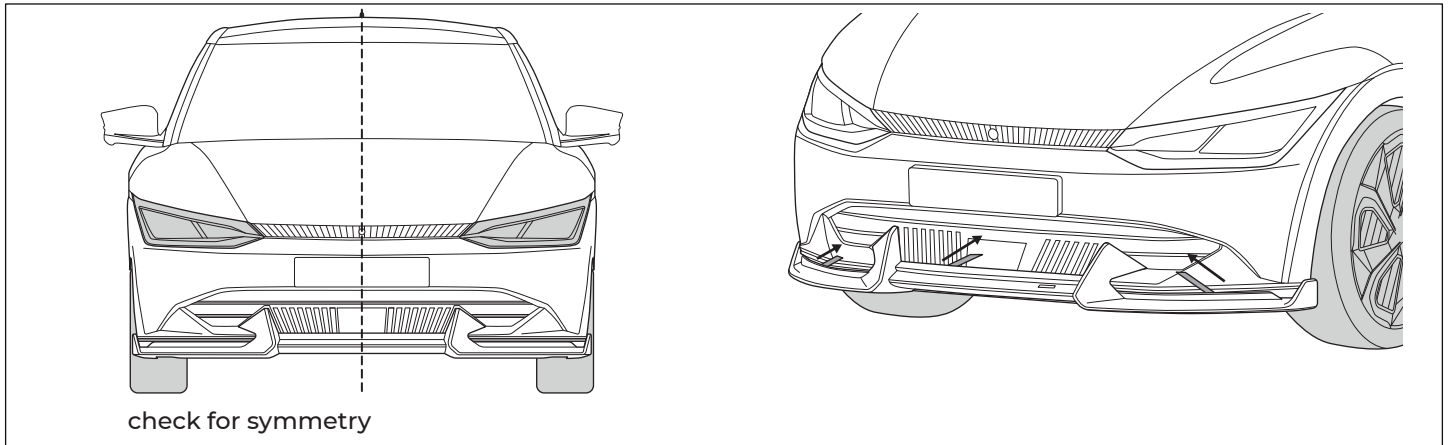


B. Fit

- B-1. Position the [carbon fiber front lip] so that it is perfectly symmetrical.
*Fit with care so as to avoid scratching the vehicle.

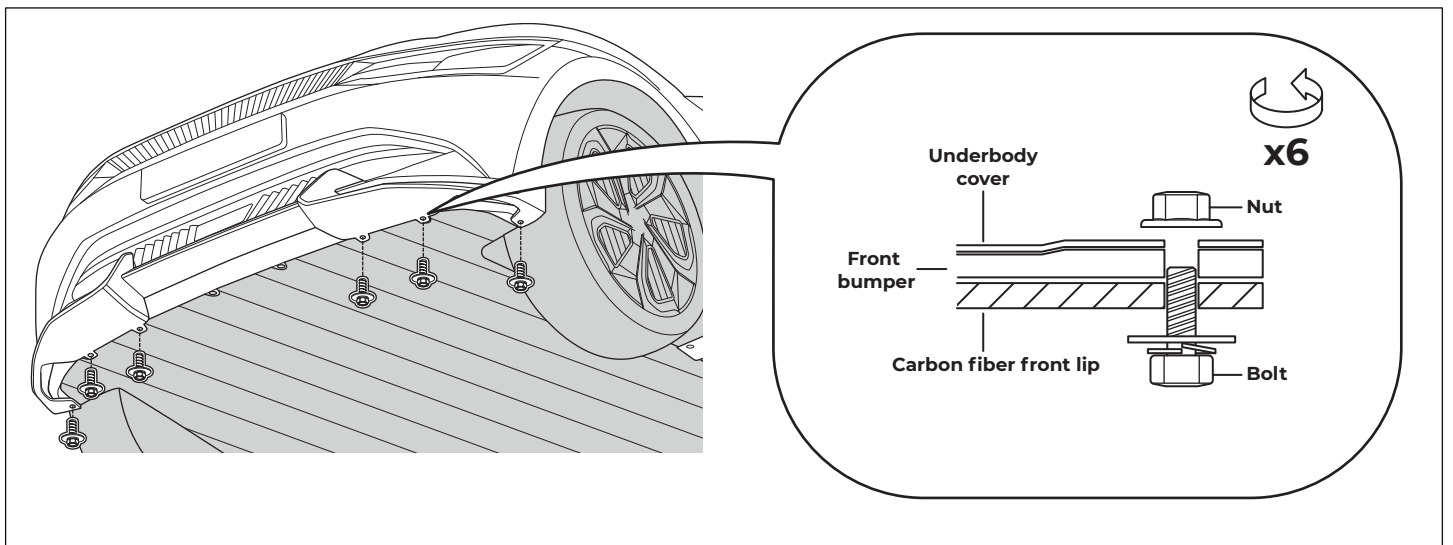


- B-2. Once it is properly aligned, pull the tails on the double-sided tape and firmly press along the taped areas to ensure proper adhesion.



C. Install

- C-1. Using a power tool, secure the [carbon fiber front lip] to the bumper with the provided components.



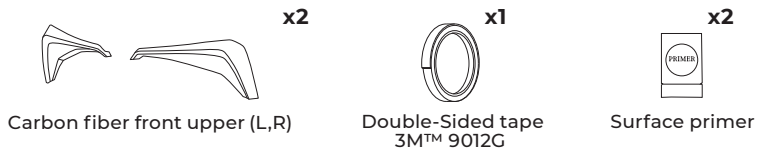
INSTALLATION MANUAL

EV6 STANDARD CARBON FIBER FRONT UPPER

*Professional installation recommended

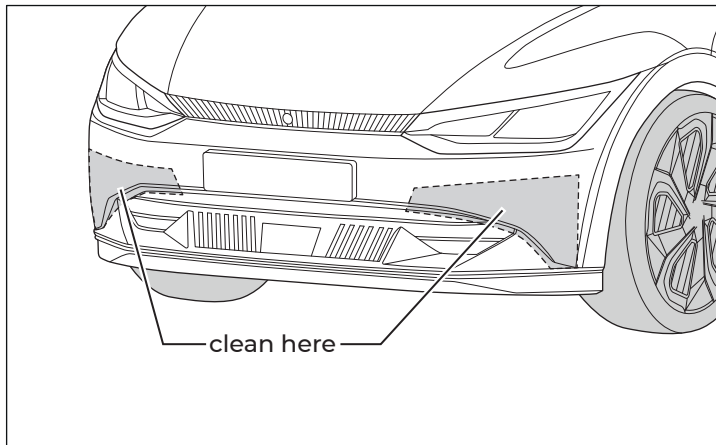
ENG.

Components

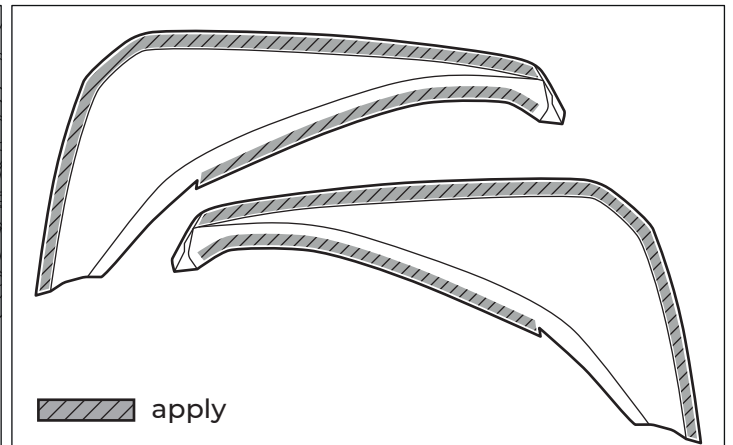


A. Prep

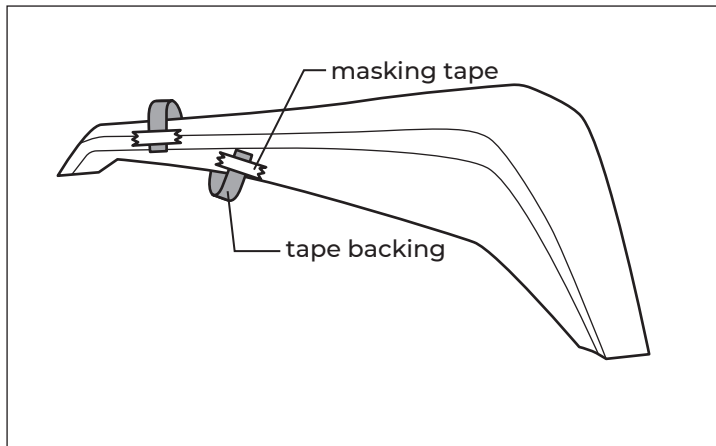
A-1. Ensure that your EV6's front bumper has been thoroughly cleaned.



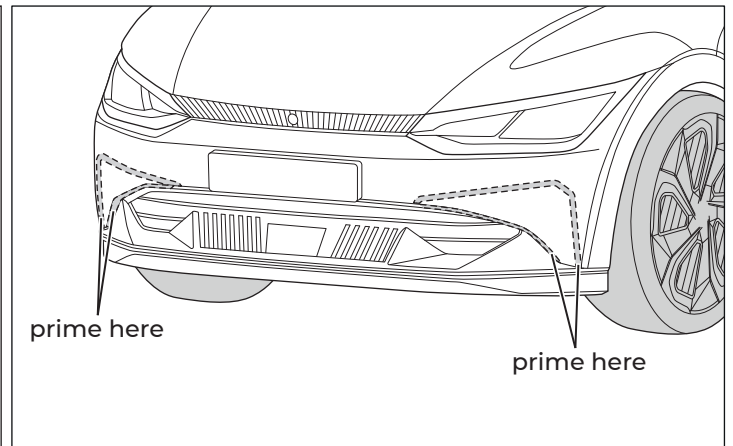
A-2. Prep the [carbon fiber front upper] with the provided [surface primer] and apply the [double-sided tape] as shown in the figure below.



A-3. Fold a small tail of the red backing material from the [3M™ Double-Sided Tape] and secure it with masking tape so that the backing material is accessible. Repeat on other side.

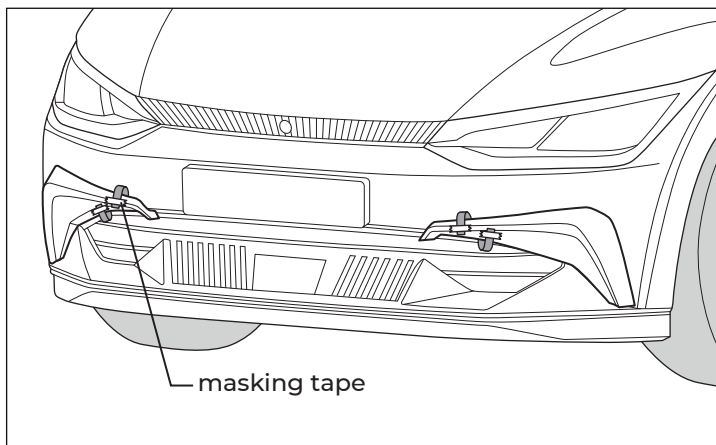


A-4. Prep the front bumper with the provided [surface primer].
*Be careful not to overuse the primer as it may damage the paint job.

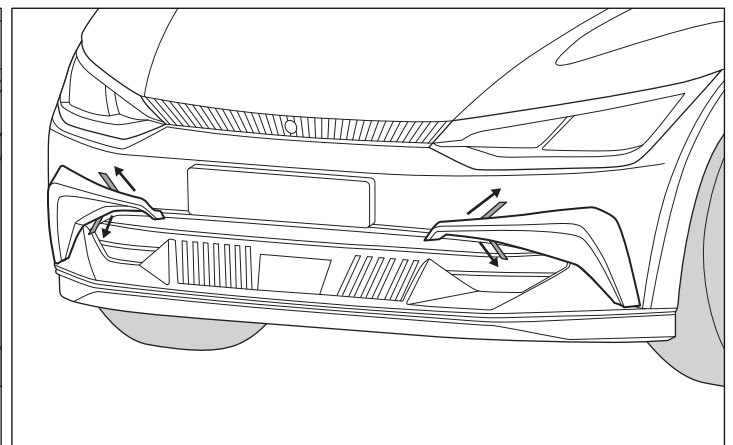


B. Fit & Install

B-1. Position the [carbon fiber front upper] so that it fits perfectly.



B-2. Once it is properly aligned, pull the tails on the double-sided tape and firmly press along the taped areas to ensure proper adhesion.



INSTALLATION MANUAL

EV6 CARBON FIBER SIDE SKIRTS

*Professional installation recommended

ENG.

Page 1/2

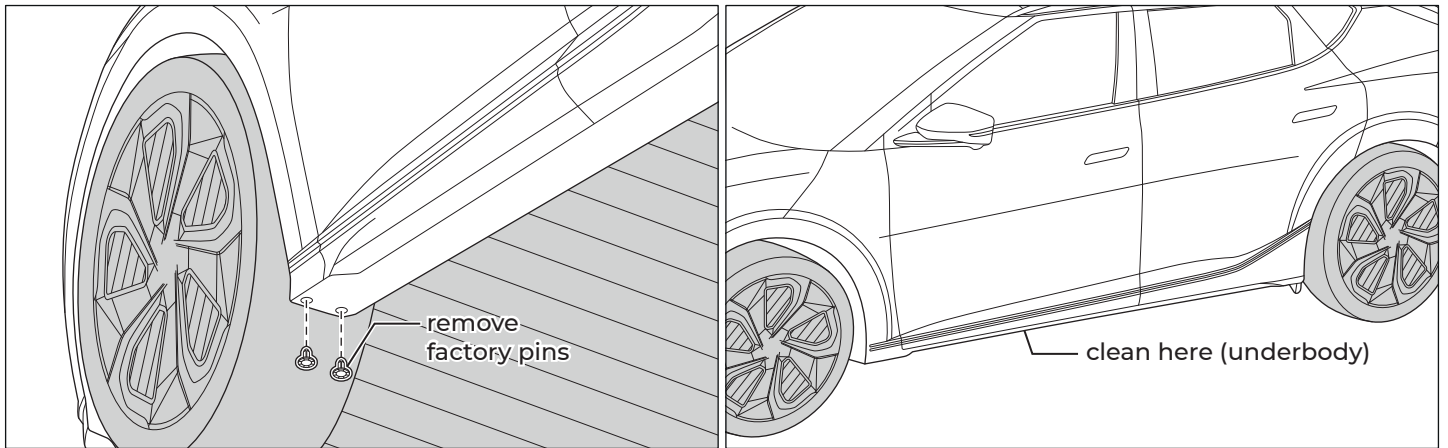
Components



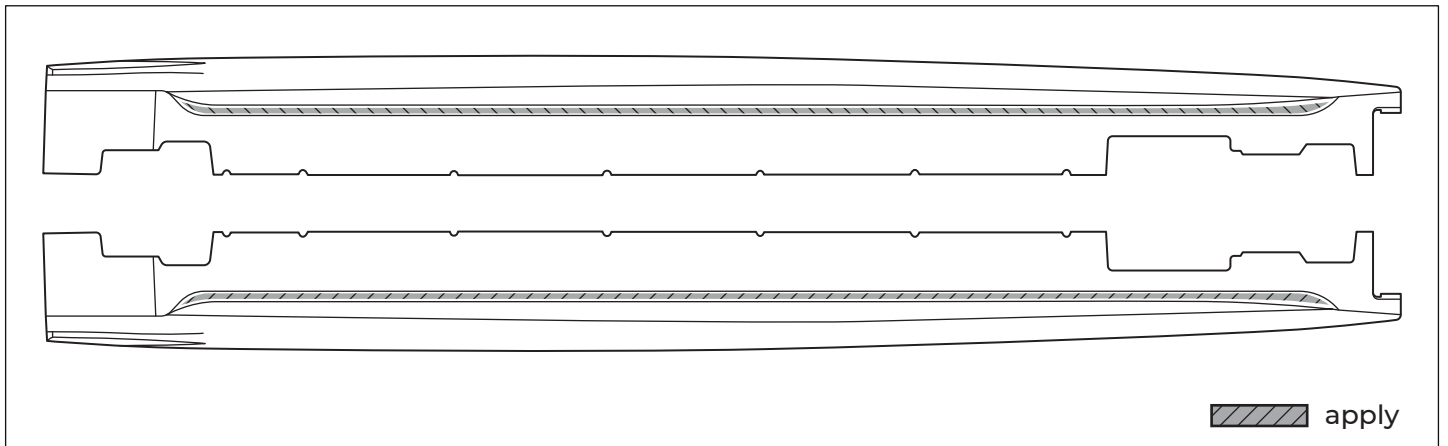
A. Prep

A-1. Remove the factory pins as shown in the illustration.

A-2. Ensure that your EV6's side surface has been thoroughly cleaned.

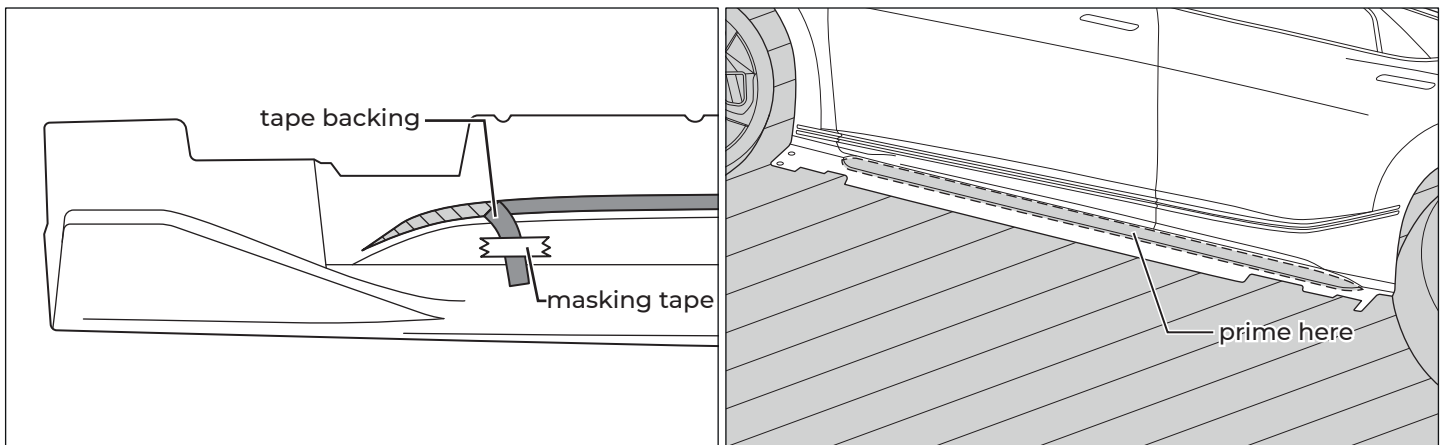


A-3. Prep the [carbon fiber side skirts] with the provided [surface primer] and apply the [double-sided tape] as shown in the figure below.



A-4. Fold a small tail of the red backing material from the [3M™ Double-Sided Tape] and secure it with masking tape so that the backing material is accessible. Repeat on other side.

A-5. Prep the side surface with the provided [surface primer].
*Be careful not to overuse the primer as it may damage the paint job.



INSTALLATION MANUAL

EV6 CARBON FIBER SIDE SKIRTS

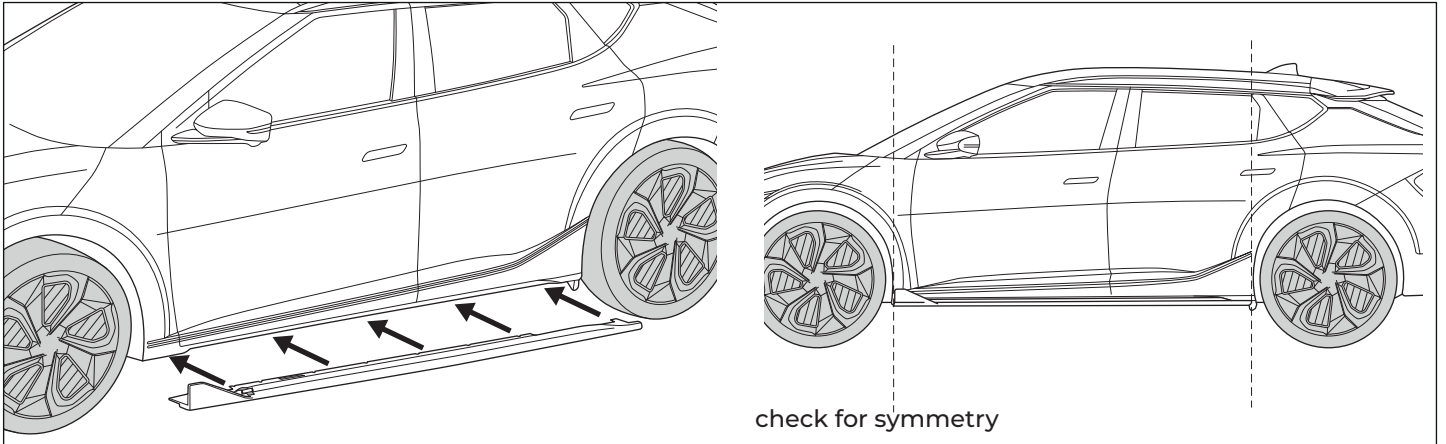
*Professional installation recommended

ENG.

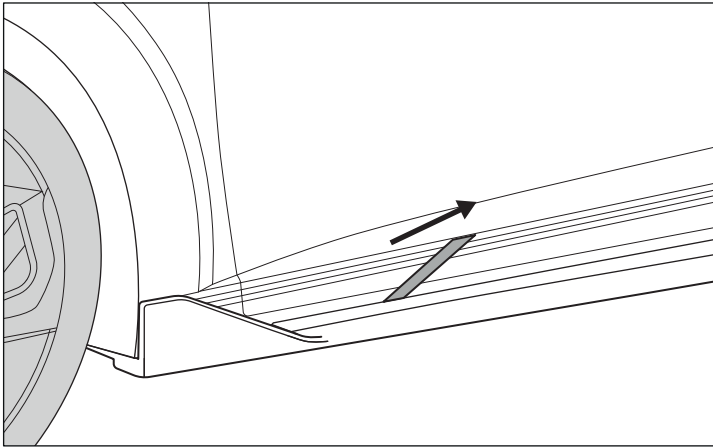
Page 2/2

B. Fit

B-1. Position the [carbon fiber side skirts] so that it is perfectly.

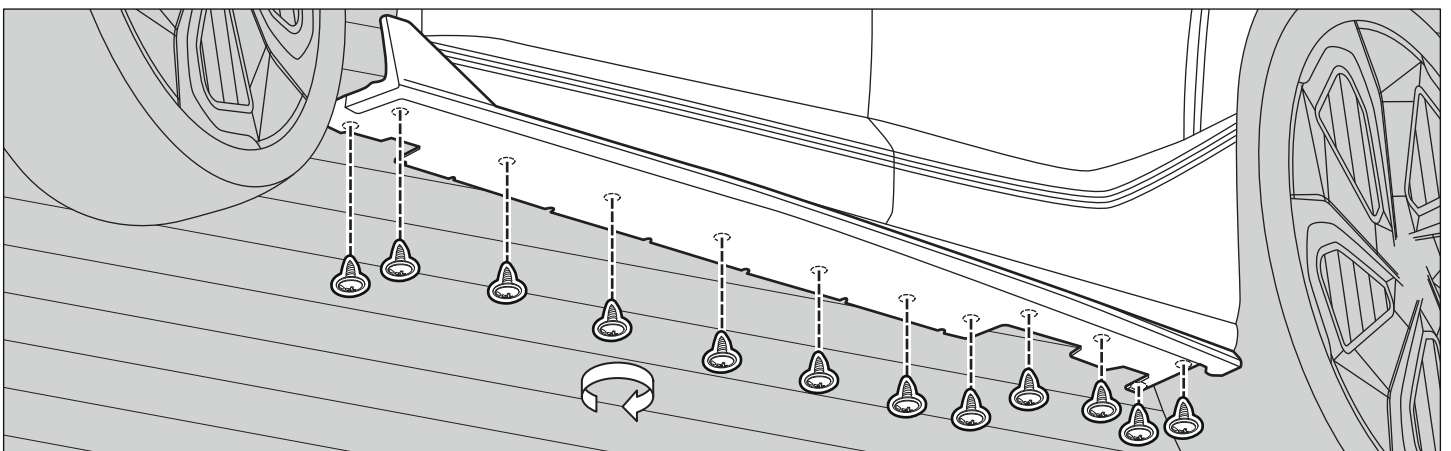


B-2. Once it is properly aligned, pull the tails on the double-sided tape and firmly press along the taped areas to ensure proper adhesion.



C. Install

C-1. Using a power tool, secure the [carbon fiber side skirts] with the [screws]. If needed, use the spare screw for a tighter fitment.



INSTALLATION MANUAL

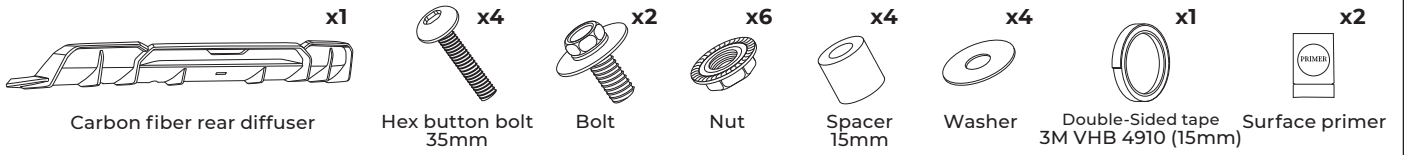
EV6 STANDARD CARBON FIBER REAR DIFFUSER

*Professional installation recommended

ENG.

Page 1/3

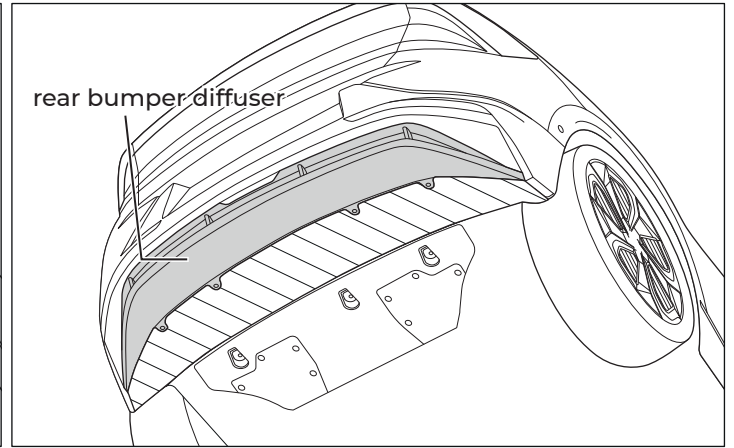
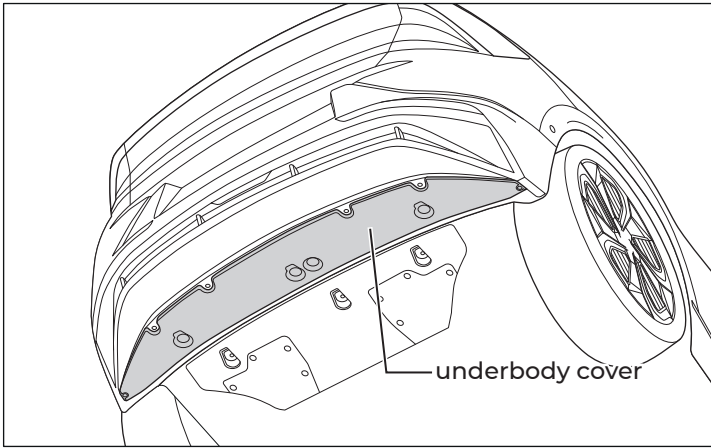
Components



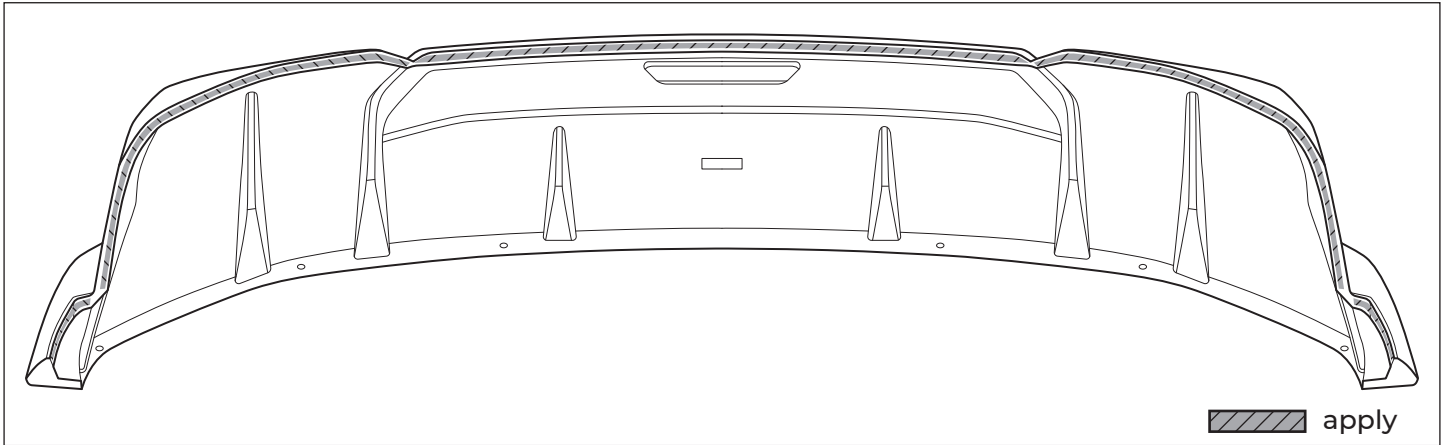
A. Prep

A-1. Remove the underbody cover as shown in the illustration.

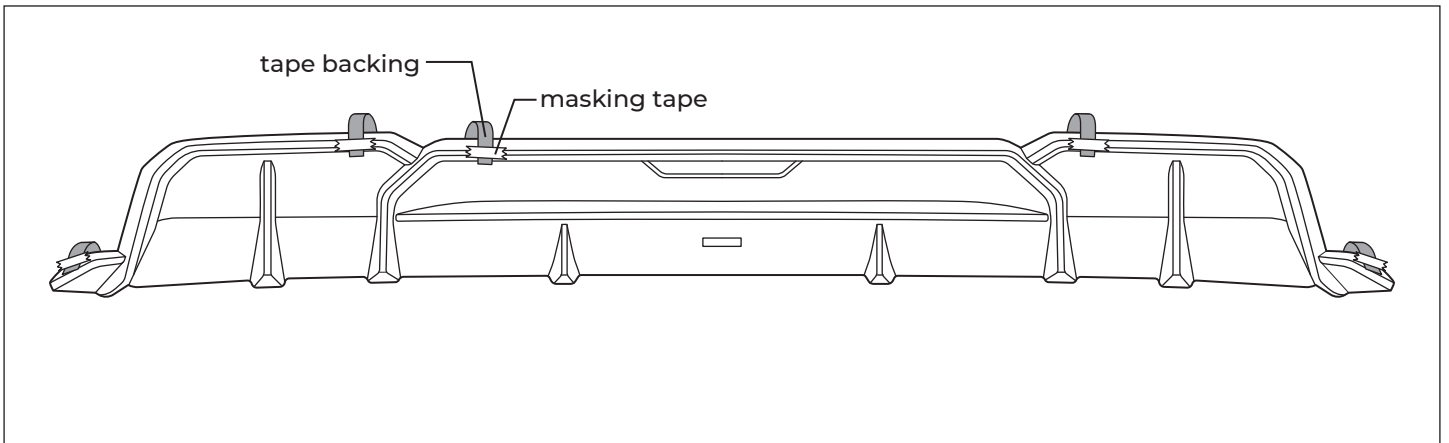
A-2. Remove the OEM rear bumper diffuser as shown in the illustration.



A-3. Prep the [carbon fiber rear diffuser] with the provided [surface primer] and apply the [double-sided tape] shown in the figure below.



A-4. Fold a small tail of the red backing material from the [3M™ Double-Sided Tape] and secure it with masking tape so that the backing material is accessible.



INSTALLATION MANUAL

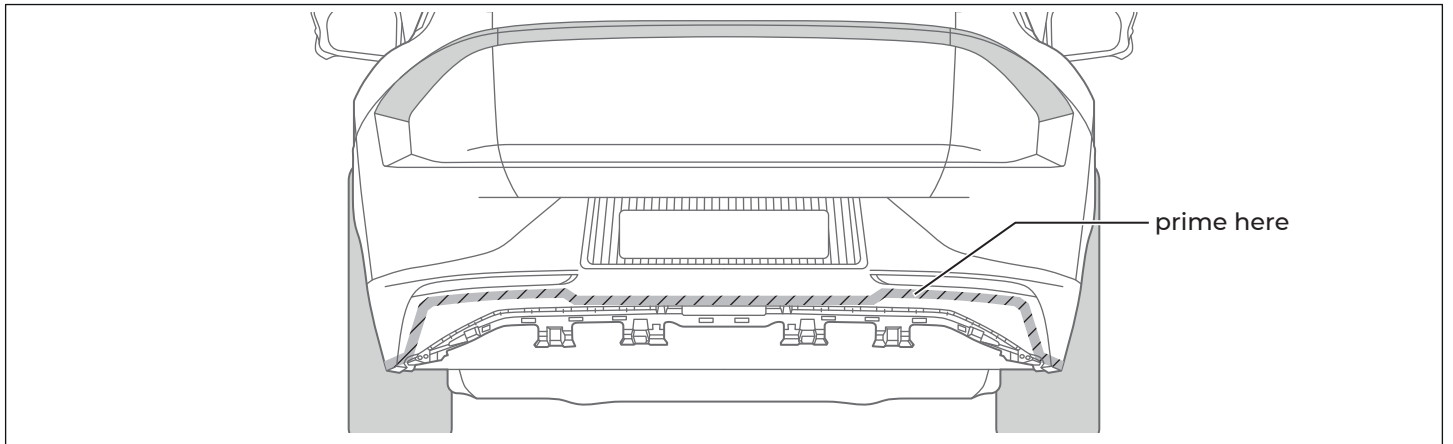
EV6 STANDARD CARBON FIBER REAR DIFFUSER

*Professional installation recommended

ENG.

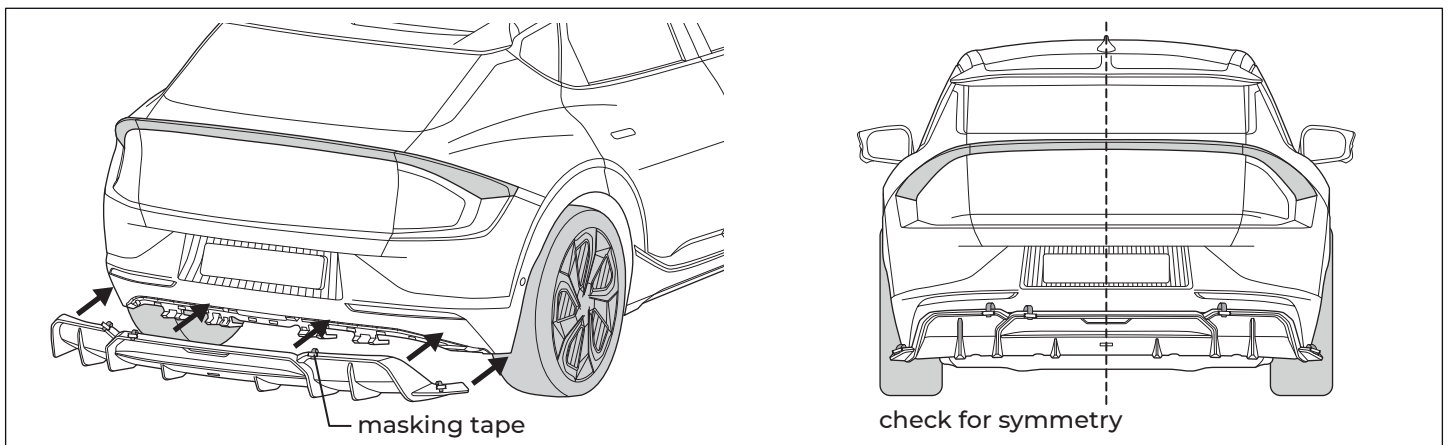
Page 2/3

- A-5. Ensure that your EV6's rear bumper has been thoroughly cleaned and prep it with the provided [surface primer].
*Be careful not to overuse the primer as it may damage the paint job.

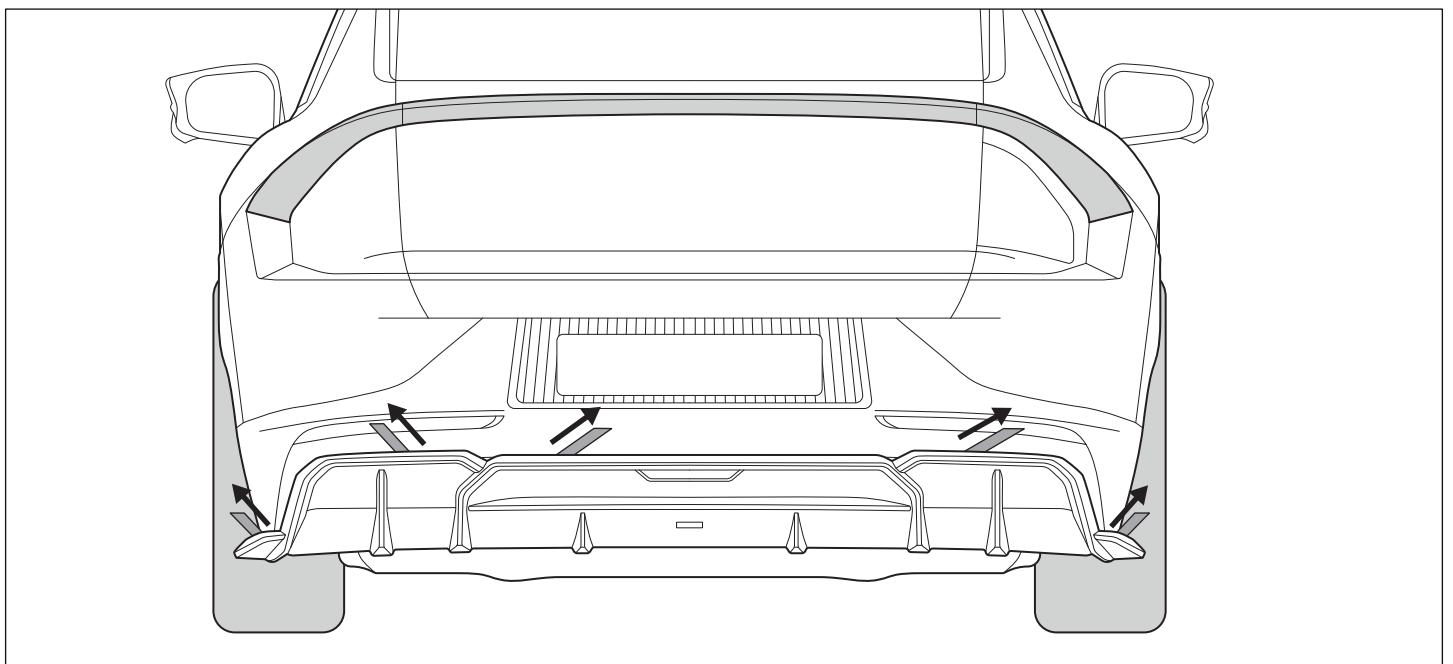


B. Fit

- B-1. Position the [carbon fiber rear diffuser] so that it is perfectly symmetrical. *Fit with care so as to avoid scratching the vehicle.



- B-2. Once it is properly aligned, pull the tails on the double-sided tape and firmly press along the taped areas to ensure proper adhesion.



INSTALLATION MANUAL

EV6 STANDARD CARBON FIBER REAR DIFFUSER

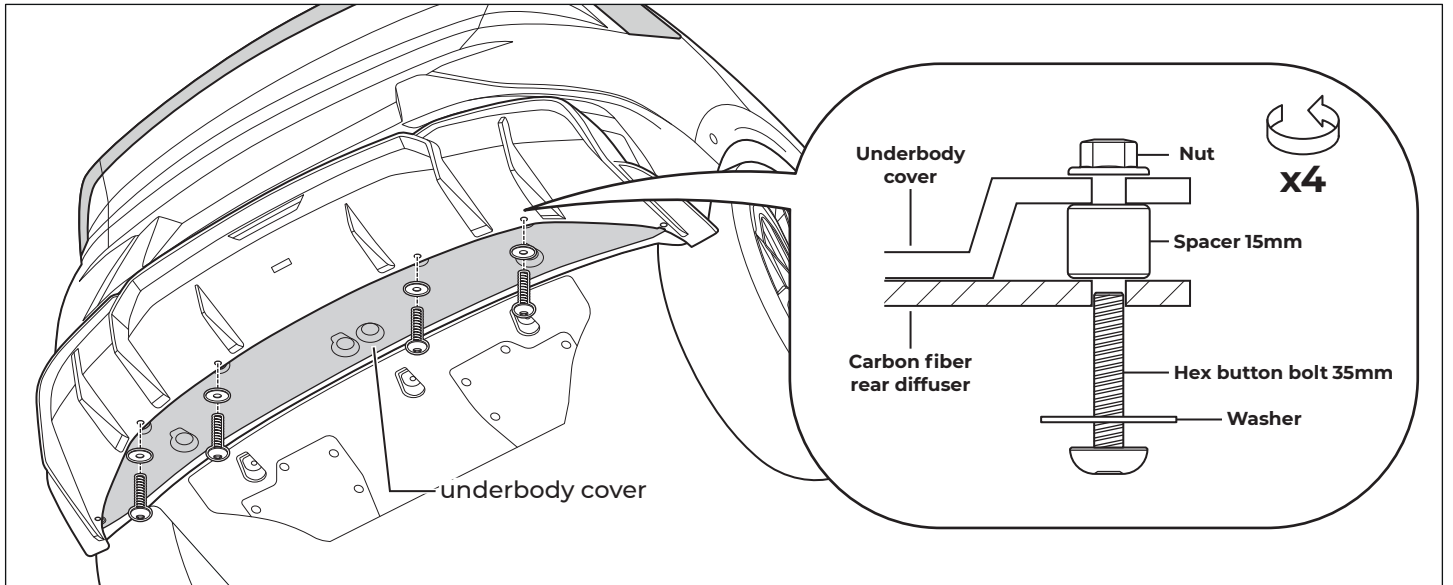
*Professional installation recommended

ENG.

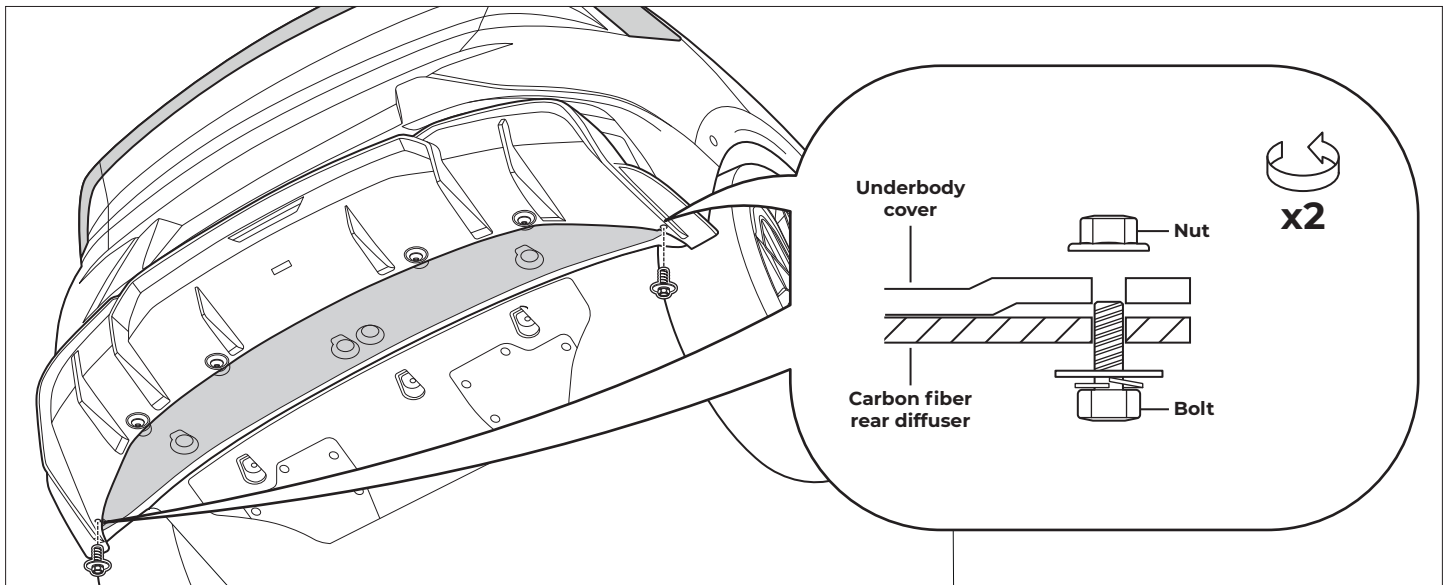
Page 3/3

C. Install

C-1. Using a power tool, secure the [carbon fiber rear diffuser] to the bumper and the underbody cover with the provided components.



C-2. Continue to secure the [carbon fiber rear diffuser] to the bumper and the underbody cover with the provided components.



C-3. Tighten the rear bumper underbody cover and trims that were removed during step A-1.

INSTALLATION MANUAL

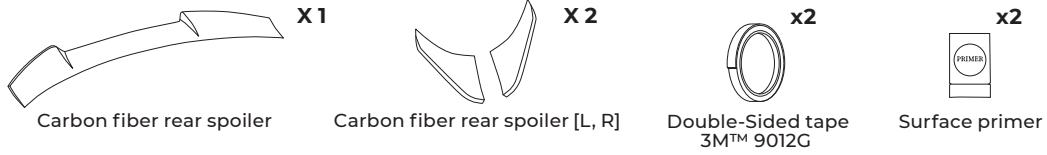
EV6 CARBON FIBER REAR SPOILER

*Professional installation recommended

ENG.

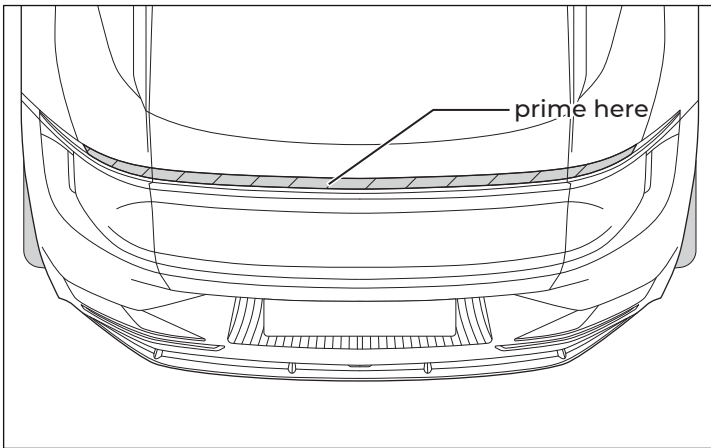
Page 1/2

Components

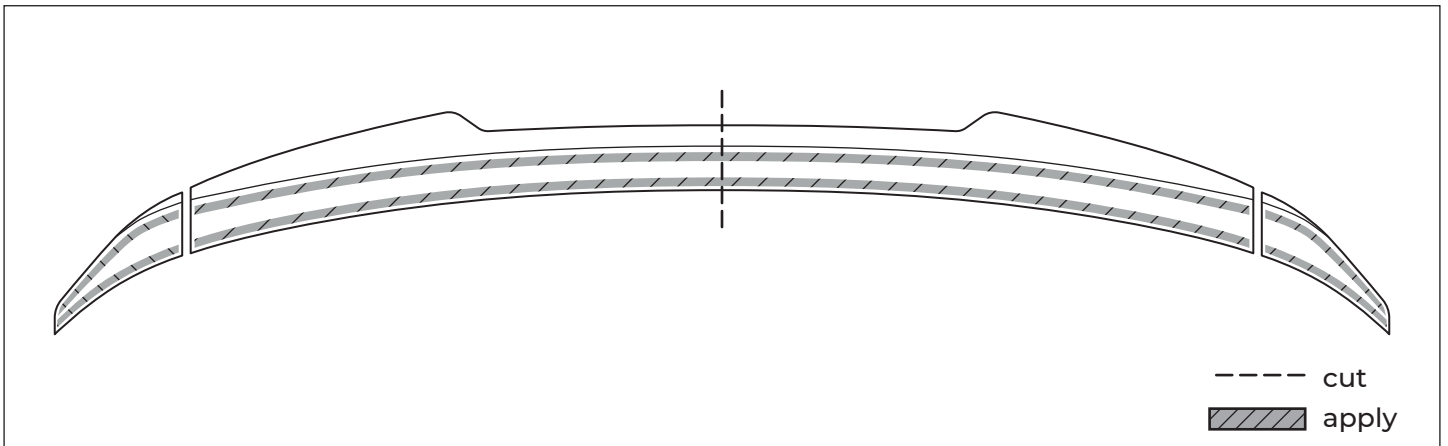


A. Prep

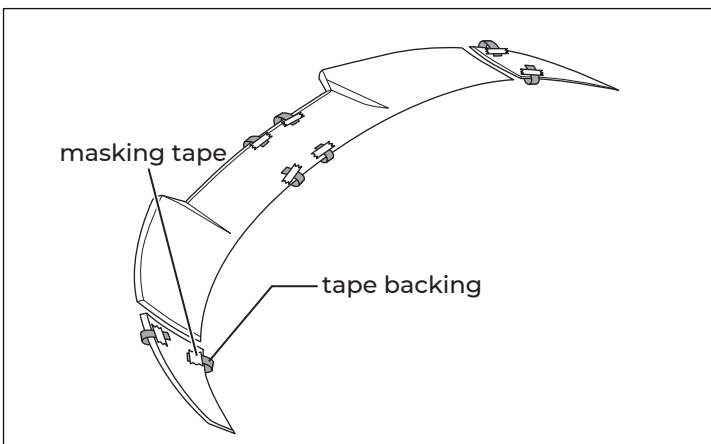
- A-1. Ensure that your EV6's rear tail light has been thoroughly cleaned and prep the rear tail light with the provided [surface primer]. *Be careful not to overuse the primer as it may damage the paint job.



- A-2. Prep the [carbon fiber rear spoiler] with the provided [surface primer] and apply the [double-sided tape] shown in the figure below.



- A-3. Fold a small tail of the red backing material from the [3M™ Double-Sided Tape] and secure it with masking tape so that the backing material is accessible.



INSTALLATION MANUAL

EV6 CARBON FIBER REAR SPOILER

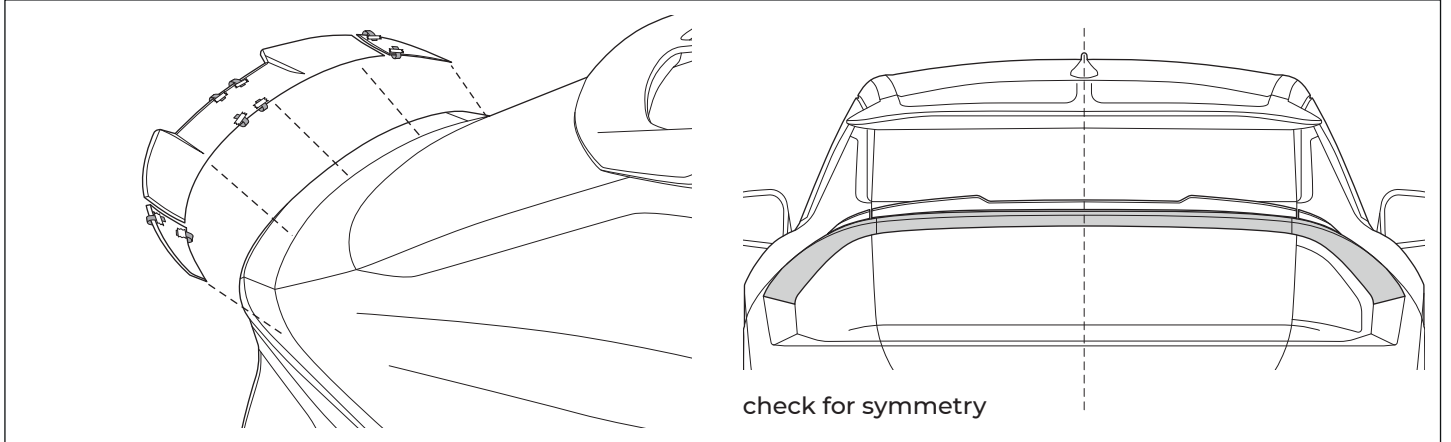
*Professional installation recommended

ENG.

Page 2/2

B. Fit & Install

B-1. Align the [carbon fiber rear spoiler] so that it is perfectly symmetrical. *Fit with care not to damage the vehicle.



B-2. Once it is properly aligned, pull the tails on the double-sided tape and firmly press along the taped areas to ensure proper adhesion.

