

On-Premises **Front Control** Dryer



With a large load capacity in a compact frame, each one of our single dryers is all business, all the time. This Huebsch dryer features an easy-to-clean lint compartment and the industry's largest door opening (2.06 sq ft, 1,913.8 sq cm) for faster loading and unloading. Huebsch single dryers are designed to suit your needs.

Quality

Durable, galvanized-steel cylinder with an extra-large 7 cu ft (198L) of volume handles your biggest loads.

Efficient

Efficient dryer heating with 20,000 Btu (5,043 kCal) (gas models) and up to 5,200 W (electric models), helps keep costs down and productivity up.



Icon keypad

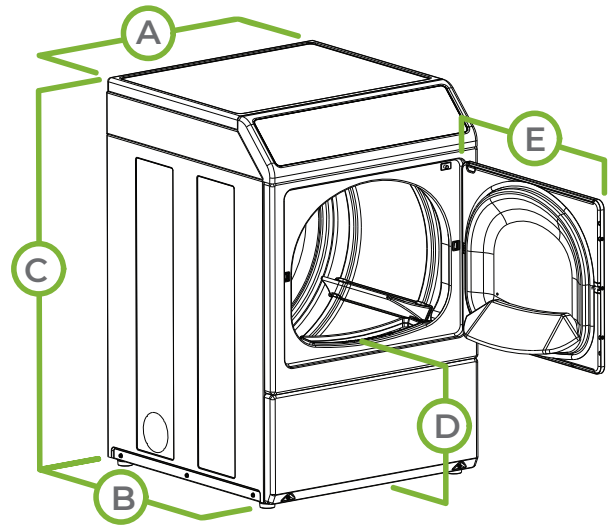
Electronic Control

The Electronic Control keeps users informed throughout the drying process with cycle-status lights and a digital cycle countdown. Users also have the flexibility to control temperature and dryness levels to achieve high levels of efficiency. Automatic (moisture-sensing) cycles come standard to prevent over-drying of your linens.

On-Premises **Front Control Dryer** Specifications

SPECIFICATIONS

Models	Electric	YDEE5BGS173CW01
	Gas	YDGE5BGS113CW01
Control Option	Electronic Homestyle	
Control Location	Front	
Capacity - lb (kg)	18 (8.2)	
Cylinder Volume - cu. ft. (liters)	7.0 (198)	
Overall Width - in (mm)	26.875 (683)	
Overall Depth - in (mm)	28 (711)	
Overall Height - in (mm)	40.42 (1027)	
Motor Power Consumption - hp (kw)	0.33 (0.25)	
Available Heat Sources	Gas or Electric	
Available Heating Element (Electric W)	5350 @ 240V	
Gas Inlet Connection - in (mm)	3/8 (9.5)	
Gas Consumption - BTU/Hr	22,500	
Exhaust Outlet Dia. - in (mm)	4 (102)	
Exhaust Airflow - cfm (liters/sec)	220 (105)	
*Available Cycles	Regular, Perm Press, Delicate, Time Dry, Quick Dry, Fluff Up	
Cycle Indicator Lights	Yes	
Cylinder Finish	Galvanized	
Available Colors	White	
Door Type (Solid/Window)	Solid	
Available Electrical Requirements - Voltage/Hz/Ph - Circuit Amperage	Electric	120/240/60/1 -30
	Gas	120/60/1 - 15
Shipping Dimensions Approx. - in (mm)	Width	29.5 (749)
	Depth	30.5 (775)
	Height	45 (1143)
Net Weight - lb (kg)	Electric	126 (57)
	Gas	130 (59)
Shipping Weight - lb (kg)	Electric	136 (62)
	Gas	140 (64)
Agency Approvals	Electric	cULus
	Gas	cCSAus



DIMENSIONS

A.	Overall Width - in (mm)	26.875 (683)
B.	Overall Depth - in (mm)	28 (711)
C.	Overall Height - in (mm)	40.42 (1027)
D.	Door Bottom to Floor - in (mm)	15.44 (392)
E.	Door Swing - in (mm)	23.5 (597)

Authorized Distributor



(519) 578-0300
 jdladouceur@onwardlaundry.com
 www.onwardlaundry.com

ADA Compliant

Note: Not all options are available for all models. Refer to the price list for the available models and options. Twelfth digit in model number indicates US or Canadian unit. C=Canada and T=US.

* Information shown applies to highest end control available.

For the most accurate information, the installation guide should be used for all design and construction purposes. Due to continuous product improvements, design and specifications subject to change without notice. The quality management systems at Alliance Laundry Systems are registered to ISO 9001.