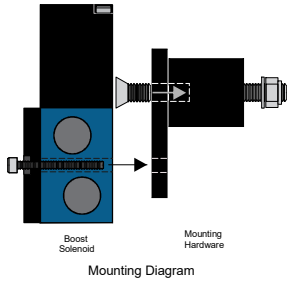


Boost Control Solenoid 4 Port
 1/8th NPT- 33Hz (inc hose fittings,
 rubber isolated mount and matching
 DTM 2 plug and pins set)

- Used to control a wider range of boost pressure.

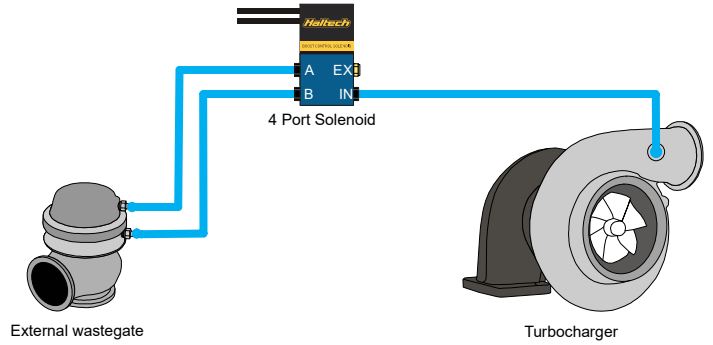


Termination	
Wire 1*	Switched +12v
Wire 2*	ECU Output
Note: Recommended Output control Frequency is 33Hz. * This part is not polarity sensitive and can be wired in either orientation.	

Connection Method

External Wastegate

- Port A : To top port of wastegate
- Port B : To bottom port of wastegate
- Ex Port : Vent to air filter / atmosphere
- In Port : To pressure only source from turbo



Tuning Notes

Please note if upgrading from a 3 Port solenoid control system your boost control settings and tables will need to be re-tuned

HT-020401



Revision #1

Need more help?

AUS: +61 2 9729 0999 **USA East:** (888) 298 8116 **USA West:** (949) 490 5660
Europe: +43 720 883968 **UK:** 0121 285 6650 **NZ:** 09 887 0616
www.haltech.com/support support@haltech.com

Boost Control Solenoid
4 Port 1/8th NPT- 33Hz
 (inc hose fittings, rubber
 isolated mount and matching
 DTM 2 plug and pins set)

HT-020401



Haltech Off-Road Usage Policy
 In many states it is unlawful to tamper with your vehicle's emissions equipment. Haltech products are designed and sold for sanctioned off-road/competition, non-registered or non-emissions controlled vehicles only and may never be used on a public road or highway. Using Haltech products for street/road use on public roads or highways is prohibited by law unless a specific regulatory exemption exists (more information can be found on the SEMA Action Network website www.semasan.com/emissions for state by state details in the USA).
 It is the responsibility of the installer and/or user of this product to ensure compliance with all applicable local and federal laws and regulations. Please check with your local vehicle authority before purchasing, using or installing any Haltech product.
Installation of Haltech Products
 No responsibility whatsoever is accepted by Haltech for the fitment of Haltech Products. The user is clearly on the installer to ensure that both their knowledge and the parts selected are correct for that particular application. Any damage to parts or consequential damage or costs resulting from the incorrect installation of Haltech products are totally the responsibility of the installer.
Haltech Limited Warranty
 Unless specified otherwise, Haltech warrants its products to be free from defects in material or workmanship for a period of 12 months from the date of purchase. Proof of purchase in the form of a copy of the original purchase invoice, receipt or bill of sale which indicates that the product is within the warranty period, must be presented to obtain warranty service. If the Haltech product is found to be defective as mentioned above, it will be replaced or repaired if returned prepaid along with proof of purchase. This shall constitute the sole liability of Haltech. To the extent permitted by law, the foregoing is exclusive and in lieu of all other warranties or representations, either expressed or implied, including any implied warranty of merchantability or fitness. In no event shall Haltech, be liable for special or consequential damages.
Product Returns
 Please include a copy of the original purchase invoice, receipt or bill of sale along with the unused, undamaged product and its original packaging. Any product returned with missing accessory items or packaging will incur extra charges to return the item to a re-salable condition. All product returns must be sent via a freight method with adequate tracking, insurance and proof of delivery services. Haltech will not be held responsible for product returns lost during transit. The sale of any sensor or accessory that is supplied in sealed packaging is strictly non-refundable if the sealed packaging has been opened or tampered with. This will be clearly noted on the product packaging. If you do not accept these terms please return the sensor in its original unopened packaging within 30 days for a full refund.
Returning a sensor or accessory product within 30 days of purchase: Product may be returned for credit or full refund. (Any sealed packaging must not have been opened or tampered with).
Returning a sensor or accessory product after 30 days of purchase: Product may be returned for credit only (no refunds given) and is subject to a 10% Restocking fee. (Any sealed packaging must not have been opened or tampered with).
Version 6.0