

PRINCIPAL APPLICATIONS

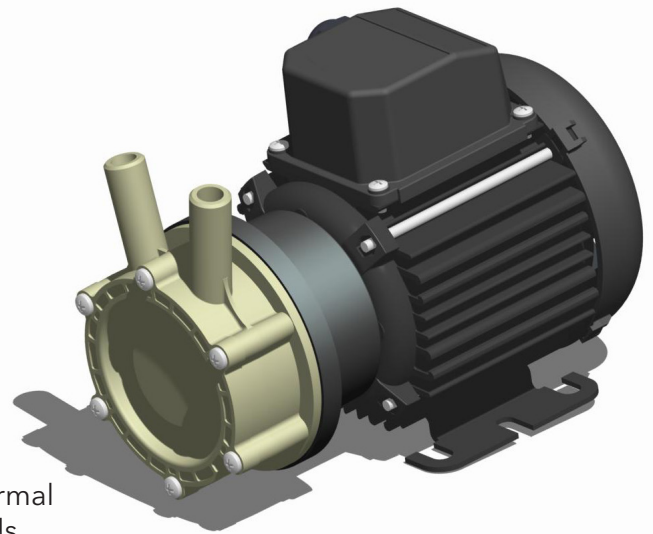
Designed for continuous recirculation of carbonated water, aggressive chemicals, chilled water, pure or precious liquids in high pressure systems

WETTED MATERIALS

- PPS Pump Body
- PPS Spindle Housing
- LCP Impeller
- EPDM O rings

FEATURES

- Magnetic couplings provide an energy efficient thermal shield, minimising heat transfer to the pumped fluids
- Manufactured in chemically resistant thermo-plastics
- Operating at an optimum flow rate of 5 litres/minute
- Temperature stability and product purity ensured
- Leak-free continuous operation
- IPX5 motor enclosure
- Low condensation
- Zero maintenance
- Long life



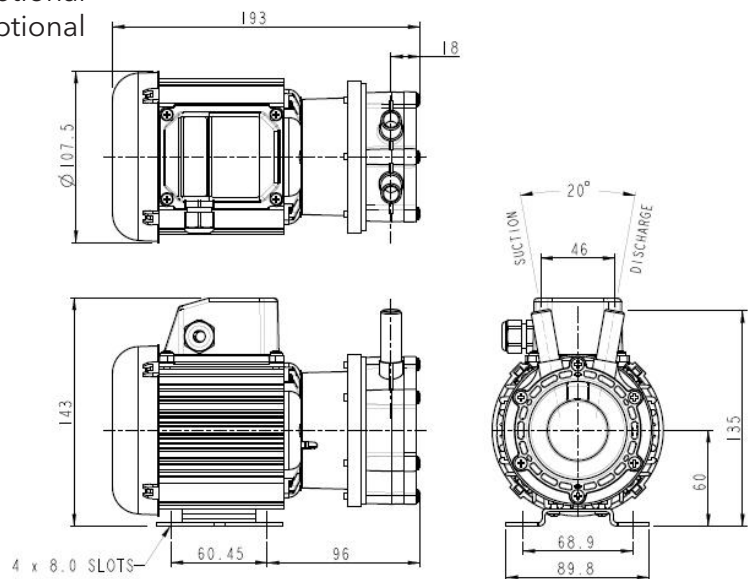
OPTIONS

GPR10/15

230V 1PH 50/60Hz
110V 1PH 50/60Hz

Port Details

1/2" standard, 15mm optional
1/2" standard, 15mm optional



DIMENSIONS

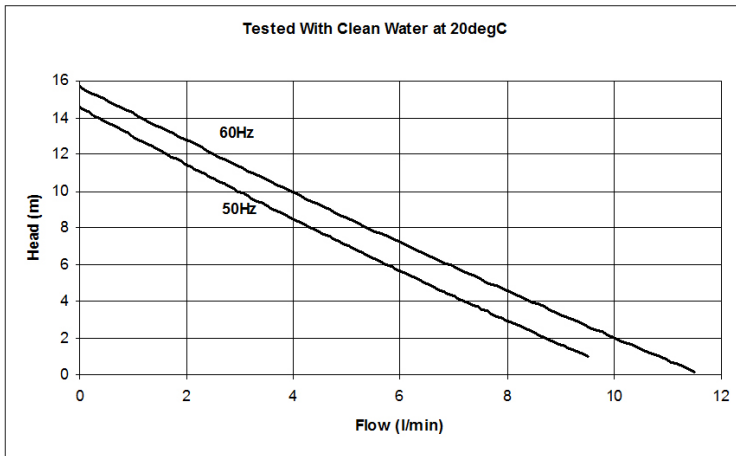
Drawings not to scale
Dimensions in millimetres

SPECIFICATION

Model	Overall height (mm)	Overall length (mm)	Overall width (mm)	Weight (kg)	Max body pressure (bar)	Run-out flow rate (l/min)	Closed valve head (m)	Temp range (degC)	*Max specific gravity	Motor output (watts)
GPR10/15	143	193	107	3.1	6	50 Hz 10.1	50 Hz 14.6	-20 to +85	1.0	60
						60 Hz 11.5	60 Hz 15.8			

*Assuming maximum viscosity of 30cp. Refer to Totton Pumps for higher viscosities and specific gravities

PERFORMANCE



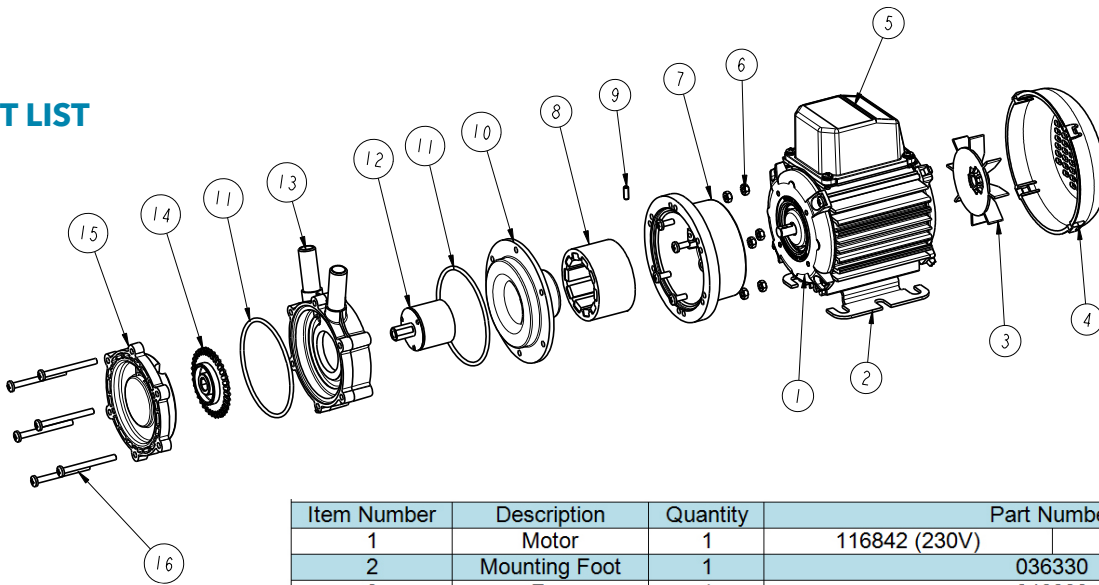
NOTE: These magnetically coupled pumps are designed for use with clean fluids.

Solids will cause jamming. Abrasives will reduce pump life and invalidate the warranty.

HPR pumps are not self priming and are not designed to run dry.

The company reserves the right to change specifications.

PART LIST



Item Number	Description	Quantity	Part Number	
1	Motor	1	116842 (230V)	116875 (110V)
2	Mounting Foot	1	036330	
3	Fan	1	046033	
4	Fan Cowl	1	036085	
5	Terminal Box	1	036078	
6	Nut	6	032105	
7	Adaptor	1	036324	
8	Drive Magnet	1	006287	
9	Grub Screw	1	001406	
10	Spindle Housing	1	036389	
11	O Ring	2	003398	
12	Driven Magnet	1	033292	
13	Pump Body	1	043316 ½" ports	043318 15mm ports
14	Impeller	1	033286	
15	Front Plate	1	043320	
16	Screw	6	022060	

xylem
Let's Solve Water

www.xyleminc.com

UK
Xylem
Bingley Road, Hoddesdon
Hertfordshire EN11 0BU
Tel: +44 (0) 1992 450145
Fax: +44 (0) 1992 467132

USA
Xylem
100 Cummings Center Drive
Suite 535-N, Beverly, MA 01915
Tel: +1 978 281-0440
Fax: +1 978 283-2619

ITALY
Xylem
Via Tommaseo, 6
20059 Vimercate, Milano
Tel: +39 039 685 2323
Fax: +39 039 666 307

GERMANY
Xylem
Oststrasse 28
22844 Norderstedt
Tel: +49-40-53 53 73-0
Fax: +49-40-53 53 73-11

JAPAN
Xylem
3-21-10, Shin-Yokohama
Kohoku-Ku, Yokohama, 222-0033
Tel: +81-045-475-8906
Fax: +81-045-477-1162

Warranty: All products of the company are sold, and all services of the company are offered subject to the company's warranty and terms of sale, copies of which will be furnished upon request. Details correct at time of printing. We reserve the right to change specifications without prior notice.