

QUICK START GUIDE




**Woolly
Bear**

TAXA
OUTDOORS

REV 1.1 | 10.30.22

Adventure Awaits



Congratulations on your new TAXA!

We hope you go somewhere we have never been (and tell us about it)!

We want you to go on adventures.

We want to make the RV go away.

How about AV (adventure vehicle)?

How about PTV (personal transformation vehicle)?

That is why we designed it the way we did. Who knew ceilings could be so useful? Please have a great time. Please support our nation's park systems. It takes work to keep things wild. Please take what you need and leave nothing behind! Keep everyone else's adventures pristine. Please be safe!

It is important that you thoroughly review this Owner's Manual. Please also consult it anytime you have a question regarding the use, operation, and maintenance of your trailer, and its systems and components. Your trailer has multiple systems, parts, and components, and understanding how they work is an important part of having a fun, safe travel experience.

We want your first and every adventure to be great. Have a practice session in your driveway.

Hitch that trailer up and drive it around the block. Get comfortable. Ask questions! Get answers to any questions, issues, or problems that arise during your practice, and call us when you need help.

Garrett Finney

TAXA Founder

OUT IS IN™

Contents

Habitat Overview

A quick overview of your habitat to familiarize key features and system locations.

Towing

Understanding the elements involved in towing & tips for a great experience.

Power Systems

Electrical systems overview to understand how your habitat is powered.

Hitting the Road

Prepping for your first camping trip in your habitat.

Habitat Maintenance

01

02

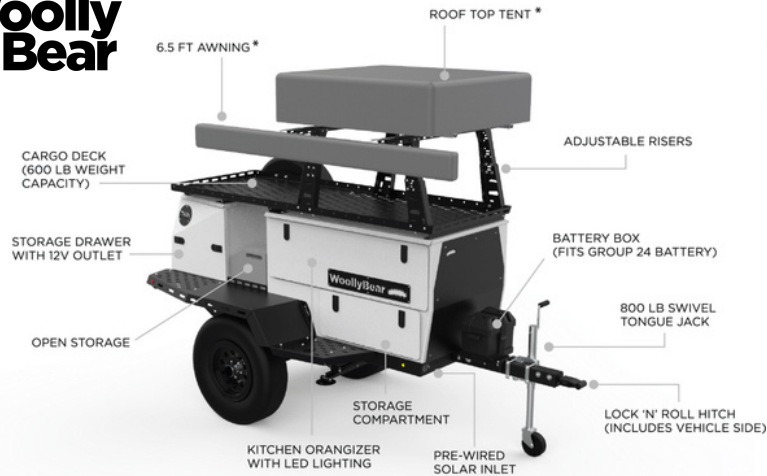
03

04

05



01 HABITAT OVERVIEW



Standard vs Overland

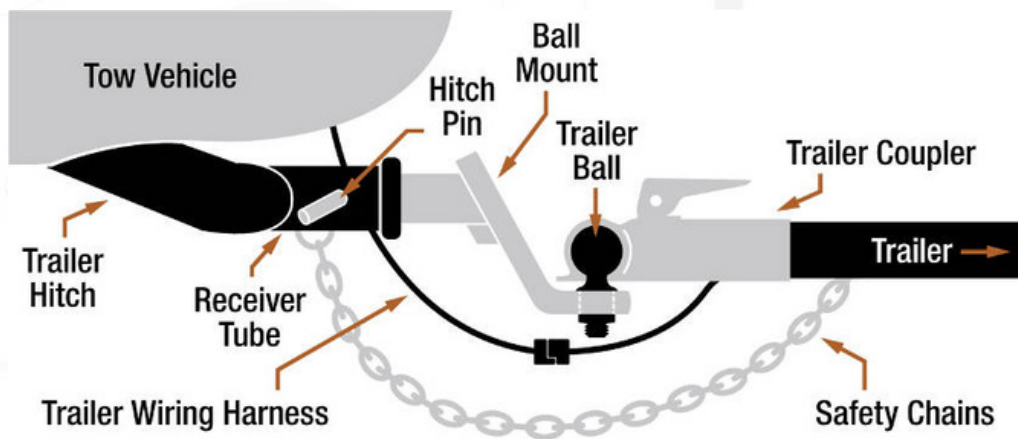
All TAXA habitats come in *Standard* or *Overland* editions. The key differences of the *Overland* edition are:

- Axeless Suspension
- Enhanced Stabilizer Jacks
- Upgraded Wheels + Tires
- Articulating Lock N' Roll Hitch



02 TOWING

Pulling a trailer for the first time can be daunting, but one of the stand-out features of all TAXA habitats is their ease of towing. We've prepped a complete guide to help set you up for success as you seek adventure with your habitat. Download our TOWING GUIDE to get started.



[DOWNLOAD TOWING GUIDE](#)



03 POWER SYSTEMS

Batteries

The 12V system in TAXA habitats fully supports all electrical components in the habitat including your LED lighting, 12-volt, and USB-powered appliances, water pump, the controller for the furnace and hot water heater, and an optional electric fridge/cooler.

Charging Options

Shore Power

Shore power refers to plugging into a power source from land. Shore power will supply power to the habitat in lieu of batteries while still maintaining and charging them.

Solar Power

All TAXA habitats come pre-wired for solar. Utilizing an SAE solar input, solar panels extend the life of your batteries while off-grid.

7 Pin / Tow Vehicle

When your tow vehicle is turned on and connected, and the battery cut-off switch inside the habitat is in the ON position, your battery will pull a charge from the tow vehicle.

Generator

Generators can extend your off-grid camping where your battery may not be enough, or your power needs are greater.

Want to dive in more? Read our Habitat Power Systems 101 post by clicking the button below.

[TAXA HABITAT POWER SYSTEMS 101](#)

04 HITTING THE ROAD

Camp Packing List

Finally ready to hit the road? We've made a comprehensive list of items to consider when making your personal packing list!

Remember that over time you'll dial in your ideal set of items for your adventures, so don't stress if you bring too much or too little on your maiden voyage. It's all about the journey! Check out our *Camp Packing List* by clicking the button below.

[CAMP PACKING LIST](#)



ADVENTURE TOGETHER

We're on a mission to transform the way we live, learn and play OUTSIDE! The TAXA Adventure Together Team will provide answers to all your questions about what you should expect as a TAXA Adventurer: how to prepare to pick up your TAXA Habitat, the gear we love and recommend for you to get started, and how to use all the awesome equipment inside your TAXA. We'll even be your on-call, expert friend during your first road trip (in the rare case anything comes up that you want to chat through)!

[JOIN ADVENTURE TOGETHER](#)

05

HABITAT MAINTENANCE

Keep your habitat in top shape with our easy to follow maintenance schedule.

Maintenance Items	Daily	Between Uses	Monthly	Yearly
Fresh Water System	As needed, top off / refill tanks if no potable water at site	Top off / refill tanks if no potable water at site	None	Sanitize Water System
Gray Water System	Drain gray water tank as needed	Drain gray water tank	None	Sanitize Water System
Propane System (Truma/HW/Stove)	None	Check tanks and replace / refill as required	None	None
Air Conditioner	Retract the AC, secure the locks, close the cover when not in use.	Retract the AC, secure the locks, close the cover when not in use.	Clean filter	None
Roof	Close when not in use.	Close when not in use. Clean roof of any debris / leaves that prevent closure	Close when not in use. Clean roof of any debris / leaves that prevent closure	Apply Anti Seize to hinges
Windows	Close when not in use.	Close when not in use.	Close when not in use.	None
Dometic Fridge/Freezer	None	Empty and wipe out between users	Empty and wipe out between users	None
Cassette Toilet	If needed, empty rolling cassette in proper disposal spot - usually an indoor toilet	Empty rolling cassette in proper disposal spot - usually an indoor toilet	Empty rolling cassette in proper disposal spot - usually an indoor toilet	Drain water for winter
Battery(ies)	None	Check charge on batteries. Set battery cut off switch to OFF if unit not in use	Check charge on batteries. Set battery cut off switch to OFF if unit not in use	Replace every few years
Time Required	10 min	20 min	1 hour	2 hours

NEED MORE INFO?

Head over to the TAXA Outdoors YouTube channel for loads of informative content.

SUBSCRIBE TODAY

