



2022

Mantis Owner's Manual



©2022 TAXA INC. v.4.2.010122

7930 Blankenship Dr. Houston, TX 77055

OUT IS IN™

Table of Contents



Welcome	4	Site Selection & Setup	28
Safety	5-6	Site Selection.....	28
Overview of Safety Precautions.....	6	Leveling & Stabilization.....	28
Pre-Travel Checklist	7	Habitat Setup	28
Interior.....	7	Ventilation & Moisture	29
Exterior.....	7	Ventilation	29
Considerations.....	7	Moisture & Condensation.....	29
Habitat Overview	8-13	Electrical	30-32
Troubleshooting	14-15	12V DC Overview.....	30
General Care & Maintenance	16-18	7-Pin Connector.....	30
Frame and Chassis.....	16	120V Circuit Breakers.....	30
Hitch Couplers.....	16	Battery	30
Safety Chains.....	16	Battery Installation.....	31
Jack.....	16	Inspection & Monitoring.....	32
Tires and Wheels.....	16	Charge Controller.....	32
Brake Adjustment.....	16	Charging.....	32
Sealants.....	16	Storage.....	33
Tent Sides.....	17	Dead Batteries.....	33
Ceiling, Interior Walls, Countertop.....	17	Appliances & Fire Extinguisher	33
Faucets and Fixtures.....	17	Refrigerator.....	33
Fabric and Upholstery	17	Fire Extinguisher	33
Checklist.....	17	Smoke Detector	33
Hitching	18-20	Carbon Monoxide Detector	33
Loading & Towing	21-22	Electrical Diagrams	34-41
Terms.....	21	Plumbing	42-53
General Weight Considerations.....	21	Fresh Water.....	42
Weight/Load Distribution.....	21	Water Pressure	42
Towing.....	22	Maintenance & Sanitation.....	42
Safety Chains.....	22	Truma Combi.....	43
Breakaway Switch.....	22	Water Pump.....	43
Tire Pressure.....	23	Water Heater.....	43
Brakes.....	23	Filling Fresh Tank.....	43
Lights.....	23	city water systems.....	44
Leveling.....	23	connecting to city water.....	44
General Towing & Driving.....	23	wastewater system.....	44
Swaying & Fishtailing.....	23	Emptying Grey Tank	44
Gradual Braking	23	Outdoor Shower and Hose	44
Minimize Quick Steering Movements.....	23	Routine Sanitation Process.....	45
Brakes	24	Emptying Water Heater.....	45
Breaking-In Brakes.....	24	Plumbing Diagrams	46
Brake Controller.....	24	Optional Bathroom.....	51
Connector.....	24	Roof & Tent Sides	52-53
Braking Tips.....	24	Roof Opening & Closing.....	52
Brake Adjustments.....	24	Installing / Removing Tent Sides	52
Tires	25-26	Awnings.....	53
Overview.....	25	Tent Windows.....	53
Fundamentals.....	25	Extreme Weather	54
Terms.....	25	Plumbing System.....	54
Load Range.....	25	Insulation & Heat.....	54
Tire Tread.....	25	Battery & Electrical System.....	54
Replacement.....	25	Extreme Cold & Heat.....	54
Repair.....	25	Winterization	55
Tire Pressure & Load Limits.....	25	Interior.....	55
Tire Pressure Steps.....	26	Chassis.....	55
Important Reminders.....	26	Exterior.....	55
Tire Safety Checklist	26	Movement.....	55
Wheels	27	Plumbing System.....	55
Wheel Nut Torque.....	27	Electrical System.....	55
Wheel Nut Torque Adjustment.....	27	Bringing Out of Storage	56
Pre-Trip Torquing Procedure	27	Authorized Dealers	57
Balancing, Alignment, & Lubrication.....	27	Limited Warranty	58

Welcome!

Congratulations on your new habitat!

We hope you go somewhere we have never been. Then we hope you share it with us and our (your) community.

We hope you stay safe and sane and make the best of every new adventure. These days are strange and hard but the outdoors always beckons and always refreshes.

The habitat has a new modular storage system of spaces and crates that we hope you love. It is designed to stow ubiquitous items safely and in their place AND allow you to do the same with the odd or special items you and only you bring to the great outdoors. It is designed to let you live indoors and out as seamlessly as we can devise to date. We have a new orange tent that will revive a favorite view of mine – habitats glowing like gentle lanterns in the night – and the orange also harkens back to Taxa's original tent color. The same tent has a new front window where both the solid panel and screen can be unzipped, giving you unfettered access to the front roof portion from the inside of your habitat. I suppose the same goes for chipmunks and marmots so be aware....

Buying a habitat is different than buying a vehicle – you don't just hitch up and go – plotting and planning and outfitting and optimizing is part of the fun. Taxa habitat is a product of course but it is even more an investment in your lifestyle. You grow into it. We have a set of wonderful Habitat Specialists and an even more wonderful community that will help!

Please support our nations' park systems. It takes work to keep things wild and we are an essential part of that work as users, as stewards, as advocates. Please take with you only what you need and leave nothing behind!

As ever:

It is important that you thoroughly review this Owner's Manual. Please consult it anytime you have a question regarding the safe use, operation, or maintenance of your habitat and its systems and components. Understanding how they work is an important part of having a fun, safe travel experience.

We want your first and every adventure to be great. Have a practice session in your driveway. Hitch that habitat up and drive it around the block. Get comfortable. Ask questions! Get answers to any questions, issues or problems that arise during your practice. Get answers from the community, from our FAQs and specialists – send us an email. Give us a call or email us at customerservice@taxaoutdoors.com. Many questions can be answered quickly and easily and save you a lot of hassle.

Best,

Garrett Finney,
TAXA Founder

YOUR OWNER'S MANUAL

Make this Owner's Manual a permanent part of your habitat, download it to a smart device you carry with you or print it out to keep it with the habitat at all times. Keep the manuals, stickers, and tags associated with your habitat's items, add-ons, appliances, and equipment in the habitat as well for easy reference. All manuals, including components with pass thru warranties etc., are available on our website on the manuals page - <https://taxaoutdoors.com/manuals/>

This manual is not intended to be inclusive of every operational aspect of your unit. It should be utilized and referenced by you in conjunction with the separate, additional manuals provided by the manufacturers of the different components, component parts, appliances, add-ons, systems, and accessories in your unit. Your unit will contain any such manuals provided to Taxa Inc. by the specific component part, appliance, add-on, system, and accessory manufacturer. Please read them to gain a more complete understanding of the operation and maintenance of the products and appliances installed in your habitat.

READ THE ENTIRE MANUAL AND OBEY ALL CAUTION, WARNING, DANGER AND OTHER SAFETY-RELATED STATEMENTS PRIOR TO OPERATING YOUR HABITAT.

PLEASE NOTE

This Owner's Manual contains the most up-to-date product information available at the time of publication. However, due to continuous product development, innovation, and improvements, Taxa Inc. reserves the right to make changes in production techniques/processes, product materials, product specifications, and components. Such changes may be made without prior notice or any obligation upon Taxa Inc. to make corresponding changes or improvements in or upon its already manufactured, installed and/or sold habitats and/or products. Please visit our website at www.taxaoutdoors.com, <https://taxaoutdoors.com/manuals/> to check for manual updates and our current manual.

SAFETY TERMS

We have included various safety messages in this manual, all of which are important. Please read and obey them. The following are safety-related terms and symbols referred to in this manual and their corresponding meanings/definitions:

DANGER indicates an imminently hazardous situation that, if not avoided, will result in death or serious injury.

WARNING indicates a potentially hazardous situation that, if not avoided, could result in death or serious injury.

CAUTION indicates a potentially hazardous situation that, if not avoided, may result in minor or moderate injury.

NOTICE is used to address practices not related to personal injury. This applies to hazardous situations involving property damage or important information regarding the maintenance of your vehicle.

SAFETY

OVERVIEW OF SAFETY PRECAUTIONS

You'll find various safety-related references, discussions, and instructions throughout this owner's manual, and all of them are important. This overview is not an exhaustive list of the safety issues discussed or contemplated in this manual. Please carefully read and follow all safety issues discussed in this manual. If you have any questions regarding habitat safety issues, please contact your dealer and/or Taxa Inc. - customerservice@taxaoutdoors.com takes you to all of us - general questions, service, warranty, sales) The following is a broad snapshot of a few of the more common safety instructions/discussions/issues in the use and operation of your new habitat:

- Be sure load/cargo weight does not exceed your GVWR and that weight is distributed properly before travel. Please refer to the "Loading" section.
- Fully close-up and lock your habitat before towing to ensure efficient and safe transportation.
- Be sure safety chains and breakaway switch have been properly attached and secured as part of your hitching up process.
- Be sure to have a qualified technician conduct the maintenance, service, and adjustments on your brakes periodically and as needed. Do NOT travel until all brake problems, if any, are fixed. See "Brakes" section.
- Test your blinkers, brakes and lights before towing on a public road, confirming that they are working properly and in synchronization.
- Do not allow passengers to ride in the habitat during travel. The transport of people puts their lives at risk and is illegal.
- Be vigilant in your tire inspection and maintenance. Properly maintained tires improve the steering, stopping, traction, and load-carrying capability of your habitat and tow vehicle. Under-inflated tires and overloaded vehicles are major causes of tire failure. Please refer to "Tires" section for a more detailed discussion on your tires and tire safety.
- Keep your habitat well-ventilated. Please refer to the "Ventilation" section for details.
- Clean your potable water hose, and drain and clean holding tanks periodically and / or as needed.
- Be sure all electrical uses and activities involve proper grounding.
- Reduce fishtailing & sway. Excessive sway of your travel habitat can lead to the rollover of the habitat and tow vehicle, resulting in serious injury or death. This is usually due to incorrect loading of the habitat but can also result from road conditions or can indicate habitat damage. You may choose to install a separately purchased sway control device to help reduce sway. Be sure to contact your dealer or Taxa Inc. if you have any questions regarding sway control device alternatives. Please also refer to the sway and fishtailing discussion in the "Towing" section.

PRE-TRAVEL CHECKLIST

INTERIOR

- Turn off all switches at the kitchen switch panel or on the ceiling.
- Turn off and close all appliances, if not in use. You may keep the refrigerator on while driving.
- Be sure your cargo berths are secured, and close and latch all windows
- Be sure the roof top is closed and latched properly at all locations from inside and outside.
- Be sure tent fabric is secured but not pinched.
- Be sure the shoreline power cord, 7-pin connector and hoses are secured (and properly attached, if applicable).
- Close and lock both doors.

EXTERIOR

- Be sure the stabilizer jacks and door step are fully raised and secured.
- Be sure wheel lug nuts are tight and secure.
- Check that all tow vehicle and habitat lights and brakes are working in synchronization.
- Check brakes with multiple applications in an empty parking lot.
- Confirm the brake controller, if any, is operating properly.
- Be sure the hitch assembly is secure, and that safety chains and breakaway switches have been properly attached.
- Check underneath habitat for any damage or displacement.
- Emptying water tanks prior to travel will decrease tow weight and improve fuel efficiency of your tow vehicle.

WARNING: DO NOT ALLOW ANYONE TO RIDE IN HABITAT WHILE IT IS BEING TOWED.

Note: This is not an exhaustive list nor is it intended to be. Use common sense when preparing for a trip and all other helpful resources available to you.

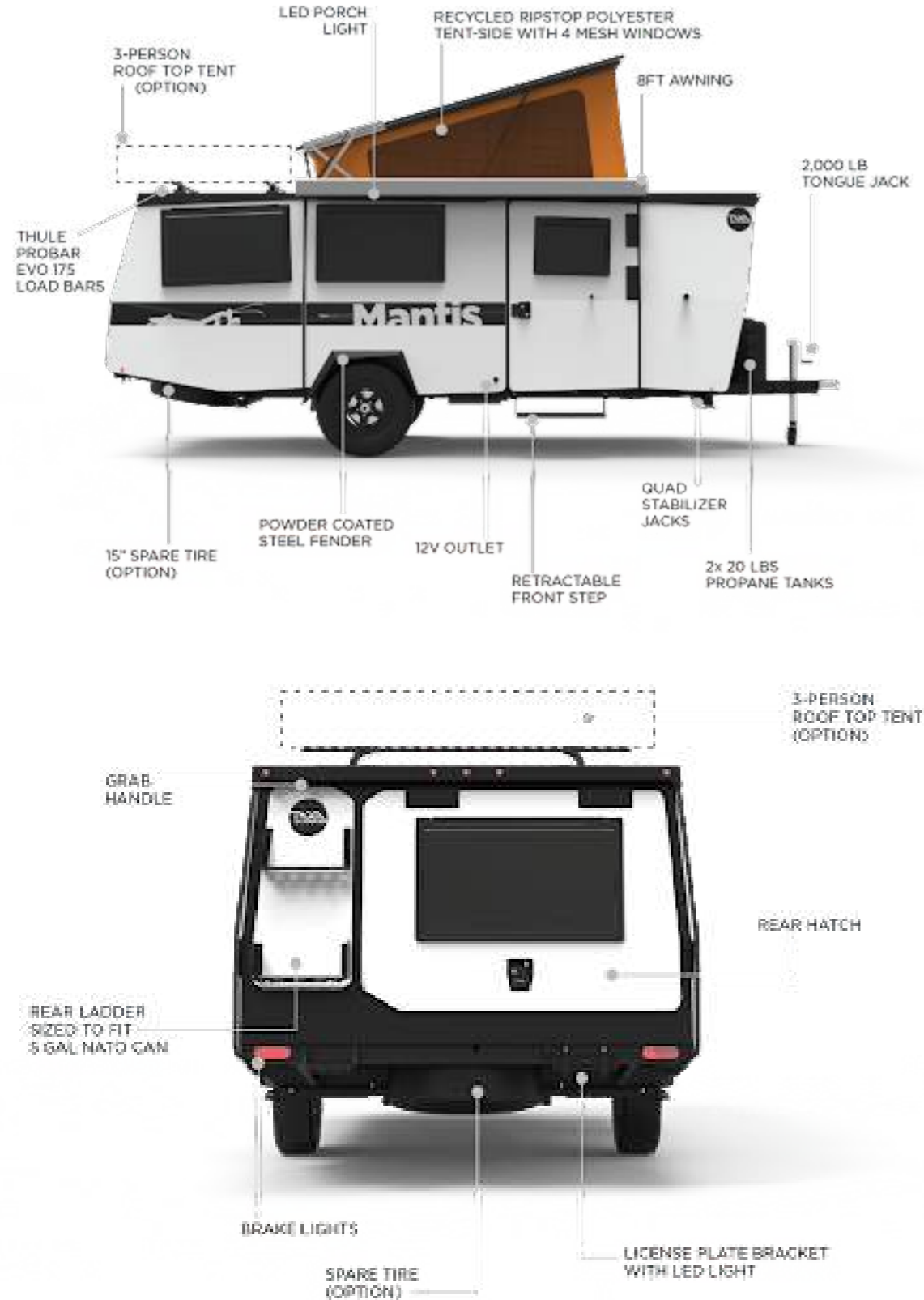
OTHER IMPORTANT PRE-TRAVEL CONSIDERATIONS

- Be sure to pack wheel chocks and blocks.
- Be sure roof rack cargo, if any, is secure.
- Be sure to monitor your battery's charge before and during your trip. Charge battery before traveling, if necessary.
- Read and follow the manual and all pertinent instructions provided to you by your tow vehicle manufacturer.
- Be sure the tow vehicle is operating fully before any trip, correcting any problems before travel.
- Bring a flashlight and batteries.
- Make sure your cell phones are charged and that you have phone chargers.
- Bring extension cords, if necessary.
- Take a spare tire.
- Check for any potential fire hazards, and eliminate them, if any.
- Weigh your load before the trip, making sure it does not exceed your GVWR.
- Contact your dealer or Taxa Inc. if you have any questions before your trip.

HABITAT OVERVIEW

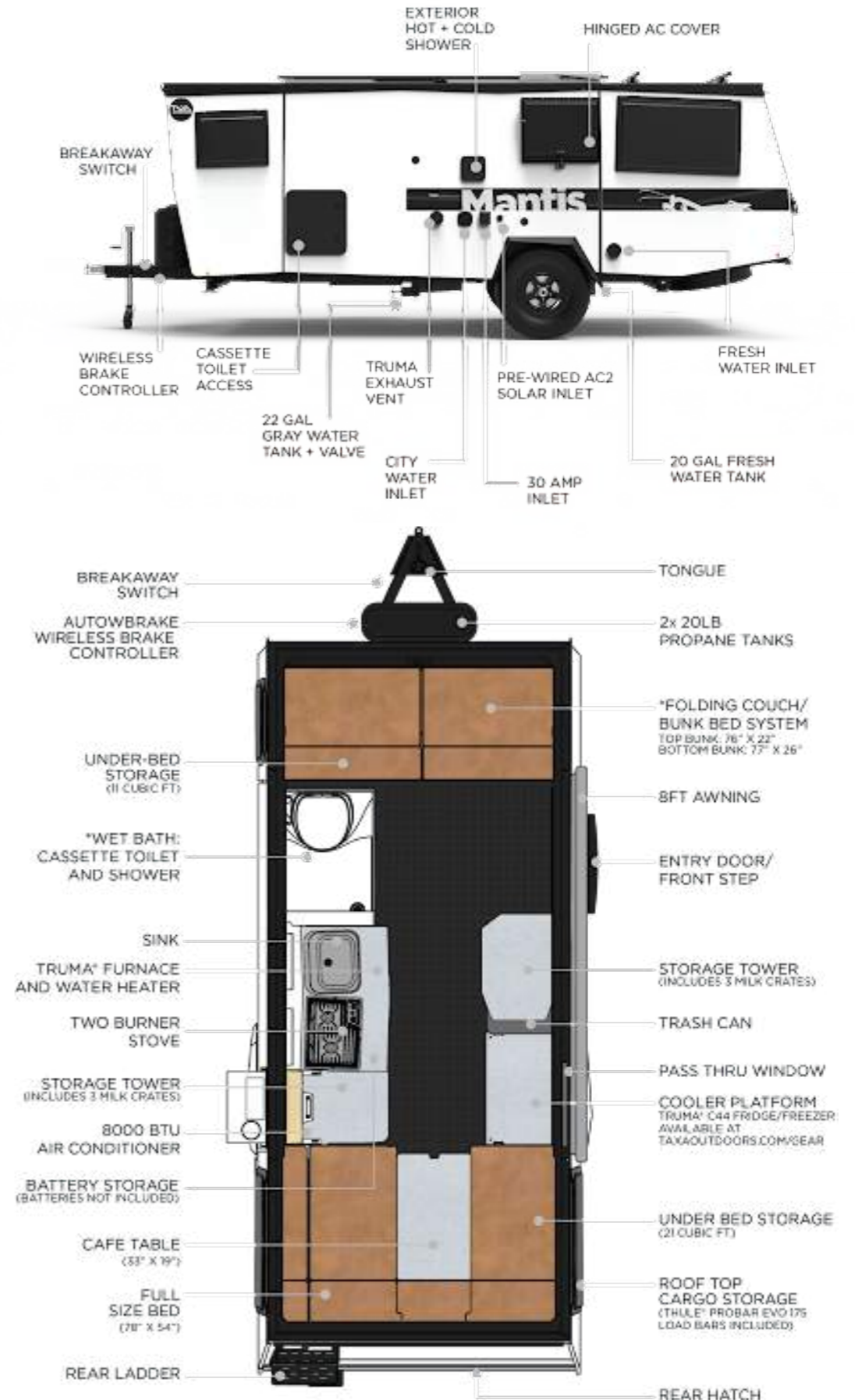


The Mantis is for anyone and everyone. We thought mostly of families but I know all sorts of families so I should be a little more specific! It can sleep up to four full sized people in its berths - two of those people can share a double bed with the others in single bunks. Add hammocks and or a rooftop tent and you could theoretically get up to 8 in and on there - kids, grandkids, agile dogs and ferrets, more friends, a Nubian goat. We at Taxa are agnostic about who and what you camp with. We just love to help you get there.



HABITAT OVERVIEW

INTERIOR

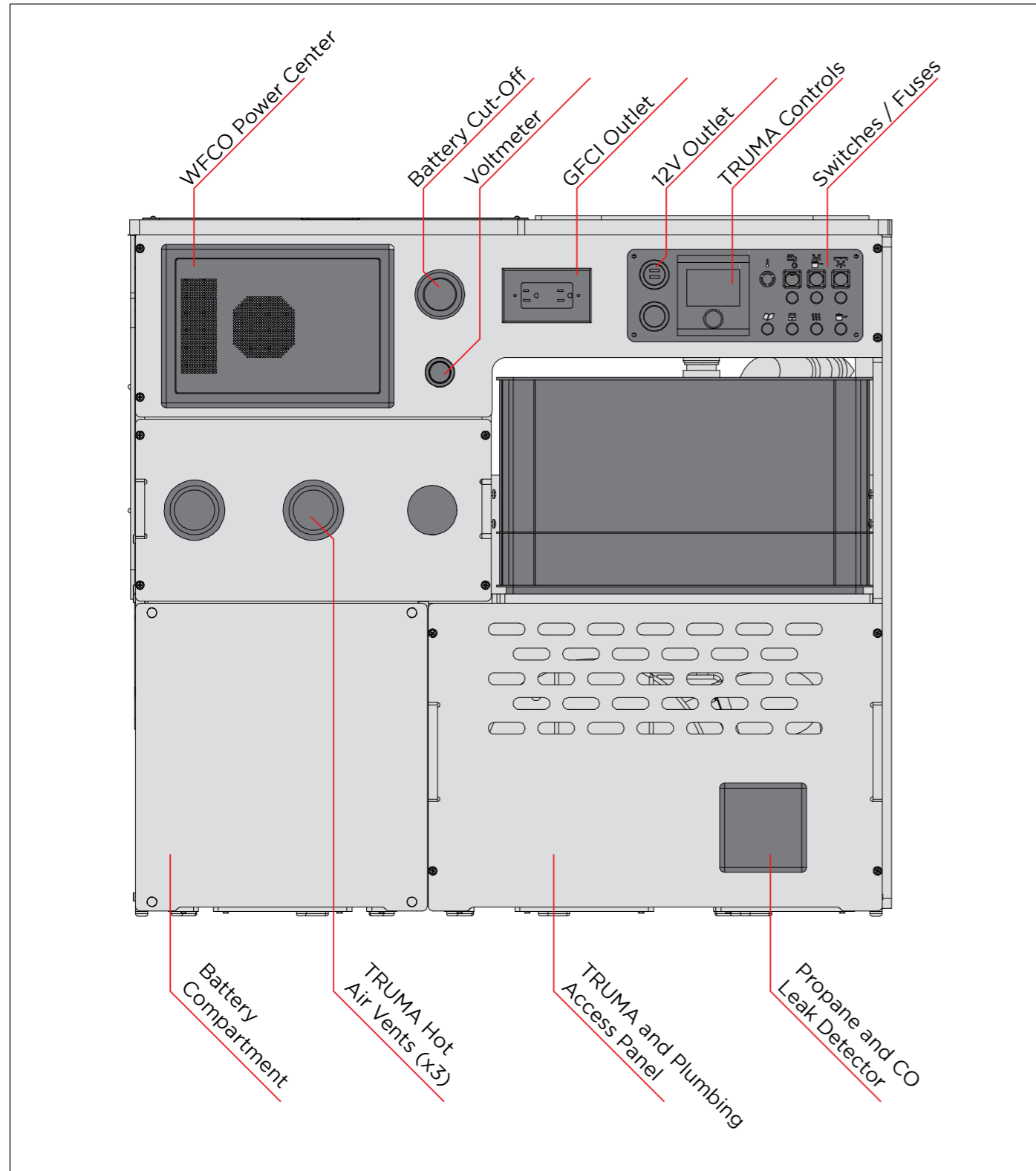


HABITAT OVERVIEW



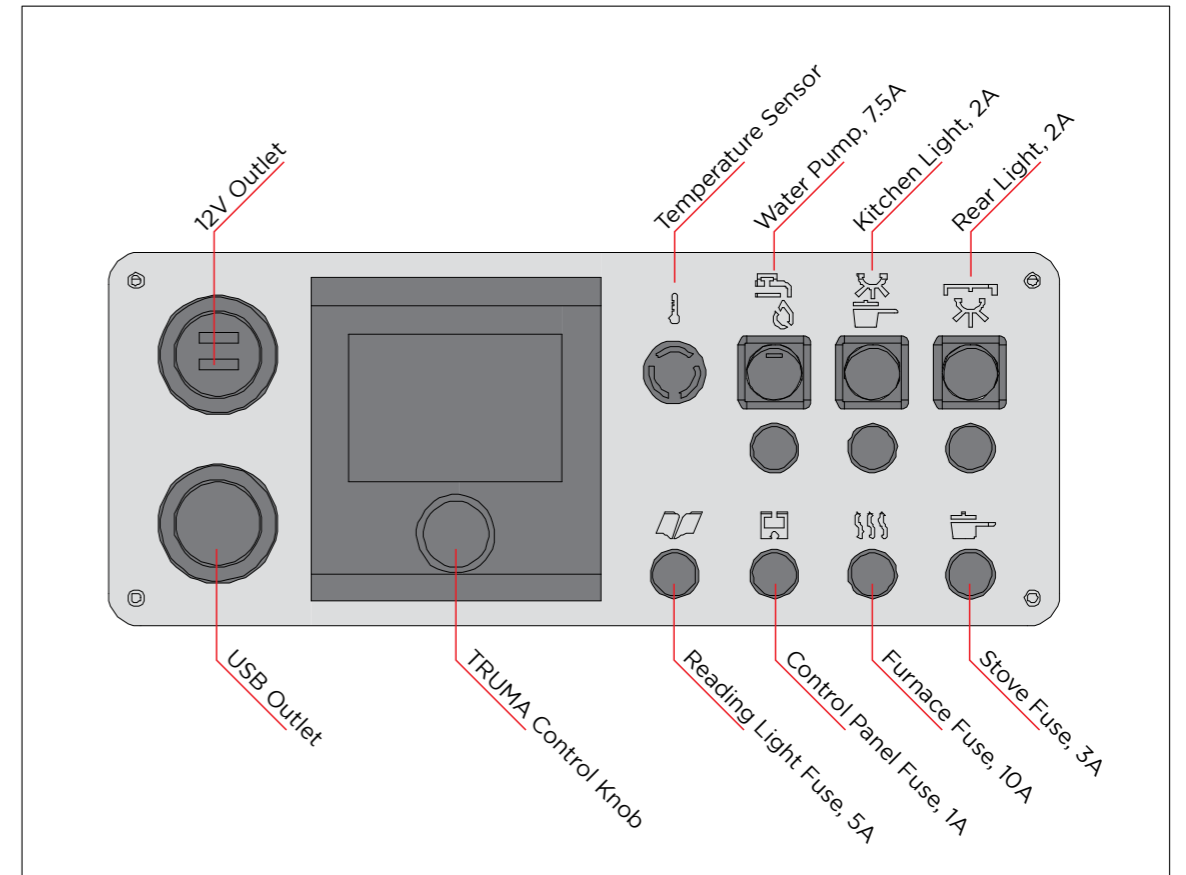
Please familiarize yourself with the controls, features, and functionality of your habitat using the following diagrams.

2022 Mantis Kitchen Diagram

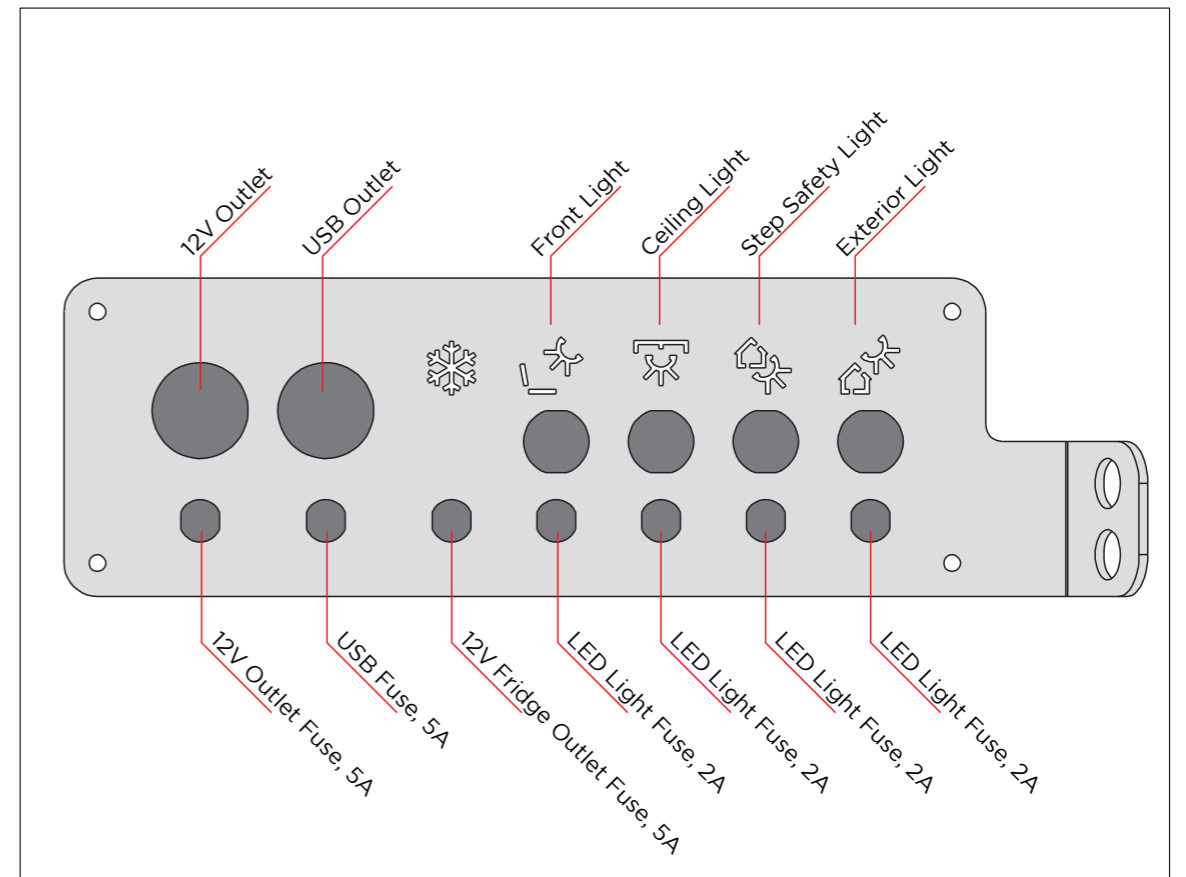


HABITAT OVERVIEW

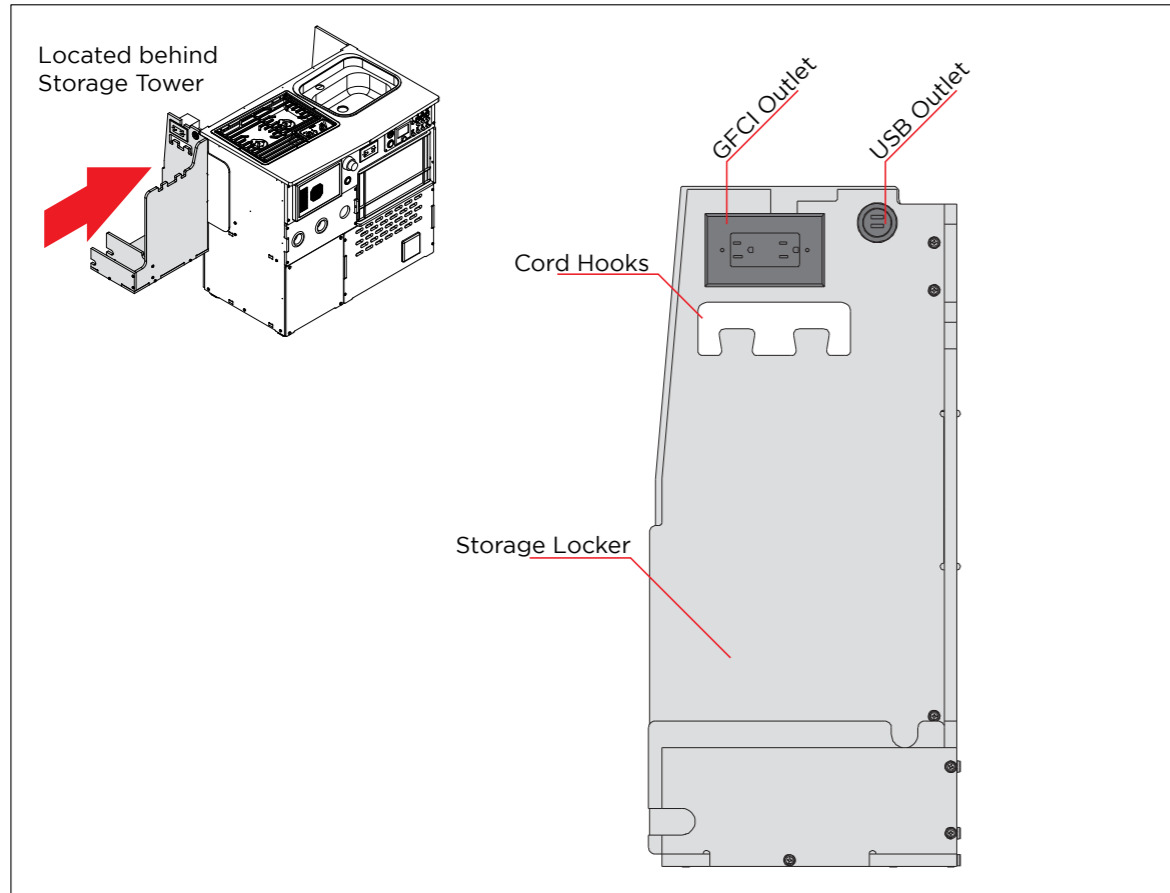
2022 Mantis Truma Control Panel



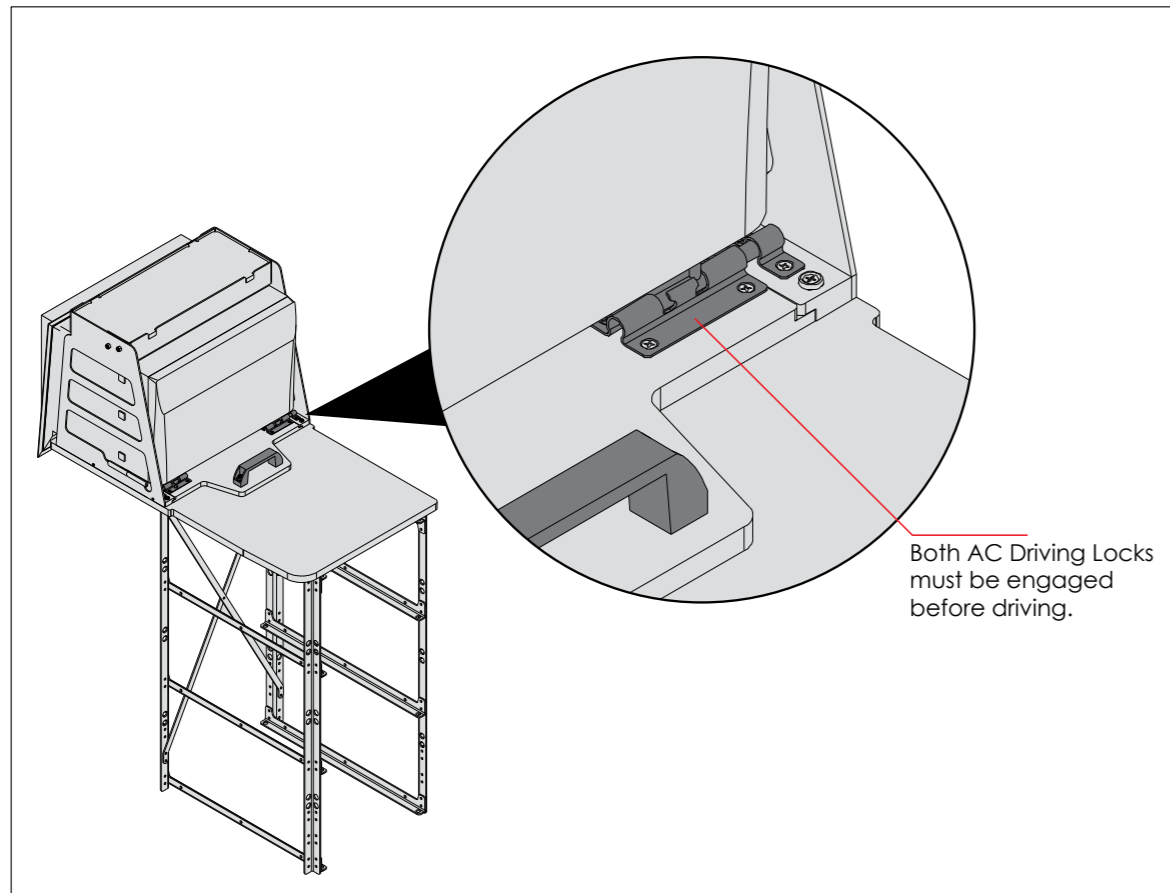
2022 Mantis Entryway Switchplate



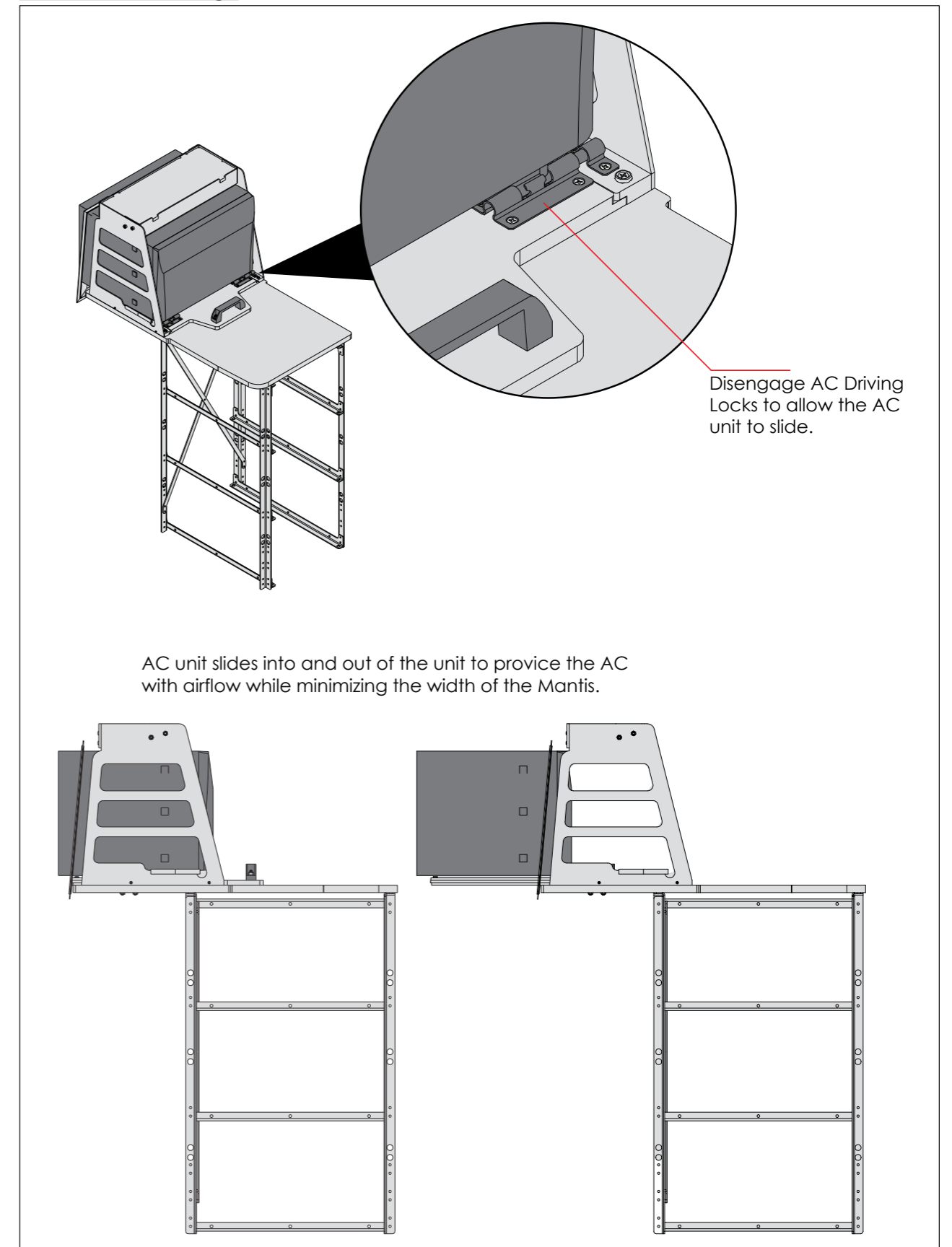
2022 Mantis Storage Locker Diagram



2022 Mantis AC Locking



2022 Mantis AC Usage





Plumbing

Description	Likely cause	Fix
Sink backed up	Gray water tank full	a. open gray water valve to drain
	Sink Trap clogged	Remove kitchen access panels to access plumbing (secured with three bolts). Squeeze or remove trap to loosen clog.
Sink leak	Loose connection	Inspect sink drain, p-trap, and drain hose, tighten where necessary
Shower leak - Exterior	Loose connection, sand / grit in quick disconnect	Flush out exterior quick disconnect with water to remove grit
Shower leak - Interior	Loose connection(s) or bad washer	Tighten connection between shower wand and hose; between hose and faucet; remove faucet and replace rubber washer.
Shower drain leak	Loose connection	remove access panel below shower, visually inspect and tighten connections.
Plumbing leaks behind kitchen cabinetry	Loose connection	Pressurize system, observe leak spot. Tighten hose clamps and or push pull fittings.
Plumbing leaks under habitat	Loose connection	Check plumbing connections in problem area and tighten if loose
Water heater leak	loose connection or over pressured water.	Check push pull connectors at heater (push and pull them to check if one is loose!) at heater. Remove and re-insert. Ensure city water is below 125PSI and is being regulated by pressure regulator at inlet.
Low water pressure	Drawing air in water supply line	Tighten line by checking connections back to water tank from sink; tighten or re-connect. Check connection also beneath habitat. Sometimes you can hear air entering line when water pump is turned on.
Fresh tank won't fill	Hose improperly inserted	Use fill line connector
	Vent blocked up or crimped	Blow out vent line (small hole just above fill area) If crimped, remove bend in line. (accessible by removing service panel beneath Vberth)
Water pump not working	Check fuse beneath water pump switch at kitchen.	
		Replace pump
Water heater not working	no hot water	Verify that furnace (heat) is working. Check LCD control panel to make sure setting is correct, not on a timer that timed out. Check top of furnace unit itself to verify that small switch is in ON position. Note that water heating speed depends on inlet temp.
	no power (no LEDs on unit)	Check fuse on switch plate at kitchen.
	if propane	Check GFCI breaker where heater plugs into outlet beneath cabinet. Reset.
	if propane	check TRUMA manual troubleshooting check propane supply and valves



Electrical

Description	Possible cause	Fix
120v circuit breaker pops	Wet extension cord	Dry cord, reset breaker.
Battery not charging (see LED volt monitor: - a well charged battery is between 12.6 and 12.8V - a charging battery is -13.4V if habitat is plugged in to 120v - + -.2V if solar or vehicle charging)	7-pin connection short	Check tow hitch connection and wiring. Verify that interior volt meter jumps up in voltage when car is turned on and 7 pin is in position. Check for loose or burnt wires in connector.
	Converter/charger	Check habitat end connection Test converter charger; replace converter element if necessary
	Battery charge	Check 30 amp fuses at WFCO Test battery
Circuit interruption	Overloaded circuit	Throw circuit breakers or replace fuses.
Lights flickering	Battery not charged	Check battery charge
Fridge not functioning	Battery not charged	Check battery charge
	Blown fuse in fridge plug	Check inline fuse in frig plug (green LED should be on in plug when functioning)
	Blown fuse in WFCO check ON/ OFF LEDs	Check fuse position #4 inside of frig, top left are on/off and temp settings
Ceiling lights not functioning	Blown fuse in WFCO	Check fuse # 2
Kitchen 12v outlet not functioning	Blown fuse in WFCO	Check fuse #3
Exterior 12v outlet not functioning	Blown fuse in WFCO	Check fuse #1
Kitchen counter lights not working	popped circuit	Check glass fuse beneath switch
Red step light not functioning	popped circuit	Check glass fuse beneath switch
Hot Water Heater not turning on	popped circuit	Check glass fuse beneath switch
Water pump not turning on	popped circuit	Check glass fuse beneath switch

Exterior Leaks

Description	Possible cause	Fix
Roof leak	Roof latch loose	Adjust interior roof latches, tent side, ensure fabric and window toggles are preventing best seal
	damaged weatherseal	inspect, replace if required
Leak through tent side	Tent side not installed properly. Tent window open during rain.	Reinstall tent side (see SITE SELECTION AND SETUP)

Doors, Windows, Tent Sides, and Graphics

Description	Possible cause	Fix
Side door gap	Missing/misaligned door gasket	Install door gasket
Key will not turn in cylinder	dirt or grit	Lubricant such as WD40
Window will not close	dirt or grit	Lift window to full open position. It should now go all the way down. Repeat if required
Window gap	adjust latches	interior latches have two locked positions, one closes to weather and dust, other leaves 1/8" gap
Broken window arm	Misuse	Install new part by pressing pin hole, removing broken arm, and replacing



Regular care & maintenance of your habitat is important in furthering safety and dependability. Keep good records of all service and maintenance performed on your habitat. These records may be necessary for limited warranty purposes or may assist in future repairs. Always refer to the manufacturers' care and maintenance recommendations for installed appliances. Your habitat's exterior is made of painted aluminum composite panels, which are durable and easy to maintain. Aluminum is lightweight and relatively soft, naturally showing wear over time. Cosmetic marks are intrinsic to aluminum and do not constitute a fault in material or defect in workmanship. Routine maintenance is the best way to minimize and guard against cosmetic changes due to weathering. Wash the habitat exterior with a soft cloth, warm water and soap thoroughly, paying special attention to the graphics. Never use strong solvents or abrasives when cleaning. Also, be aware that power buffers and high pressure washers may damage or totally remove the graphics.

See also the following summary of do's and don'ts:

- Do use soft cloths to clean.
- Do be careful around graphics, washing with the graphics, not against them.
- Do not use products containing ammonia or caustic, harsh cleaning agents.
- Do not use high-pressure washers, rotating brushes (i.e. in-car wash facilities), or power buffers.
- Do not dry wipe surfaces.
- Do not use rubbing compounds.

FRAME AND CHASSIS

Over time, various weather and climate conditions may lead to corrosion of your habitat frame and chassis. Be sure to rinse the habitat undercarriage, wheel wells, hitch and bumper of all dirt, oil, tar, salt, and other debris periodically and as needed. Remember to routinely inspect for evidence of rust. Do so frequently when camping in or near coastal regions.

HITCH COUPLERS

Inspect hitch couplers before each trip. Clean and lubricate the ball socket and clamp monthly using wheel bearing grease. If the hitch assembly and coupler appears damaged in any way, contact your dealer and resolve the problem before travel.

SAFETY CHAINS

Inspect safety chains before each trip. Replace them before traveling if they are damaged or compromised in any way.

JACK

Inspect and test the jack before each trip. Clean and lightly apply oil periodically and as needed. If your jack needs repair or other service, see a qualified technician.

TIRES AND WHEELS

Inspect your habitat tires, checking air pressure regularly and before each trip. Keep them inflated to recommended pressure, which is located on the tire sidewall. Keep a tire gauge in your tow vehicle or habitat. Have the tires rotated by a qualified technician at least every 5,000 miles.

BRAKE ADJUSTMENT

Have your habitat's electric brakes adjusted after the first 200 miles. Have them tested for brake drag every 3 months or 3000 miles, whichever is earlier. When adjusting brakes on any vehicle, either replace or adjust all brakes at the same time, or at least both brakes on the same axle. Qualified service personnel should perform all required work on brakes.

SEALANTS

Inspect all sealants/seals (i.e. doors, windows, plumbing components, undercarriage) every ninety (90) days, when the seasons change, and before each trip. During your inspection, look for cracks, voids, shrinkage, and any other sign of deterioration. Replace sealant where necessary, using the same type of sealant. Contact your dealer or Taxa Inc. for suggestions concerning replacement sealants.

TENT SIDES

You may clean your habitat tent sides periodically with warm soap and water and then dry. The tent sides are made out of waterproof, flame retardant, breathable, ultra-violet treated, high-performance material. While very durable, no fabric lasts forever.



The best storage procedure, if the habitat is stored out of doors, is to park it under the cover of a roof, cover, or tarp. Keep your tent sides dry when possible to avoid prolonged exposure to mildew, which may damage them. If you have mildew, use the following recipe:

1. Mix 1 cup of salt, 1 cup of lemon juice, and 1 gallon of hot water
2. Wash moldy/mildew areas of the tent with a sponge
3. Let dry

Be aware that wind, water, sun, pollution, debris and neglect may all degrade your tent side fabric over time. Have the tent side repaired at the first sign of fraying or tearing. Take care to protect the fabric from metal parts.

CEILING, INTERIOR WALLS, COUNTERTOP

Clean with soap or other mild, non-abrasive cleaner, warm water, and a damp cloth. Do NOT use strong, harsh chemicals, and limit water/moisture exposure to ceiling and walls when cleaning. Excessive moisture may damage the ceiling and walls. Be sure to thoroughly dry the ceiling and walls after cleaning. Avoid using abrasive pads and scouring powders, which may dull surfaces and increase exposure to future staining.

Remember to use a chopping block or cutting board when using knives on the countertop. Pots and pans straight from the burner or oven should be placed on lined hot pads and not directly on the counter surface.

FAUCETS AND FIXTURES

Use only a damp soft cloth or sponge to clean. Do not use abrasive cleaners or materials as they may damage the finish.

FABRIC AND UPHOLSTERY

Berth cushions are made of a fixed marine-grade vinyl. Clean them with a damp cloth and mild soap or other cleaning product. Be sure to dry thoroughly after cleaning. Folding couch cushions are made of nylon which may be machine washed cold and air dried.

NOTE: The following checklists will help make sure that you inspect and maintain your habitat regularly. This list is not meant to be exhaustive. You should inspect and maintain your habitat often and thoroughly.

MAINTENANCE CHECKLIST	
FRAME AND CHASSIS	
HITCH COUPLERS	
SAFETY CHAINS	
JACK	
TIRES AND WHEELS	
BRAKE ADJUSTMENT	
SEALANTS	
TENT SIDES	
CEILING, INTERIOR WALLS, COUNTERTOP	
FAUCETS AND FIXTURES	
FABRIC AND UPHOLSTERY	
DATE	
NOTES	

MAINTENANCE CHECKLIST	
FRAME AND CHASSIS	
HITCH COUPLERS	
SAFETY CHAINS	
JACK	
TIRES AND WHEELS	
BRAKE ADJUSTMENT	
SEALANTS	
TENT SIDES	
CEILING, INTERIOR WALLS, COUNTERTOP	
FAUCETS AND FIXTURES	
FABRIC AND UPHOLSTERY	
DATE	
NOTES	

MAINTENANCE CHECKLIST	
FRAME AND CHASSIS	
HITCH COUPLERS	
SAFETY CHAINS	
JACK	
TIRES AND WHEELS	
BRAKE ADJUSTMENT	
SEALANTS	
TENT SIDES	
CEILING, INTERIOR WALLS, COUNTERTOP	
FAUCETS AND FIXTURES	
FABRIC AND UPHOLSTERY	
DATE	
NOTES	

MAINTENANCE CHECKLIST	
FRAME AND CHASSIS	
HITCH COUPLERS	
SAFETY CHAINS	
JACK	
TIRES AND WHEELS	
BRAKE ADJUSTMENT	
SEALANTS	
TENT SIDES	
CEILING, INTERIOR WALLS, COUNTERTOP	
FAUCETS AND FIXTURES	
FABRIC AND UPHOLSTERY	
DATE	
NOTES	

MAINTENANCE CHECKLIST	
FRAME AND CHASSIS	
HITCH COUPLERS	
SAFETY CHAINS	
JACK	
TIRES AND WHEELS	
BRAKE ADJUSTMENT	
SEALANTS	
TENT SIDES	
CEILING, INTERIOR WALLS, COUNTERTOP	
FAUCETS AND FIXTURES	
FABRIC AND UPHOLSTERY	
DATE	
NOTES	

MAINTENANCE CHECKLIST	
FRAME AND CHASSIS	
HITCH COUPLERS	
SAFETY CHAINS	
JACK	
TIRES AND WHEELS	
BRAKE ADJUSTMENT	
SEALANTS	
TENT SIDES	
CEILING, INTERIOR WALLS, COUNTERTOP	
FAUCETS AND FIXTURES	
FABRIC AND UPHOLSTERY	
DATE	
NOTES	

Our habitats require a 2" diameter hitch ball. (Overland editions are outfitted with a Lock And Roll coupler).

Use of any other hitch ball diameter size will create an extremely dangerous condition that can result in separation of the coupler and ball, and/or hitch ball failure. Other than this crucial 2" diameter requirement, there are numerous habitat hitches and hitching components available to you for your habitat. Be sure to consult your tow vehicle manufacturer for hitch and/or hitch assembly alternatives.

Pre-hitch/coupling/trip considerations and inspection. Be sure your hitch and tow vehicle are rated for the Gross Vehicle Weight Rating (GVWR) of your habitat. Remember that the hitch load rating must be equal to or greater than the coupler load (the hitch is attached to the car, the coupler to the habitat). Be sure the hitch size matches the coupler size.

Examine all hitch components before hitching, looking for wear, corrosion, deformations, stripping, and cracks. Replace worn, corroded or cracked hitch components before coupling the habitat to the tow vehicle. Be sure the hitch components are tight and that the ball-locking device works freely before coupling the habitat to the tow vehicle. Remember to also inspect the safety chains. Be sure to correct any noted problems or defects before towing the habitat.

Important Note: be sure to raise all habitat jacks and close the habitat fully before driving off after hitching. One of the most common mistakes is to forget to raise a stabilizer jack and bending it.

Your habitat is equipped with a 7-pin connector, which synchronizes the lights of your tow vehicle and habitat. It can also connect their respective braking systems. Your habitat is equipped with electric brakes. Use of electric brakes are not required in every state, however, we strongly recommend that you use them.

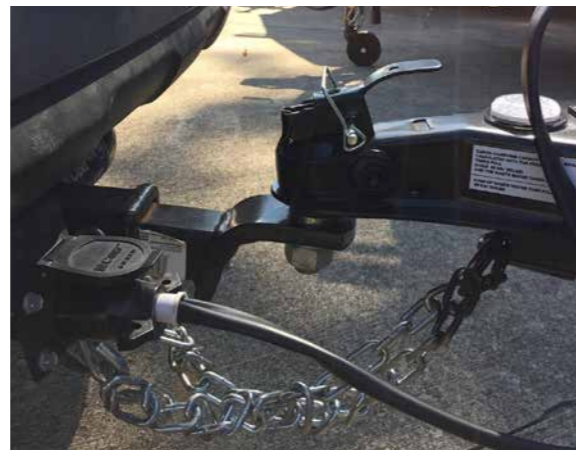
WARNING: THE PROPER SELECTION AND CONDITION OF THE COUPLER AND HITCH IS ESSENTIAL TO THE SAFE TOWING OF YOUR HABITAT. A LOSS OF COUPLING MAY RESULT IN DEATH OR SERIOUS INJURY.

WARNING: AN IMPROPERLY COUPLED HABITAT CAN RESULT IN DEATH OR SERIOUS INJURY.

WARNING: USE OF A TOW VEHICLE WITH A TOWING CAPACITY LESS THAN THE LOAD RATING OF THE HABITAT CAN RESULT IN LOSS OF CONTROL, AND MAY LEAD TO DEATH OR SERIOUS INJURY.

Hitching up your habitat will get easier with practice. The hitching steps described below are typical. However, we highly recommend that you also consult the hitching and unhitching instructions associated with your particular tow vehicle and hitching configuration.

Typical hitching steps for 2" ball:



Hitching steps for Lock and Roll (Overland):



1. Crank the tongue of the habitat jack until the hitch coupler is raised enough to clear the tow vehicle;
2. Back the tow vehicle to the habitat until the hitch ball or 'pin' is directly under the habitat coupler. The use of a backing aid mirror may be helpful, especially if you are hitching alone;

3. Set the parking brake of the tow vehicle;
4. Be sure the coupler latch-locking lever is fully open, then lower the tongue jack until the ball is firmly seated in the socket;
5. Close the coupler latch and secure it with a locking pin or bolt (you can use the pin that locks the caster wheel on to the front jack, the Lock and Roll comes with a proprietary pin); If you cannot get the latch to go down, try pulling the tow vehicle forward, reversing a tiny amount to create clearance, or release pressure (this occurs usually when the habitat or tow vehicle is on small slope or soft ground).

6. Securely attach the safety chains in a crossing pattern to the tow vehicle and confirm that they are properly connected to the habitat. Do not fasten chains to any part of the hitch unless the hitch has holes or loops designed specifically for that purpose, be sure the chains do not drag during towing;

WARNING: IMPROPER RIGGING OF THE SAFETY CHAINS CAN RESULT IN LOSS OF CONTROL OF THE HABITAT AND TOW VEHICLE, LEADING TO DEATH OR SERIOUS INJURY, IF THE HABITAT UNCOUPLES FROM THE TOW VEHICLE.

7. The electric brakes need to be controlled with a proportional brake controller. Some tow vehicles have these pre-integrated. There are wired and wireless versions available online, at towing centers, etc.

8. Connect the breakaway switch. Attach and secure the breakaway switch cable to the tow vehicle bumper or frame independently of the safety chains. The following are guidelines for attaching the cable:

- The cable should come straight out from the switch to attach to the tow vehicle
- The switch and cable should be located and secured on the same side of the habitat and tow vehicle
- Do not loop the cable over the hitch ball; the cable may bounce off while the vehicle is moving
- Before towing you may test the breakaway assembly by pulling the pin out of the switch to confirm activation of the habitat electric brakes. See also the diagram/depiction in the "Towing" section.

(Continued on next page)

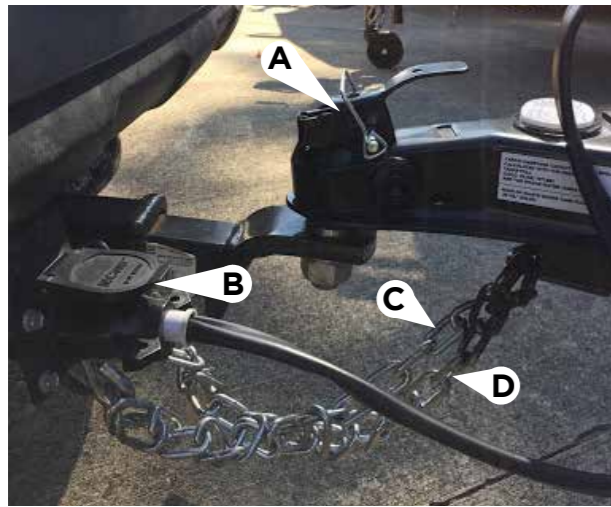
(Continued)

WARNING: DO NOT CONNECT THE BREAKAWAY SWITCH LANYARD TO THE HITCH BALL OR ANY PART OF THE HITCH ASSEMBLY.

NOTE: Your breakaway switch will automatically engage the electric habitat brakes if the safety chains fail during uncoupling.

- Connect the power cord between the tow vehicle and the habitat, leaving enough slack for the tow vehicle to turn without disconnecting the power cord;

Coupler Securely Latched and Pinned



- A. 2" ball coupler
- B. Habitat wiring plugged securely into tow vehicle, lights tested.
- C. Chains crossed and securely attached to frame of hitch.
- D. Breakaway switch cable attached to tow vehicle separate from chains

- Adjust side mirrors;
- Check all lights on habitat and tow vehicle, ensuring that they are working properly.
- Confirm the brakes are working properly prior to towing the habitat on a public road. You can, for example, check the operation of the habitat brakes by pulling forward and using the AUTOWBRAKE fob or hand control of any alternate brake controller.

Depending on your tow vehicle or intended usage of the habitat, you may want to consider the use of a weight distributing hitch and/or sway bars. These distribute the tongue weight of the habitat further away from the rear and can help in vehicle handling.

Example of Weight Distributing Hitch Assembly



WARNING: FOLLOW ALL INSTRUCTIONS PROVIDED BY YOUR TOW VEHICLE'S TOW PACKAGE MANUFACTURER AND/OR INSTALLER

WEIGHTS AND SPECIFICATIONS

Weights and measurements are crucial to understand and take into consideration, both for your safety and for your enjoyment as a habitat owner. Please study and learn the following weight ratings and reference them before loading or towing.

	Mantis	Mantis Overland	Cricket	Cricket Overland	TigerMoth	TigerMoth Overland	WoollyBear
GVWR	4,200	5,000	2,700	3,000	2,200	2,400	2,100
GAWR	4,000	5,200	3,500	3,500	2,000	2,200	2,000
UVW (Dry Weight)	2,972	3,486	1,753	1,978	1,310	1,458	1,270
CCC (Cargo Capacity)	1,028	1,614	900	1,022	990	942	830
Tongue Weight	435	510	245	264	127	195	140
Bunk Weight Rating	185	185	130	130	N/A	N/A	N/A
Exterior Length	19'	19'	15'	15'	12'10"	12'9"	10'8"
Exterior Height (open)	9'10"	10'1"	9'	9'4"	N/A	N/A	N/A
Exterior Height (closed)	6'9"	7'	6'11"	7'2"	6'8"	7'	4'9"
Ground Clearance	11"	14"	11"	14"	15"	18"	12"

NOTE: All measurements are in Pounds (Lbs) unless otherwise noted.

The process of safely and properly loading your habitat should become easier with practice and experience. Please first get familiar with and understand the following terms related to your habitat's weight, carrying capacity, and rating. Refer to our spec sheet for more information.

TERMS

Gross vehicle weight rating (GVWR) is the maximum permissible weight of the habitat when fully loaded and equipped/outfitted. It includes but is not limited to all weight at the habitat axle(s) and tongue or pin as well as all add-ons, appliances, accessories, potable water, etc. This number is recorded on the permanent label on the tongue of your habitat.

Dry weight or unloaded vehicle weight (UVW) is the weight of the habitat as manufactured at the factory (typical weight without loading, no options). It includes all weight at the habitat axle(s) and tongue or pin.

You will need to account for the weight of the dealer or third-party installed add-ons, options and accessories, if any, in determining your actual UVW. In sum, your actual UVW will vary (and increase) to the extent you have outfitted your habitat with additional items. Note: Your cargo carrying capacity (discussed below) will vary (and decrease) to the extent of the weight of dealer or third-party installed add-ons, options and accessories, if any.

Cargo carrying capacity (CCC) is equal to GVWR minus UVW and potable water weight.

However, remember that your actual CCC will vary (and decrease) to the extent you have outfitted your habitat with additional items. Please refer to the stickers located at the front exterior of your habitat for CCC.

Gross axle weight rating (GAWR) is the value specified as the load carrying capacity of a single axle system, as measured at the tire-ground interfaces. Please refer to the sticker located at the front exterior of your habitat for GAWR.

Gross trailer (habitat) weight (GTW) is the weight of the habitat with all the items and supplies that are loaded into the unit at any point in time and must be less than the allowed GVWR.

GENERAL WEIGHT CONSIDERATIONS

Before towing, you must choose the items you will

load onto your habitat and then determine whether the loaded weight is safe and proper.

Of course, the best way (highly recommended) to calculate the loaded weight of your habitat is to have it weighed while loaded, and then compare it with the GVWR. Otherwise, you will need to do some calculations on your own in order to make an appropriate determination. If the loaded weight of your habitat exceeds the GVWR, your habitat is overloaded and should not be towed. You will need to remove items from, and reduce the loaded weight of, the habitat until it's at or below the GVWR before towing. Note: remember to include in your calculations the weight of dealer or third-party installed equipment, options, add-ons, accessories and any other non-standard items. As an additional safety precaution, we recommend that you take a conservative approach when doing your own weight calculations.

WEIGHT/LOAD DISTRIBUTION AND TONGUE WEIGHT

Proper weight and load distribution is essential to safe towing. Load the habitat evenly (front to back and side to side) and securely, keeping heavier items as low as possible. Be sure to secure the load. A firmly secured load will be less prone to shifting and should help maintain load balance during travel.

The tongue is the habitat arm extension that couples with the tow vehicle receiver.

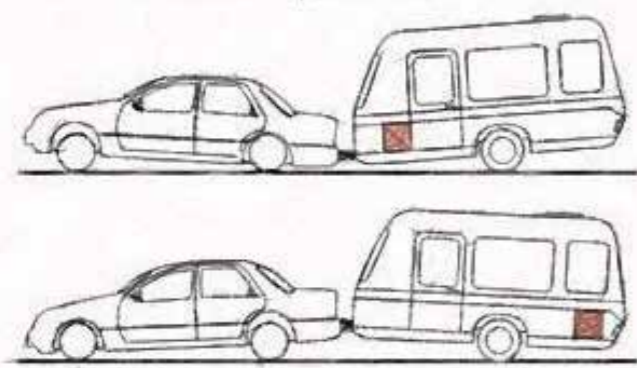
Tongue weight is the amount of weight borne by the habitat hitch and another important consideration when loading your habitat. Generally, the actual tongue weight should equal approximately 10-15% of the gross habitat weight. Excessive tongue weight will make your tow vehicle's steering and braking less responsive. Insufficient tongue weight may cause your habitat to sway.

You could weigh your loaded habitat's tongue to determine the actual tongue weight. However, you may also observe the actual tongue weight and determine if it is too light or too heavy. For example, a habitat with a proper tongue weight will form a straight line from front to back between the tow vehicle and the habitat. A habitat with the weight improperly distributed (i.e. a light tongue weight) will cause the coupling between the tow vehicle and habitat to rise, with the weight pressing down at the rear of the habitat and the front of the tow vehicle. Excessive tongue weight will do just the opposite.

If you notice a rise or fall in your tow coupling, you will need to redistribute the weight of the load before getting on the road. If you have trouble estimating the combined weight of your habitat plus cargo, take your loaded habitat to a vehicle scale at a nearby weigh station or truck stop.

Important Note: you need to also refer to your tow vehicle's towing capacity and other towing and load capacity-related definitions and instructions before getting on the road. Please also consult your supplying dealer or Taxa Inc. if you have any questions regarding these terms and/or loading your habitat.

Example of Poor Weight Distribution



TOWING

We want your towing experiences and practices to be safe and enjoyable. Please take your time, and give special attention to all safety matters prior to and during the towing of your habitat.

As previously indicated, we recommend that you practice towing your habitat in, for example, an empty parking lot before going on your first camping trip. This initial trial and practice is fun and will help you get accustomed to and familiar with your habitat's systems and operation. Please also make note of any questions, issues or problems that arise during your pre-travel towing practice, and inquire with your dealer or email us customerservice@taxaoutdoors.com. You can also visit our website (www.taxaoutdoors.com) for more contact information. Please also refer to the "Overview of Safety Precautions" and "Pre-Travel Checklist" sections before towing your habitat.

SAFETY CHAINS

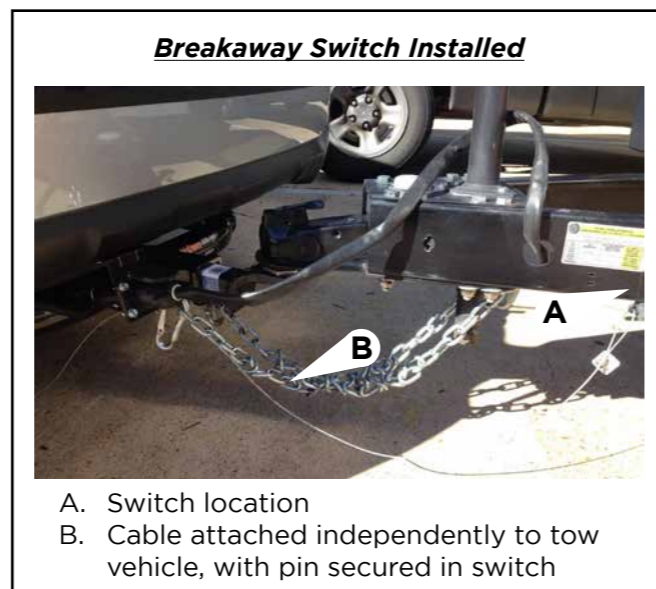
We have equipped your habitat with safety chains. Make use of them. Safety chains serve to maintain the connection between your habitat and the tow vehicle in the event of separation of the ball

and habitat coupling. Be sure to hook the safety chains to the frame of the tow vehicle (not the hitch), crossing them under the habitat's tongue. Also, remember to inspect the length of the chains once they are attached to the tow vehicle frame. A proper chain length will allow turns and prevent the chains from dragging on the road.

BREAKAWAY SWITCH

Your habitat is equipped with a breakaway switch. For every Mantis the breakaway switch is wired to the Mantis's internal battery. Breakaway switches are designed to activate the electric brakes in the event your habitat disconnects/uncouples from the tow vehicle. Your habitat battery powers this braking. Ideally, the safety chains will prevent your habitat from disconnecting if the coupler comes off the hitch ball. However, if the safety chains fail, the breakaway pulls the pin out of the switch which fires the brakes and serves as a last line of defense against a runaway habitat. The breakaway switch cable needs to be secured to the tow vehicle bumper or frame independently of the habitat safety chains. The following are guidelines for attaching the cable:

- The cable should come straight out from the switch to attach to the tow vehicle.
- The switch and cable should be located and secured on the same side of the habitat and tow vehicle.
- Do not loop the cable over the hitch ball; the cable may bounce off while the vehicle is moving.
- Before towing, you may test the breakaway by pulling the pin out of the switch to confirm activation of the habitat electric brakes.



TIRE PRESSURE

You are responsible for maintaining proper tire pressure in the tires of your habitat and tow vehicle. Thus, always check your tire pressure and refer to the "Tires" discussion herein before traveling.

BRAKES

You are responsible for inspecting and maintaining both your habitat and tow vehicle brakes before towing. Do not tow your habitat unless you have confirmed your brakes are in good condition and operating properly. Be sure to have a qualified technician perform all brake adjustments, service and maintenance. Please also refer to the "Brakes" discussion herein before traveling.

LIGHTS

Be sure to check all electrical connections to ensure all lights on the tow vehicle and habitat are functioning properly before traveling. The brake lights, hazard, and turn signals should be in synchronization with the tow vehicle.

LEVELING

The habitat and tow vehicle must be level when hitched. Risers and drops are available to match the tow vehicle's hitch height with the habitat's. Dragging may occur if the hitch is too low. Conversely, if the hitch is too high, the rear of the habitat is exposed to striking higher points in the road.

GENERAL TOWING/DRIVING

Drive defensively, anticipating stops, braking early, and never following closely. We recommend maintaining a length of at least three cars and a habitat (approximately 65 ft.) between you and the car in front of you for every 10 mph of speed you are traveling (for example, at 60mph, you should maintain approximately 390 ft. of distance between your vehicle and the vehicle in front of you). This should give you adequate time to safely complete a proper avoidance maneuver (i.e. come to a safe stop, change lanes, etc.) in the event of, for example, an abrupt stop or emergency.

Longer stopping distances are required when towing a habitat, so remember to start braking sooner than you would if driving without your habitat. Begin slowing down well in advance of anticipated street/road dips and depressions. It also takes longer to accelerate when towing

a habitat. Thus, remember to account for both the slower acceleration rate and the combined length of your tow vehicle and habitat when passing another vehicle and then safely returning to your lane. In sum, always pass, allow others to pass, and change lanes with care. We also do not recommend using cruise control or overdrive when towing/traveling.

SWAYING AND FISHTAILING

Excessive sway or fishtailing of your habitat can lead to the rollover of the habitat and tow vehicle, and thus, serious injury or death. The tendency for the vehicle to sway increases with speed. Thus, reduce speed as needed and in inclement or harsh weather conditions (i.e. high winds, rainstorms, slippery roads, etc.). The following paragraphs outline methods of reducing sway or fishtailing, but are not exhaustive.

GRADUAL BRAKING

Do not jam/slam on the brakes or press on the accelerator, both of which may make the situation worse and result in severe injury or death. Instead, remove your foot from the accelerator and reduce your speed gradually whenever possible.

MINIMIZE QUICK STEERING MOVEMENTS

Quick steering movements will actually cause increased sway and loss of control. Keep both hands on the wheel, and hold the wheel as straight as possible until stability is regained; and

As soon as practical after regaining control, pull over and check tire pressures, cargo weight distribution, and inspect the habitat and tow vehicle for any signs of failure or defect. If you suspect a mechanical failure, we recommend that you not tow until the problem is identified and remedied. If you choose to travel, do so at reduced speeds and with heightened caution until the problem can be identified and remedied.

WARNING: Side to side motion (sway) that begins as you reach a certain speed will likely become whipping at higher speeds. As soon as you notice sway, slow your vehicle by letting off the accelerator pedal. Then stop to check the habitat and tow vehicle as soon as it is safe to do so. Sway can sometimes be temporarily controlled by pressing the brake controller's brake button independent of touching the tow vehicle's brake. This tends to pull the habitat back in line and gives greater control as one determines the issue at hand.

Your habitat is equipped with electric brakes and a wireless proportional brake controller. Under normal driving/towing conditions, the habitat brakes will operate only in conjunction with a properly installed brake controller (which is also discussed below). Please also obtain and read the separate manual of the brake controller.

NOTE: in an emergency uncoupling of your tow vehicle and habitat, your habitat electric brakes will automatically engage even without a brake controller. This assumes, of course, that you have properly attached and secured the provided breakaway switch. See also “Hitching” and “Towing” sections herein.

BREAKING-IN BRAKES

We recommend that you break-in your habitat brakes in an empty, paved parking lot, not on a public road, when practicable. To break-in your brakes, apply the brakes at least twenty (20) times, decreasing your speed approximately 20 mph in each application. Allow a few minutes for the brakes to cool between each application so that the brake shoes and magnets “wear-in” to the drum surfaces.

BRAKE CONTROLLER

When a brake control or controller is properly installed, your habitat electric brakes will work in synchronization with your tow vehicle brakes. If you sense lock-up, “grabiness,” or your habitat “jerking” or “pushing” the tow vehicle when braking, your braking systems are not properly synchronized. You may need to have small adjustments made periodically because of, for example, changing loads and driving conditions. Brake Controllers are proportionally adjustable and small adjustments are easily made. Important Note: Your habitat does not include a brake controller from the factory. Refer to your brake controller manual for instructions on synchronization, use, maintenance, and adjustments.

WARNING: MINIMUM VEHICLE STOPPING DISTANCES ARE ACHIEVED WHEN WHEELS APPROACH LOCK UP. BRAKE LOCK UP SHOULD BE AVOIDED AS IT RESULTS IN POOR VEHICLE STABILITY AND CONTROL.

CONNECTOR

Your provided 7-pin cord connector located at the front of the habitat transfers electrical power from the tow vehicle battery to the habitat brakes, lighting system, and battery.

BRAKING TIPS

Do NOT use the habitat brakes only. They were designed to provide braking for your habitat, not the tow vehicle. Remember that the added weight of both the habitat itself and the cargo you are carrying can put additional load pressures on your tow vehicle brakes. It also may, under some conditions (i.e. slippery pavement, loose gravel, etc.), impact overall stability and control of your tow vehicle and habitat. Thus, be sure that you have all the information you need to make an informed decision regarding your brakes before getting on the road.

BRAKE ADJUSTMENTS

Generally, brakes should be adjusted after the first 200 miles, every 3,000 miles thereafter, and/or as use and performance requires. We recommend that you have a qualified technician perform all brake adjustments, service and maintenance.

OVERVIEW

Properly-maintained tires improve the steering, stopping, traction, and load-carrying capability of your vehicle. Under-inflated tires and overloaded vehicles are a major cause of tire failure. Maintaining proper tire pressure, tire and vehicle load limits, avoiding road hazards, and regularly inspecting tires for cuts, slashes, and other irregularities are important steps in avoiding tire failure, such as tread separation, blowout, or flat tires. These steps, along with other care and maintenance activities, may improve vehicle handling, help protect you and others from avoidable breakdowns and accidents, improve fuel economy, and increase the life of your tires. In sum, you are responsible for making tire safety a regular part of your tow vehicle and habitat maintenance routine. Remember that the time you spend is minimal compared with the inconvenience and safety consequences of tire failure.

FUNDAMENTALS

Federal law requires tire manufacturers to place standardized information on the sidewall of all tires. This information identifies and describes the fundamental characteristics of the tire and also provides a tire identification number for safety standard certification and recall matters.

Sidewall markings and important terms ... your habitat tires should be marked with either a designation of “ST” (i.e. ST235/75/ R15, or LT235/75/R15). The “ST” indicates Standard Habitat Service and is designed for habitat use only. The “LT” indicates Light Truck Service and is designed to be used on vehicles that are capable of carrying heavy cargo.

TERMS

Maximum Load Rating is the maximum load in kilograms and pounds that each tire can carry.

Maximum Permissible Inflation Pressure is the greatest amount of air pressure that should be put in the tire under normal driving conditions.

Maximum Load Single kg (lbs) at kPa (psi) cold Indicates the maximum load and tire pressure when the tire is used as a single.

LOAD RANGE

Identifies the tire’s load-carrying capabilities and its inflation limits.

TIRE TREAD

The tire tread provides the gripping action and traction that helps prevent your vehicle from slipping or sliding, especially when the road is wet or icy. Generally, tires are not safe and should be replaced when the tread is worn down to 1/16 of an inch. The following chart is a general guide for determining the condition of and maintenance action for your habitat tires:

REPLACEMENT

Please refer to the tire sidewall on your habitat’s standard tires for information regarding proper tire replacement. Be sure to replace your standard habitat tires with “ST” or “LT” designated tires. Note: replacing your habitat tires with non-ST designated tires will void the Limited Warranty. See Limited Warranty section herein. If you have any doubt about the correct size/type to choose, consult with a tire dealer. Please also refer to the manual provided by your specific tire manufacturer for care and use instructions.

REPAIR

The proper repair of a punctured tire requires a plug for the hole and a patch for the area inside the tire that surrounds the puncture hole. Punctures through the tread may be repaired if they are not too large, but punctures to the sidewall should NOT be repaired. Tires must be removed from the rim to be properly inspected before being plugged and patched.

WARNING: ALL TIRE REPAIRS SHOULD BE PERFORMED BY A QUALIFIED TECHNICIAN.

TIRE PRESSURE AND LOAD LIMITS

Tire inflation pressure is the level of air in the tire that provides it with load-carrying capacity and affects the overall performance of the vehicle. Because tires may naturally lose air over time, or when driven over objects such as potholes or curbs, it is important to check tire pressure monthly and before every trip. The tire inflation pressure number indicates the amount of air pressure- measured in pounds per square inch (psi)- a tire requires to be properly inflated. Vehicle manufacturers determine this number based on the vehicle’s design load limit, that is, the greatest amount of weight a vehicle can safely carry and the vehicle’s tire size. Excessive loads may lead to abnormal tire flex, tire overheating, and ultimately, tire failure.

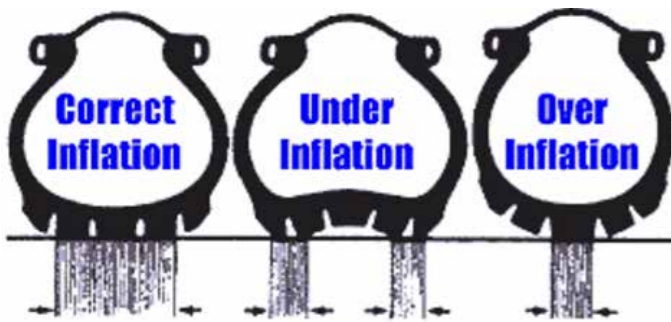
(Continued on next page)

Excessive loads may lead to abnormal tire flex, tire overheating, and ultimately, tire failure. As travel habitats may be set up and loaded in varying ways, proper air pressure should be determined by referencing the information on your tire. Please also refer to the Tire and Loading Information sticker located at the front exterior of your habitat.

The proper tire pressure for your vehicle is referred to as the “recommended cold inflation pressure.” Proper pressure depends on many conditions: terrain, temperatures, altitude, etc. A “cold” tire in this sense is one that has not been driven on for at least three hours. When you drive, your tires get warmer, causing the air pressure within them to increase. Therefore, to get an accurate tire pressure reading, you must measure tire pressure when the tires are cold or account for the extra pressure in warm tires.

WARNING: IMPROPER TIRE PRESSURE CAN QUICKLY LEAD TO EXCESSIVE WEAR AND DANGEROUS SITUATIONS.

Diagnosing Tire Inflation Level



TIRE PRESSURE STEPS

1. Locate the recommended tire pressure on the vehicle's tire.
2. Record the tire pressure of all tires.
3. If the tire pressure is too high in any of the tires, slowly release air by gently pressing on the tire valve stem with the edge of your tire gauge until you get to the correct pressure.
4. If the tire pressure is too low, note the difference between the measured tire pressure and the correct tire pressure. These “missing” pounds of pressure are what you will need to add.
5. At a service station, add the missing pounds of air pressure to each tire that is under-inflated.
6. Check all the tires to make sure they have the same air pressure (except in cases in which the front and rear tires

are supposed to have different amounts of pressure).

IMPORTANT REMINDERS

- Do not exceed the maximum recommended pressure.
- The air pressure recommended on the tire information placard is for the original standard equipment tires only. Your habitat may be equipped with optional-sized tires. Always follow the pressure recommendations stamped in the tire sidewall for any replacement tire.
- Rotate tires every 5,000 miles or as recommended by the tire manufacturer

TIRE SAFETY CHECKLIST

1. Check tire pressure regularly (at least once a month and before any extended trip/traveling), including the spare tires, if any... Note: When checking air pressure, be sure that all tires have both the correct and identical pressure before getting on the road;
2. Check and torque wheel lug nuts regularly;
3. Inspect tires for cuts, slashes, punctures and other irregularities at least on a monthly basis and before every extended trip/traveling;
4. Remove any foreign objects (i.e. pieces of glass or metal, etc.) wedged in the tread;
5. Confirm all tire valves have valve caps;
6. Do not overload your tow vehicle or habitat;
7. Slow down when having to go over a pothole or other object in the road, and avoid running over curbs and other foreign objects in the road and when parking if you can safely do so;
8. Replace tires when tread depth approaches and/or reaches 1/16 of an inch;
9. Have a qualified technician perform tire service, maintenance and adjustments as needed.

WHEEL NUT TORQUE

Proper wheel nut torque is essential to safe towing. The wheel and axle systems used in habitats are similar in many ways to those found in motor vehicles. However, they differ in several important ways. First, habitat wheels do not steer, and are subjected to high side load stress when making tight turns around corners. This tends to flex the wheel and may loosen the wheel nuts. Wheel nut torque requirements vary depending on the size and manufacturer of the wheel.

WHEEL NUT TORQUE ADJUSTMENT

Setting torque value on a dial indicator wrench:

1. Make sure your indicator needle is set to “0”.
2. As you apply clockwise pressure to the wheel nut, both needles will show the current amount of torque being applied.
3. When you reach your desired torque value, stop applying pressure and your indicator needle will stay at the highest torque value reached.

Setting torque value of adjustable dial wrench:

1. Unlock the handle and set the dial to your desired torque value.
2. Lock the handle back in place.
3. As you apply clockwise pressure to the lug nut, you will hear an audible “click” when the desired torque wrench value is reached.
4. Do not apply further pressure once you hear the “click”.

PRE-TRIP TORQUING PROCEDURE

Be sure to tighten the wheel nuts and torque to 90 ft/lbs. Follow the torque sequence and torque table provided next:

Wheel Nut Torquing Table

1st Stage	20-25 ft./lb.
2nd Stage	55-60 ft./lb.
3rd Stage	85-90 ft./lb.

Stage 1: Set your torque wrench to the 1st stage value on the Wheel Nut Torque Table. Begin with the appropriate bolt for your wheel (12 o'clock position for 8 and 6 hole wheels and 2 o'clock position for 5 hole wheels) and apply torque to all wheel nuts following the star pattern as shown in the Wheel Nut Torquing Sequence illustration shown here.

Stage 2: Increase your torque wrench setting to the 2nd Stage value on the Wheel Nut Torque Table. Begin with the appropriate bolt for your wheel and apply torque to all wheel nuts following the star pattern. Following stage 2, the wheel can support the weight of the habitat and may be lowered off of the jack stands.

Stage 3: Increase your torque wrench setting to Final Torque value on the Wheel Nut Torque Table. Begin with the appropriate bolt for your wheel and apply torque to all wheel nuts following the star pattern.

Follow-up: If the wheel was replaced, check the torque again at every 50 miles for the first 500 miles and prior to each trip thereafter.

If you notice a wheel wobbling or hear a rattling sound coming from a wheel, especially at low speeds, a wheel lug may have come loose. This problem is usually caused by improper tightening or by faulty or damaged lug bolt threads. If you have reason to believe a lug nut has come loose, safely stop the vehicle at the side of the road as soon as possible. Put up warning devices. Remove the lug caps and check the tightness of all the lug nuts. If lug bolt threads are damaged or faulty, get professional services help.

WARNING: DO NOT TOW THE HABITAT WITH MISSING LUG NUTS OR FAULTY LUG BOLTS.

BALANCING, ALIGNMENT AND LUBRICATION

To avoid vibration or shaking of the vehicle when a tire rotates, the tire must be properly balanced. This balance is achieved by positioning weights on the wheel to counterbalance heavy spots on the wheel-and-tire assembly. A wheel alignment adjusts the angles of the wheels so that they are positioned correctly relative to the vehicle's frame. This adjustment maximizes the life of your tires. These adjustments require special equipment and should be performed by a qualified technician.

Wheel bearings should be repacked every 6000 miles or every 6 months. Every time the wheel hub is removed, the wheel bearings must be adjusted. Please refer to manufacturer instructions or schedule maintenance with a qualified technician to repack wheel bearings.



SITE SELECTION

With time and experience, you will get better at spotting and identifying good camping sites. Although they will vary to some degree, all good sites will be close to level and have a firm, not soft, ground that will support the weight of jacks and/or other support devices. There are also many public camping sites that provide electrical and other useful hook-ups or services.

Once you have chosen your site, refer to the following important sections which will prepare your habitat for your adventure.

LEVELING AND STABILIZING

The following steps should be followed in order to ensure that your habitat is level and stable. These steps should be completed in entirety before proceeding with any setup steps.

1. Before uncoupling, level the unit from side to side if desired with wood or plastic leveling blocks. Place the blocks on the ground forward of the wheels and tow the unit onto the blocks
2. Lower the jack onto blocks or pad, if necessary
3. Use a smartphone level to ensure habitat is level
4. Once the unit is level, use wheel chocks or blocks to prevent the habitat from moving
5. Uncouple the habitat from the tow vehicle, unplug 7 pin connector from vehicle
6. Lower the stabilizing jacks until they firmly engage. Be sure all jacks have about the same pressure on them

NOTE: Before resuming travel, be sure that the stabilizer jacks are fully retracted/raised and that the habitat has been fully closed.

WARNING: DO NOT ATTEMPT TO USE JACK STANDS OR STABILIZER JACKS TO JACK UP THE HABITAT OR SUPPORT THE FULL WEIGHT OF THE HABITAT. DO NOT ATTEMPT TO LEVEL, RAISE, OR OTHERWISE PLACE ALL OF THE WEIGHT OF THE HABITAT ON THE STABILIZER JACKS. STABILIZER JACKS ARE NOT DESIGNED TO BEAR WEIGHT.

WARNING: DO NOT ATTEMPT TO USE THIS JACK TO LIFT EXCESSIVE WEIGHT OR TIRES OFF OF THE GROUND. VEHICLE FRAME AND DOOR JAMB DAMAGE MAY OCCUR. USE ONLY STOCK

HANDLE SUPPLIED. DO NOT USE A CHEATER BAR ON HANDLE. DO NOT USE THIS JACK AS A TIRE CHANGING JACK.

HABITAT SETUP

1. Ensure that the habitat is level.
2. Open roof (see below for more information)
3. Connect to shore power, if available
4. Connect to site water supply, if available
5. Set up the remaining features and/or options as needed

For instructions on setting up your roof, please see the manuals that correspond with your specific habitat.

VENTILATION

Good ventilation and indoor air quality is essential to long-term enjoyment of your habitat. Inadequate ventilation can increase indoor pollutant levels. To maintain good air quality, be attentive to proper ventilation of your habitat, keep it clean, and prevent and avoid unnecessary air pollutants. Common indoor air pollution sources include molds, pollen, pet fur dander, secondhand smoke, carbon monoxide from burning propane and other fuels, and household cleaners.

Travel habitats are much smaller than homes. Thus, the exchange of air inside a travel habitat is significantly less than a home. Proper ventilation is an ongoing process, occurring before, during, and after use, and at times when the temperatures and humidity are elevated. Decreasing the flow of air by sealing the travel habitat may increase the presence and/or concentration of indoor air pollutants, such as but not limited to, molds and household chemicals. Improve ventilation by opening windows, using fans and opening vents, running the air conditioner, or some combination thereof. We also recommend that you do not smoke or use any type of bug or other chemical spray inside your habitat.

WARNING: YOUR HABITAT WAS DESIGNED FOR RECREATIONAL USE AND SHORT-TERM OCCUPANCY ONLY. LONG-TERM OCCUPANCY CAN CREATE CONDITIONS, WHICH IF NOT MANAGED PROPERLY, CAN BE HAZARDOUS TO YOUR HEALTH AND CAUSE SIGNIFICANT DAMAGE TO YOUR HABITAT.



The following are three (3) basic strategies recommended by the Environmental Protection Agency (EPA) to improve indoor air quality:

1. **Remove Sources** Eliminate sources of pollution and/or reduce their emissions. Pollutants that this strategy can have an impact upon are: (i) Biological Contaminants such as bacteria, molds, mildew, viruses, animal dander, and pollen, (ii) Household Products such as paints, varnishes, cleaning and disinfecting solutions, cosmetics and hobby products, and (iii) Pesticides.
2. **Ventilation** Increase the amount of outdoor air coming indoors. Typically, habitat air conditioners, for example, do not mechanically bring fresh air into the unit. Simultaneously opening doors and windows to allow fresh air in along with turning on fans to take inside air out is an effective way to improve ventilation. Remember, if there is insufficient outdoor air entering a habitat, pollutants may accumulate to higher levels.
3. **Air Cleaners** Air cleaners are designed to remove particles from the air. There are many types and sizes of air cleaners available to you on the market. Note: Air cleaners are not generally designed to remove gaseous pollutants. The effectiveness of an air cleaner depends on how well it collects pollutants from indoor air and how much air it draws through the cleaning or filtering element. For more information about ventilation, indoor air quality and its effects, please refer to www.epa.gov/iaq.

MOISTURE/CONDENSATION

The relatively small volume and compact construction of travel habitats means that the normal activities of even a few persons can lead to rapid, visible moisture saturation in the habitat, especially in cold weather. Note: some estimates indicate that a family of four can vaporize up to three gallons of water through daily breathing, cooking, bathing and washing. Just as the moisture collects on the outside of a glass of cold water during humid weather, moisture will condense on the inside surfaces of the habitat during cold weather when the relative humidity of the inside air is high. Unless water vapor is carried outside, it will condense on the inside of the windows and walls. Thus, when you observe signs of excessive moisture and condensation in the habitat, take

action to minimize the effects. Such action steps in non-extreme hot or cold weather conditions may include, but not be limited to, the following: Allow excess moisture to escape by ventilating with outside air. Open windows to provide circulation of outside, drier air to the inside. While this ventilation may increase the heating load during cold weather, it will greatly reduce water condensation.

Minimize moisture released inside the habitat such as steam from excessive boiling water or other use of hot water. Remove water or snow from shoes before entering the habitat. Avoid drying wet or damp clothing, towels, gear and other items inside the habitat.

Manage the inside temperature during cold weather. Remember that the higher the temperature inside (in cold weather) will cause condensation to form on areas that are not insulated as well as others (windows, vents, wall studs, etc.); try to avoid drastic, quick temperature reductions, which can increase moisture condensation inside.

Properly maintain and secure the exterior of the habitat. This will help keep a tight barrier against water intrusion.

NOTE: Using your habitat in severe climates or weather conditions such as extreme hot, humid or cold weather, which is NOT recommended (see "severe weather use" section), will require extra care, attention and maintenance of moisture-related issues and relative humidity conditions inside the habitat.

Your habitat's electrical system is primarily a 12 Volt Direct Current (DC) system and has 120V AC outlets that operate only when attached to shore power.

12V DC OVERVIEW

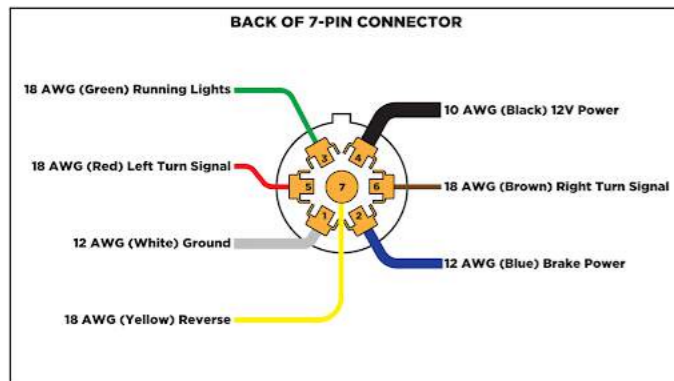
Your habitat 12 Volt system is powered by a 12V battery or batteries (see "Battery" section). All installed appliances, aside from air conditioning, operate fully with 12V power. Fuses for 12V circuits are located either below the switch itself or behind the plastic panel of the Auto-Detect WFCO Power Center at the bottom of your kitchen cabinet.

7-PIN CONNECTOR

Use your 7-pin connector plug to connect your tow vehicle and habitat electrical systems. This cord is located at the front of your habitat and plugs into a receptacle provided in your tow vehicle's hitch package. In addition to charging your habitat battery while driving, this connection powers your habitat lights and electric brakes.

WARNING: BE SURE TO PLUG THE 7 PIN CONNECTOR WITH THE PROPER HOLES AT TOP AND BOTTOM. FAILURE TO DO SO MAY DAMAGE YOUR HABITAT WIRING AND ELECTRIC BRAKE SYSTEM.

7-Pin Connector Detail



NOTE: We recommend disconnecting the 7 pin connector from the tow vehicle when camping!

When hitching and unhitching, be sure to move the 7-pin connector cord so it does not get damaged by, for example, the hitch and/or pin box. Do not allow the cord to drag on the ground and store in the provided receptacle when not in use. Keep the connector clean and dry, and follow manufacturer instructions for cleaning if necessary. See *HITCHING* section for further discussion regarding your 7-pin connector.

120V CIRCUIT BREAKERS

120V circuit breakers are located inside your WFCO Power Center, which is located behind a plastic panel of your kitchen cabinet. They control the circuit between the 120v inlet and the 12v power provided in the habitat. If your circuits trip because of overload, reduce the load and reset the breaker.

Note: You must refer to the manuals and other instructions of any and all aftermarket appliances, add-ons and/or accessories regarding their respective electrical requirements.

WARNING: NEVER REPLACE INSTALLED CIRCUIT BREAKERS OR FUSES WITH CIRCUIT BREAKERS OR FUSES OF HIGHER AMPERAGE RATING THAN THOSE ORIGINALLY INSTALLED. THIS COULD OVERHEAT THE WIRING AND START A FIRE.

BATTERY

New for 2022, Lithium chemistry batteries are fully supported from the factory thanks to the addition of an Auto-Detect WFCO Box. The battery and charging system are the heart of the 12-volt DC system. Thus, it is important that you keep the battery fully charged and monitor its charge state. Low battery charge and/or bad batteries are common causes of poor appliance and other component part performance. Fuses and circuit breakers can fail even without a short circuit under low voltage.

WARNING: BATTERIES CONTAIN SULFURIC ACID, WHICH IS HIGHLY CORROSIVE, FLAMMABLE AND EXTREMELY DANGEROUS. THUS, WE STRONGLY RECOMMEND THAT YOU HAVE ALL BATTERY MAINTENANCE, SERVICING AND INSTALLATION PERFORMED BY A QUALIFIED TECHNICIAN.

The converter/charger system in your habitat will help you manage your electrical requirements and charging needs. The converter/charger monitors and charges your batteries as needed when connected to a power supply. Please refer to the manufacturer's information regarding the converter/charger for more information. Visit our website's Manual page here - <https://taxaoutdoors.com/manuals/#appliances-accessories> Please also refer to the "Electrical System" chapter.

WFCO Auto-Detect Power Center



12v Monitor (in kitchen cabinet)



Your habitat will generally be in one (1) of the following three (4) power states when in use:

- 1. Dry camping (not connected to shore power)** You will be using battery power only to operate lights, fans and other DC components, and thus, discharging the batteries. Exercise constant vigilance in keeping your battery charged when dry camping. Make every reasonable effort to conserve your battery power (i.e. turn off lights when not being used)
- 2. Being towed** If your tow vehicle has been wired properly, your habitat's battery will charge while being towed (the rate of charge varies depending on the tow vehicle)
- 3. Connected to shore power** When you are connected to shore power (an external 120V power source), all batteries will charge automatically and will be regulated by your converter/

charger so they don't overcharge. This is the fastest method of recharging your habitat. Connect to shore power through the marked 30 Amp electrical inlet located on the rear driver's side of your habitat. Please note that we provide a 30 Amp inlet because it is RV campground standard - not because anything in our habitat requires that. We supply a 30 Amp 'pigtail' that converts from 30A to 15A (normal household) so that you can easily and safely plug your habitat into any grounded outlet. Note: when parking the habitat for more than a few days, detach from tow vehicle, turn off appliances and lights, and plug in to shore power if available to ensure the battery is charged in advance of next use.

NOTE: Your batteries will NOT charge if you have turned the battery cutoff switch to OFF!

- 4. Connected to solar panels** Your habitats are prewired to accept solar panels (via the inlet at the rear driver's side of the habitat, or on the driver's side exterior). The rate of charge will vary based on the panels and solar exposure. The charge controller included between your panels and the batteries of your habitat prevent overcharging and other damaging. If a solar panel you buy has a different connector than what we provide, there are inexpensive adapters readily available. If your panel is plugged in and no charge is coming through (you can verify by eyeballing your voltmeter) it is most likely that your panel's manufacturer has wired their plug the opposite of what we did. There seems to be no industry standard. This is an easy fix - open up the inlet and switch the two wires. Depending on how many watts of panel you attach, you will either be extending your battery usage for a given trip or will eliminate the need for external battery charging all together. Please remember that the AC runs only on 110v.

BATTERY INSTALLATION

Proper battery installation is critical. Thus, please see a qualified technician for the installation and/or replacement of your habitat batteries.

BATTERY INSPECTION AND MONITORING

We recommend that you inspect and monitor the charge of the battery at least once a month and prior to any trip. During your inspection, look for cracks in the cover and case, and check vent plugs. Have a qualified technician replace any cracked or broken plugs or other such items, confirm that the hold-down hardware is tightly secured, that the battery box, tray or compartment is clean and free of corrosion, and that the vent caps and terminals are secure and tight.

NOTE: Do not store anything in the habitat battery compartment, box or tray other than the battery and its various components.

Mantis Battery Location



Cricket Battery Location



TigerMoth Battery Location



CHARGE CONTROLLER

New for 2022, Taxa includes a charge controller pre-wired into your habitat. This charge controller goes between the solar power SAE inlet and the battery. The function of this charge controller is to prevent over-charging of your battery, and it is suggested to always use a charge controller while using solar.

The charge controller included with our habitats is a top-of-the-line Victron SmartSolar, which includes bluetooth monitoring capability. To use the full features of this product, download the appropriate app directly from Victron.

NOTE: Having multiple charge controllers in-line between your solar panels and battery may cause them to function improperly. Please ensure that you are using only the charge controller that's included with your habitat or you may have adverse effects.

For complete instructions from the manufacturer of your charge controller, please view the manufacturer's product manuals, available at: <https://taxaoutdoors.com/manuals/#appliances-accessories>

CHARGING

Keep the batteries fully charged but be sure not to overcharge the battery. If the habitat is charging via a power cord, shore power, your power distribution center will prevent overcharging. To check or monitor the battery charge, insert the readout accessory into any 12V outlet on the Mantis.

Here are three ways to charge your battery:

1. Plug into any 120V outlet via the inlet located on the rear driver's side of your Mantis.
2. Plug the habitat's 7-pin connector into an appropriately wired tow vehicle while the vehicle's engine is running.
3. Plug compatible solar panels into the inlet located on the rear driver's side of your Mantis. Ensure a charge controller is inline between panel and batteries.

NOTE: When camping, detach 7-Pin connector from tow vehicle. Otherwise it is possible that the habitat may drain the tow vehicle's battery.

STORAGE

When habitat is in storage, maintain the battery by plugging a 120V power source into the habitat's electrical inlet. The charge controller will maintain a proper charge without overcharging.

Alternatively, use the battery cut-off switch located on the front face of the kitchen cabinetry to disconnect battery. (When the battery disconnect is in OFF position it is still possible to charge the battery from the tow vehicle or solar panel).

DEAD BATTERIES

If your battery is dead, plug into shore power if available. Reduce the loads on the battery by turning off any lights, 12-volt DC powered equipment and all non-essential items to allow rapid recharge. You may also connect the 7-way connector to your tow vehicle and run the engine at high idle to increase charging current and possibly reduce charging time. If your tow vehicle battery is dead or discharged, an external jumper battery or battery charger must be used to either start your tow vehicle engine, or generator, if any.

APPLIANCES

The following appliances are optional. If you choose to equip your habitat with any options, please be sure to read and follow the separate manuals and instructions regarding safety, risks, use, maintenance, care and service associated with each option, add-on, appliance and/or equipment.

AIR CONDITIONER

The air conditioner unit (AC), if any, will plug into an appropriately rated power outlet, and is not compatible with your habitat's battery system. Remember that your air conditioner's performance depends largely on the heat levels/stresses on your habitat. Habitat heat stresses may be reduced as follows:

- Park in a shaded area
- Keep blinds down and closed
- Keep windows and doors closed, allowing the habitat to cool efficiently
- If you have an awning, use it to protect habitat from direct sunlight
- Try to avoid using heat-producing items inside habitat
- Turn on the AC unit early in the morning
- Maintain AC unit as instructed by manufacturer

REFRIGERATOR

The refrigerator, if any, operates on the habitat's 12V battery system. Please refer to the applicable separate manufacturer instructions for care and operation.

WATER/PROPANE HEATER

All Mantis and Cricket units are equipped with a Truma propane combination air and water heater. Please refer to the applicable separate manufacturer instructions for care and operation.

FIRE EXTINGUISHER

Your habitat includes a fire extinguisher, which is located near the kitchen. Test and operate according to manufacturer instructions.

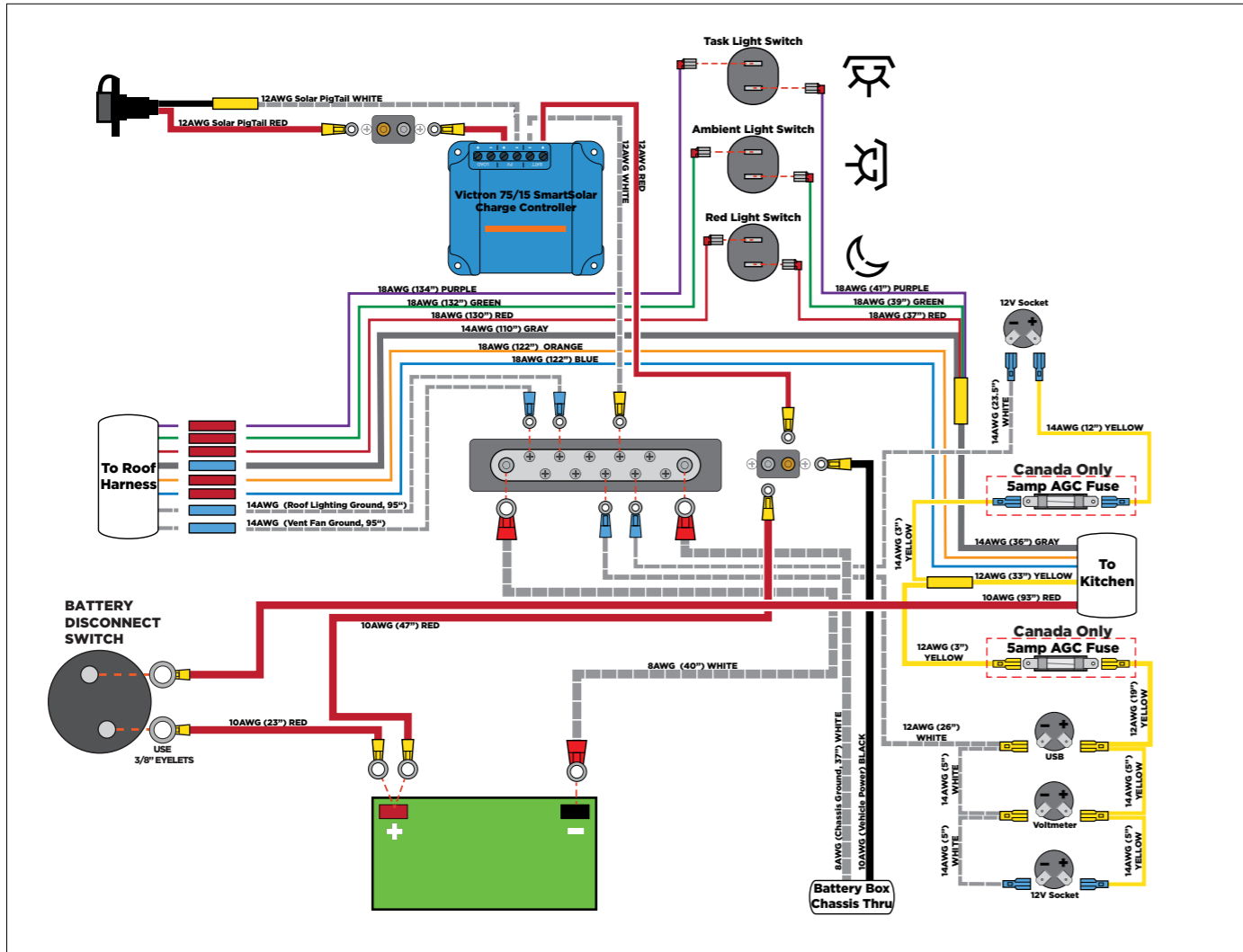
SMOKE DETECTOR and CARBON MONOXIDE DETECTOR

Your habitat includes a battery powered smoke detector and a separate carbon monoxide detector, which should be tested prior to and during each camping trip.

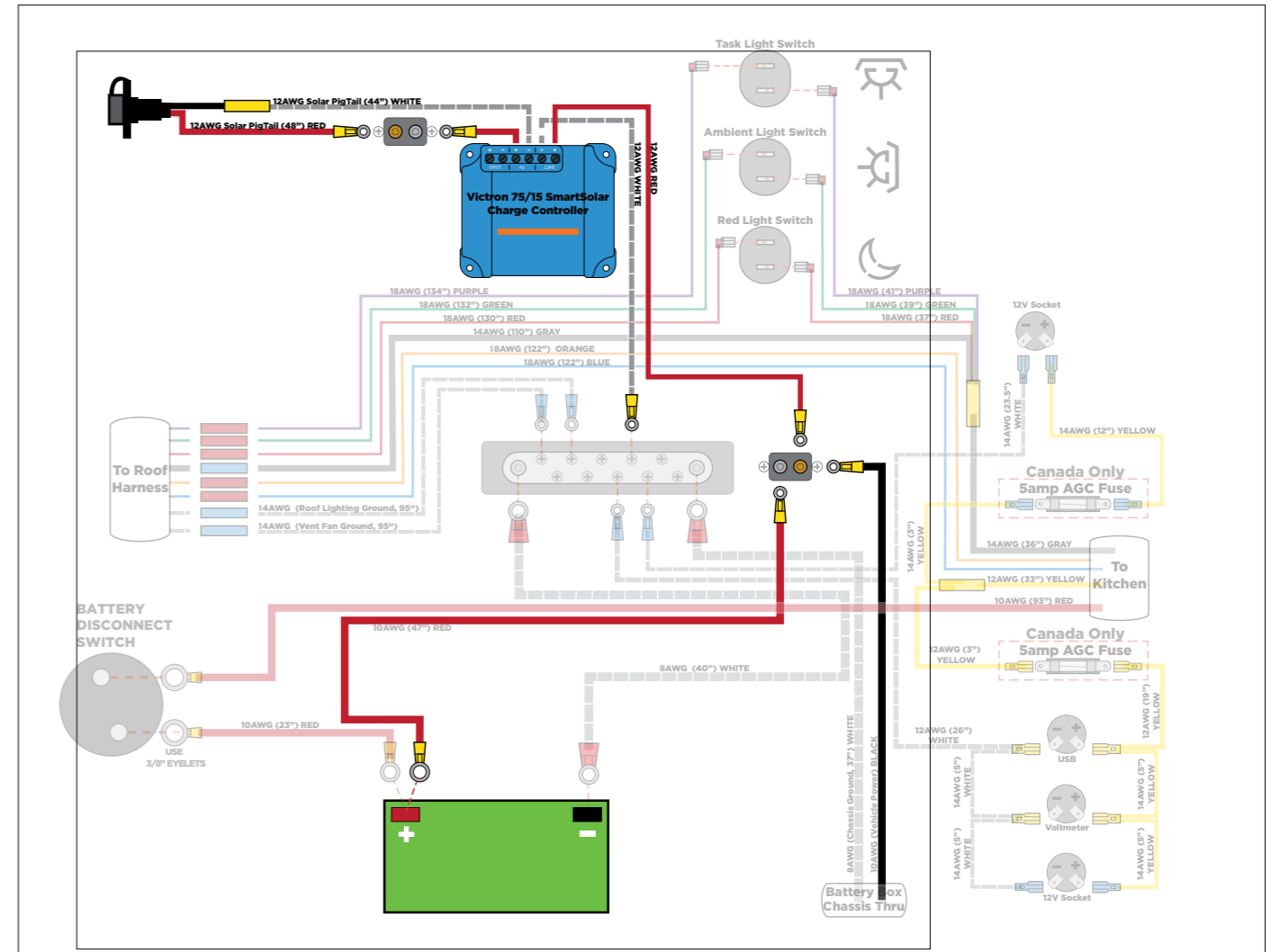
NOTE: Test, inspect, and maintain all appliances in the manor prescribed by the respective manufacturer's instructions.

For complete instructions from the manufacturer of your appliances, please view the manufacturer's product manuals, available at: <https://taxaoutdoors.com/manuals/#appliances-accessories>

2022 Mantis Kitchen Core Wiring Diagram

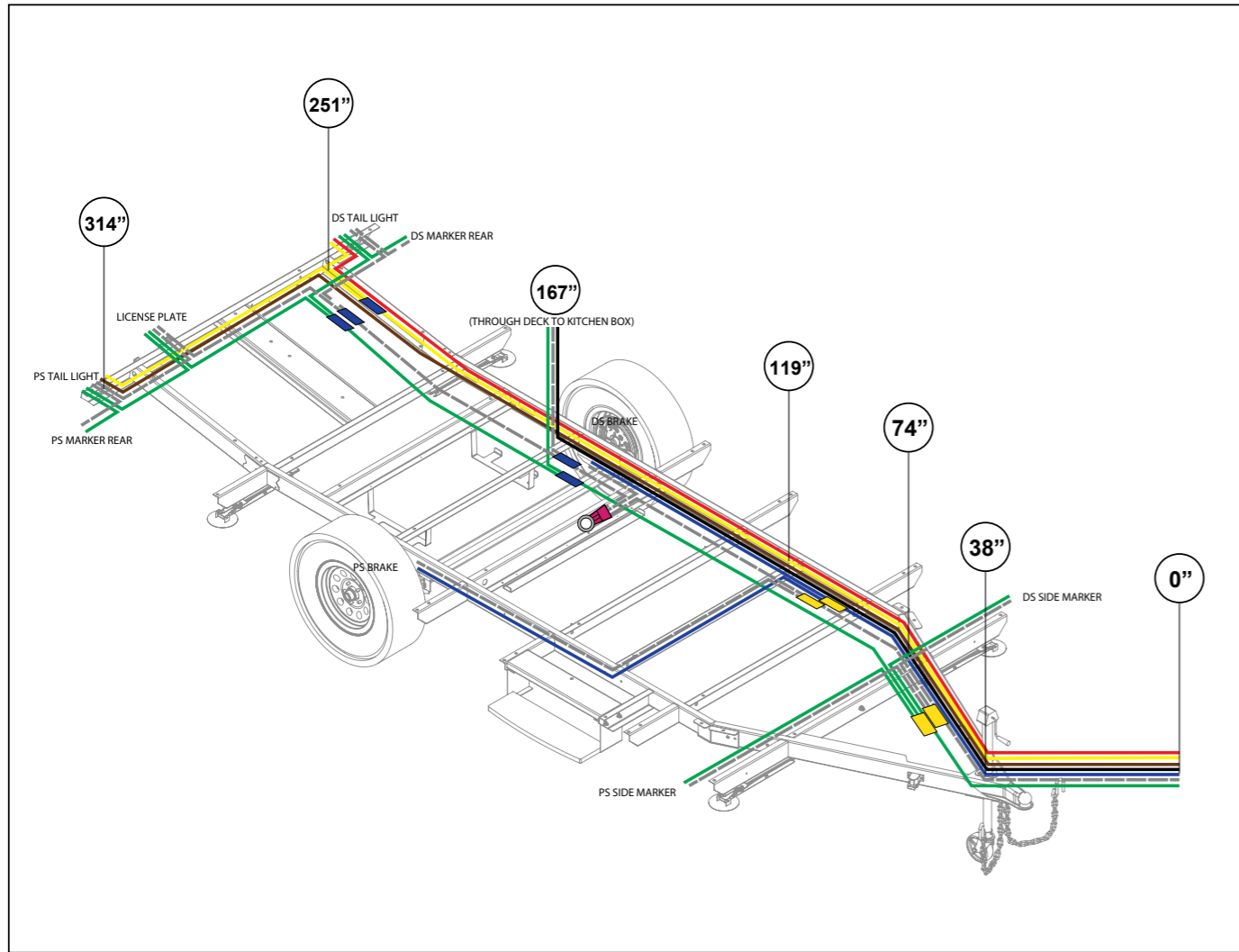


For complete instructions from the manufacturer of your charge controller, please view the manufacturer's product manual, available at: <https://taxaoutdoors.com/manuals/#appliances-accessories>

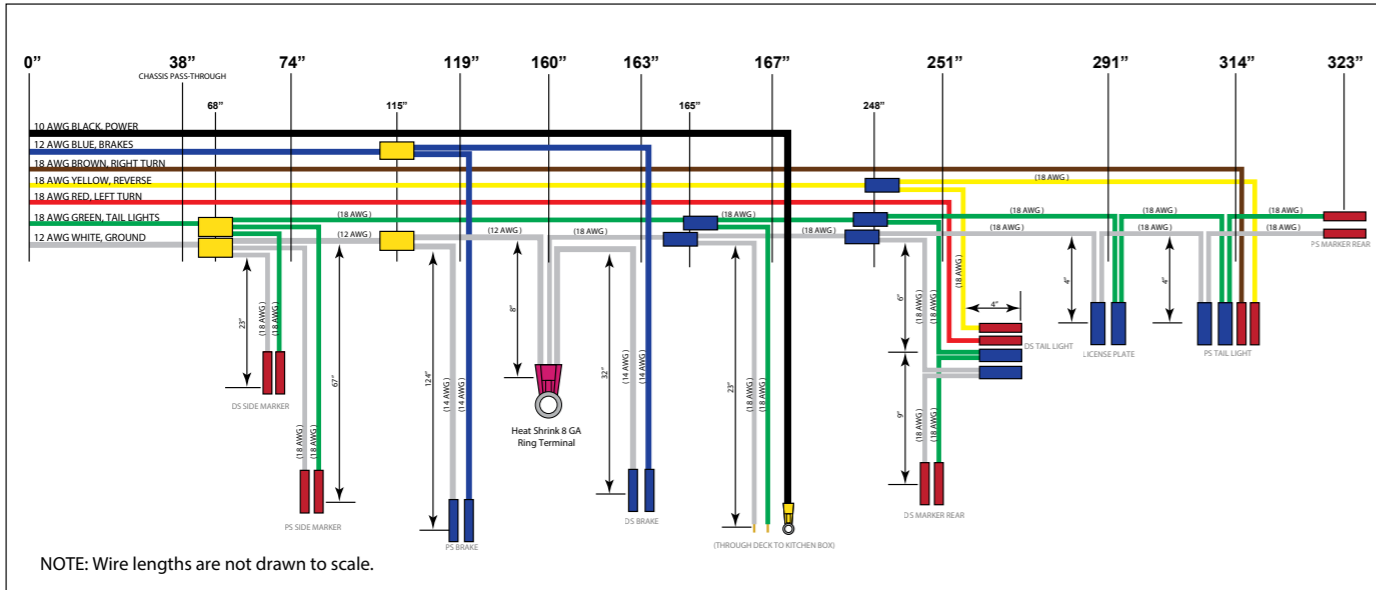


For complete instructions from the manufacturer of your charge controller, please view the manufacturer's product manual, available at: <https://taxaoutdoors.com/manuals/#appliances-accessories>

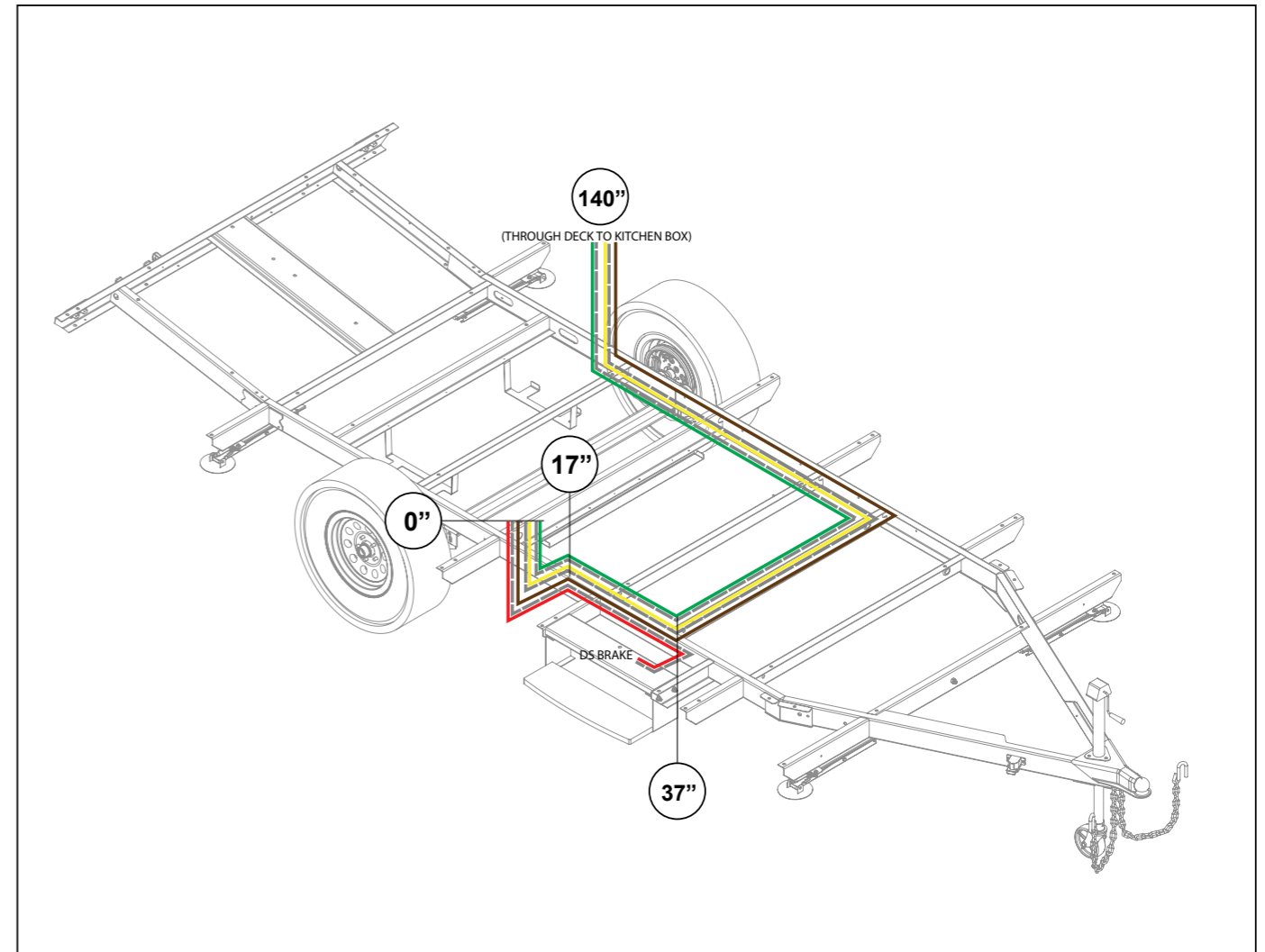
2022 Mantis Chassis Harness Routing



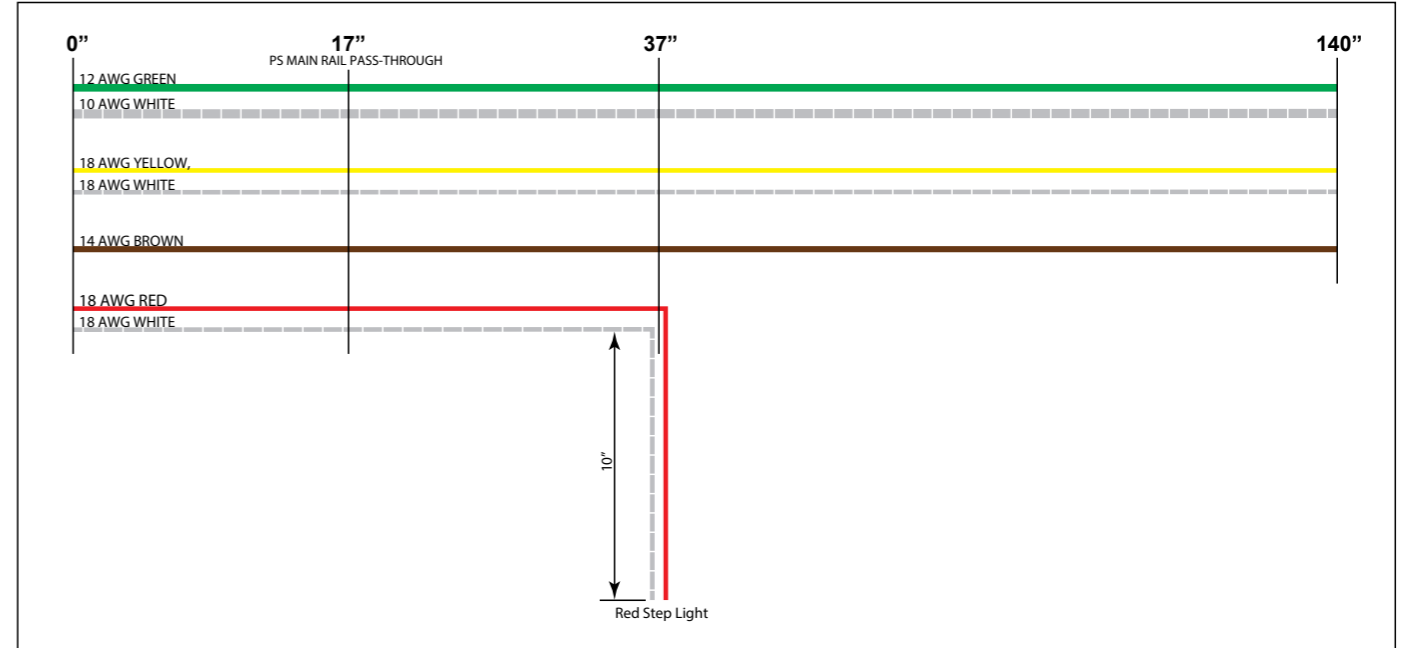
2022 Mantis Chassis Harness Diagram



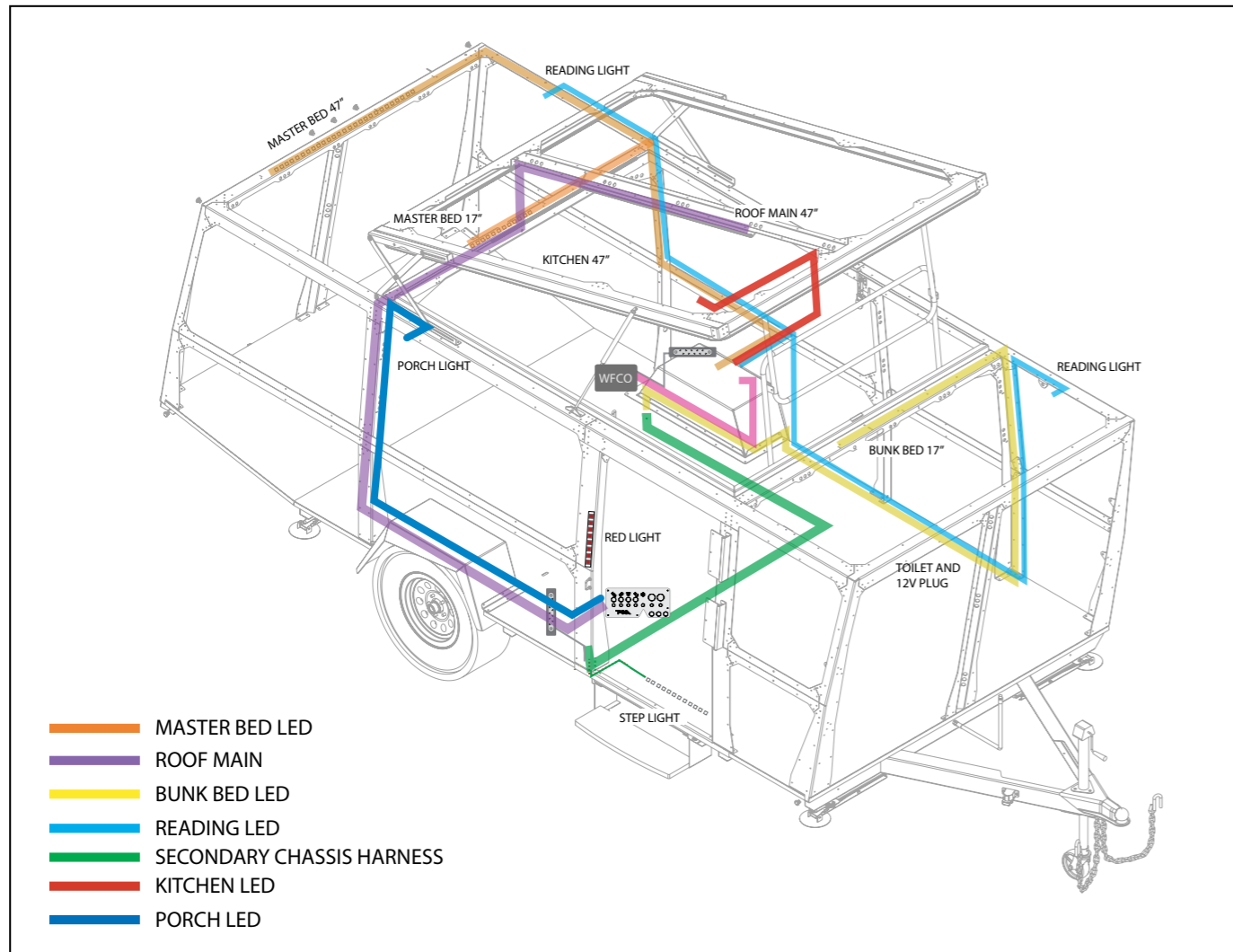
2022 Mantis Secondary Chassis Harness Routing



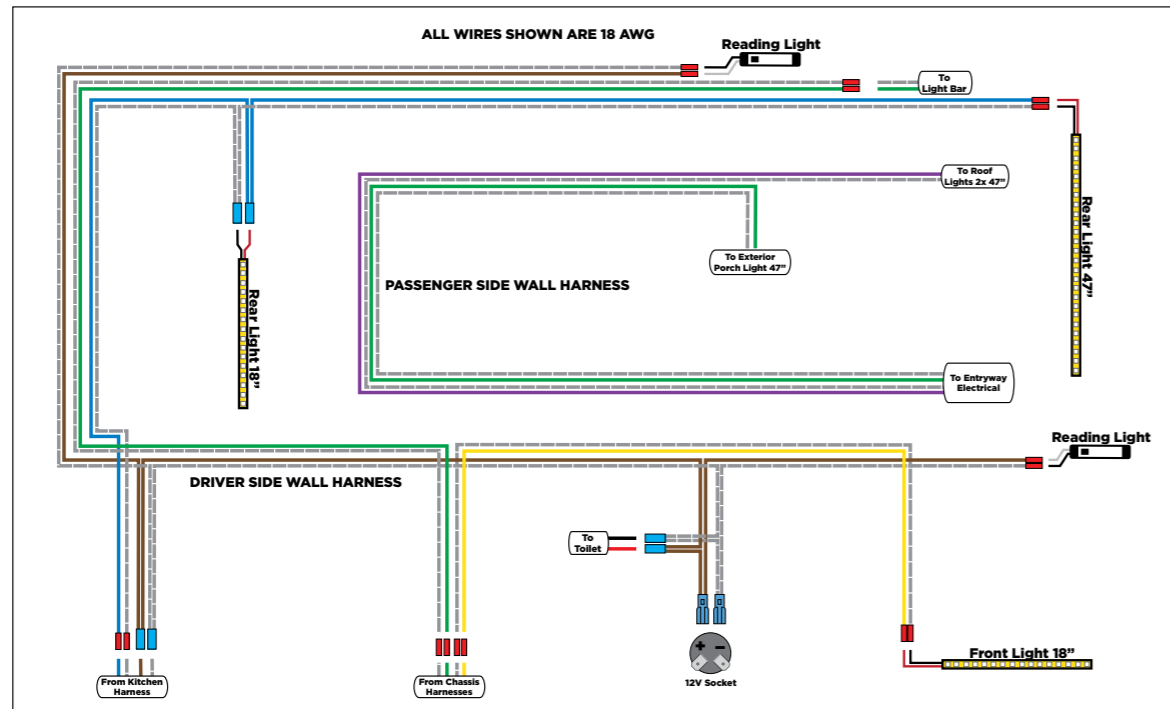
2022 Mantis Propane Kitchen Wiring Diagram



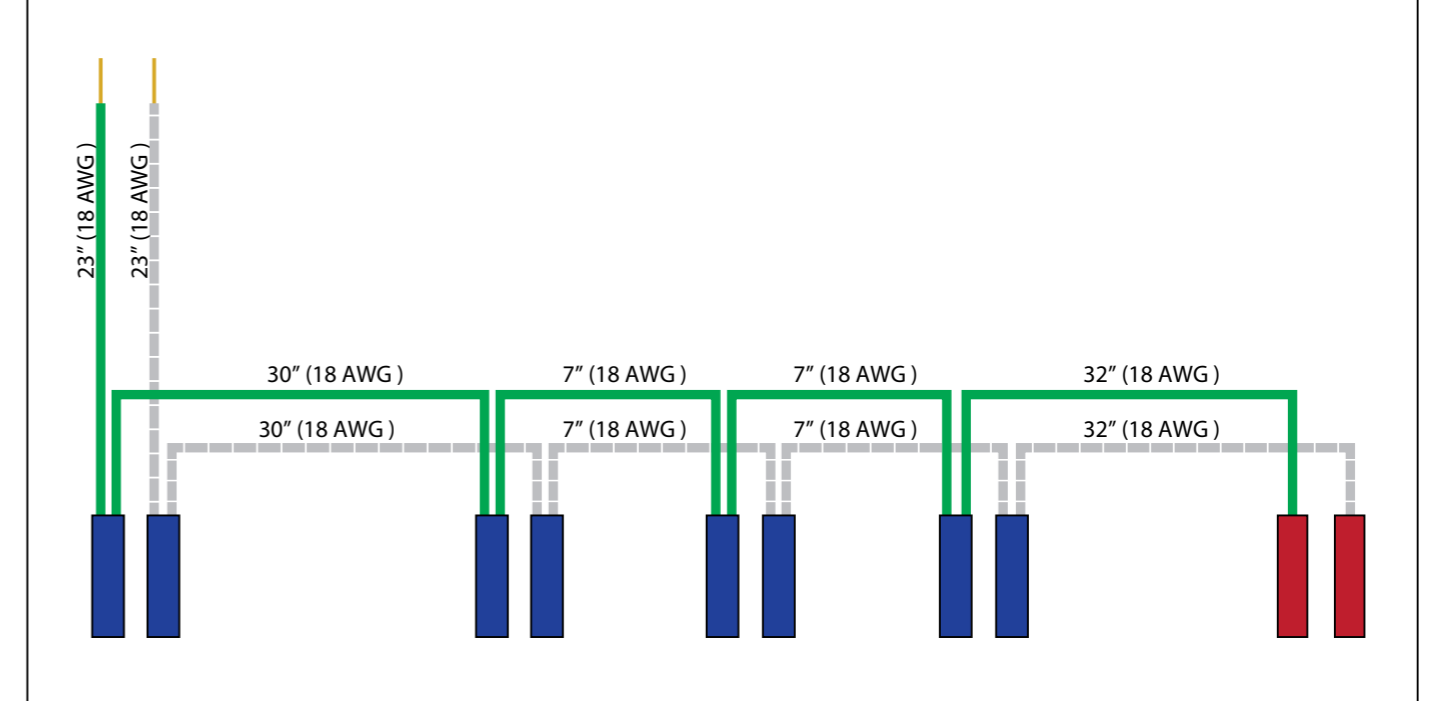
2022 Mantis Cabin Harness Routing



2022 Mantis Cabin Harness Diagram



2022 Mantis Rear Light Bar Wiring Diagram



WARNING: NEVER REPLACE INSTALLED CIRCUIT BREAKERS OR FUSES WITH CIRCUIT BREAKERS OR FUSES OF HIGHER AMPERAGE RATING THAN THOSE ORIGINALLY INSTALLED. THIS COULD OVERHEAT THE WIRING AND START A FIRE OR CAUSE OTHER ISSUES. DOING SO WILL VOID YOUR WARRANTY.

Your habitat's fresh water system is a vital part of your traveling life while on the road. Your Mantis is equipped with a dual supply water system: (1) the demand fresh water system operates from the habitat's supply tank and water pump; and (2) the "city water" hookup allows you to connect to a pressurized external water system at a campground.

FRESH WATER

Fresh water is stored in a plastic tank located below the floor of the habitat. The tank is vented to allow proper and complete filling. The drain valve allows you to drain the tank. Always drain the tank before storing the habitat for long periods. When the habitat is in continuous use for an extended period (generally over a month), inspect, drain and clean the tank regularly. The entire fresh water system should be sanitized before the first use, before the first use each camping season, after a reasonable period of non-use, and if the system is contaminated.

The easiest way to keep the tank full of clean water is to use (1) a dedicated clean potable water hose and (2) a filter system inline with your hose. You will need to purchase these items separately.

Note: Never use the hose for anything except filling the freshwater tank or connecting to city water, and always store it independently of other hoses and plumbing supplies. Nothing should pass through the fresh water hose unless it first passes through a filter inline with the hose.

Non-toxic, FDA-approved drinking water hoses are inexpensive and work well. They are typically white in color with a light blue stripe, which helps to identify the hose and serves as a reminder to keep it separate from other hoses or hardware, especially those used for waste drainage. You may consider using a special FDA-approved hose as many common garden hoses are made of reground rubber. As clean water hoses age and compounds break down, you may notice taste and odor-related impurities in your fresh water supply. To help counteract this process, be sure to screw the two (2) ends of the fresh water hose together following each use. This also prevents dirt or other matter from entering the hose.

WARNING: DO NOT FILL THE POTABLE WATER TANK TOO QUICKLY AS AIR CAN BE TRAPPED IN THE TANK IF YOU DO. Fill the tank slowly, allowing the air inside to escape through the inlet vent and reducing the possibility of water gushes and/or spray back.

FRESH WATER PREPARATION

1. Fill the fresh water tank as instructed.
2. Turn on the water pump switch.
3. Turn on the sink faucet(s) so that both hot and cold water is allowed to flow through.
4. Allow time for the water heater to fill.
5. Turn off faucets as the water flow becomes steady and free of air (stops sputtering, and a solid stream of water flows from the faucet).
6. Allow water pump to stop running (approximately 5 minutes after faucets are turned off).
7. System is now ready to use.

WATER PRESSURE

The recommended pressure for your plumbing system is <55 psi. Water pressure frequently varies depending on your location and water pressure exceeding 55 psi can damage your plumbing system. Don't worry though! Installed as part of your habitat's fresh water inlet is an integrated water pressure regulator that is automatically used when connecting to a city water supply.

WARNING: IF WATER PRESSURE AT YOUR SITE EXCEEDS 125 PSI, YOU WILL HAVE EXCEEDED THE CAPACITY OF YOUR WATER PRESSURE REGULATOR.

MAINTENANCE AND SANITATION

Potable water (suitable for consumption) does NOT stay potable for a long period of time. Be sure to exercise caution when deciding whether to use your stored water for drinking. We recommend that you be conservative in making this determination. If uncertain about the state of water in your fresh water tank, make every reasonable effort to use your stored water for washing, rinsing, and cleaning only. Regardless, you must diligently maintain your water system, emptying and replacing your fresh water periodically. We also recommend that you separately purchase and install a water purification system to attach to the sink faucet or at the city water inlet hose, especially if you plan on consuming your stored water.

For complete instructions from the manufacturer of your water heater, please view the manufacturer's product manual, available at: <https://taxaoutdoors.com/manuals/#appliances-accessories>

Truma Quick-Start Guide

CP Plus Functions

Adjust room temperature - Range: 40-86°F (5-30°C)

Select energy mode

- a) LP gas
- b) MIX 1* - Electricity 850W + Gas
- c) MIX 2* - Electricity 1700W + Gas
- d) EL* - Electricity 850W
- e) EL* - Electricity 1700W

*Truma Combi eco plus and comfort plus

Adjust water temperature

- a) **boiler** - Hot water generator is on. Icon flashes until desired temperature is reached.
- b) **eco** - Water temperature is 104°F (40° C)
- c) **hot** - Water temperature is 140°F (60° C)
- d) **boost** - Boiler content is heated quickly (boiler priority) for up to 40 minutes. The water temperature is then kept at the higher level (about 144° F (62° C) for two subsequent heating cycles. When the water temperature is reached, the room is heated again.

Set clock to current time

Set time switch
Set a start time and end time for room temperature, water temperature, energy mode and fan speed set points.

Settings
Index - Show version number of connected device
Bright - Adjust backlighting
Lang - Adjust language
12-24h - 12/24 hour mode
Temp - °F or °C
Offset - Calibrate temp offset
Pr set - Factory reset

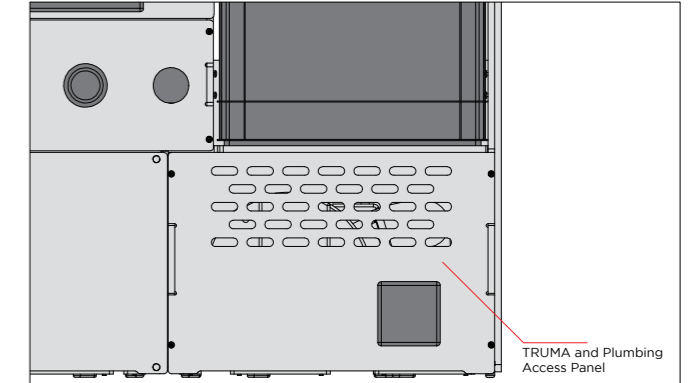
Select fan speed

- OFF** - Fan is switched off (If furnace mode OFF)
- a) **VENT** - Circulating air (If furnace mode OFF)
- b) **ECO** - Low fan speed
- c) **HIGH** - High fan speed
- d) **BOOST** - Fast room heating. Available if the difference between the selected and current room temperature is >18° F (10° C)

Your TRUMA COMBI is located at the bottom of your kitchen core behind a vented access panel (the same panels holds your propane and CO detector module). To the left of the TRUMA is the battery compartment.

If your TRUMA is mysteriously not working despite all your attempts at following directions the most likely culprit, after checking that propane is turned on, is a small switch on top of the unit that must be in the ON position for gas to flow and ignite..

Truma Location



WATER PUMP

Your water pump is generally referred to as a "demand" pump, operating when it detects a pressure drop in the water lines. If the indicator light is ON at the kitchen switch panel, the water pump is operational. Many campers only turn the pump on when using the plumbing - turning it off after usage. The pump vibrates and makes a humming noise when in operation.

WATER HEATER

Your Cricket is equipped with the TRUMA COMBI system - a combined propane furnace and hot water heater. Please refer to the TRUMA manual for complete instructions and maintenance procedures. You can find the appropriate manual on our website at: <https://taxaoutdoors.com/manuals/#appliances-accessories>. The controls for the TRUMA are electric and are located in the kitchen switch panel.

FILLING THE FRESH WATER TANK

1. Prepare the inlet on the driver's side panel of the Cricket.
2. Connect one end of a potable water transfer hose to a water supply, turn on the water supply and let the water run until it is clean and clear. Allow time for the water heater to fill.
3. Turn off the water supply, and place the other end of the transfer hose into the fresh water inlet located on the side of the habitat
4. Turn on the water supply and fill the tank until tank is full. Avoid overflowing tank as this can fill the vent tube with water. If the vent tube gets full of water the tank can become difficult to fill.
5. Remove and store the hose.
6. Slide cover cap back onto the fresh water tank inlet.

CITY WATER SYSTEMS

City water systems are connected using your potable water hose at a hookup located on the exterior wall of the habitat. Campground water systems have varying pressures, some of which can be too high for your habitat's plumbing system. A pressure regulator is built in to your habitat that can handle most situations. Please also see discussion of pressure regulators below.

Always connect to a quality water supply. A water supply delivered as potable is more likely to have been properly tested. If camping at a site with a water well, look for labels and other markings that reflect testing and approval dates. If you are unable to determine this information, be on guard and use caution before using the water supply provided at the site.

CONNECTING TO CITY WATER

1. Set the water pump switch located on interior panel to OFF.
2. Retrieve fresh water hose and attach one end to the threaded hookup located on the exterior wall of the habitat.
3. Before attaching to the site water supply, turn on the supply and allow the water to flow until it is clean and clear.
4. Turn off the site supply valve and connect the other end of the fresh water hose to the site water supply.
5. Turn on the site supply valve. You will not be using your habitat's water pump when using city water, because the water is pressurized.

Note: When leaving the habitat for more than 10-15 minutes, be sure to turn off the water pump and/or shut off the city water supply. A sudden, unexpected leak in the water system will allow the water system to run freely and flood the habitat if the water is pressurized.

Be sure to turn off the water pump while travelling/towing. If not, a faucet may open while travelling, causing fresh water to escape. If you leave the sink drain plugged, the sink will overflow causing the interior of the habitat to be flooded. Always set the water pump to OFF with an empty fresh water tank. Otherwise, it may destroy the pump and cause a blown circuit.

EMPTYING FRESH WATER TANK

The valve for the fresh water tank is located beneath the habitat directly connected to the

bottom of the white tank. It is white in color and the valve is white. Turn the valve to open and close when it has finished draining.

WASTEWATER SYSTEM

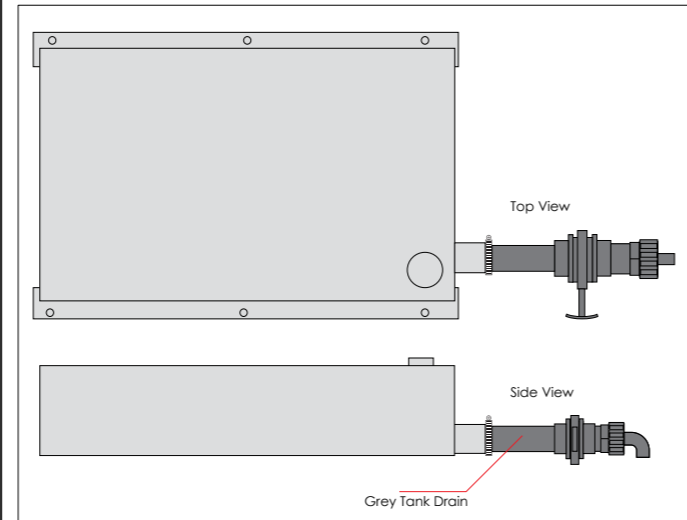
Your habitat has a GREY water holding tank (to collect drainage from the sink and/or bathroom and shower). It does NOT contain a BLACK water holding tank (for septic waste). Grey waste is contained in a "grey water" holding tank.

Note: Rules regarding proper waste disposal vary, sometimes greatly, from site to site. Please be sure to educate yourself on the waste disposal rules of your particular site / location and follow them.

EMPTYING GREY TANK

The grey tank drain valve is indicated by a sticker on the exterior of the habitat, located on the driver's side panel in front of the wheel. Pull the T-handle to open the valve. Close when grey tank is empty.

Grey Tank Drain Location



OUTDOOR SHOWER AND HOSE

Your habitat includes an outdoor shower. The outdoor shower is located on the driver's side behind a small square black door. Behind this is a hot and cold water valve and a Quick Disconnect (QD) valve to insert the blue coiled hose of the shower wand. The brass end on the hose simply pushes into the QD receptacle - a click will indicate it is secure.

To remove the hose after use push the nickel ring in (towards habitat) and the brass end will pop out.

There is a pink tag attached to the outdoor shower which has instructions for winterizing. They are repeated here:

"This faucet contains backflow prevention. Faucet must be drained for storage or if freezing weather is expected. To drain: 1. Disconnect water supply to the vehicle. 2. Open both Hot and Cold valves. 3. Insert flexible spout or coil hose with spray nozzle removed into quick disconnect. 4. Hold open end of hose or spout near ground and drain system. 5. Preferred method: open faucet as above and blow out entire water system with pressurized air or pump entire system with RV fresh water safe anti-freeze."

ROUTINE SANITATION PROCESS

Be sure to periodically conduct routine maintenance on your water system to keep it in good working order. This should be done between trips and/or every few months. There are many ways to do this and many supporting products from the RV industry.

EMPTYING WATER HEATER BETWEEN USES

1. Drain the fresh water tank.
2. Turn on the water pump and run the sink faucet on HOT until there is sputtering.

EMPTYING WATER HEATER FOR STORAGE

1. Drain the fresh water tank.
2. Turn on the water pump and run the sink faucet on HOT until there is sputtering.
3. In the Truma and Plumbing Access Panel, reverse the position of all 3 butterfly valves. This should leave both in-line valves in the 'open' position and the cross-linking valve in the 'closed' position.
4. Open the drain valve on the Truma.

For more details refer to the TRUMA manual. As an extra precaution and to avoid damage to your system we reprint the winterizing page from the manual in the following column.

For complete instructions from the manufacturer of your water heater, please view the manufacturer's product manual, available at: <https://taxaoutdoors.com/manuals/#appliances-accessories>

Truma Winterization Instructions

- NOTICE** Severe damage to the plumbing components and the Combi furnace! Damage due to freezing or an unsuitable winterizing fluid is not covered by warranty.
- Follow the recommendations below if the Combi furnace will be stored under freezing conditions or for an extended period of time.
 - Winterize the Combi furnace at the start of the winter season or before traveling to a location where freezing conditions are likely.

For winterizing, drain the Combi furnace, refer to "Draining the water container" on page 13.

After draining the water, the Combi furnace is protected against freezing conditions.

Optional: Winterizing the RV with a winterizing fluid

i Winterizing the RV with a winterizing fluid is only possible with an installed bypass kit (not in scope of supply), refer to the RV manual.

1. Drain the water container (refer to "Draining the water container" on page 13).
2. Turn the valves of the bypass kit according to the supplier's or RV manufacturer's guidelines.
3. Flush the water system with a suitable winterizing fluid according to the supplier's or RV manufacturer's guidelines.

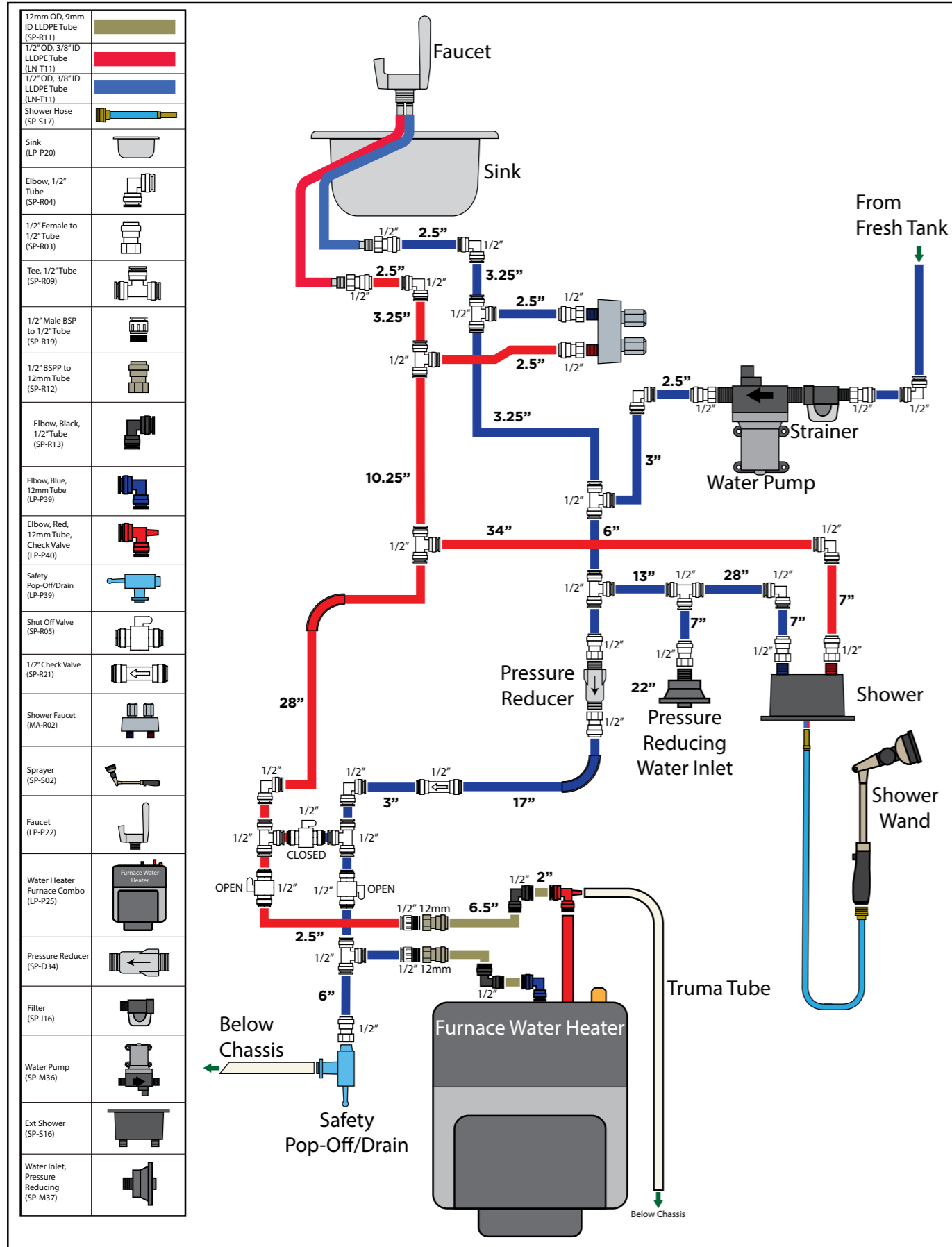
i Before using the Combi furnace again in hot water mode, remove the winterizing fluid and flush the water system with potable water.

To operate the Combi furnace in potentially freezing conditions, the following requirements must be ensured:

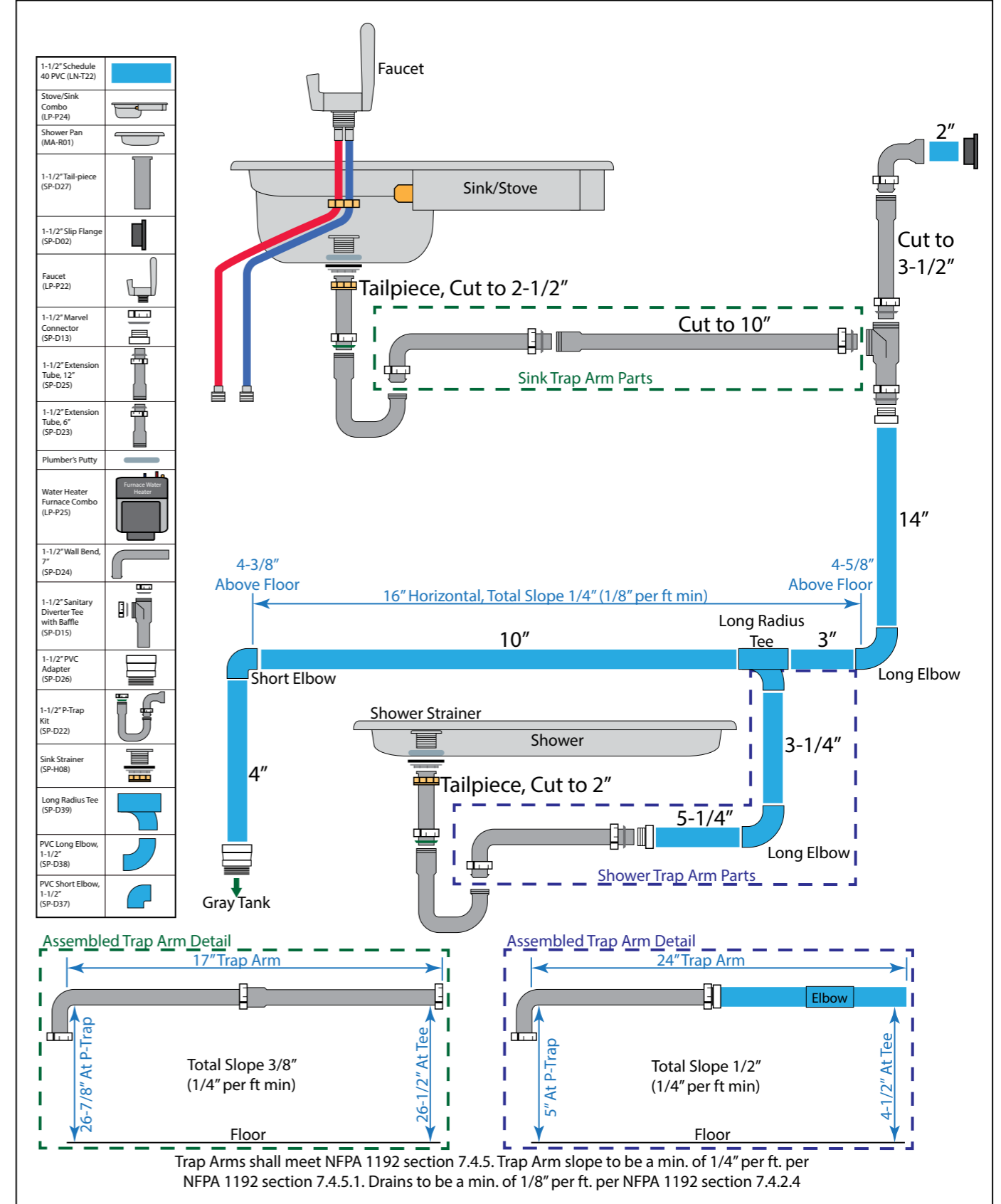
- There must be sufficient LP gas (propane; fuel inlet pressure 11 – 13 in. wc (27.4 – 32.4 mbar)) in the tank.
- In addition, the Combi eco plus and Combi comfort plus models require a supply voltage of 120 V if they are to be operated in electric or mixed mode.
- For hot water operation, the water container must be filled (refer to "Filling the water container" on page 12). You must leave the furnace powered ON whenever freezing might occur.

Winter operation will not protect the RV's entire plumbing system. The RV must be designed for freezing conditions.

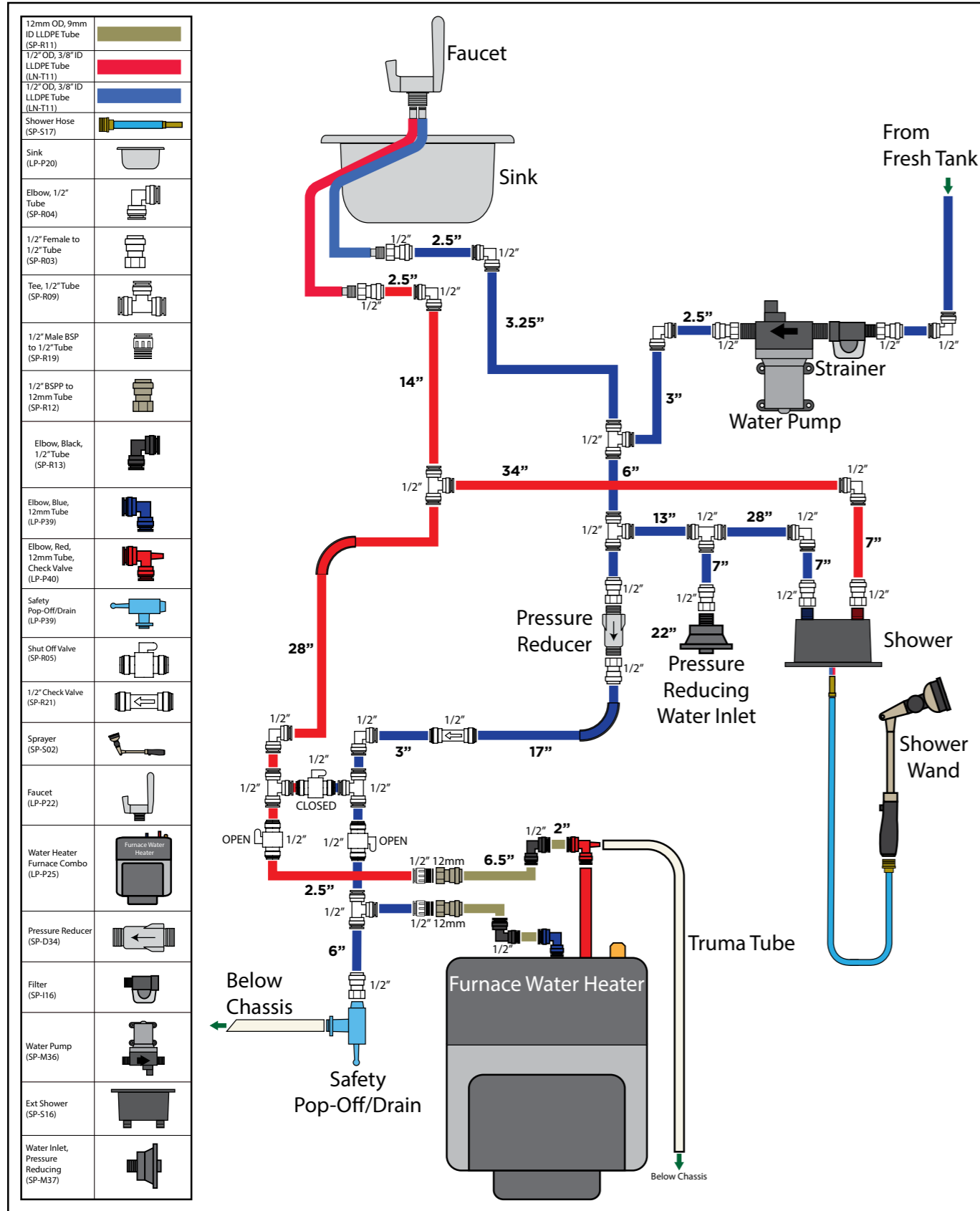
2022 Mantis Kitchen Plumbing System Diagram - WITH Optional Bathroom



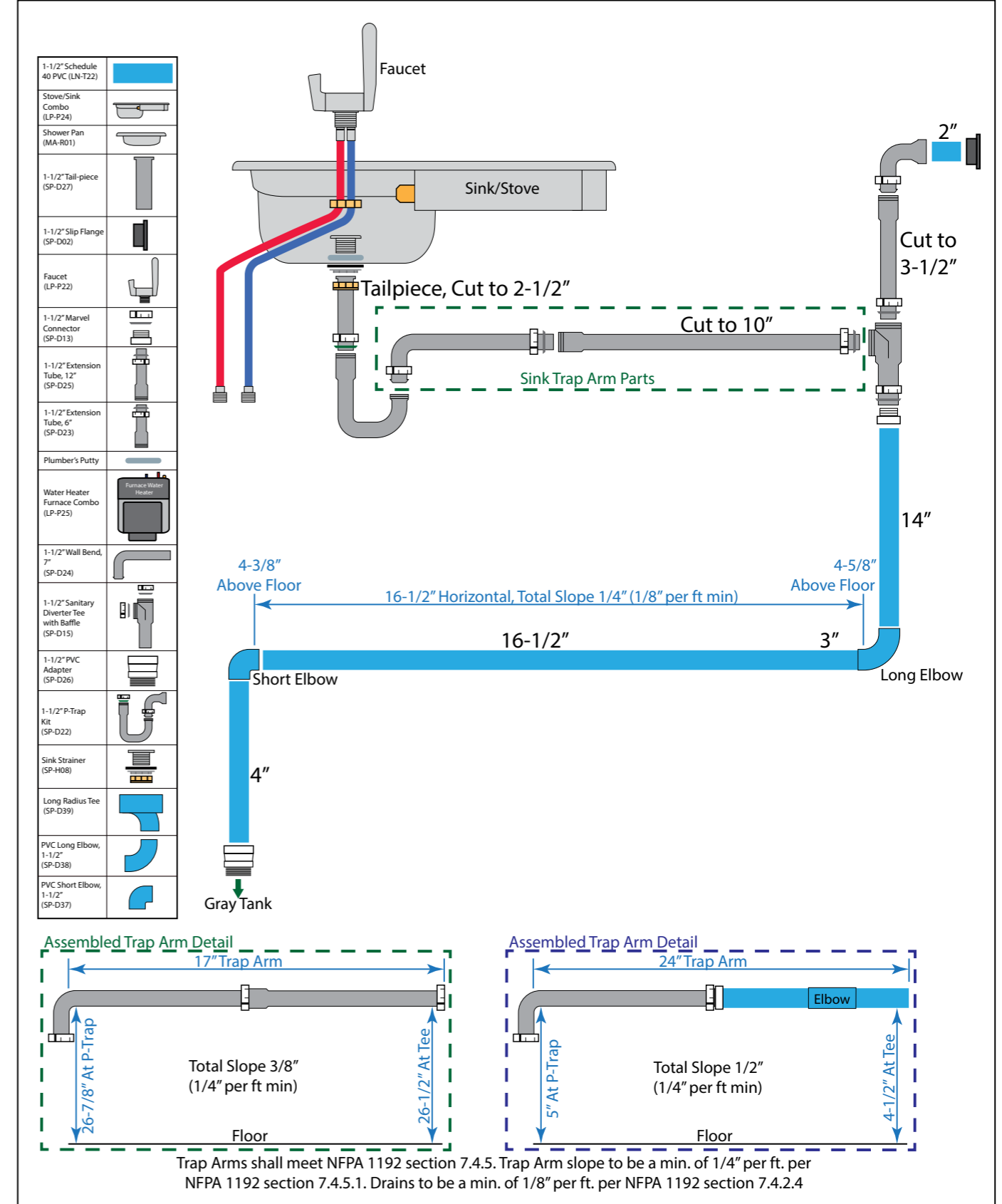
2022 Mantis Kitchen Drain System Diagram - WITH Optional Bathroom



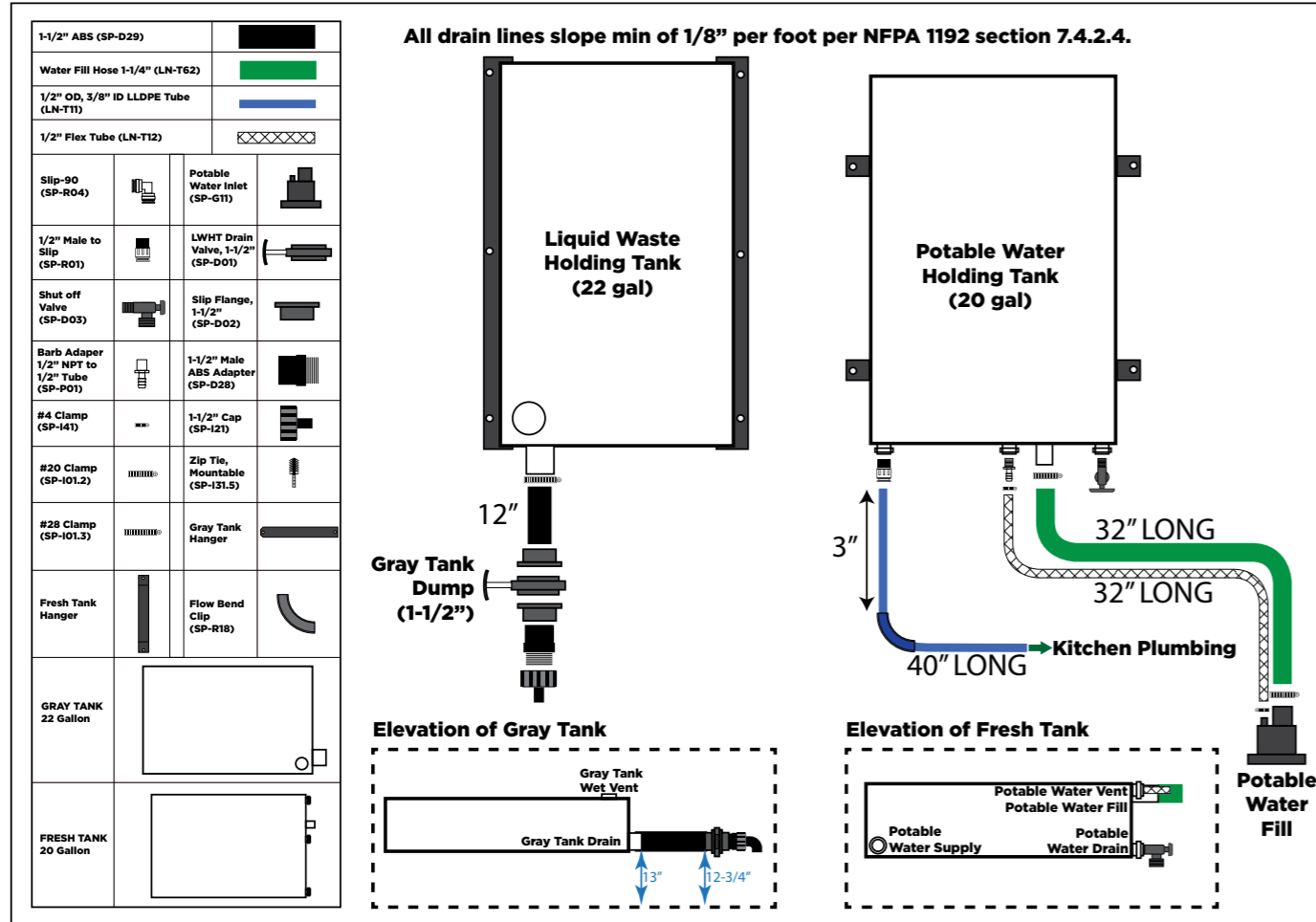
2022 Mantis Kitchen Plumbing System Diagram - WITHOUT Optional Bathroom



2022 Mantis Kitchen Drain System Diagram - WITHOUT Optional Bathroom



2022 Mantis Chassis Plumbing Diagram



Your habitat may have an optional bathroom, which includes a cassette toilet and an interior shower (in addition to the outdoor shower which is standard on all Mantis models).

INTERIOR SHOWER

1. Flip up the countertop and secure with the latch to prevent it from crashing down.
2. Remove the included privacy curtain from the snapped-on bag that hides the bathroom floor.
3. Attach the four carabiners to the waiting bungees / hooks on the ceiling, snap the bottom four corners to form your shower cubicle.
4. Velcro the flaps closed.
5. Bathe

CASSETTE TOILET

Your habitat may have a built-in cassette toilet based on options selected from the factory. Utilizing a cassette toilet rather than a Black water tanks gives you the freedom to empty into an RV dump station OR a pit toilet OR your home toilet with equal ease. Refer to and follow the manual associated with the toilet here:

(<http://www.thetford.com/wp-content/uploads/95/03/C402C-and-C403L-Cassette-Owners-Manual.pdf>).

Your habitat includes a pup-up roof. This roof uses gas springs and gas struts to pivot upward with ease and stay sturdy in a stiff breeze. Please ensure that your roof is completely latched in a proper manner before towing. We also suggest following the closing instructions for storage of any kind.

ROOF OPENING

1. Enter the habitat and unlatch two (2) red-colored interior hold-down latches (located at entry door and over WC), both of which have a thumb catch.



2. Push roof up from center front of roof interior. Place hands on either side of center spine and push upwards. Gas springs will assist the lift and prevent a sudden closing.

ROOF CLOSING

1. While inside the habitat, pull downward on the hanging straps that are attached at the highest point of the roof.
2. The roof will close slowly as the force is dampened by two gas springs. Pull slowly and steadily.
3. Before the roof closes all the way, pull in any tent side material that has billowed outwards. This step is crucial to ensure damage is not caused to your tent side.
4. Secure the two interior latches. Make sure the thumb catches are caught.
5. Walk around the exterior of the habitat to ensure that no tent fabric is caught in the roof and that no jacks, cords, hoses, etc were left in place.

NOTE: You must roll tented side fabric to ensure side latches do NOT catch and or tear and/or cut fabric walls while latching. Be sure to carefully roll and tuck the fabric side walls into the unit when lowering the roof. Rips and tears and other damage caused by improperly closing the roof are NOT included under the Taxa Inc. Limited Warranty. See "Limited Warranty" section herein.

WARNING: BE SURE TO WATCH YOUR HANDS AND FINGERS WHEN SECURING LATCHES.

MANTIS TENT SIDES

Your Mantis tent side is your friend. It keeps you dry in the rain and shaded from the sun. Sometimes a bird may poop on it, or maybe your daughter heaves a mud ball, it misses their brother and hits the tent side. Taking the tent off and spraying it with a hose usually takes care of these things. If not correctly installed, the tent side can actually cause your Mantis to leak.

It goes on and off really easily. You should be comfortable in doing so. It only takes a few moments in either direction.

REMOVING TENT SIDES

1. Inside the habitat, start at one corner of the inside roof and detach the bottom corner of a side. It is attached with Velcro.
2. Use that corner to start pulling the tent bottom edge off as you walk around the habitat's inside.
3. Repeat for top edge, gathering the removed tent side in your arms as you go. The Mantis tent is created in four segments. Detach the Velcro that attaches the tent.
4. Fold carefully.

INSTALLING TENT SIDES

1. Separate the Mantis tent into its four sides and four corner pieces.
2. Open your Mantis roof. Attach side panels first. Then attach front and rear panels starting at the center of each.
3. Attach all four corners from the exterior.

AWNINGS

An awning or shade structure can be a very useful addition to your Mantis. Shelter from the sun, rain and bugs can be achieved with different styles.

Your Mantis may have an 8 foot wide awning that covers the side door, 'food service' window and approximately 50 square feet to shelter you from the sun and rain. You can purchase screen enclosures and outside room enclosures that pair with this awning.



TENT WINDOWS

An awning or shade structure can be a very useful addition to your Mantis. Shelter from the sun, rain and bugs can be achieved with different styles.



Insect screen in place

Front insect screen unzips for access to the sky



Zipper are fully adjustable for stability or inclement weather

If all the way open Use top to make a seal (close during driving rain)



Your habitat was NOT designed for use in extreme climates or weather situations. Your habitat was designed for short-term use (typically seven days or less) in normal, moderate temperature and climate conditions. Normal, moderate temperatures are between 320 F and 1000 F. Climates falling outside of this range are considered extreme for purposes of this manual and your habitat. Be advised that some of your habitat's systems and components are not appropriate for use in extreme climates and may require special precautions.

NOTE: Some damages or losses arising out of use of your habitat in extreme climate conditions may not be covered under the Limited Warranty. See Limited Warranty section herein. Thus, before you consider using your habitat in extreme conditions, please read this full section. If conditions are extreme due to weather or other natural or unnatural causes BE SAFE! Get yourself to safety. Get your vehicles to safety as a secondary concern.

PLUMBING SYSTEM

Your habitat's fresh and waste water plumbing will require preparation and/or attention during extreme cold weather use. The interior plumbing can be kept from freezing either by use of your furnace OR by draining all lines and traps. The fresh water and greywater tanks are exterior and not insulated. Freezing temperatures can cause extensive damage to the plumbing system, resulting in costly repairs or replacement not covered under your Limited Warranty. Your plumbing system and components should not be used in below freezing conditions. Remember that no portion of the plumbing system is situated in a heated compartment, and much of it is directly exposed to the outdoor air and especially susceptible to freezing. Thus, be sure to take notice of where all plumbing is situated in your habitat. Thoroughly thaw out, drain, and dry hoses before storing and drain holding tanks if possible. This should reduce the likelihood of damage to your tanks from a freeze. Supply your habitat with bottled water for drinking, cooking, washing and brushing your teeth. You may also consider winterizing your habitat. See "Winterization" section herein.

INSULATION AND HEAT

Keep the inside of the habitat heated and insulated. Use your furnace that is integrated into the habitat to keep interior temperatures modulated. Follow all manufacturer's instructions for safety.

The panels of your habitat are insulated. You may consider installing heat tape or similar underneath the habitat and around exterior plumbing components. If applicable, wrap the fresh water inlet plumbing and waste lines with heat tape. Be sure to follow all use and installation instructions provided by respective manufacturers.

BATTERY AND ELECTRICAL SYSTEMS

If you are connected to shore power or have a generator, you should have all the power you need to operate appliances. You can easily run your furnace, or you can plug in a portable electric heater if using shore power. However, if you are dry camping (i.e. no shore power or generator), your battery or batteries will be your only source of power, and thus, your primary electrical system is a concern in extreme cold. Be sure to keep the battery charged and conserve available energy when possible. Remember that there is no substitute for common sense when camping in extreme weather conditions. Please also refer to the "Battery" and "Electrical System" sections herein.

EXTREME HEAT AND COLD

Extreme heat and extreme cold can cause injury and or death, especially to the elderly and young. Take all necessary precautions when camping. Here are some notes for camping in:

1. **Winter:** Bring bottled water for drinking, washing, brushing teeth etc. Keep plumbing lines and tanks free from water in prolonged freezing conditions. Your furnace will keep you warm even with the roof up. Have a good sleeping bag, zip two together. Closing the roof at night for extra insulation may permit sleeping in temperatures below freezing.
2. **Spring:** No special considerations unless you are up high or far north where temps may drop below zero at night.
3. **Summer:** Your habitat's roof is insulated! on the hottest of days being inside is like being on a porch - shady and with great cross-ventilation. Have a siesta in the middle of the afternoon and stay up late! Get a clip on a 12v fan or two! Some climates support swamp cooler use. Some may need an AC
4. **Fall:** No special considerations unless you are up high or far north where temps may drop below zero at night.



If storing your habitat in persistently cold weather (less than 20 degrees F), you must prepare your habitat appropriately. We recommend that you store your habitat in a dry, level, well-ventilated area protected from the elements. Use blocks, chocks, or ramps for the wheels, if necessary. A garage is ideal. Refer to and follow the following storage preparation guidelines.

INTERIOR

Open your refrigerator, if any, and remove all food items, block the lid open to provide air movement. Spread out your upholstery so that air can reach all sides. Open all cabinet doors and drawers, including interior storage area. Place containers of moisture-gathering beads in the habitat. Clean the floor, walls and all surfaces.

CHASSIS

Lubricate all grease fittings on the axle hubs. Check all tires for damage and set tire pressure to the maximum as indicated on the tire sidewall. Clean the tires and wheels with regular soap/car wash solution. Clean the tires and wheels as well as the underside of the habitat. Wash off mud and/or other road accumulations on frame, axles, and other components. Inspect and make note of damage in the area of any components.

EXTERIOR

Close all vents and windows and thoroughly wash the exterior, including roof, sidewalls, and front and rear. Note any maintenance issues that arise that may be needed. Inspect the sealants around roof accessories (vents, racks, etc.), windows and doors, reseal as necessary before winter rains or snows accumulate (to prevent leaks when snow melts in spring). Cover all exterior appliance vents. Extend the awning (if equipped). Vacuum or sweep away branches, leaves, and any other debris. Wash with a mild, natural soap to reduce mildew. Allow to dry completely before retracting the awning. Be sure all exterior components, attachments, etc. (breakaway switch, cords, safety chains) are secured.

MOVEMENT

Prevent habitat from rolling unexpectedly during storage - chock wheels, raise leveling jacks, and retract step assembly.

PLUMBING SYSTEM

Proper preparation and winterization of your habitat fresh water and greywater systems is vital. Freezing water expands, leading to possible rupture of tubing, fittings, tanks, and fixtures. Thus, be sure to empty the holding tanks before storing and winterizing. Drain hot water or fill traps and lines of system with non-toxic antifreeze if you are unable to blow out any pockets of water with pressurized air. Turn off the water heater, if any, and let it cool. Remove access panel and remove HW distribution line per instructions in section "plumbing system." Siphon water from the tank per same instructions. Reinstall HW line by firmly pushing it back into place. Open your sink and shower faucets, both hot and cold, Open the drain valves of both the gray and potable water tanks, and fully drain the tanks. Close the valves when tanks are completely drained and empty. Disconnect the shower hose and drain the hose. Drain your TRUMA furnace and hot water heater per manufacturer's instructions.

For complete instructions from the manufacturer of your water heater, please view the manufacturer's product manual, available at: <https://taxaoutdoors.com/manuals/#appliances-accessories>

NOTE: All fresh water lines must be flushed with fresh water to clear the fresh water system of any antifreeze prior to using fresh water system after storage.

ELECTRICAL SYSTEM

Preparation and winterization of the electrical system primarily revolves around your battery. Proper battery storage helps ensure both the powering up of your habitat systems on your next trip, and maximizes the life of your battery. Refer to the "Battery" section of this manual for proper storage information. Important Note: remember to turn off all electric loads in your habitat prior to storage.



If your habitat was properly and carefully stored and winterized, taking it out of storage and preparing it for another travel season should be relatively simple. Note: if your habitat sustained damage while being stored, please consult with your dealer or Taxa Inc. for information regarding repair or service options. The following checklist assumes that you stored your habitat with care.

1. Thoroughly inspect the habitat exterior, looking for animal nests in, for example, wheel wells, compartments or openings.
2. Open all doors and compartments, checking for animal or insect intrusion, water damage, or other deterioration
3. Check the charge level in all batteries and recharge as needed.
4. Check tire pressures and re-inflate to specified cold pressure.
5. Lube chassis
6. Check all exterior lights, and replace as needed.
7. Drain, flush and sanitize the fresh water system as outlined in the General Care and Maintenance chapter.
8. Inspect the drain hose for leaks and replace it if necessary.
9. Turn on sink faucets and all plumbing fixtures (faucets, water pump, Hot Water Heater), checking all joints and fittings and repairing leaks, if any.
10. Check all 12-volt DC circuit fuses.
11. Operate all 12-volt DC lights and equipment.
12. Test the carbon monoxide detector as manufacturer's instructions (if equipped).
13. Check your shore-line power cord, 7-pin connector, converter, all outlets, breakaway switch, and any exposed wiring. If defects are found, refer service to your dealer.
14. Operate air conditioning system (if equipped)
15. Inspect and clean the interior
16. Check sealants on and around the roof, body seams, and windows, resealing as needed.
17. Wash the exterior, thoroughly flushing the habitat underside.



Our dealers and their contact information are subject to change periodically. Please refer to our website www.taxaoutdoors.com for updated dealer and contact information lists.

LIMITED WARRANTY



We want you to enjoy your habitat without problems. As the owner, you are responsible for regular care and proper maintenance of your habitat. Proper use, care, and maintenance will help avoid situations under which the Limited Warranty will not cover items due to neglect or misuse. Maintenance should be performed in accordance with this manual as well as the corresponding component manufacturer's manuals included within your habitat. If you have any questions at all regarding proper care or maintenance, please contact your dealer or Taxa Inc.

This limited warranty gives you specific legal rights. You may also have additional legal rights, which vary from state to state. Taxa Inc.'s warranty obligations are limited to the terms set forth herein and applicable law. Any additional statements concerning this limited warranty not included herein, whether oral or written, are not the responsibility of Taxa Inc. and should not be relied upon you. Please contact us if you have any questions regarding the following limited warranty.

LIMITED WARRANTY COVERAGE

Coverage - Plumbing and Electrical Systems

Defects in material and workmanship in the plumbing and electrical systems as originally installed by Taxa Inc. only. The duration of this Limited Warranty for the plumbing and electrical systems is for a period of one (1) year, beginning on the date of purchase by the original owner/purchaser and ending one (1) year from such date.

Coverage - Structural

Defects in material and workmanship in the structure of your habitat as originally installed by Taxa Inc. only. The duration of this Limited Warranty for the structure is for a period of two (2) years, beginning on the date of purchase by the original owner/purchaser and ending two (2) years from such date. The structure includes only the frame, wall framing, floor framing and their connection to each other. It does not include attachments to the structure. Attachments include but are not limited to the following: axles, tented sides, stabilizer jacks, steps, couplers, vents, windows, shades, roof tracks, roof racks, appliances, add-ons, accessories, component parts, air conditioning unit, and refrigerator.

Taxa Inc. will, in its sole discretion, repair or replace, as necessary, the covered material or workmanship, at no cost to you and within industry standards. Taxa Inc. will also, in its sole discretion, use the same, substantially similar, new, remanufactured, refurbished, and/or reconditioned components, parts, materials and/or systems in fulfilling its obligations under this Limited Warranty. Taxa Inc., in its sole discretion, shall determine whether the dealer, service center, or other authorized facility is the appropriate location to perform the covered warranty repairs or replacement, if any. You shall be responsible for delivering the habitat to the dealer, service center or other facility designated by Taxa Inc. for such covered repairs or replacement, if any.

After a repair is performed, inspect it thoroughly. Go over the repairs with the dealer and/or service center representative. Upon your satisfaction, sign the repair order. In the event a problem should reoccur after you have left the dealer or other authorized facility, contact the dealer or Taxa Inc. as soon as possible so that the situation can be resolved quickly.

Owner's Responsibilities

Your responsibilities include: (1) carefully reviewing and following the information and instructions contained within this manual and all supplied component manuals; (2) proper care, use and maintenance of your habitat as outlined by this manual and all supplied component manuals; and (3) returning your habitat to an authorized dealer, service center or other facility authorized by Taxa Inc. to perform any necessary, covered warranty repairs, service or replacement.

WHO IS COVERED BY THIS LIMITED WARRANTY

Only the original purchaser/owner of the unit is covered under this Limited Warranty. This Limited Warranty is not transferable and does not cover subsequent purchasers/owners of the unit.



LIMITED WARRANTY

HOW TO PROPERLY SEEK A REMEDY UNDER THIS LIMITED WARRANTY

(1) Written or electronic notice of your warranty claim or claimed defects along with (2) your dated receipt as proof of purchase must be given either to the selling dealer or Taxa Inc. not later than ten (10) days after the expiration of the applicable limited warranty duration period as defined herein. Otherwise, your warranty claim will be considered untimely. Failure to timely notify of a warranty claim will void this limited warranty.

If your dealer is unable to resolve your warranty claim or you would like to first notify us of your warranty claim, please contact us as follows:

Taxa Inc., 1830 West 15th Street, Houston TX 77008, Tel: 713.861.2540, and Email: hello@taxaoutdoors.com. Please also visit our website www.taxaoutdoors.com for any updated contact information.

SOLE AND EXCLUSIVE REMEDY

TO THE MAXIMUM EXTENT PERMITTED BY LAW, THIS LIMITED WARRANTY AND THE REMEDY EXPLAINED HEREIN ARE EXCLUSIVE AND IN LIEU OF ALL OTHER WARRANTIES, REMEDIES AND CONDITIONS, WHETHER ORAL OR WRITTEN, EXPRESS OR IMPLIED. TO THE MAXIMUM EXTENT PERMITTED BY LAW, TAXA INC. SPECIFICALLY DISCLAIMS ANY AND ALL IMPLIED WARRANTIES, INCLUDING WITHOUT LIMITATION, WARRANTIES OF MERCHANTABILITY AND FITNESS FOR A PARTICULAR PURPOSE. THE FOREGOING DISCLAIMER OF IMPLIED WARRANTIES SHALL NOT APPLY TO YOU OR THE HABITAT IF SUCH DISCLAIMER IS IMPERMISSIBLE UNDER APPLICABLE LAW.

WHAT IS NOT COVERED UNDER THIS LIMITED WARRANTY/EXCLUSIONS

This limited warranty does not cover any damage, loss, deterioration or malfunction resulting from any alteration, modification, improper or unreasonable use or maintenance, misuse, abuse, tampering, accident, neglect, exposure to excess moisture, fire, lightning, power surges, and/or acts of nature or God. This limited warranty does not cover any damage, loss, deterioration or malfunction resulting from any repairs attempted by anyone unauthorized by Taxa Inc. to make such repairs, or any other cause which does not relate directly to a defect in materials and/or the workmanship of this unit.

Without limiting any other exclusion herein, Taxa Inc. shall not be liable for any incidental or consequential damages, including but not limited to travel, transportation, and lodging expenses, loss or damage to personal property, loss of use, inconvenience or loss of income whenever allowable under state law. Damages for any failure to successfully repair or replace any defect in accordance with this limited warranty shall be limited to the reasonable cost of such repair or replacement as of the time of the alleged failure or defect. This exclusion of consequential and incidental damages shall be deemed independent of, and shall survive, any failure of the essential purpose of this limited warranty.

THE FOLLOWING NUMBERED LIST (1 THROUGH 24) IS NOT EXHAUSTIVE AND DOES NOT LIMIT ANY OTHER EXCLUSION OR LIMITATION DISCUSSED HEREIN OR PERMITTED BY APPLICABLE LAW. THIS LIMITED WARRANTY SHALL NOT COVER NOR APPLY TO:

(1) Items not manufactured, installed or sold by Taxa Inc., whether warranted separately or not by their respective manufacturers, including but not limited to, tires, batteries, fuses, ac units, heaters, refrigerators, porta-potty's, roof racks, generators, structural and other modifications, and all other such equipment, products, accessories, components, parts, add-ons, appliances, and attachments;

(2) Habitats used for and/or damage or loss arising from business, rental, commercial, residential, or disaster relief purposes/uses, and/or any non-recreational purpose/use;

(3) Habitats not originally sold through an authorized Taxa Inc. dealer;

(4) Habitats sold through auction, repossession, salvage or in an otherwise "distressed" condition, etc.;

(5) Damage or loss caused in whole or in part by the acts or omissions of any kind by any party other than Taxa Inc., its agents, representatives or employees;

LIMITED WARRANTY



(6) Damage or loss caused in whole or in part by misuse, abuse, neglect, theft, vandalism, product modification, improper owner, customer or dealer installation, incorrect line voltage, unauthorized repair or failure to properly maintain and/or to follow instructions in accordance with this manual. In particular but not limited to, damages from failure to regularly check, inspect and maintain sealants and seals around roof penetrations, attachments, windows, doors, joints, and seams shall not be covered under this limited warranty;

(7) Routine/normal maintenance and service items including without limitation, caulking, re-caulking and waxing of the body of the habitat, tightening screws, brakes, latches, locks, changing fuses, or light bulbs, maintaining the batteries, air conditioning, heating, plumbing and electrical systems, lubricants, sealant and seals, etc., and/or damages resulting from lack of proper maintenance and servicing;

(8) Adjustments to all doors, drawers, locks, latches, slide-outs, awnings and window treatments after ninety (90) days of the date of the original retail sale;

(9) Damage or loss caused in whole or in part by unauthorized attachments, modifications or alterations to the structure, body, pin box, or frame of the unit including but not limited to habitat hitches, or platforms for supporting cargo;

(10) Normal deterioration due to wear or exposure such as but not limited to upholstery damage, fading of fabrics, drapes, carpet wear, tears, punctures, dents and/or scratches to the exterior from the roadway, hanging branches, etc.;

(11) Damage or loss caused in whole or in part by the overloading or the improper balancing/distribution of the load;

(12) Damage or loss caused in whole or in part by the willful or negligent acts of the driver of the tow vehicle, an accident involving the habitat, the condition of any road surface over which the habitat is pulled, or the striking or driving over or through a curb or any other object;

(13) Damage or loss to the habitat caused in whole or in part by the tow vehicle including but not limited to the improper selection or installation of towing hitch and hitch assembly on the tow vehicle;

(14) Any injury, loss or damage due to mold, bacteria or fungi;

(15) Damage or loss caused by or arising from the operation, use, or misuse of the tow vehicle;

(16) Any and all damage or loss to the tow vehicle;

(17) Damage to electronics due to voltage issues;

(18) Representations made by any person (including your dealer) beyond those stated in this Limited Warranty;

(19) Any incidental and consequential damages or loss, and extra expenses including, but not limited to, transportation generally, transportation to and from dealer or authorized service center or manufacturing location, loss of time, loss of pay, loss of use of the habitat, inconvenience, commercial loss, towing charges, bus and taxi fares, vehicle rental, telephone calls, fuel, food, lodging, etc.;

(20) Damage caused by or related to: (a) Accidents, misuse, recklessness, indifference, or negligence; (b) Failure to comply with instructions contained in this Owner's Manual or any other manual related to your unit; (c) Alteration, change or modification of the habitat or damage incurred resulting from alteration, change or modification; and (d) exposure to natural atmospheric elements or environmental conditions, chemicals, ash or fumes generated or released by vehicles or any other item, collision, road hazards, rock chips, condensation, or any other source (salt, hail, Acts of God, etc.);

(21) Damages related to moisture, condensation, mold, saturation or water;

(22) damages to your cargo or tow loads;



LIMITED WARRANTY

(23) damages resulting from or related to the use of your habitat in extreme weather conditions as defined in the "severe weather use" section of this manual.

(24) any item not specifically listed in the coverage paragraphs of this section.

(25) any water leaks or related consequential damages that are a result of owner's failure to properly maintain the exterior seals. Any water leaks or related consequential damages that arise after the limited one year warranty expires (water leaks are not considered structural warranty).

APPLIANCES/COMPONENT PARTS/ACCESSORIES

Be advised that the manufacturers of some, if not all, of your habitat's appliances, component parts, add-ons and accessories will offer you their own separate warranties. Such wholly separate, additional warranties, if any, are administered directly from and are the sole responsibility of the manufacturer of the specific component part or appliance. Taxa Inc. has no responsibility nor does it have any obligation related to these wholly separate, additional warranties, if any.

You are solely responsible for timely completing and forwarding warranty forms and registrations, and the proper processing of all warranty claims for all components, add-ons, and appliances installed in your habitat. Failure to do so may result in loss of warranty coverage by the component or appliance manufacturer. Note: upon your request, Taxa Inc. may, in its sole discretion, reasonably assist you in the processing of such separate warranty.

LEGAL CONSIDERATIONS

CHOICE OF LAW

To the maximum extent permitted by Law, the laws of the State of Texas shall apply to the terms of this Manual and Limited Warranty, and any and all disputes arising out of any limited warranty claim or the purchase or repair of your habitat.

VENUE

To the maximum extent permitted by law, Houston, Harris County, Texas shall be the proper venue for any suit filed by you arising out of any limited warranty claim or the purchase or repair of your habitat.

MEDIATION

To the maximum extent permitted by law, a mediation by and through an agreed upon mediator shall be conducted prior to the filing of any suit by you arising out of any limited warranty claim or the purchase or repair of your habitat.