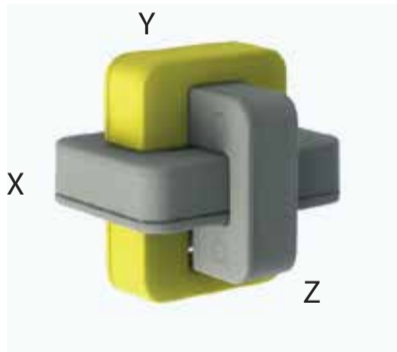


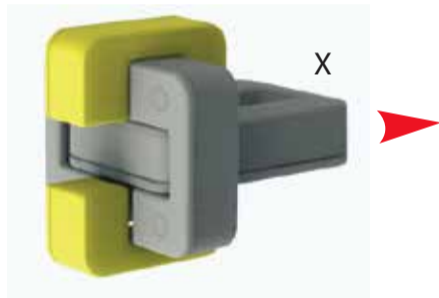
# Taking apart

1



Holding the puzzle in two hands

2

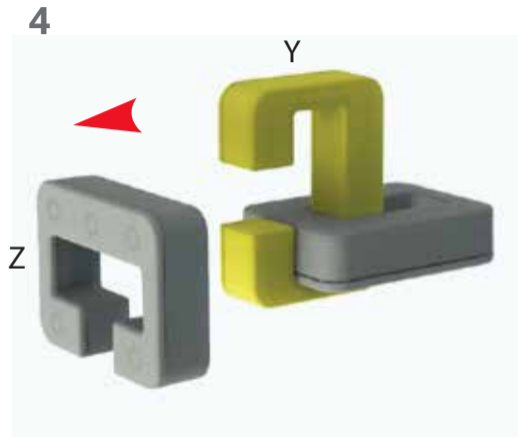


Push part X out

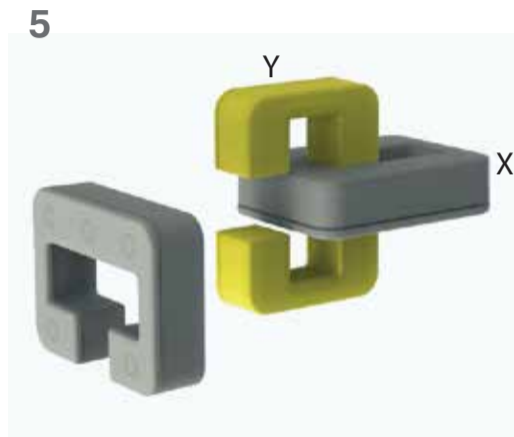
3



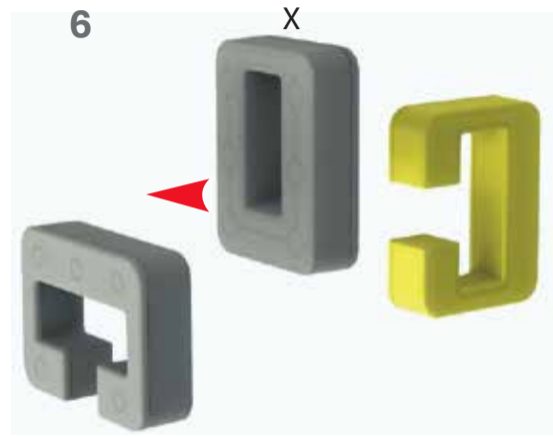
Push the highlighted yellow part Y up



Slide part Z through the space in the highlighted yellow part Y

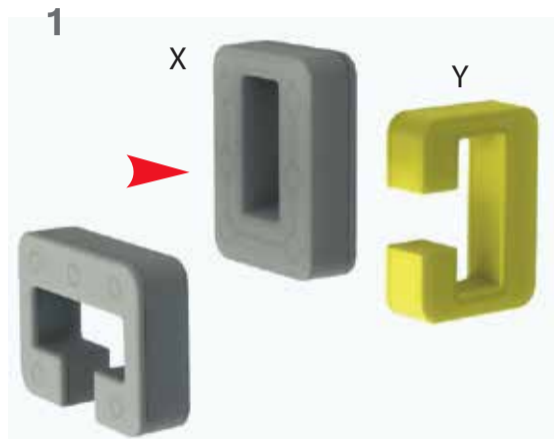


Slide part X up to the gap in part Y

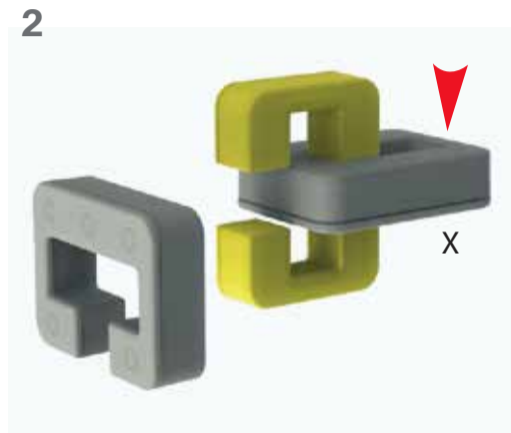


Rotate part X 90 degrees and slide out of the highlighted yellow part

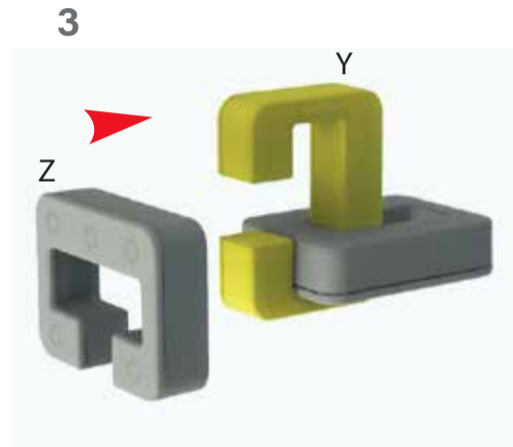
# Back together



Slide part X through the space in the highlighted part Y



Rotate part X 90 degrees and slide out of the highlighted yellow part



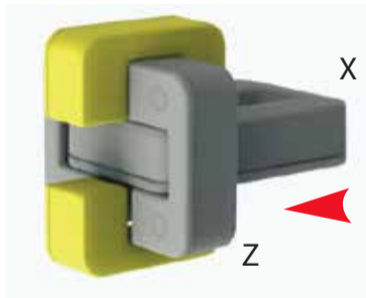
Slide part Z through the space in the highlighted yellow part Y

4



Push the highlighted yellow part Y down.

5



Push part X through part Z

6



Finished