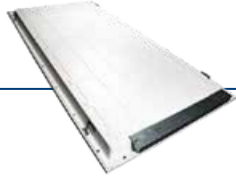


# LED BACK-LIT PANEL LIGHT (DLC 5.1 PREMIUM)

- 0-10V Dimming, Flicker Free.
- 170VDC or 48VAC input emergency optional.



# LED Back-lit Panel Light



## Power&CCT adjustable



Dimmable



4000 / 5000...



50,000 H



BEAM ANGLE

Number	Item	Wattage(W)	Size (inch)	CCT* (Kelvin)	Luminous flux (lm)	CRI (Ra)	Beam angle (Degree)	Pack Qty (Pcs)	Dimming
COM-17-001		40/50/60	47.7*23.7*1.52	3000K-4000K-5000K-6500K	5200/6500/7800	>80	120°	6	0-10V
COM-17-7456		20/30/40	23.7*23.7*1.52	4000K-5000K-6000K	2600/3900/5200	>80	120°	6	0-10V

\* For more technical information, please contact our sales representative.

## Model Instructions

### COM-17-001

Company Code	Category	Series	Size	Max Power	CCT Options	CCT Options	Version
DYU	PL	2	612	40/50/60	T	XX	YY
	PL= Panel Light	2= the 2nd Generation	612=1213mm*603mm =47.7inch*23.7inch	60W	T-4 CCTs Options	3000K-4000K-5000K-6000K	Commercial code It can be number or A, B, C, D

\* All data are related to the entire product  
Due to the special conditions of the manufacturing processes of LED, the typical data of technical parameters can only reflect statistical figures and do not necessarily correspond to the actual parameters of each single product which could differ from the typical value.

## Electrical and Photometric Characteristics



Beam Angle  
>120°



IP Rating  
IP20



Power Factor  
>0.9



Dimmable



CRI  
>80



Starting Time  
<1.0 s



Lumen Maintenance  
50,000Hours



Operating Temp.  
-20°C ~ +45°C

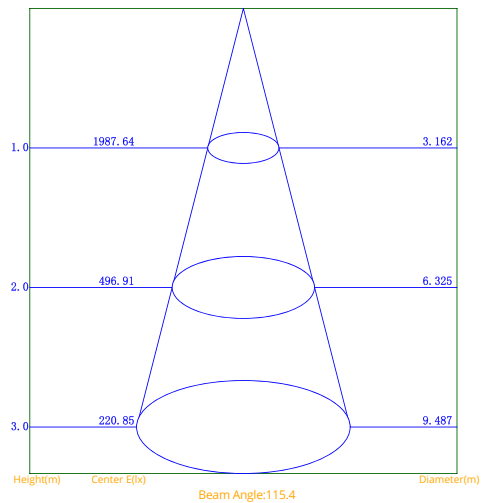
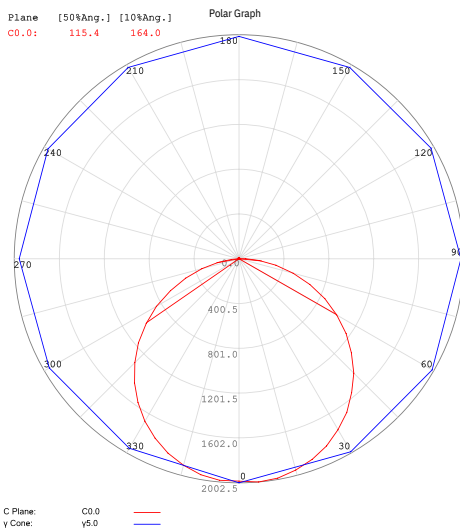
# LED Back-lit Panel Light



## Luminous Intensity Distribution Diagram

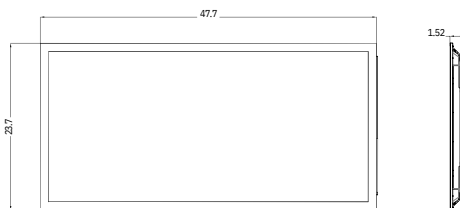
\*

2X4 Back-lit Panel Light 60W 5000K



## Dimension Diagram

\*



Item Number	L (inch)	W (inch)	H (inch)
1ft*4ft	47.7	11.9	1.52
2ft*2ft	23.7	23.7	1.52
2ft*4ft	47.7	23.7	1.52

# LED Back-lit Panel Light

## Package

\*

### Package Dimension

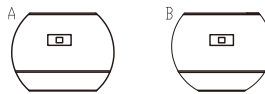
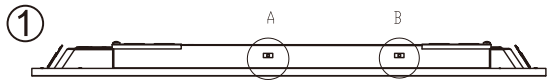
Size	Size of Carton LxWxH (mm/in)	Net Weight/Pcs	Gross Weight/Carton
1*4	1250x200x400/49.2"L x 7.87"W x15.75"H	1.91kg/4.21lbs	9.14kg/20.2lbs
2*2	640x200x700/25.2"L x 7.87"W x27.56"H	1.84kg/4.06lbs	8.71kg/19.2lbs
2*4	1250x200x700/49.2"L x 7.87"W x27.56"H	3.91kg/9.62lbs	17.83kg/39.3lbs



## Recessed Installation Steps:

1. As the following figure (1): In the view of the power and color temperature switches, please move the two switches to the desired power and color temperature before installation.
2. Turn the clip 90° counter clock wise to secure panel
3. Connect the driver to power source
4. Insert LED panel into T-bar face down, align the panel with edge of T-bar
5. Adjust the panel to right place
6. "Mounting Hook is for positioning only" or equivalent, in Format S24-L2

ALWAYS TURN OFF MAIN POWER BEFORE INSTALLATION

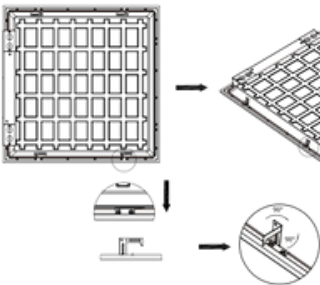


Wattage Selectable  
 2X2: Left: 20 W; Middle: 30 W; Right: 40 W  
 2X4: Left: 40 W; Middle: 50 W; Right: 60 W  
**PS:** The defaults switch setting is set to 30W(2X2) / 50W(2X4) on the fixture.

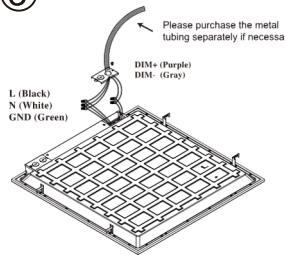
CCT Adjustable  
 Left-6500K; Middle-5000K;  
 Right-4000K  
**PS:** The defaults switch setting is set to 5000K on the fixture.

\*The dip switch is only used to CCT Tunable & Wattage adjustable version.

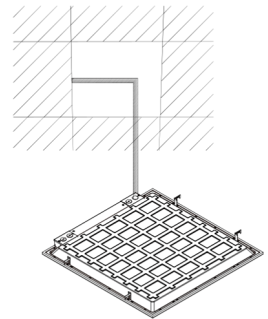
②



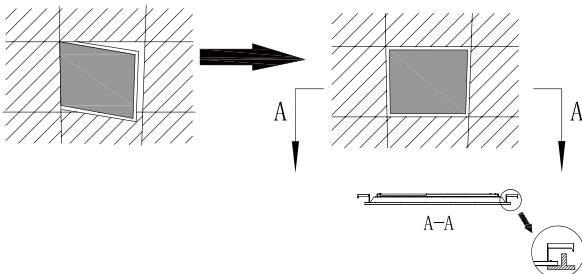
③



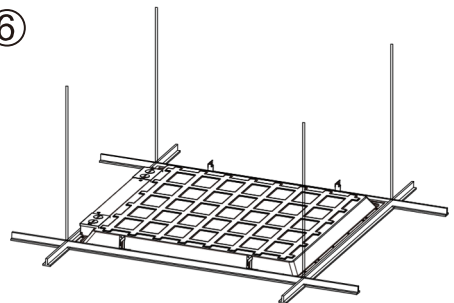
④



⑤



⑥



\*\*\*URGENT: READ PRIOR TO ATTEMPTING INSTALLATION\*\*\*