

Gravity-Flush Toilet



1. Key Benefits

- Powerful Flush

Pressure assist functionality delivers robust, commercial-grade flushing power.

- Premium user comfort

Full-size seat, large bowl with 18.8" seat height for home-like comfort.

- Easy installation

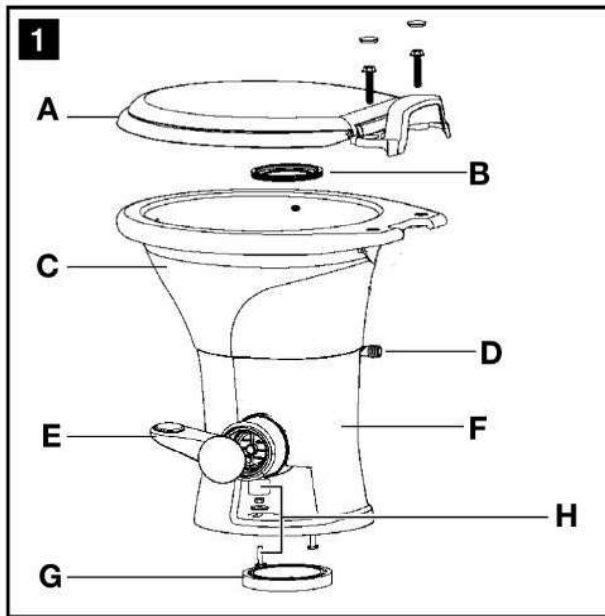
Two-bolt design fits most existing toilet floor flanges – great for new or replacement installations.

- Ergonomically enhanced pedal operation

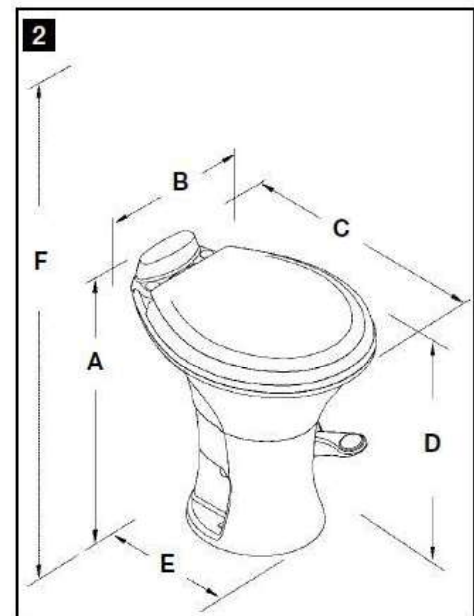
One-way, ergonomic foot pedal easy to use – press partially to add water; press fully to flush.

- Slow closed toilet seat is adopted for exceptional durability.

2. Parts Identification & Dimensions



Ref.	Description
A	Seat & lid
B	Flush ball seal
C	Toilet bowl
D	Water inlet
E	Flush pedal
F	Toilet base
G	Floor Flange
H	Floor mounting hardware kit



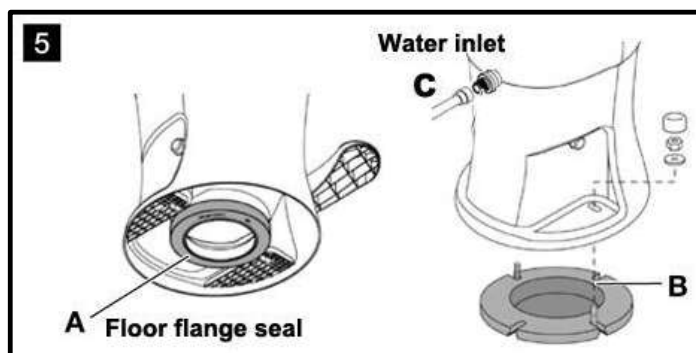
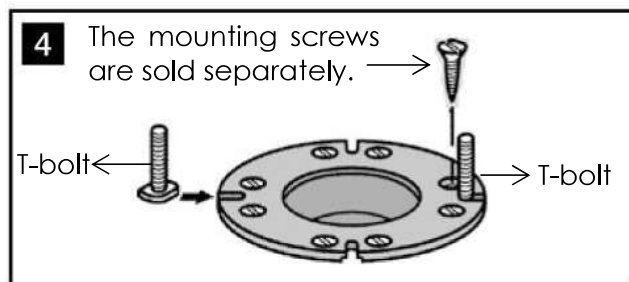
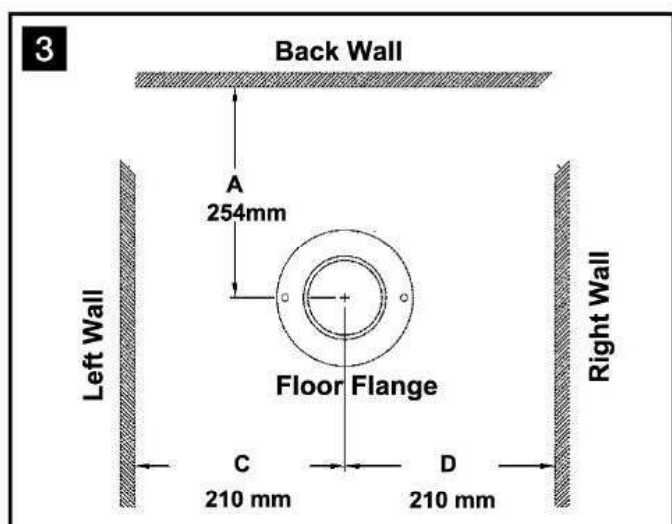
Ref.	Description
A	19.7"/500mm
B	15.4"/390mm
C	19.1"/485mm
D	18.8"/478mm
E	15.0/380mm
F	34.3"/870mm

3. Installation

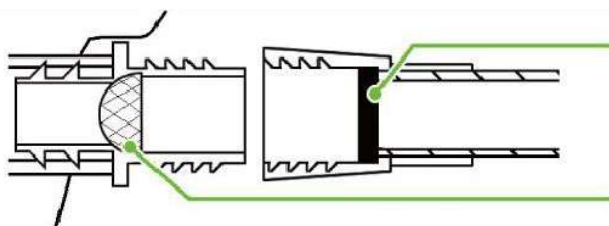
*Note: Be sure foot pedal, when pressed, touches same flat surface on which toilet is installed.

*Note: The outside diameter of the toilet drain outlet: 3.7"/95mm; inner diameter: 3.4"/87mm. Make sure the drain outlet for assembling the toilet is within 3.9"/100mm before installation.

1. To replace an older toilet, turn off water supply to toilet. Remove and drain water supply line. Remove toilet hold-down bolts/screws. Remove toilet from floor. Remove and discard old floor flange seal and hold-down bolts. Verify center of floor flange is at least 10"/254 mm from back wall (Fig. 3).
2. If installing a new floor flange, make certain that toilet mounting holes are located at the correct angle (Fig. 3). Floor flange must be secured to floor using silicon sealant, or with a minimum of four screws (8 is preferred, not included). Insert two supplied T-bolts into slots in floor flange (Fig. 4).
3. Verify that floor flange seal is installed on base of toilet (Fig. 5 A). Carefully set toilet over floor flange. Align holes in toilet base with T-bolts as toilet is lowered onto floor flange.
4. Install floor mounting nuts onto T-bolts. When tight, base should be securely attached and flat against floor. Attach bolt covers onto nuts. (Fig. 5 B).
5. Connect water supply line to water inlet and turn on water supply line. Flush toilet several times and check for leaks. (Fig. 5 C).



Installing the water supply valve



Water supply joint with seal ring (we do not provide)

Water inlet joint with filter (pre-assembled)

Use 1/2 inch pipe thread to connect the water supply fittings. The thread must be tightened enough to avoid damage to the toilet. The Static pressure: 0.20-0.40MPa

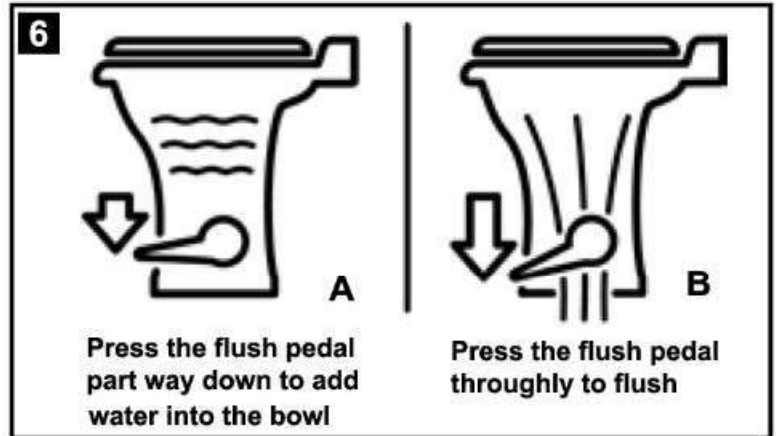
4. Operation

1. Add water to bowl

To add water to the toilet, press the flush pedal part way down. Water flows into the bowl while flush ball remains closed. If the flush ball moves, let up on the pedal slightly. Adding water to an empty bowl helps prevent holding tank odors from entering the living space. Adding water is recommended prior to flushing solids and toilet paper. (Fig. 6 A)

2. Flush toilet

To flush, press pedal down until it contacts the floor. Release pedal after complete flush. (Fig. 6 B)



- When flushing liquids, press the pedal for 1-2 seconds.
- When flushing solids, press pedal until contents are rinsed from bowl. Flushing longer than necessary will cause holding tank to fill too quickly.

A small amount of water will collect in the bowl after a flush to create an airtight seal.

5. Flush ball/seal cleaning

After a period of time, mineral deposits from hard water may build up on the flush ball or seal, resulting in a slow water leak. To prevent this, periodically clean the flush ball and seal.

1. Remove minor debris from the flush ball and seal by slowly pressing and releasing the flush pedal several times. This will loosen and rinse debris from the surfaces. Repeat several times for stubborn buildup (use a soft bristle brush if necessary)
2. Lubricate the flush ball and seal periodically with silicone spray or paste lubricant.
3. Use the common cleaning material to clean the toilet regularly. Cleaners have strong acids or bases are forbidden.

6. Winterization and storage

This toilet is not intended for use when exposed to temperatures below freezing. Before storing the toilet, you need drain water from the toilet according to the following procedures.

1. Turn off water supply to toilet.
2. Remove water supply line from water inlet.
3. Place a small container under water inlet to catch draining water.
4. Press flush pedal and allow water to completely drain from water inlet.
5. Leave water line disconnected until threat of freezing temperature is past.

7. Notice

Weight limit: 441lbs/200kg. Never sit on the toilet lid which is often lower in the weight capacity.