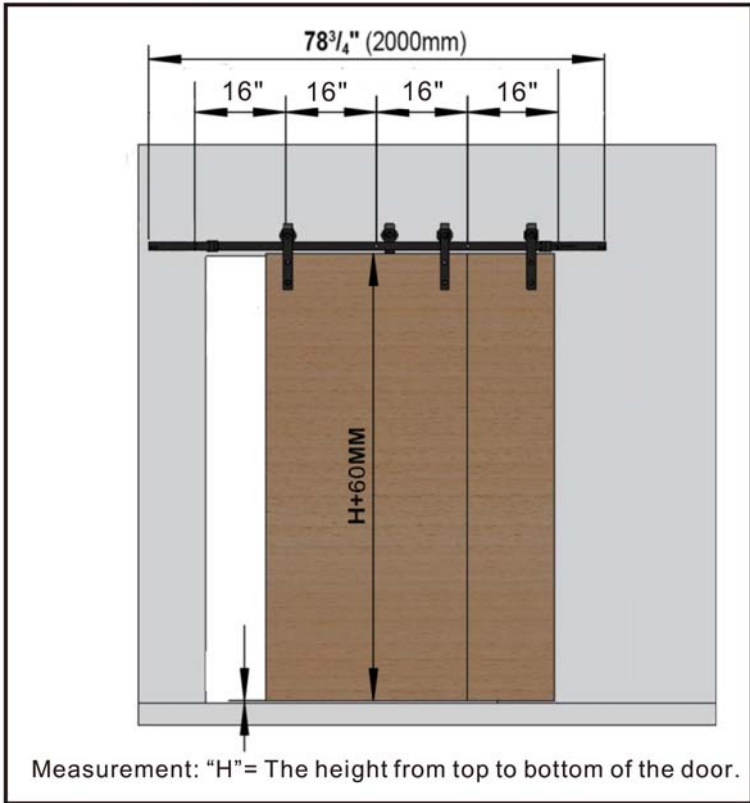
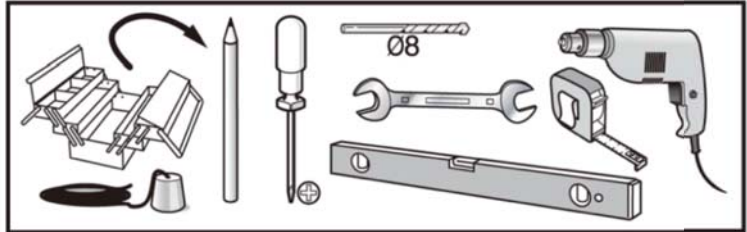


Installation Manual

General Layout

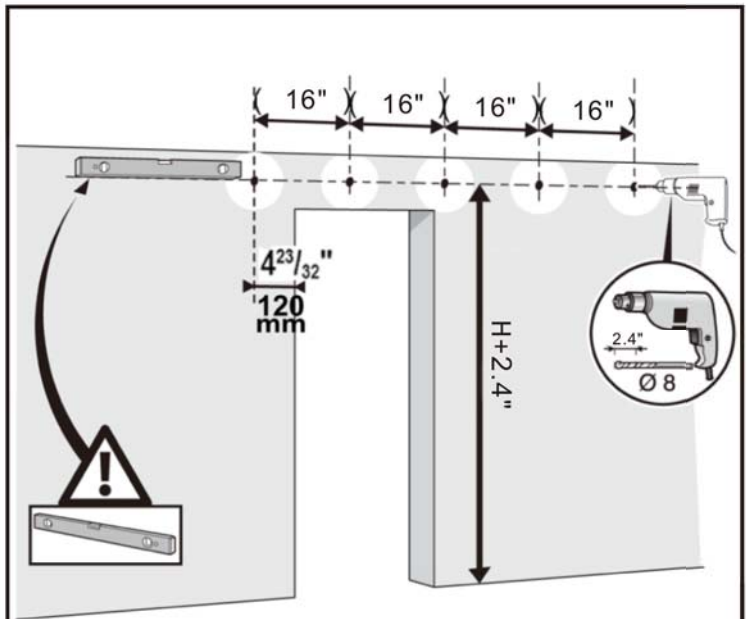


Tools for install

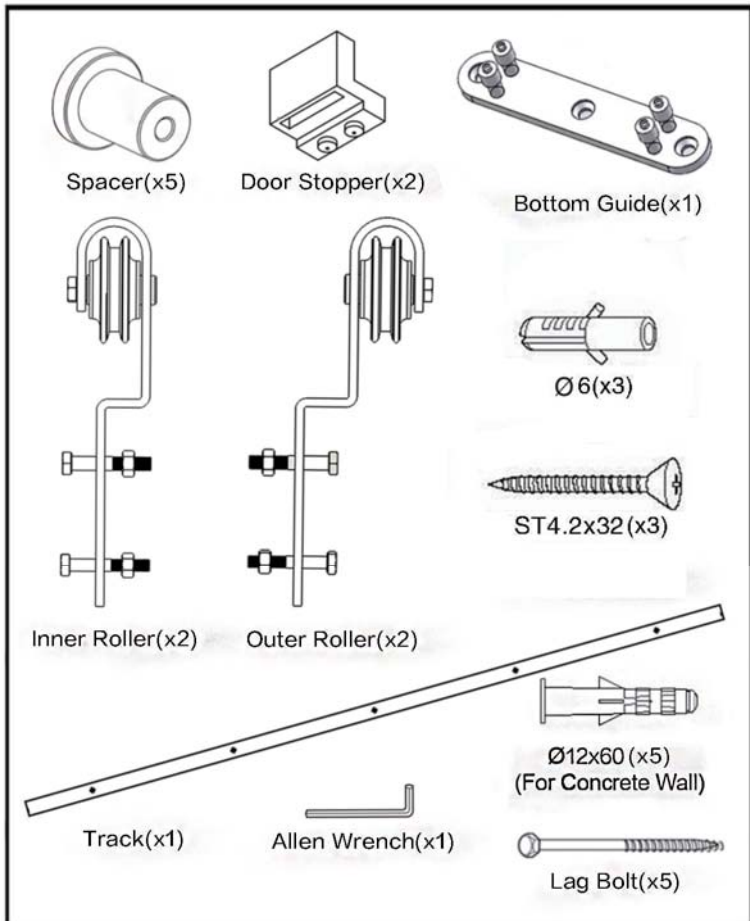


The width of door panel	37 ⁴ / ₈ " (950mm)
Door overlap portion	68 ¹ / ₂ " (174mm)
Door Thickness	13 ³ / ₄ " - 15 ³ / ₄ " 35-40mm

Illustration 1



Parts List



Set your Mounting Holes:

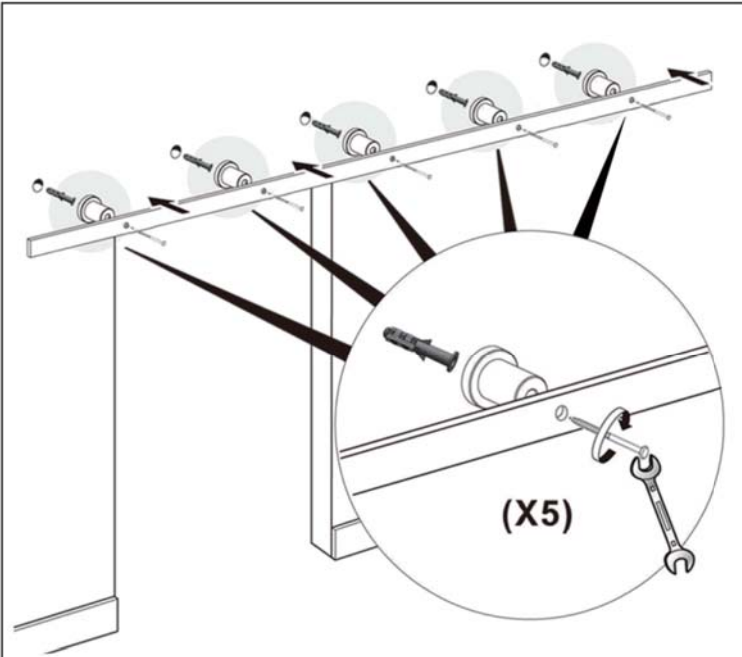
For Stud & Wood Header Mounting

You will be drilling 5 mounting holes. Use a tape measure to find the height, which is, H+2.4" (60mm) see Illustration 1.

Once you have that measurement, mark the location. Mark the center of the rail align in your door-frame edge, refer to illustration 1. From where those two marks intersect, make a mark every 16" horizontally for a total of five marks for five holes. Drill the holes 2.4" (60mm) deep. Use a level to make certain your measurement are correct on a straight horizontal line. This will ensure proper alignment of the two piece track. Then use a 5/16" (8mm) drill bit and drill you holes at your marks.

Installation Manual

Illustration 2



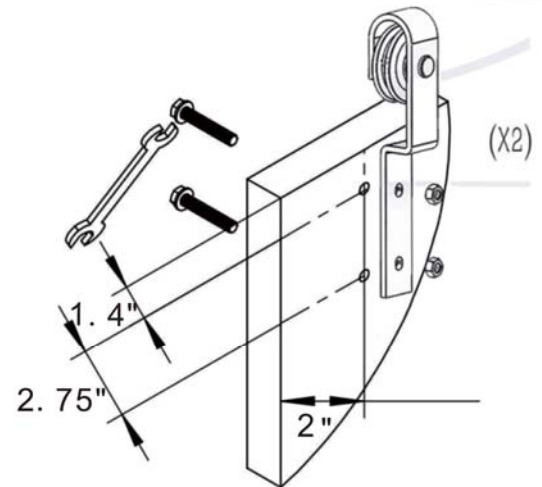
Installation of the Track:

See the above illustration #2. First install the stopper onto the track see illustration 8(will not be possible once track has been mounted). Start from the outer most holes and work your way towards the center. Make certain the two half circle holes align in the center and straight. Slide the spacer into the upper and lower groove onto the back of the track and align each hole for mounting. This will gap the track from the wall. You may have to tap the spacer with a small rubber mallet(to avoid damaging the finish to the spacer) to get them into place, as they may be snug.

Header Board and Stud Mounting of the Track:

See illustration 1 for pre-drilled hole sizes. Use the lag bolt screws described in the parts list. Place the lag bolt screws through the outside of the bar and then through the spacer through the spacer and into the pre-drilled holes. Tighten the screws accordingly. Follow this step for all five holes to mount the track.

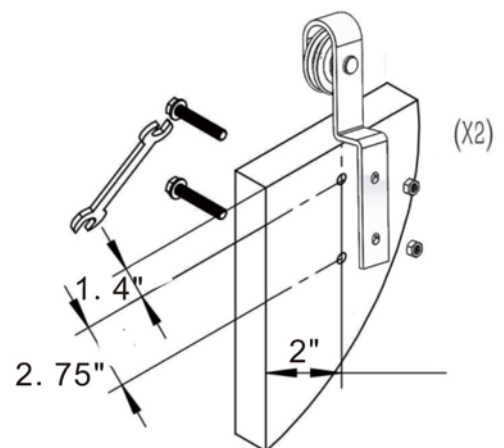
Illustration 3



Installation of the Inner Rollers (to the wooden door).

Drill two, 0.4" (10mm) holes through the wooden door. The top screw will be positioned 1.4" from the top of the door and 2" from the side of the door (left and right will be the same). The lower screw will be 2 3/4" below the UPPER SCREW and 2" from the side of the door (left and right will be the same). Turn the screw(clockwise) as shown in the diagram above. Assemble the rollers to the door as shown. Fasten the hardware to the door and tighten the nuts.

Illustration 4

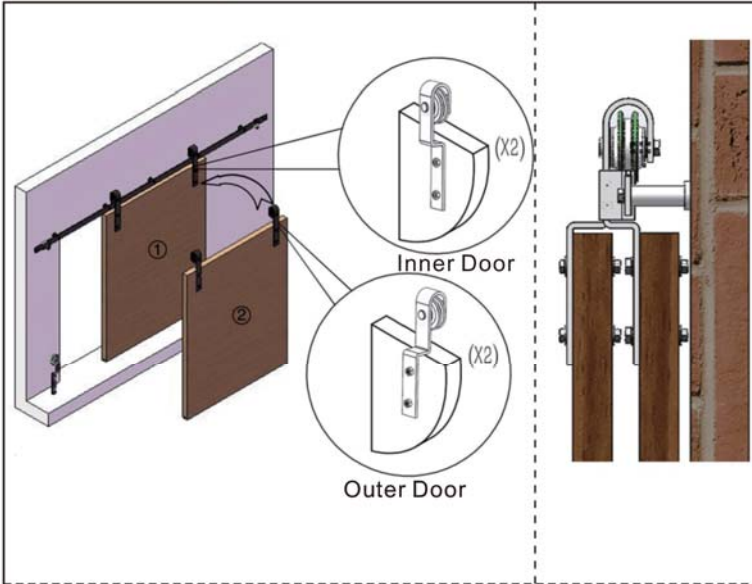


Installation of the Outer Rollers (to the second door).

Drill two, 0.4" (10mm) holes through the second wooden door. The top screw will be positioned 1.4" from the top of the door and 2" from the side of the door (left and right will be the same). The lower screw will be 2 3/4" below the UPPER SCREW and 2" from the side of the door (left and right will be the same). Turn the screw(clockwise) as shown in the diagram above. Assemble the rollers to the door as shown. Fasten the hardware to the door and tighten the nuts.

Installation Manual

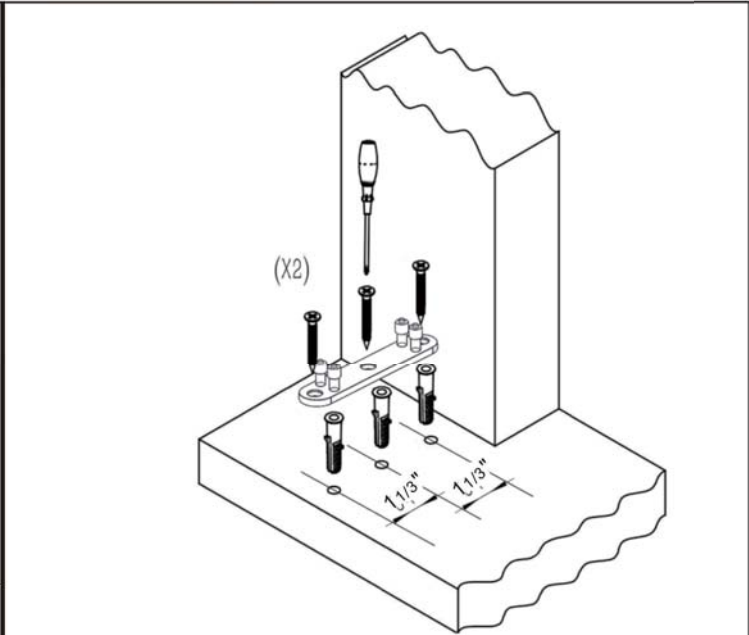
Illustration 5



Installation of the door:

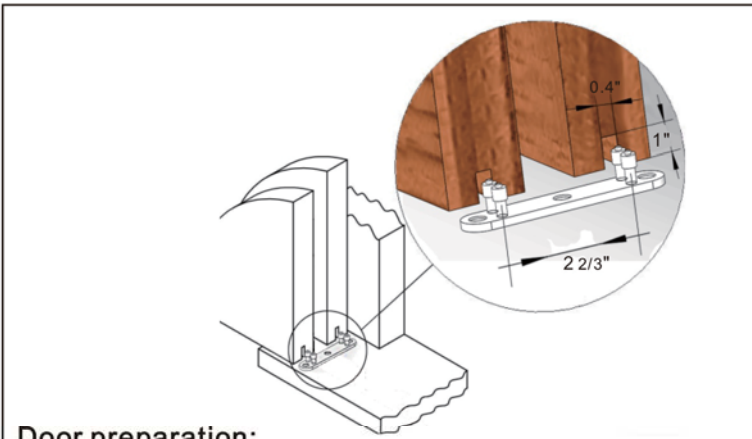
Once all the rollers have been installed on the doors you are ready to install the door onto track as shown in illustration 5. Place the roller on top of the track, make sure the inner door and outer door are in the correct position. The images above provide you with the schematic display of what the second door's and track's installation should look like, and the relative position of two doors after installation.

Illustration 6



Installation Instructions of the Bottom Guide: The wall should be parallel to the guide center. The center of the guide is approximately 1 1/3" from the wall. Use 10mm drill bit to drill the holes in each side of the boom guide 1.58" (40mm) deep. Place the anchors into the holes that have been drilled and then place the bottom guide in place. Mount the bottom guide. See the illustrated installation instructions above.

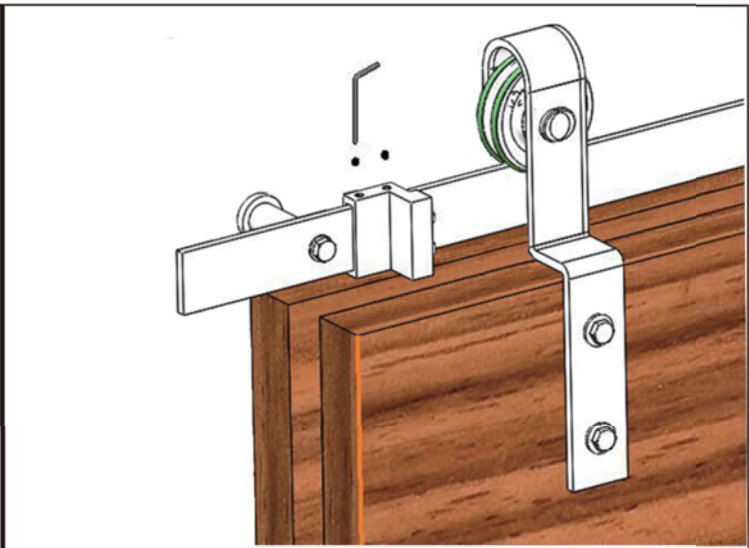
Illustration 7



Door preparation:

Mortise the groove of respective size (0.4" x 1") centrally to the bottom of the door for use with the floor-mounted door guide. This will ensure smoothness of door sliding side-to-side and will prevent the door from swinging in and out. If you prefer, you can also have your door mortised at the store you have purchased your door from (typically, for an additional charge). Contact your store for details.

Illustration 8



Stopper Installation: Move the door to confirm where you would like to limit the position the door can open to. Once you have the position marked then use the wrench to adjust built-in screw clockwise to tighten door stopper to the track.