

USER MANUAL

Electronic Cigar Humidor

*Please Read and Keep the Manual.



NO-23-TH3

MADE IN CHINA

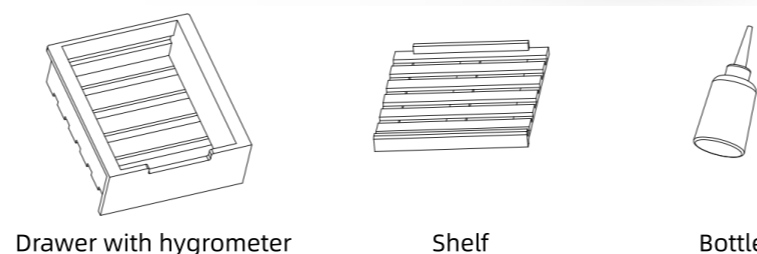
NEED ONE TO UPGRADE YOUR LIFE

Thank You for Choosing Our Electronic Cigar Humidor
Please make sure your items are in good condition and then confirm receipt.
If you have any questions or problems, please feel free to contact us for assistance.

CONTENTS

- KNOW YOUR CIGAR CABINET 01
- IMPORTANT SAFETY INSTRUCTIONS 02
- SPECIFICATIONS 05
- Electric Diagram 06
- BEFORE FIRST USE 07
- CLEANING & MAINTENANCE 08
- CIGAR STORAGE GUIDANCE 08
- TROUBLESHOOTING 09
- WARRANTY POLICY 10
- DISCLAIMER OF WARRANTY 11
- FCC CAUTION 11

KNOW YOUR CIGAR CABINET



Packing List

Model NO	NO-23-TH3
Electronic cigar cabinet	1
Shelf	2
Drawer with hygrometer	1
Bottle	1

IMPORTANT SAFETY INSTRUCTIONS

Please read all Danger instructions and warnings in the user manual before using this equipment.

Danger

- 1 Do not touch the power supply with wet hands.
- 2 If there is damage to the plug, power cord or product, please stop using the cigar cabinet. If the SUPPLY CORD is damaged, it must be replaced by the manufacturer, its service agent or similarly qualified persons in order to avoid a hazard.
- 3 For your safety, the cigar cabinet should be properly grounded and to reduce the possibility of electric shock, the unit is equipped with a Type B plug. Never remove the ground wire from the plug.
- 4 Before connecting the power supply, check that the voltage indicated on the appliance corresponds to the local mains voltage.
- 5 Do not connect this device to an external timer switch or to a separate remote control system to avoid dangerous situations.

BATTERY WARNING: KEEP OUT OF REACH OF CHILDREN
If you think batteries might have been swallowed or placed inside any part of the body, seek immediate medical attention.
Children should be supervised to ensure that they do not play with the appliance.

6 WARNING: Risk of child entrapment. Before you throw away your old refrigerator or freezer:
* Take off the doors.
* Leave the shelves in place so that children may not easily climb inside.

7 Do not use flammable liquids to clean electrical components, as they may cause fire or explosion. Do not store or use gasoline or any other appliances near any other flammable gases and liquids.

Warning

This appliance is not intended for use by persons (including children) with reduced physical, sensory or mental capabilities, or lack of experience and knowledge, unless they have been given supervision or instruction concerning use of the appliance by a person responsible for their safety.

- 1 It is recommended that cigar cabinets be placed away from heat sources (ovens, gas stoves, etc.)
- 2 Please don't use the cigar cabinets outdoors.
- 3 Do not fill your cigar cabinet to the brim, leave room for air to circulate inside your cigar cabinet.
- 4 Do not use for purposes other than preserving cigars. Do not store perishable food in the cigar cooler, as the internal temperature will not be low enough to prevent spoilage.
- 5 If the cigar cabinet is broken, please contact customer service to determine the repair item and resuse the relevant parts.
- 6 It is recommended to clean the fan and dust trap every 3 months to ensure better cooling effect.
- 7 Do not place the product against a wall or other furniture or appliances. Leave at least 4 inches of space on the back, right side and above the product.
- 8 Avoid direct sunlight on the cigar cabinet. This appliance is for household use only. Any other use will void the warranty.

SPECIFICATIONS

Model NO	NO-23-TH3
Rated Voltage	AC 110V-120V/60HZ
Power Consumption	90W
Storage Capacity	150 Cigars
Temperature Range	61-72°F 16-21°C

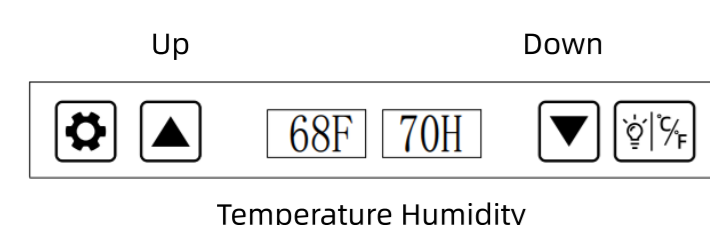
TEMPERATURE CONTROL

It is recommended that you install the Cigar Humidor in a place where the ambient temperature is between 25°C(77°F). If the ambient temperature is above or below recommended ranges, the performance of the unit may be affected, and extreme cold or hot conditions may cause the interior temperature to fluctuate. This will prevent the optimal range from being reached. In addition, keep in mind that the temperature may fluctuate depending on whether the interior light is on or off.

Temperature and Humidity Ranges For Your Cigar Humidor

Temperature and Humidity Range	16-21°C	61-72°F	65%-75%
--------------------------------	---------	---------	---------

CONTROL PANEL



TEMPERATURE AND HUMIDITY ADJUSTMENT METHOD

1. Press " " to select set temperature and humidity
2. Press the "▲" button to increase or the "▼" button to decrease the temperature and humidity.
3. Press and hold the button " " for about 3 seconds to switch the temperature display unit between Fahrenheit and Celsius

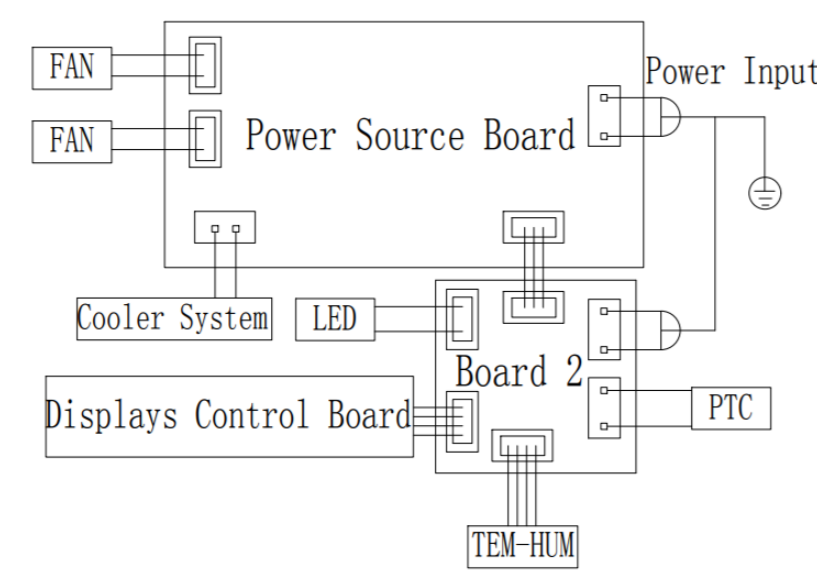
Interior Light

1. You can turn the interior light ON or OFF by a lightly press on the " " button.
2. You need to be in the unlocked state to control the cabinet lights.

Dual-Function

Provides with both heating and cooling functions, maintaining a stable temperature and humidity level between 16-21°C(61-72°F) and 65-75%, respectively. This feature ensures your collection stays in optimal conditions in any weather.

ELECTRIC DIAGRAM



BEFORE FIRST USE

INSTRUCTION

- Position your cigar humidor so that the plug is accessible.
- Keep your cigar humidor out of direct sunlight.
- Do not place next to heat generating appliances.
- Place the cigar humidor on a leveled surface that is strong enough to support the unit when it is fully loaded. To your cigar humidor, adjust the front feet located at the bottom of the unit.
- Position the machine in a dry and airy place with ambient temperature around 25°C (77°F).

- Before connecting the unit to a power source, allow it stand upright for approximately 2 hours. This will reduce the possibility of any system malfunctions which may have occurred from handling during transportation.
- When positioning the cigar humidor, 6 inches of space at the back and 10 inches of space both sides are suggested. Do not put any objects on top of the unit which may block the air circulation

Power Connection

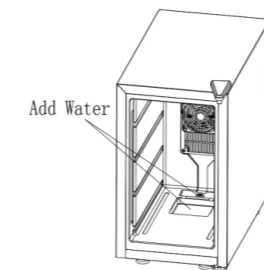
- This cigar humidor should be properly grounded for your safety and in order to minimize the possibility of electrical shock the power cord of this unit is equipped with a 2-pin plug / 3-pin plug which fits with 2-pin/3-pin wall outlets.
- Never cut or remove the ground wire from the supplied power cord.
- The use of extension cords is not recommended.
- This unit requires a standard 110-120V 60Hz electrical outlet with a 2-pin/3-pin plug.
- The cord should be secured behind the cigar humidor. Also, to prevent accidental injury, do not expose or dangle the cord

VENTILATION

- Do not install the cigar humidor in a closed cabinet without proper ventilation.
- Please leave at least 6 inches distance between the wall and the cigar humidor.
- Do not remove the feet of the cigar humidor. Keep at least 2 inches of ground clearance.

Add Water

- When using the machine for the first time, it is necessary to add an appropriate amount of water to the water storage box. In the future use, the machine will maintain the internal humidity through the internal water circulation, and there is no need to add water repeatedly.



CLEANING & MAINTENANCE

Cleaning steps:

1. Unplug the cigar cabinet from the power supply and remove the contents and shelves stored inside
2. Clean the inside of the unit with a solution consisting of warm water and baking soda solution (2 tablespoons of baking soda to 1 quart of water).
3. To clean the exterior of the unit, use mild detergent and warm water.

Note:

Please clean the dust separator at intervals of 3 months.

Notes on moving cigar cabinets:

1. Remove everything stored in the machine and secure any loose parts with tape.
2. Adjust the flattening feet to the base to avoid damage.
3. Make sure the cooler is in an upright position when moving.

CIGAR STORAGE GUIDANCE

1. The ideal temperature for storing cigars is between 61-72°F Humidity (RH) are 65-75% RH.
2. It is recommended to keep the cigars in their original boxes and packaging for as long as possible. Keep unpackaged cigars separately in a cooler to avoid unwanted flavor mixing.
3. Check cigars regularly for signs of tobacco beetles and mold, and take precautions if necessary.
4. Stored in the proper manner, cigars can be stored for 5-10 years, and even longer under ideal conditions.

TROUBLESHOOTING

Problem	Possible Causes	Solution
The cooler does not work.	The cooler power is not plugged in. The fuse of cooler has blown.	Check whether the power supply is properly connected. Make sure the power is disconnected and contact a professional to repair it. The cooler should be placed in a well-ventilated area of the house and away from direct sunlight.
The cooler is not cold enough.	The door may be opened too frequently. The door is not closed completely. The door seal is out of place.	Reduce the time and frequency of opening doors. Make sure the door is properly closed after you pick up the cigar each time. Check the door seal and try to adjust it to the correct position.
The cooler vibrates while operating.	There's not enough room for heat dissipation.	Make sure there is at least 2 inches from each side and 4 inches at the back and above the cooler.
Noise from the cooler.	The cooler is not placed in stable. Noise from the cooling fan.	Adjust and fix the four feet of the device. Check the cooling fan to ensure that there is no debris and looseness.
The light does not work.	There may be a problem with the display board.	Contact the Customer Service.



Please scan the QR code on the left to view our guide video to assist in solving the problem, if the above list fails to solve your problem. If the problem still cannot be solved, please contact us and our customer service to provide you with other solutions.

Our team is committed to providing quality products. However, after a long logistic transportation, we cannot ensure that the products are free from abnormalities such as looseness. Therefore, please check whether the package is intact and whether the product parts are damaged or missing at the first time after you receive it.
If there are any problems, please reject the package or contact our customer service, we will assist you in making a claim to the logistics provider.

For more questions or help needed, please contact our online service to get the fastest reply and best solution, thank you and good luck for all :)

WARRANTY POLICY

This humidor is covered by the manufacturer's limited warranty. For a period of 12 months from the date of purchase, if any part of this product is found to be defective due to material or workmanship, it will be repaired at the manufacturer's discretion and at no cost to the original purchaser, except that shipping costs will be paid by the original purchaser.

The manufacturer does not offer an extended warranty option at this time, but if you experience a problem with the product after the 2nd year of purchase, try contacting us and we will contact the manufacturer for you and do our best to provide you with a solution based on the condition of the product.

DISCLAIMER OF WARRANTY

The warranty is not available if the damage is caused by:
1. Cigar cooler is artificially damaged during use. Improper power supply, such as too low or too high voltage, faulty household wiring or insufficient fuses.
2. Accidents, modifications, misuse or abuse of apparatus, such as the use of unapproved accessories, inadequate room air circulation or abnormal operating conditions (extreme temperatures).
3. For commercial or industrial applications fire, flood, theft, war, riot, hostile or natural disasters such as hurricanes, floods, etc.
4. Violent use or damage due to external influences.
5. Partial or total disassembly of the cigar cabinet section.
6. Excessive wear and tear by the user.
For more questions or help needed, please contact our online service to get the fastest reply and best solution, thank you and good luck for all :)

FCC CAUTION:

Note: This equipment has been tested and found to comply with the limits for a Class B digital device, pursuant to part 15 of the FCC Rules. These limits are designed to provide reasonable protection against harmful interference in a residential installation. This equipment generates, uses and can radiate radio frequency energy and, if not installed and used in accordance with the instructions may cause harmful interference to radio communications. However, there is no guarantee that interference will not occur in a particular installation. If this equipment does cause harmful interference to radio or television reception, which can be determined by turning the equipment off and on, the user is encouraged to try to correct the interference by one or more of the following measures:

- Reorient or relocate the receiving antenna.
 - Increase the separation between the equipment and receiver.
 - Connect the equipment into an outlet on a circuit different from that to which the receiver is connected.
 - Consult the dealer or an experienced radio/TV technician for help.
- Operation is subject to the following three conditions:
(1) This device may not cause harmful interference, and
(2) This device must accept any interference received, including interference that may cause undesired operation.