



# Shut The Box

## INSTRUCTION MANUAL



PLEASE KEEP THIS INSTRUCTION MANUAL FOR FUTURE REFERENCE

If you have any concerns with your product please visit our website [victorytailgate.com](http://victorytailgate.com) for fastest service. Please have a copy of your receipt of purchase. For any technical support or warranty issues please contact Victory Tailgate at 1-888-577-4460 or email us at [info@victorytailgate.com](mailto:info@victorytailgate.com)

# Limited 90-Day Victory Tailgate Warranty

All Victory Tailgate games have a limited 90-day from date of purchase warranty. This warrants the retail purchaser for any Victory Tailgate game purchased to be free from any defect in materials and construction for 90 days from the date of purchase. The only exceptions to the warranty include main frames, tabletops, playing surfaces, batteries or tools. Damaged main frames, tabletops, playing surfaces need to be returned to the store as we are unable to replace these parts. Normal play wear and usage is not covered under the warranty, nor is wear or damage due to improper use of the Victory Tailgate game. This will void any and all Victory Tailgate warranties.

A PURCHASE RECEIPT (or other proof of purchase date) will be required before any warranty service is initiated. All requests for warranty service can be submitted by email, in writing or by contacting our Customer Service Department at: 1-888-577-4460 or email us at [info@victorytailgate.com](mailto:info@victorytailgate.com)

**IMPORTANT NOTICE!** Please contact us before returning the product to the store.

## Warnings



Not for used by children without adult supervision. This is not a child's toy. Adult supervision is required for children playing this game. Please read instructions carefully.



Be sure to check out all the exciting games Victory Tailgate has to offer. Visit our website at:

[ESCALADESPORTS.COM](http://ESCALADESPORTS.COM)

[VICTORYTAILGATE.COM](http://VICTORYTAILGATE.COM)



Bag Toss

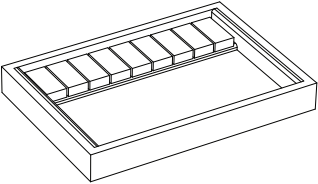
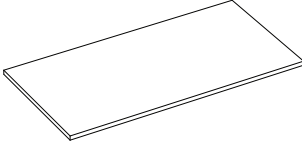



Indoor Games



Outdoor Games

# Parts List

<p><b>#1</b></p>  <p>Frame 1 PCS</p>	<p><b>#2</b></p>  <p>Cotton 1 PCS</p>
<p><b>#3</b></p>  <p>Dice 2 PCS</p>	

To order replacement parts please call our customer service department.



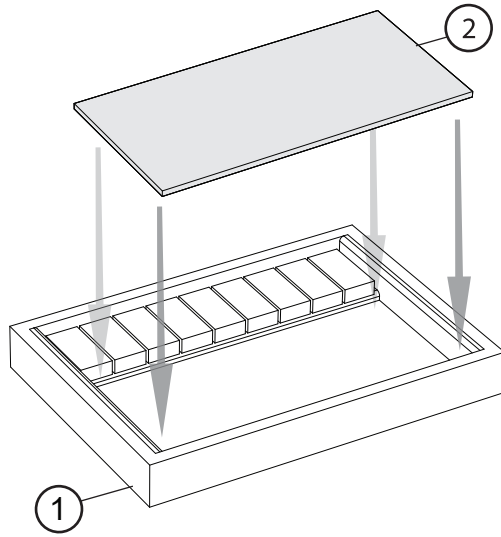
VICTORYTAILGATE.COM | 1-888-577-4460  
INFO@VICTORYTAILGATE.COM  
©2020 VICTORY TAILGATE, LLC.  
ALL RIGHTS RESERVED.

**NOTE:**

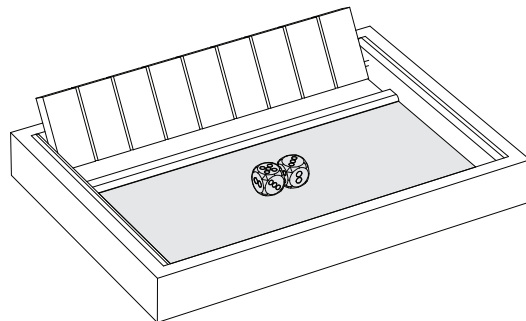
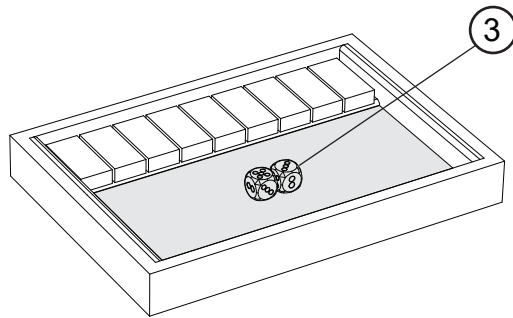
When calling customer service please have the model number available. This number is printed on the upper right hand of the cover page of the manual.

# Assembly Instructions

STEP 1



STEP 2



# Playing Instructions

## ***How To Play:***

Shut the Box can be played with single or multiple players, however it's best enjoyed with 2-4 players. Start with all the tiles up (with numbers visible). Roll the dice inside the box. The player who rolled can flip the tiles which add up to the rolled number. For example, if the player rolls 6, the player can choose from one of the following set of tiles provided all the numbers of the set are visible and not previously covered 6, 5+1, 4+2, 1+2+3. If a tile is flipped over, it remains flipped for the duration of the game. A player can flip multiple tiles in one go as long as the numbers add up to the dice rolled. The players continue playing until no more tiles can be flipped. Then it is the next player's turn. The first player's score is determined by the sum of the numbers on the un-flipped tiles. The winner is the player who flipped over all the tiles (called Shut the Box), or the player who has the lowest score.

## ***Other Ways To Play:***

1. Each competing player takes on opposing roles. One tries to shut the box by closing the tiles. The other tries to open the box by opening multiple tiles.
2. Play with 2 dice.
3. Highest score wins - the one who reaches a target score first, is the winner. Scores are determined by adding up the closed tiles.