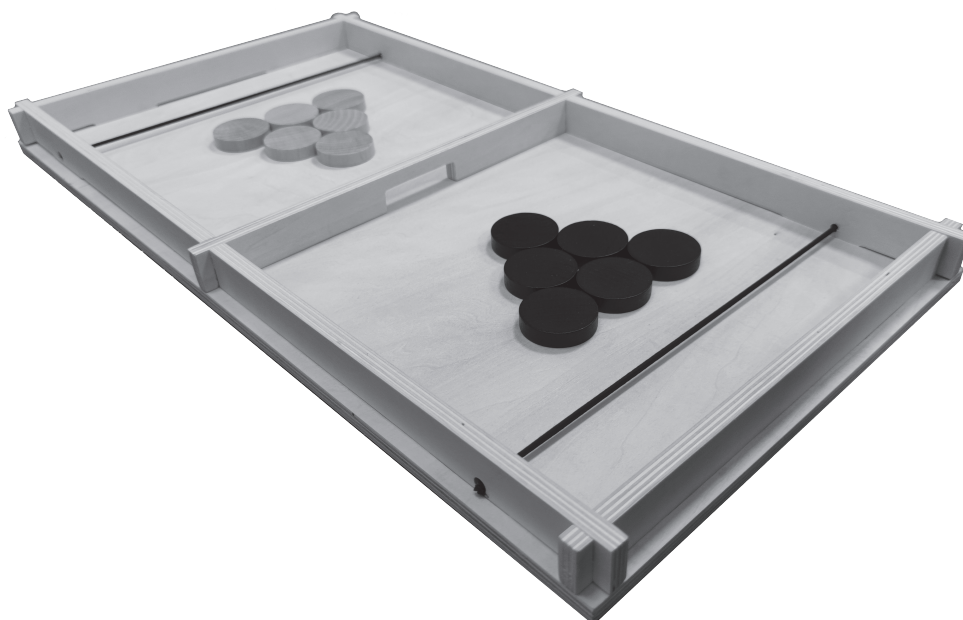




Fastrack

INSTRUCTION MANUAL



PLEASE KEEP THIS INSTRUCTION MANUAL FOR FUTURE REFERENCE

If you have any concerns with your product please visit our website victorytailgate.com for fastest service. Please have a copy of your receipt of purchase. For any technical support or warranty issues please contact Victory Tailgate at 1-888-577-4460 or email us at info@victorytailgate.com

Limited 90-Day Victory Tailgate Warranty

All Victory Tailgate games have a limited 90-day from date of purchase warranty. This warrants the retail purchaser for any Victory Tailgate game purchased to be free from any defect in materials and construction for 90 days from the date of purchase. The only exceptions to the warranty include main frames, tabletops, playing surfaces, batteries or tools. Damaged main frames, tabletops, playing surfaces need to be returned to the store as we are unable to replace these parts. Normal play wear and usage is not covered under the warranty, nor is wear or damage due to improper use of the Victory Tailgate game. This will void any and all Victory Tailgate warranties.

A PURCHASE RECEIPT (or other proof of purchase date) will be required before any warranty service is initiated. All requests for warranty service can be submitted by email, in writing or by contacting our Customer Service Department at: 1-888-577-4460 or email us at info@victorytailgate.com

IMPORTANT NOTICE! Please contact us before returning the product to the store.

Warnings



Not for used by children without adult supervision. This is not a child's toy. Adult supervision is required for children playing this game. Please read instructions carefully.



Be sure to check out all the exciting games Victory Tailgate has to offer. Visit our website at:

ESCALADESPORTS.COM

VICTORYTAILGATE.COM



Bag Toss



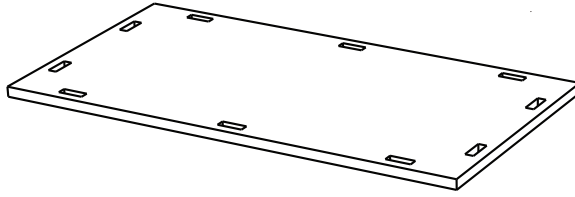
Indoor Games



Outdoor Games

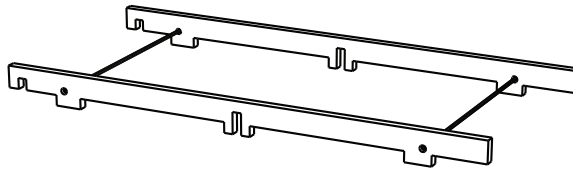
Parts List

#1



Playing board
1 PCS

#2



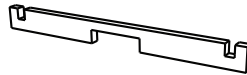
End Apron
1 PCS

#3



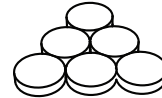
Side Apron
2 PCS

#4



Middle Apron
1 PCS

#5



Chips
12 PCS

To order replacement parts please call our customer service department.



VICTORYTAILGATE.COM | 1-888-577-4460

INFO@VICTORYTAILGATE.COM

©2020 VICTORY TAILGATE, LLC.

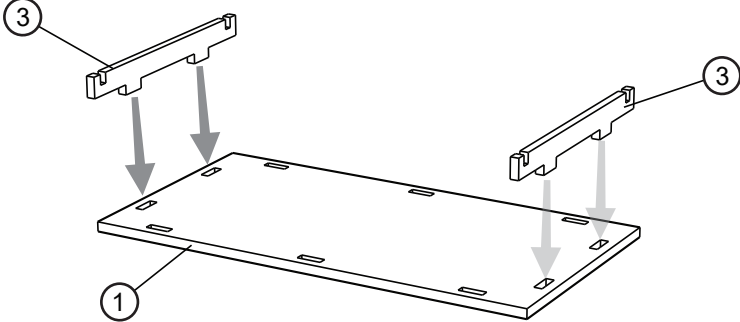
ALL RIGHTS RESERVED.

NOTE:

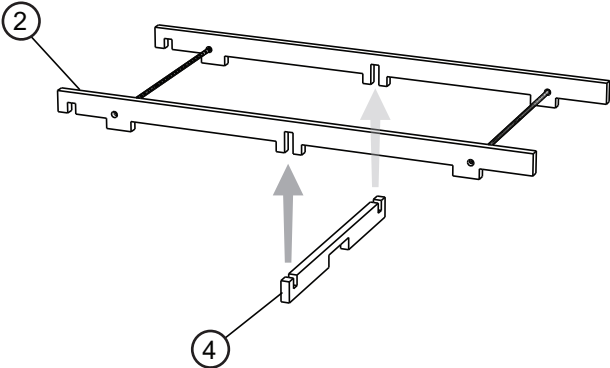
When calling customer service please have the model number available. This number is printed on the upper right hand of the cover page of the manual.

Assembly

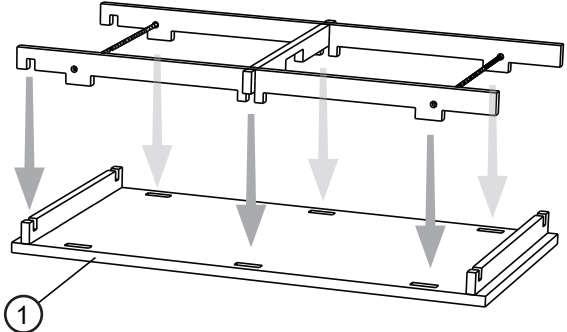
STEP 1



STEP 2



STEP 3



Playing Instructions

How to play:

This game is played between 2 players. The two players, each start with six pucks on their side. Once players decide that the game has begun, they must frantically flick their pieces through the opening at the board's center using the pulley band at the end of the board (Players do NOT take turns). Send your pieces skidding through the gate as quickly as you can, and act fast to bounce any of your opponent's pieces that slip through to your side back to theirs. The first player to clear their side of the board wins the round. Typically the game is played and a winner is crowned after 3 rounds. Feel free to get creative, and play as many rounds as you like!