



Battle Hook & Ring

INSTRUCTION MANUAL



PLEASE KEEP THIS INSTRUCTION MANUAL FOR FUTURE REFERENCE

If you have any concerns with your product please visit our website victorytailgate.com for fastest service. Please have a copy of your receipt of purchase. For any technical support or warranty issues please contact Victory Tailgate at 1-888-577-4460 or email us at info@victorytailgate.com

Limited 90-Day Victory Tailgate Warranty

All Victory Tailgate games have a limited 90-day from date of purchase warranty. This warrants the retail purchaser for any Victory Tailgate game purchased to be free from any defect in materials and construction for 90 days from the date of purchase. The only exceptions to the warranty include main frames, tabletops, playing surfaces, batteries or tools. Damaged main frames, tabletops, playing surfaces need to be returned to the store as we are unable to replace these parts. Normal play wear and usage is not covered under the warranty, nor is wear or damage due to improper use of the Victory Tailgate game. This will void any and all Victory Tailgate warranties.

A PURCHASE RECEIPT (or other proof of purchase date) will be required before any warranty service is initiated. All requests for warranty service can be submitted by email, in writing or by contacting our Customer Service Department at: 1-888-577-4460 or email us at info@victorytailgate.com

IMPORTANT NOTICE! Please contact us before returning the product to the store.

Warnings



Not for used by children without adult supervision. This is not a child's toy. Adult supervision is required for children playing this game. Please read instructions carefully.



Be sure to check out all the exciting games Victory Tailgate has to offer. Visit our website at:

ESCALADESPORTS.COM

VICTORYTAILGATE.COM



Bag Toss

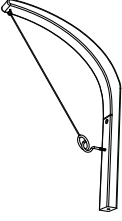
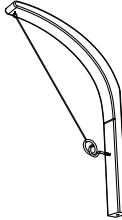
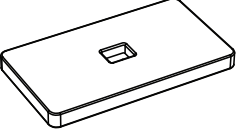
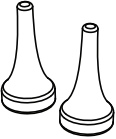

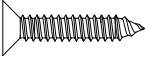


Indoor Games



Outdoor Games

Parts List

<p>#1</p>  <p>Support Frame A 1 PC</p>	<p>#2</p>  <p>Support Frame B 1 PC</p>	<p>#3</p>  <p>Baseboard 1 PC</p>
<p>#4</p>  <p>Scorekeeper 2 PCS</p>	<p>#5</p>  <p>Self-tapping screw A 1 PCS</p>	<p>#6</p>  <p>Self-tapping screw B 2 PCS</p>

To order replacement parts please call our customer service department.



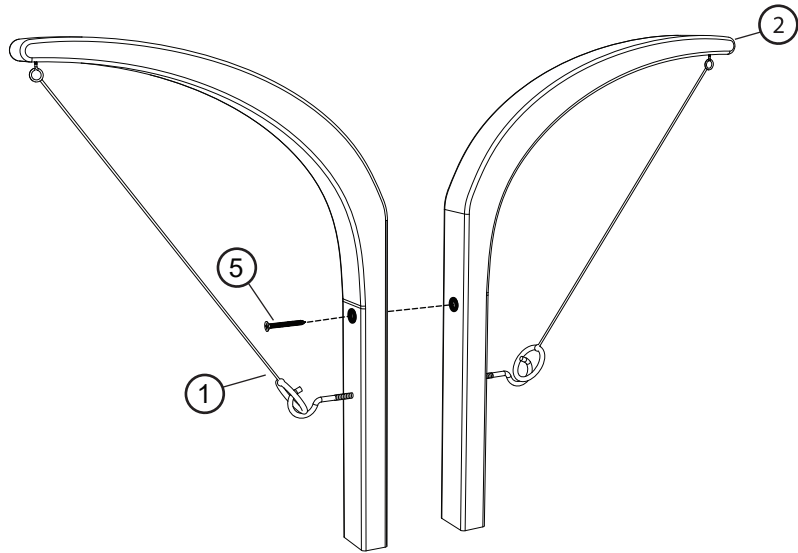
VICTORYTAILGATE.COM | 1-888-577-4460
INFO@VICTORYTAILGATE.COM
©2020 VICTORY TAILGATE, LLC.
ALL RIGHTS RESERVED.

NOTE:

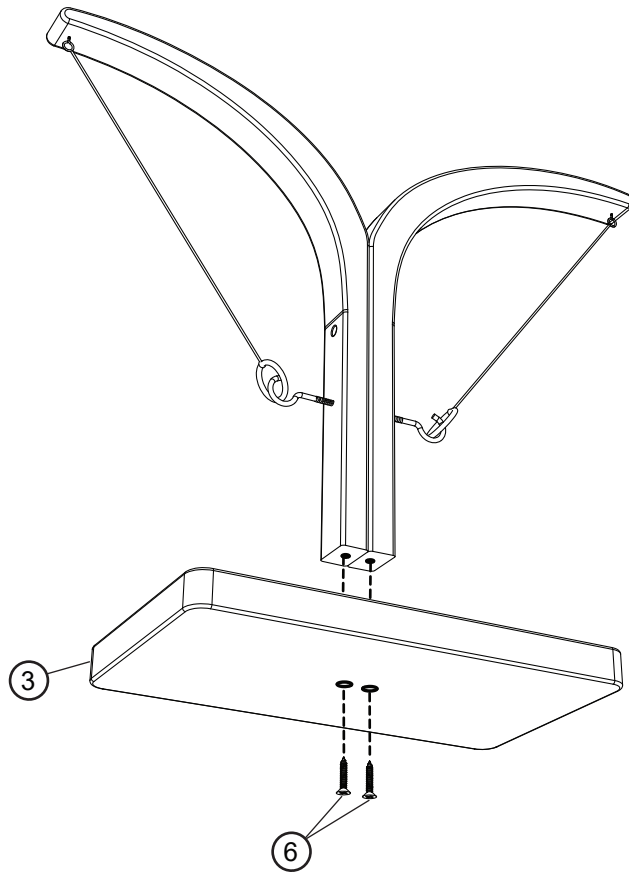
When calling customer service please have the model number available. This number is printed on the upper right hand of the cover page of the manual.

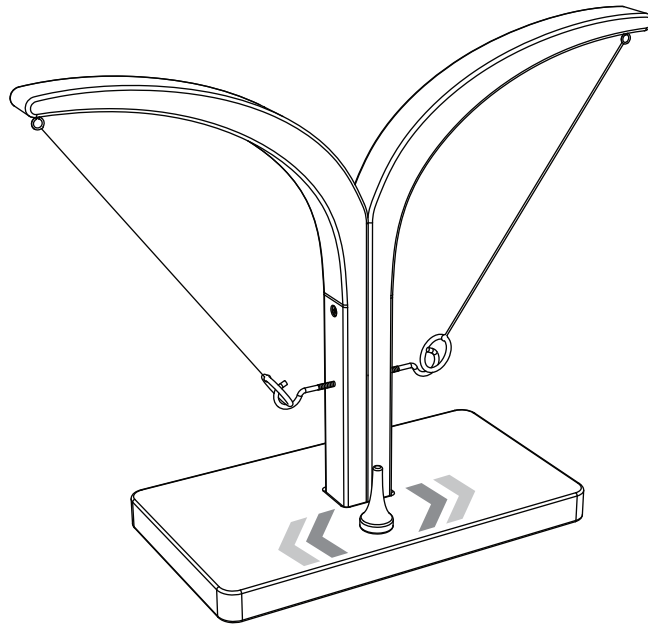
Assembly

STEP 1



STEP 2





Game Rules

How To Play

- Place one scorekeeper piece on the center (middle) dot on the baseboard as starting position.
- Both players start trying to hook the metal ring at the same time.
- The scorekeeper piece moves back-and-forth on the 5 dots on the baseboard until it moves off the baseboard.
- If the scorekeeper piece moves off the baseboard on your side, you lose that round, and the game starts over. Gameplay can continue or can be decided with one round.