

ecto[®]

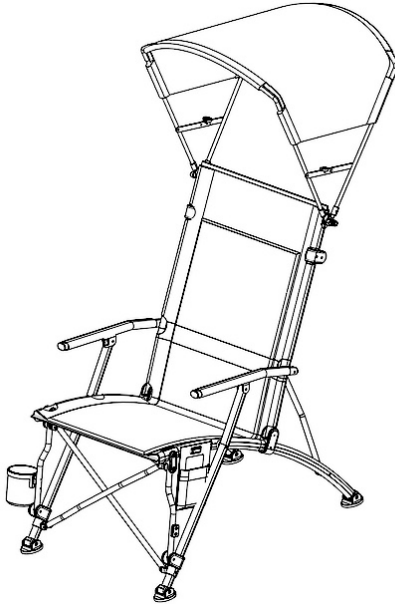
don't compromise.

ecto[™] Cooling Chair System

Model: ELCC

(Patent Pending)

Operating Manual



Household use only. Suitable for outdoor use.

Arctica[™] Cooling Technology v1.1

Table of Contents

Specifications	3
Components	4
Chair Operation:	
Set Up	4-5
Optional Canopy	5-6
Take Down	7
Ice Retention & Condensation	8
Cleaning & Maintenance	9
Precautions & Safety	9
Trouble Shooting	10
Limited Warranty	11

Chair Specifications

ECTO™ Chair

Size Open: 22" x 33" x 39"

Size Folded: 8" x 10" x 46"

Seat Material: 600D Heavy Duty Polyester – Light and Dark Gray

Frame Material: Powder Coated Alloy Steel

Weight Capacity: 300 lbs

Chair Weight (excludes bag): @17.5 lbs

Features: auto adjust feet, cupholder (can mount on either side)

Chair Bag included

Chair Cooling System

Thermal Tubing Length: @54 feet

Thermal Tubing Features: kink and crush resistant, mildew resistant

Temperature Settings: 3

Runtime: H 10 hours, M 20 hours, and L 38 hours

Insulated Trunk with built in cleanable water filter

Optional Battery

Capacity/Voltage: 5000 mAh 5V DC 2A+

Output: standard USB

Input: USB C and USB micro (via adapter)

Charging Cable: included (USB to USB C)

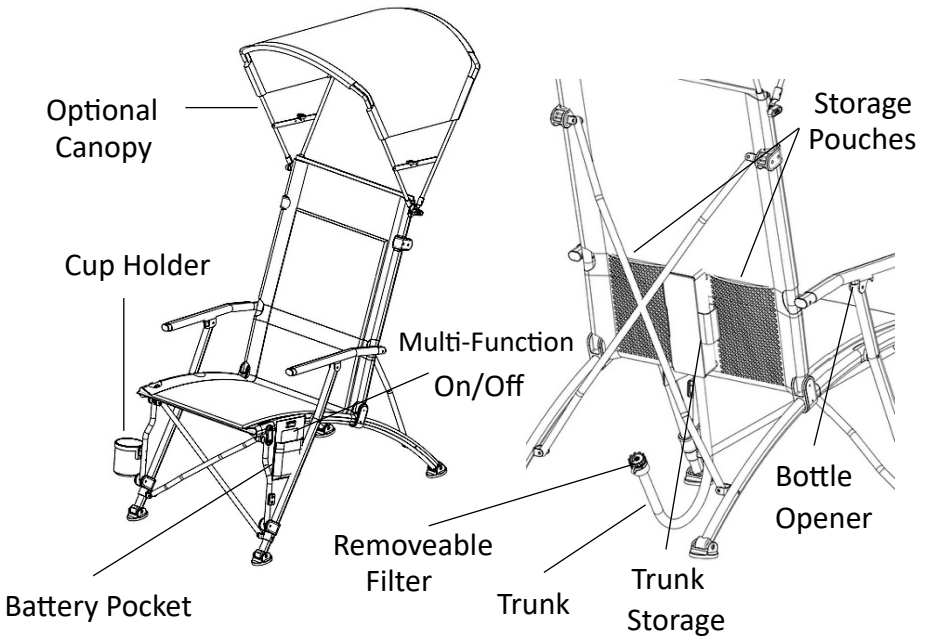
Color: black

Size: 2.5" X 3.7" X .9"

Weight: .4 lbs

Note: See enclosed separate manual for operating instructions and safety information

Components



Chair Operation: Set Up

1. Remove the chair from storage bag and unfold by grasping back of chair and pushing down on seat of the chair to open fully.
2. Unwrap trunk from back of chair by disconnecting Velcro tabs and submerge end of trunk in cooler loaded with ice and 1 inch or more of water. Close cooler while ensuring trunk is not pinched or kinked.

Note: cooler can be loaded with drinks and snacks. Please see ice retention tips.

3. Insert power bank into the battery pocket by opening Velcro pocket and plug in USB cord. Re-close pocket
4. Insert cup holder and ensure it is clipped in place on either front leg of chair
5. Press power button on the chair for 2 sec to turn on. Chair automatically enters Super Chill Mode (blue flashing) then reverts to high after 90 sec. Momentarily press power button to select medium

(cyan color) Momentarily press power button again for low (white color). Press and hold power button for 3 seconds to turn off.

Note: Chair pump turning on and off during operation is normal. Condensation around cooling lines and visible condensation on chair fabric is normal especially in humid conditions.

Optional Canopy

Specifications

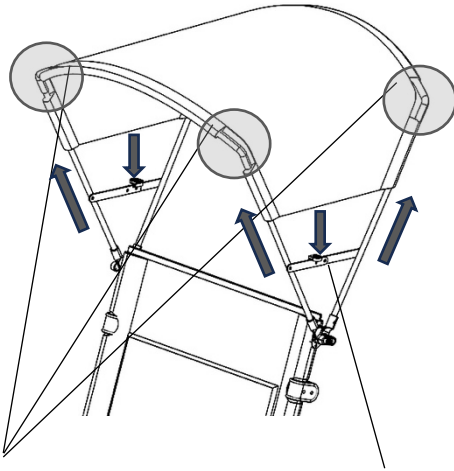
- Size Open: 19" x 23" x 23"
- Size Folded: 23" x 3" x 3"
- Weight: 1.6 lbs
- Material: 400D Polyester
- Frame Material: Powder Coated Aluminum
- Chair Mount: toolless
- Angle: adjustable
- Storage: Netted pocket back of chair or chair bag

Precautions

- Folding chair with optional shade canopy attached will cause damage
- Adjusting canopy with thumb screws tightened will cause damage to canopy. Loosen thumb screws before adjusting the canopy.
- Canopy thumb screws must be snug to ensure canopy does not detach from chair in windy conditions.

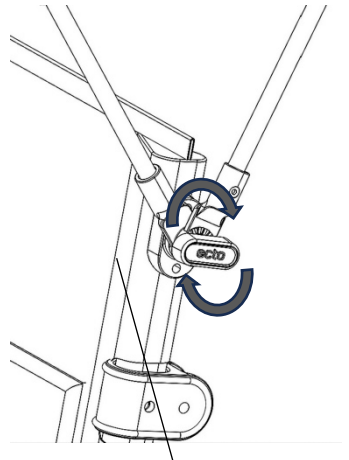
Canopy Operation

- Install optional canopy by removing canopy from pocket on chair
- Unfold canopy and insert bungee corded supports (2 on each side) in female brackets (see diagram)
- Connect canopy to chair with attached plastic thumb screws on each side. Ensure they are snug and do not over tighten.
- Press down on canopy tension clips each side to lock into place
- Adjust canopy to desired position by first loosening wing nut on each side then adjusting the position and retighten wing nuts.



Bungee Corded
Supports

Tension Clip



Thumb Screw

Chair Operation: Take Down/Storage

Optional Canopy Disassembly

1. Pull up on canopy tension clips on each side of chair
2. Loosen plastic thumb screws on each side of chair to disconnect canopy
3. Pull apart canopy bungy corded supports (2 on each side) and fold canopy
4. Place folded canopy in storage pocket on chair back or chair bag

Chair Take Down and Storage

1. Turn off power by pressing power button for 2 sec (no light on switch indicates off)
2. Remove trunk from cooler and turn on the chair by pressing the power button for 2 sec. Allow the pump to run for 60 sec so all water drains from cooling system.
3. Remove battery from pocket and unplug USB (charge battery as needed before storage)
4. Wrap trunk and place in pocket on back of chair. Secure with Velcro storage tabs
5. Allow trunk and chair to dry completely before storing
6. Fold chair by lifting up on bottom front center of seat while holding the back of the chair
7. Place chair in storage bag.



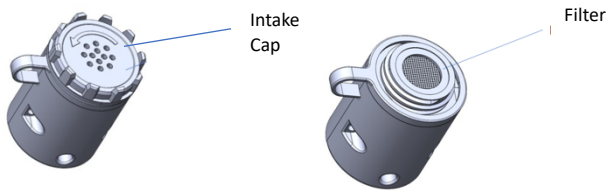
Chair and trunk must be completely dry before storing. Do not transport chair with battery installed to avoid inadvertent activation of the cooling system.

Ice Retention/Condensation Tips

- Keep your cooler out of direct sunlight when possible. A towel works well to cover cooler when shade isn't available
- Ice already wet or dripping melts faster than colder ice directly from the freezer
- Top off cooler when possible to maximize ice retention
- Soft sided coolers with zipper closures allows trunk to be sealed in the cooler keeping warm air out.
- Medium size high quality coolers, typically provide hours of cooling for your chair and your refreshments
- Select low or medium cooling setting to further maximize cooling duration
- Operating the chair without someone seated in chair will accelerate ice melting and increase condensation formation
- A small amount of condensation is normal.
- Humidity and high temperatures will result in condensation forming around cooling lines. Condensation can cause the fabric around the cooling lines to become damp. A small amount of condensation may transfer to your clothing. Wear water safe clothing when using chair or the TOPR.
- Placing the chair in the shade will reduce condensation forming.

Cleaning/Maintenance




- Clean only with a damp cloth and mild dish soap as needed
- Do not wash in washing machine, dry in a dryer or dry clean
- Mix 2 ounces of household chlorine bleach with one gallon of water and circulate through chair/TOPR for 10 min every 60 days and prior to storing for the season. Drain mixture by removing trunk from the solution with pump running for 20 seconds.
- After each use, ensure the chair is completely dry, including the trunk, prior to storing.
- To clean the filter: unscrew the intake cap by rotating it counter-clockwise. Remove the filter and spray clean with a hose. Replace the filter and replace the intake cap.



Precautions & Safety

- **This product is not a medical device**
- Consult your health care professional prior to use if you have any preexisting medical conditions
- Discontinue use if numbness, tingling, or any discomfort occurs
- The chair's auto shutdown feature turns the system off automatically after 2 hours of use. Hold cooling button 2 seconds to restart
- Salt and Dry Ice should not ever be used with the chair. Clean ice/water should be used with the chair cooling system. Dirty water or ice will damage the system and void the warranty.
- Hot water should not be used
- Submerging any part of the chair/TOPR(except the trunk) will cause damage and void the warranty
- Do not run the pump for longer than 90 seconds without trunk submerged in water
- This product is not designed for use or storage in temperatures below freezing. Permanent damage will occur and void the warranty
- Discontinue use if chair is damaged, leaking, or is not working properly. Contact service@ectolifestyle.com for product support

Trouble Shooting

Problem	Solution
<p data-bbox="168 289 362 321">Lack of Cooling</p> 	<ul style="list-style-type: none"> • Check battery charge • Disconnect and reconnect battery • Ensure battery is plugged into USB connector • Ensure end of trunk is submerged in ice water • Press power button 3 sec • Unscrew and clean trunk filter • Verify cooler has ice and at least 1 inch of water
<p data-bbox="200 553 330 581">No Power</p> 	<ul style="list-style-type: none"> • Check battery charge • Disconnect and reconnect battery • Ensure battery is plugged into chair connector • Press power button for 3 sec
<p data-bbox="142 748 388 781">System Shut Down</p>  <p data-bbox="110 927 402 1019">Note: It is normal for the chair pump to turn off and on during operation</p>	<ul style="list-style-type: none"> • Check battery charge • Disconnect and reconnect battery • Ensure battery is plugged into USB connector • Press power button for 3 sec
<p data-bbox="110 1057 756 1084">Technical Support: 8am-5pm EST M-F 1-866-328-6543</p>	

Limited Warranty

At the exclusive option of AC Chair LLC (dba Ecto Lifestyle) defects in material or workmanship will be warranted for 1 year from the date of purchase by providing repair parts to the consumer, repairing the item, or replacing the item (with the same or similar product) Proof of purchase and returns good authorization required. No express warranties other than those described within. AC Chair LLC (dba Ecto Lifestyle) will not be liable for incidental or consequential damages under any circumstances whether for breach of contract, warranty, tort, or negligence. Certain states do not allow limitations to the warranty so these may not apply to all consumers. Please email service@ectolifestyle.com for support.

Ecto products are designed for personal & recreational use.

Exclusions:

Normal wear & tear, burns, rips, moisture damage, rust, fading, modifications, & abuse.

The limited warranty excludes all fees associated with shipping the product to the manufacture and return shipping once repaired or replaced.

More Information:

For Manuals in other languages and other useful info please visit www.ectolifestyle.com/info or scan the link below.



Arctica Cooling Technology™

ecto®

don't compromise.

www.ectolifestyle.com

Designed in the USA
Made in China