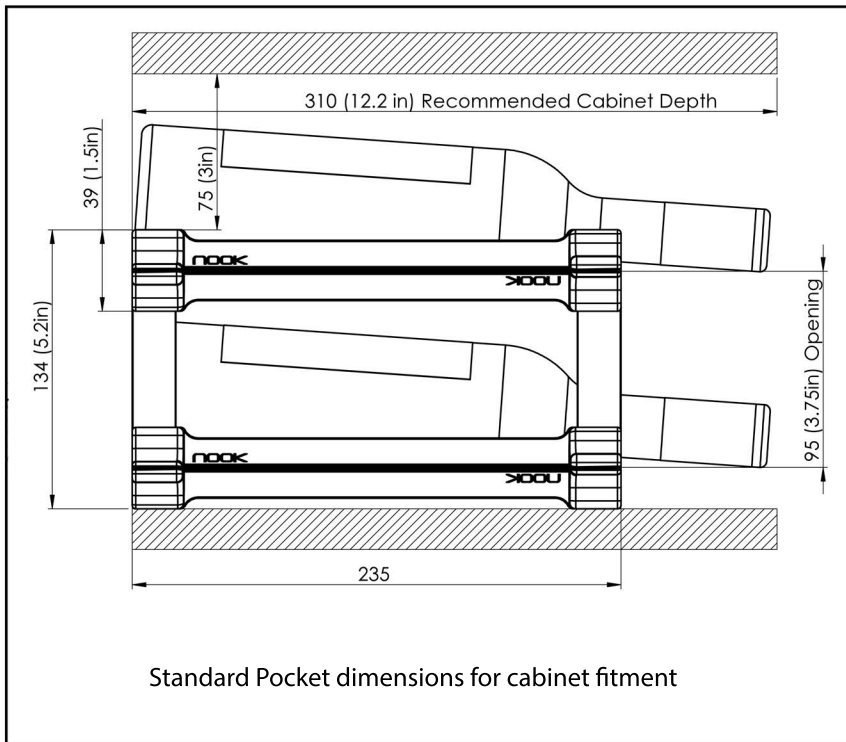
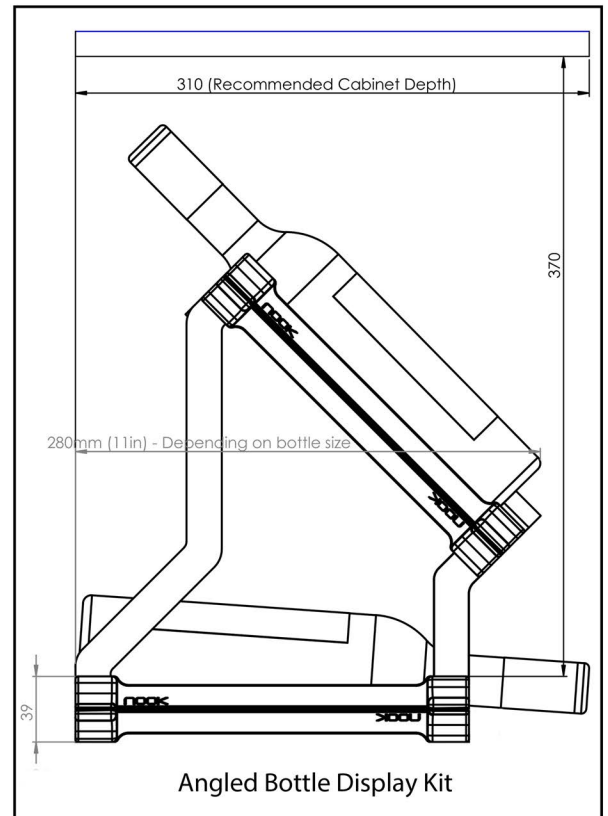


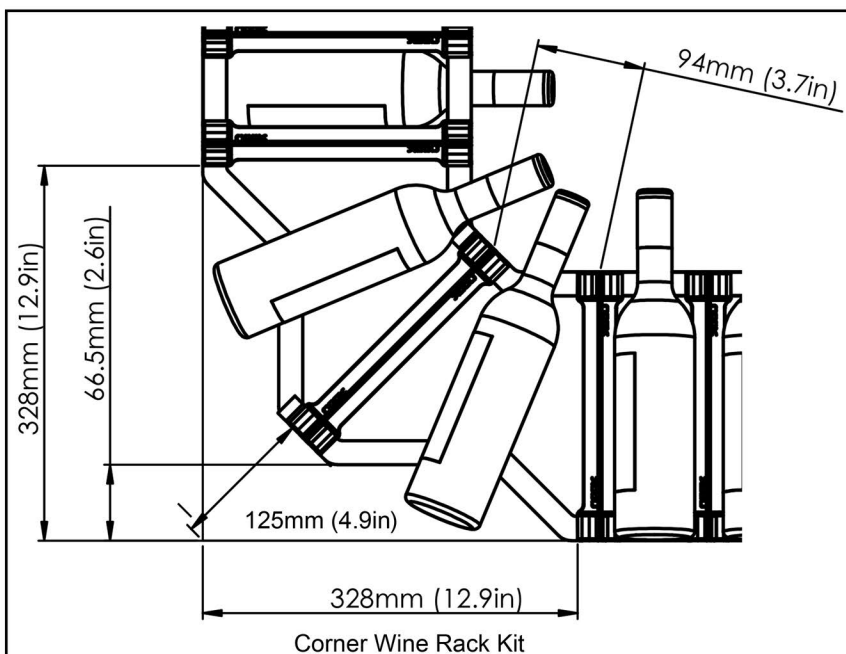
No pockets in row	Outer width/height (mm)	Outer width/height (in)	Cabinet Internal height for additional top bottle (mm)	Cabinet Internal height for additional top bottle (in)
1	135	5.3	210	8.3
2	230	9.1	305	12.0
3	325	12.8	400	15.7
4	420	16.5	495	19.5
5	515	20.3	590	23.2
6	610	24.0	685	27.0
7	705	27.8	780	30.7
8	800	31.5	875	34.4
9	895	35.2	970	38.2
10	990	39.0	1065	41.9
11	1085	42.7	1160	45.7
12	1180	46.5	1255	49.4
13	1275	50.2	1350	53.1
14	1370	53.9	1445	56.9
15	1465	57.7	1540	60.6
16	1560	61.4	1635	64.4
17	1655	65.2	1730	68.1
18	1750	68.9	1825	71.8
19	1845	72.6	1920	75.6
20	1940	76.4	2015	79.3



Standard Pocket dimensions for cabinet fitment



Angled Bottle Display Kit



Corner Wine Rack Kit

Note

Nook wine racks pockets are the same height and width

To calculate larger sizes simply add 95mm per pocket

For example, for 20 pockets - 135mm for the first pocket plus 95. Wine Rack is 235mm deep

Metal supports are 21mm (0.8in) deep

Openings for bottles are 94mm (3.7in) square

Requires wall attachment brackets if building over 1.2 metres or 47 inches high

Average weight is 200 grams per individual pocket