

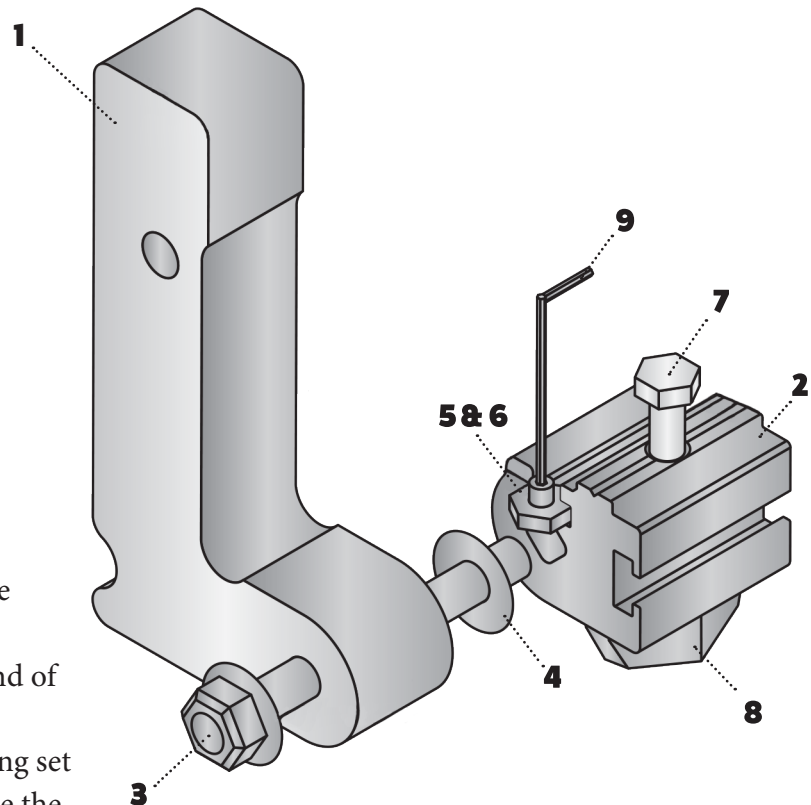
## Router Fence Flip Stop

Part # FSS-RTF

Congratulations on purchasing your Infinity Router Table Fence Flip Stop. This stop was designed specifically for the Infinity Professional Router Table Fence PRTF-100. It is easy to adjust, rock solid in use, and flips up and out of the way when you don't need it.

Parts List, one each

1. Stop Arm
2. Stop Block
3. Flat Head Pivot Bolt
4. Pivot Washer
5. Retaining Nut
6. Retaining Set Screw
7. Locking Bolt
8. Locking Knob
9. Allen Wrench.



### Assembly:

Install the flat head pivot bolt (3) through the countersunk hole in the stop arm (1).

Install the pivot washer (4) then insert the end of the pivot bolt into the stop block (2)

Using the allen wrench (9) Install the retaining set screw (6) into the retaining nut (5), then slide the assembly into the slot in the stop block and tighten to lock the pivot arm in place.

Install the locking bolt (7) into the stop block and install the locking knob (8).

Flip stop is fully assembled. Install your flip stop onto your Infinity professional router table fence by sliding the head of the locking bolt into the t-track in the fence top rail. Slide the stop into your desired position and tighten the locking knob.