

NOTICE: Always turn off the power and unplug your machine before installing the Planer Readout on it.

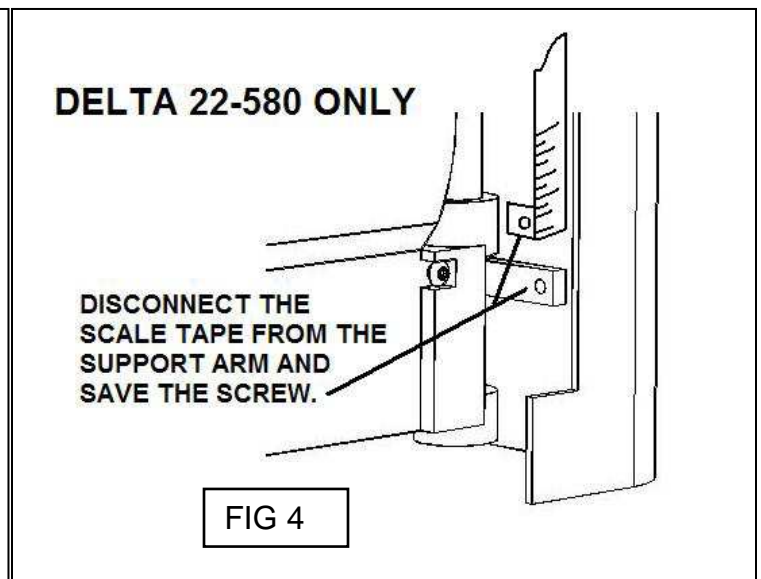
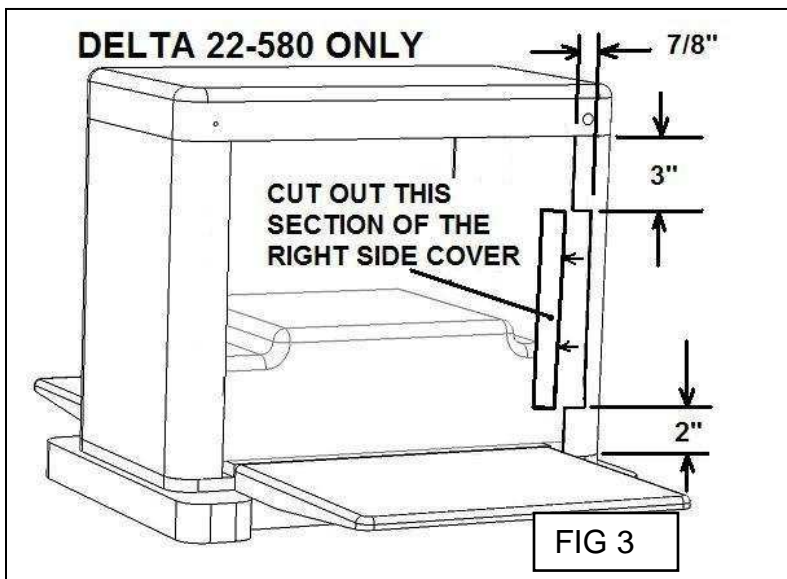
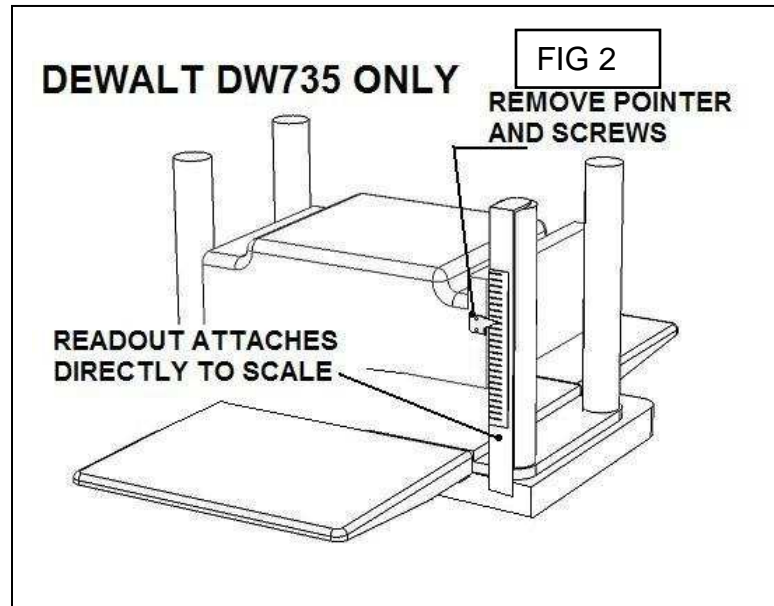
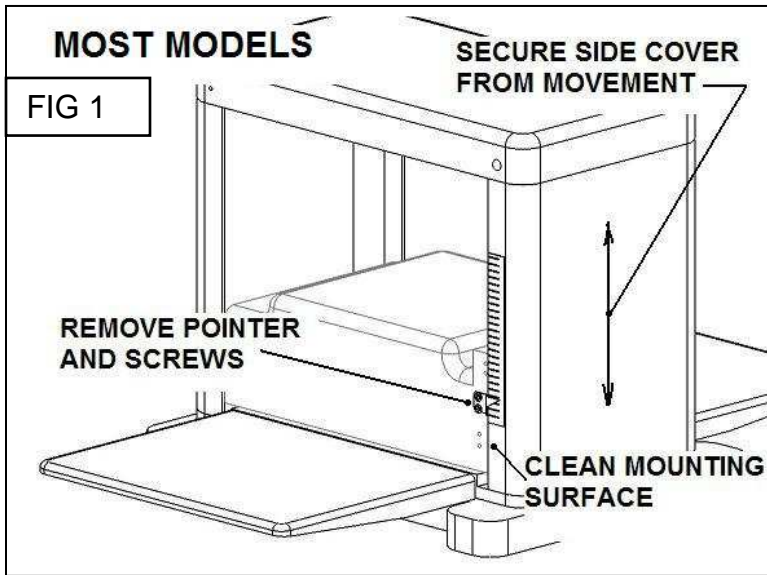
MODEL WR510 Type 2

INSTRUCTIONS

1- Prepare your Planer

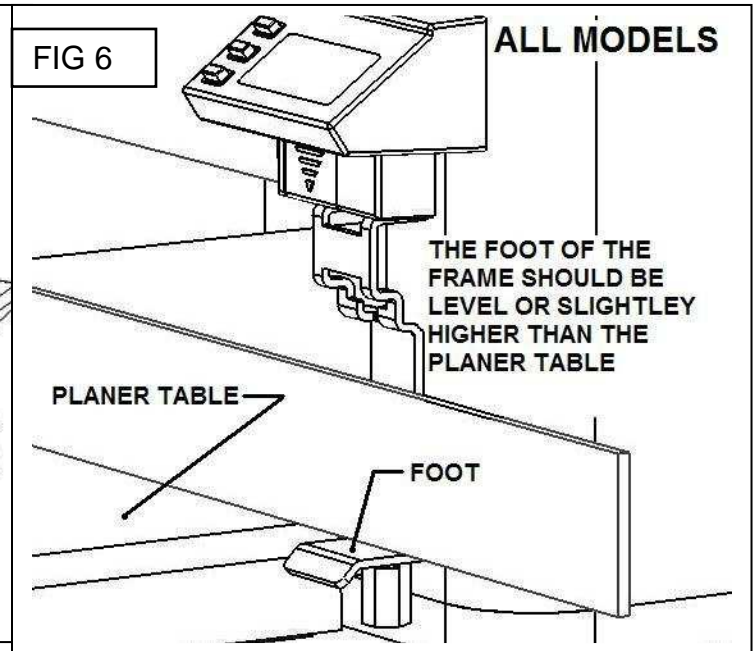
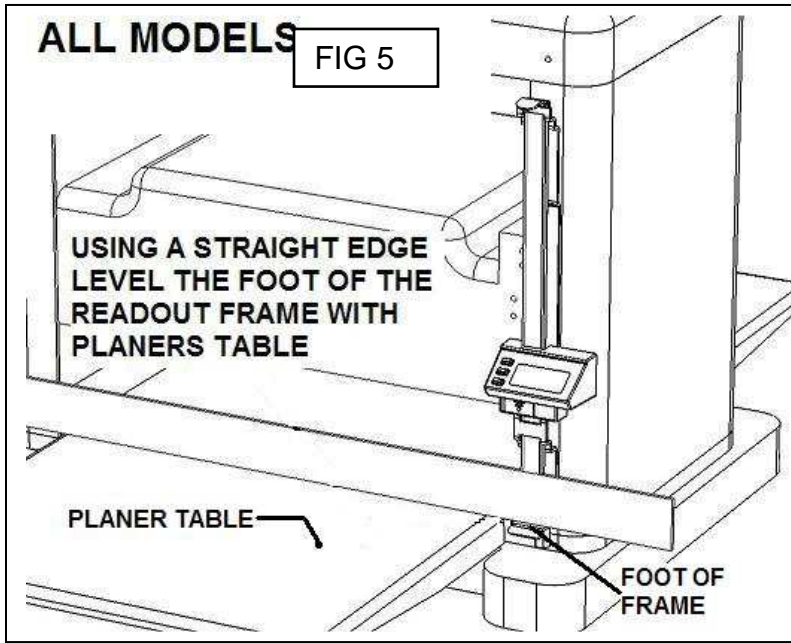
If your planer has preset depth stops, lower the cutter head until it contacts any one of the stops. If it does not have a preset stop, lower it as low as it will go which is usually 1/8".

Most models will refer to FIG 1. For the Dewalt model DW735 refer to FIG 2 and for the Delta model 22-580 refer to both FIG 3 and FIG 4.

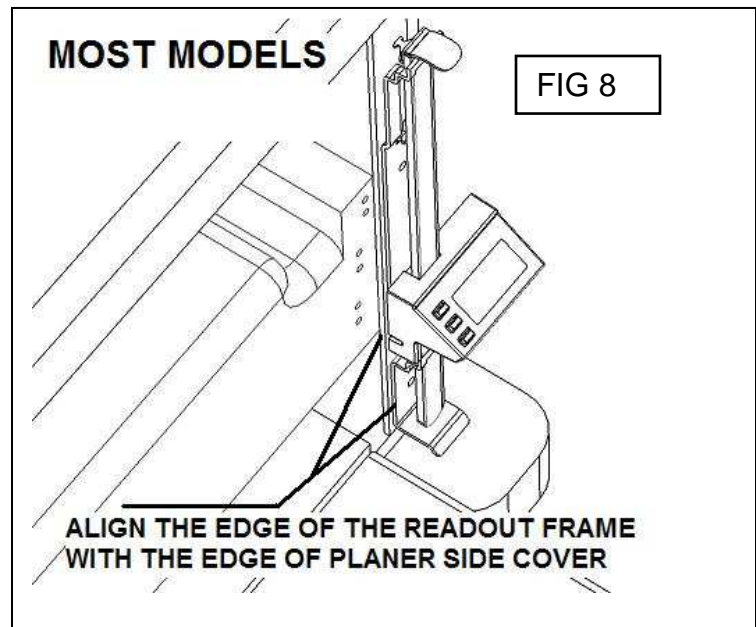
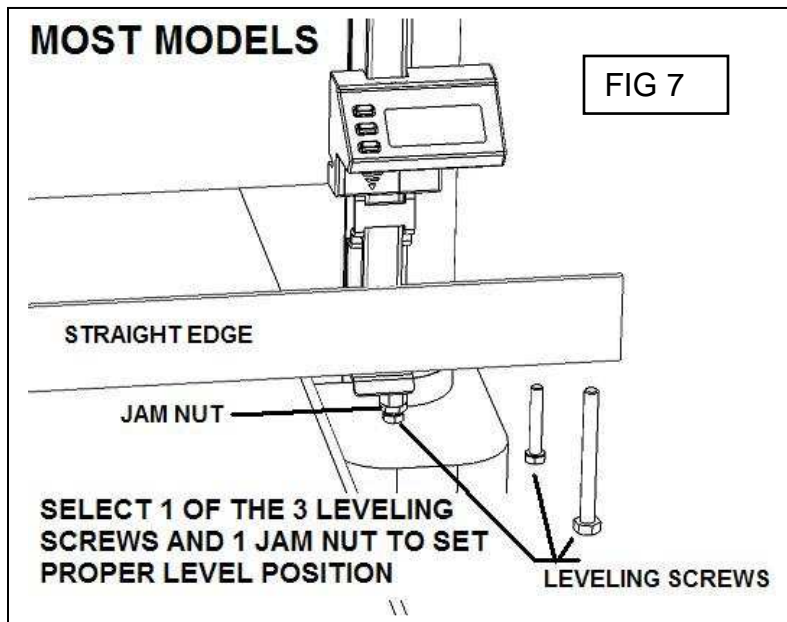


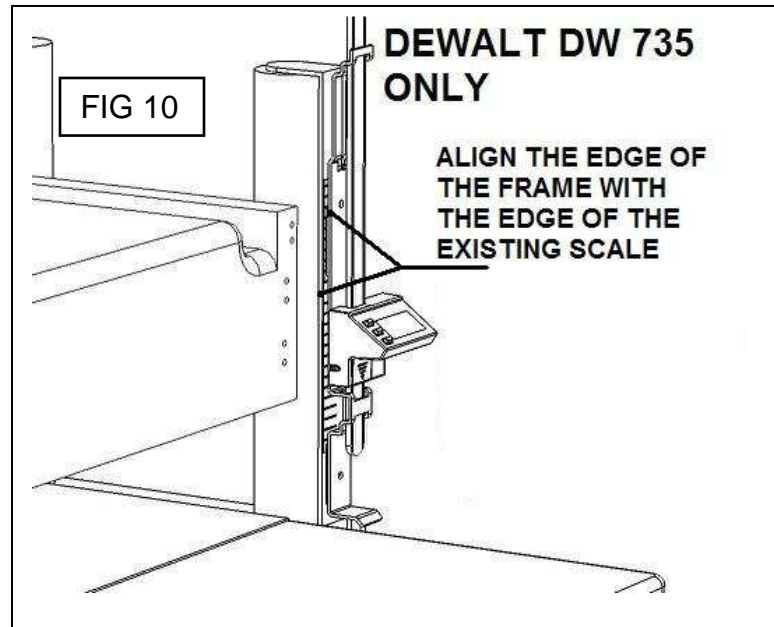
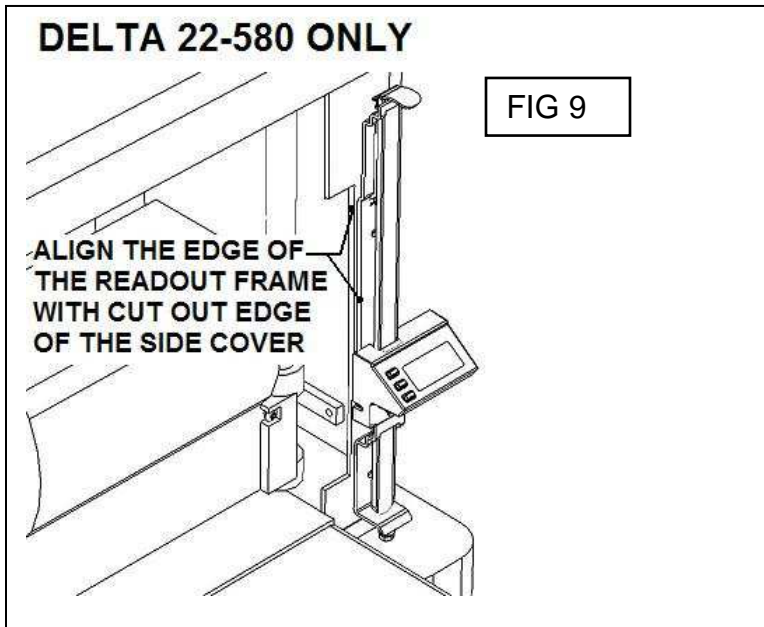
2- Position the Readout assembly

Although the WR510 Planer Readout will function properly mounted many ways, it is recommended that the foot of the frame is mounted level to or slightly above the surface of the planer table of your planer (FIG 5 and FIG 6). It is very important that the foot is never lower than the planer table as it will cause calibration problems (see trouble shooting in section 10)



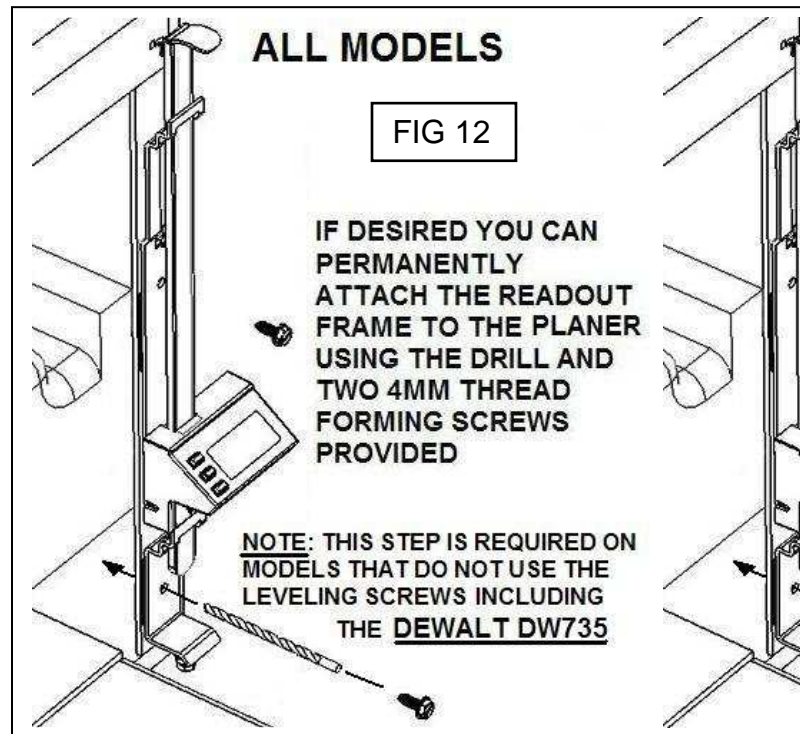
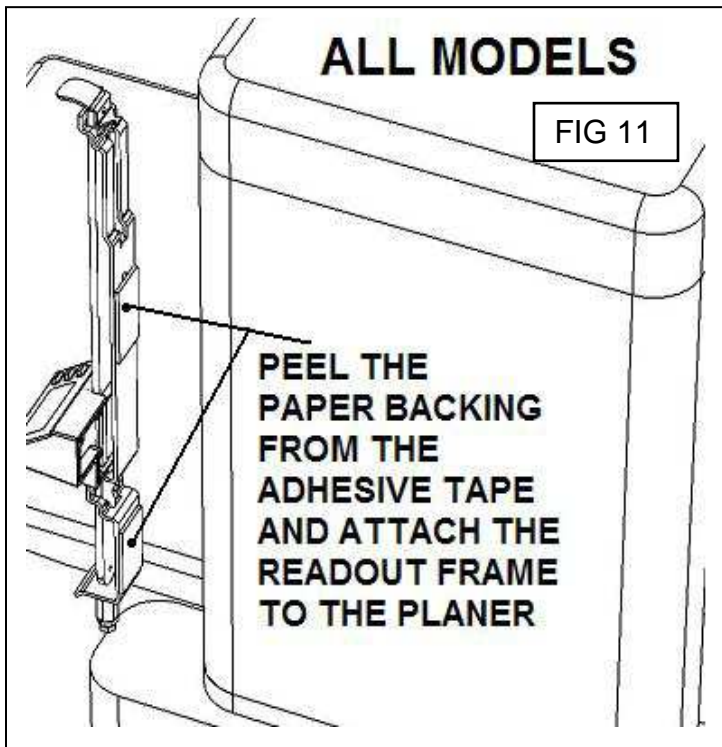
Most planer models have a portion of their base casting that can support a leveling screw as shown in FIG 7. Typically the frame of the Planer Readout will align with the edge of the side cover as shown in FIG 8. See FIG 9 for aligning the frame with the Delta model 22-580 and FIG 10 for the Dewalt Model DW735





3- Attach the Readout assembly to your Planer

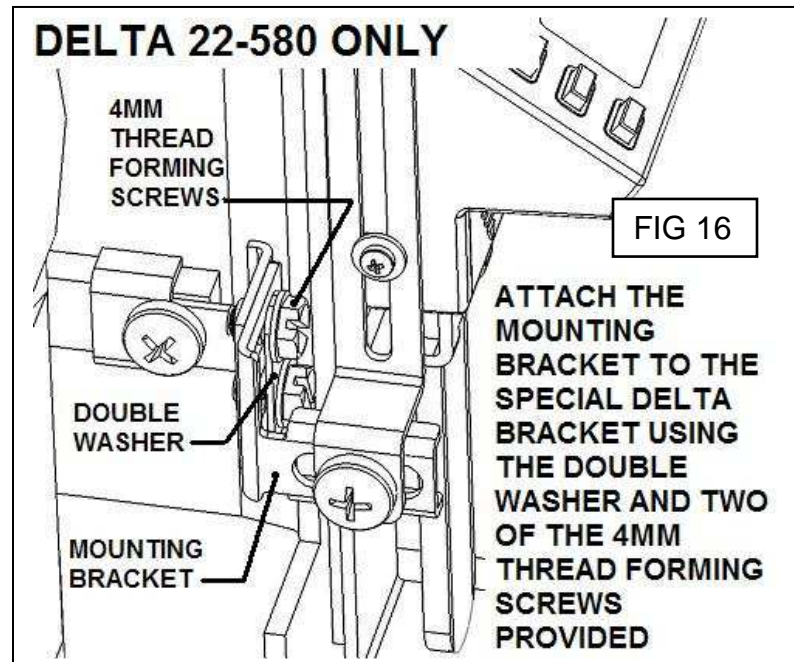
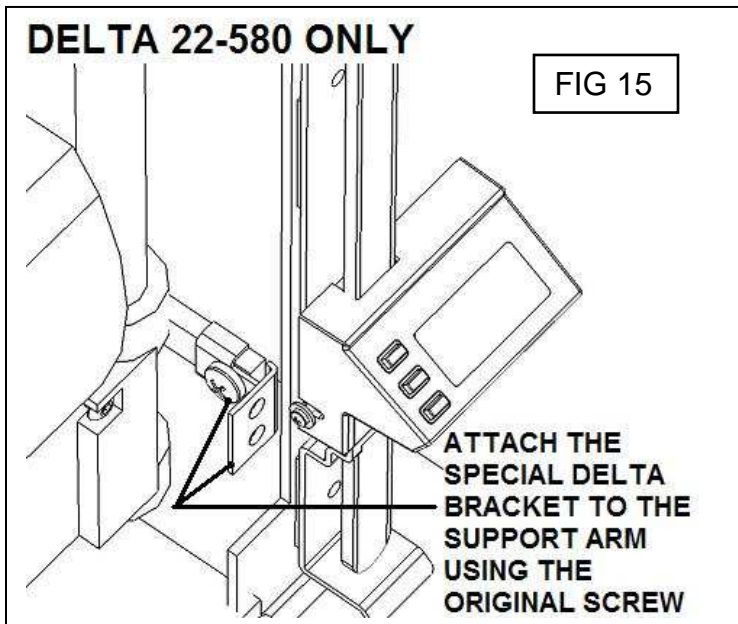
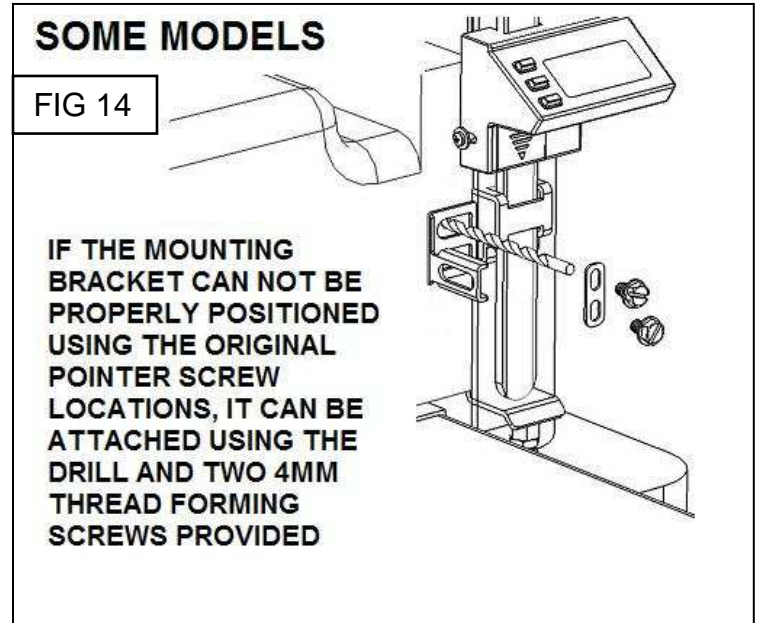
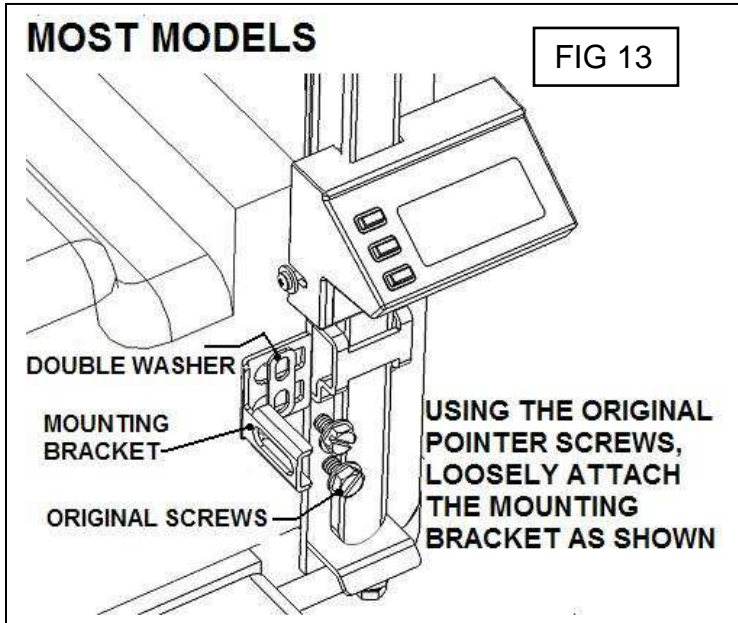
Peel the paper backing from the foam tape and attach the Readout assembly to your planer as shown in FIG 11. If you are using a leveling screw the high strength foam tape will secure your Readout assembly indefinitely. For installations that do not use the leveling screw such as the Dewalt model DW735 and for a more secure mounting you can permanently attach the assembly using thread forming screws as shown in FIG 12.



4- Attach the mounting bracket to your Planer

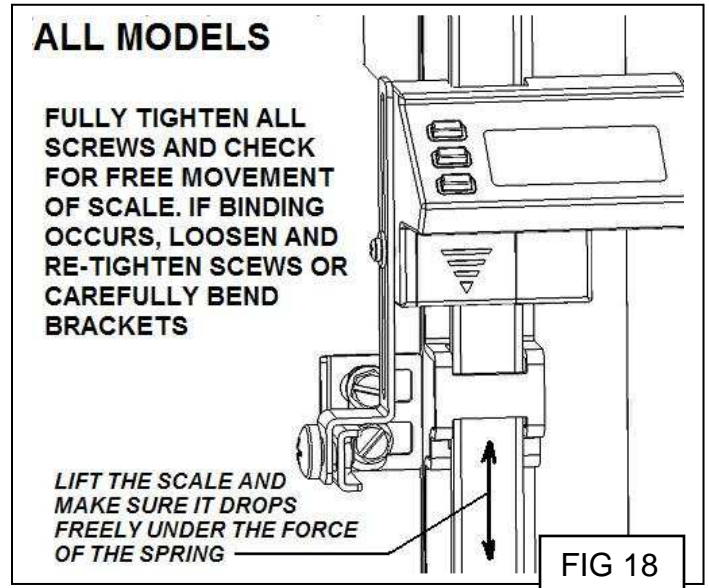
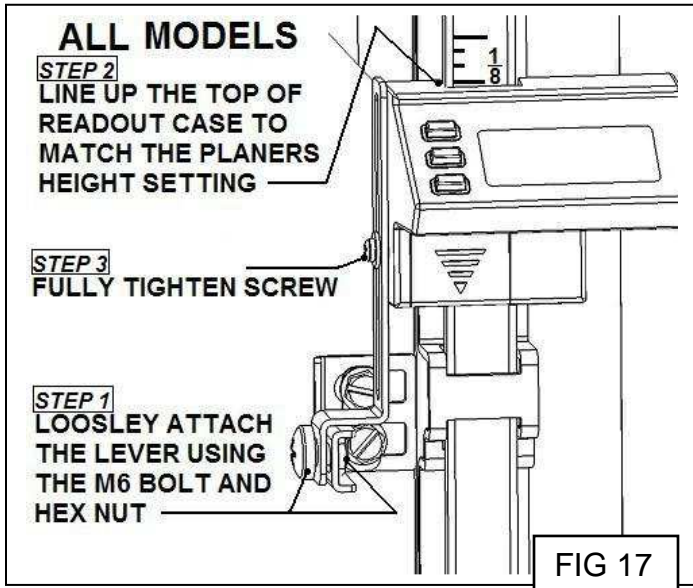
For most models you can attach the mounting bracket where the original pointer was located using the original screws as shown in FIG 13. If this is not possible or the original pointer location does not locate the mounting bracket in the proper position refer to FIG 14.

To attach the mounting bracket to the Delta model 22-580 use the special Delta bracket supplied with the WR510 kit and attach it as shown in FIG 15 and FIG 16.



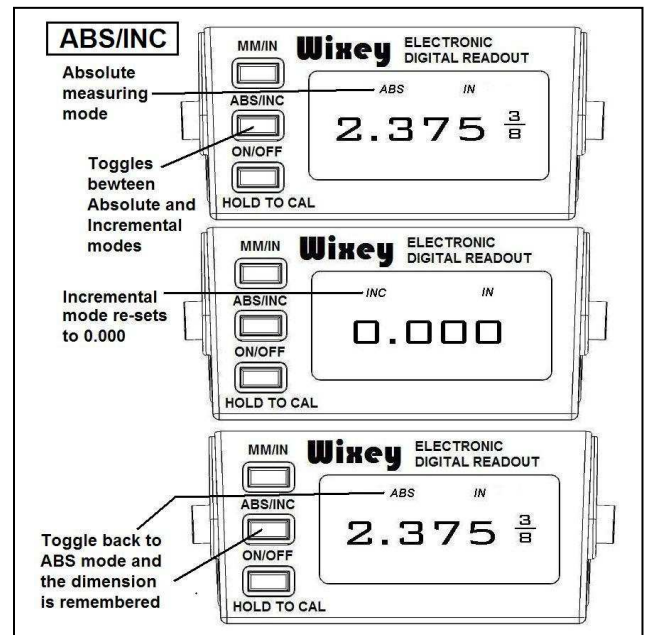
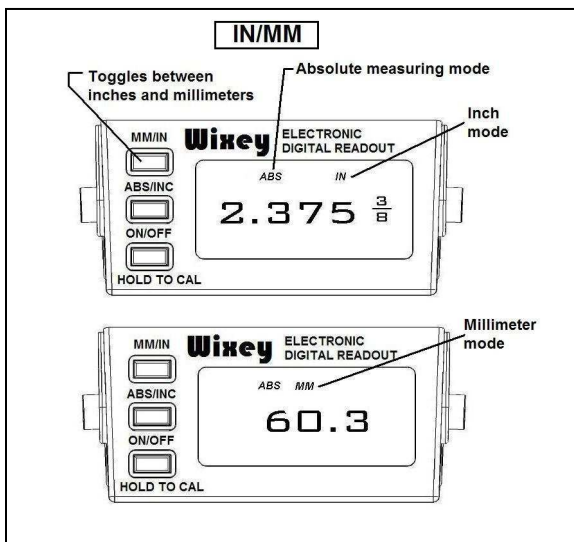
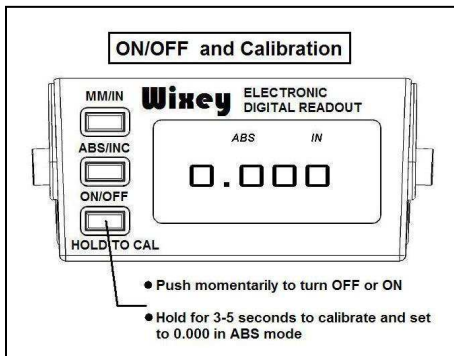
5- Adjust the Readout

Adjust the position of the readout as shown in FIG 17 and FIG 18.

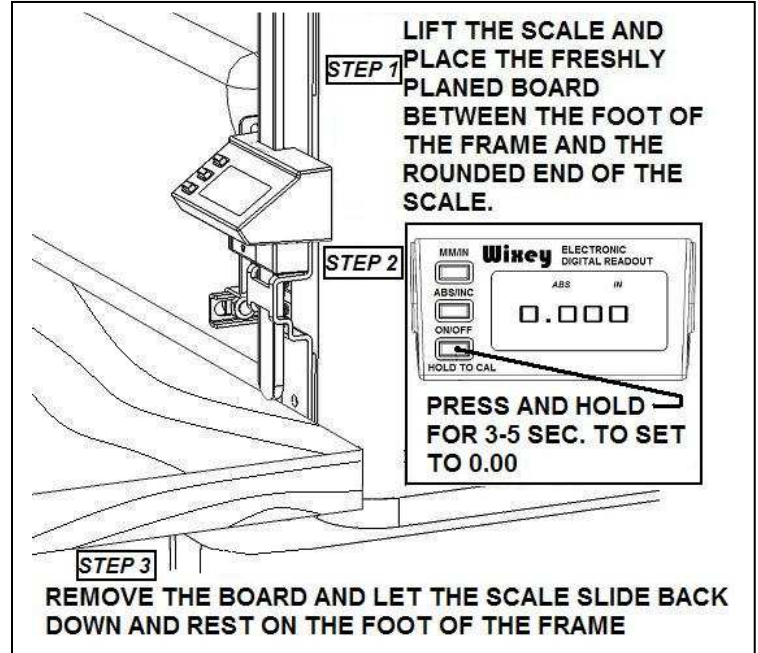
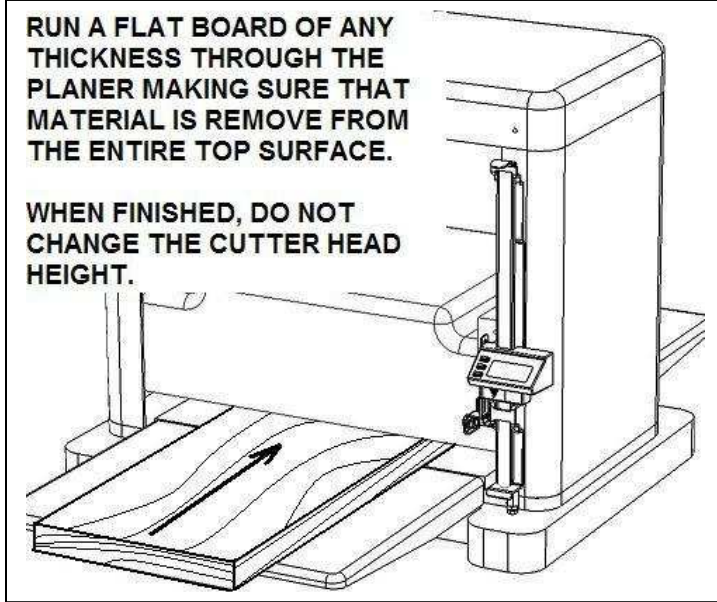


Note: If the scale does not slide freely after following the steps in FIG 18, refer to **Trouble shooting** in section 10

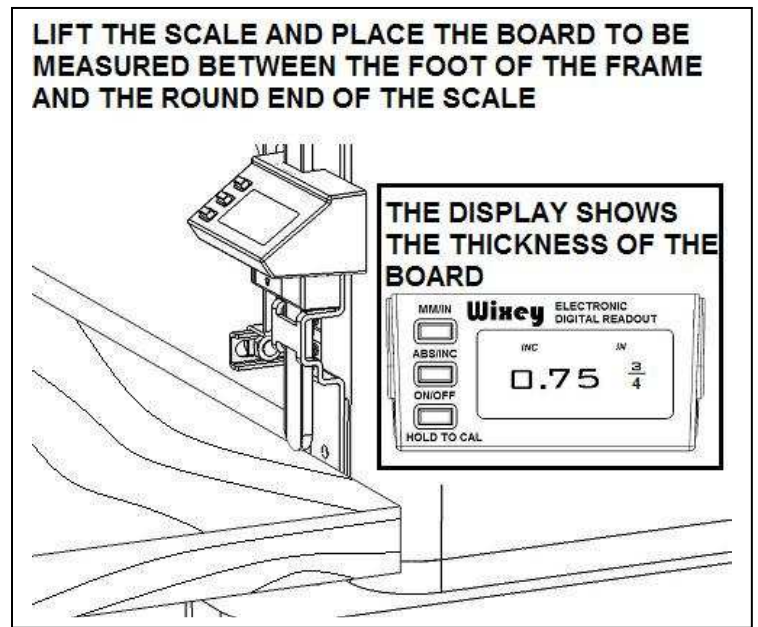
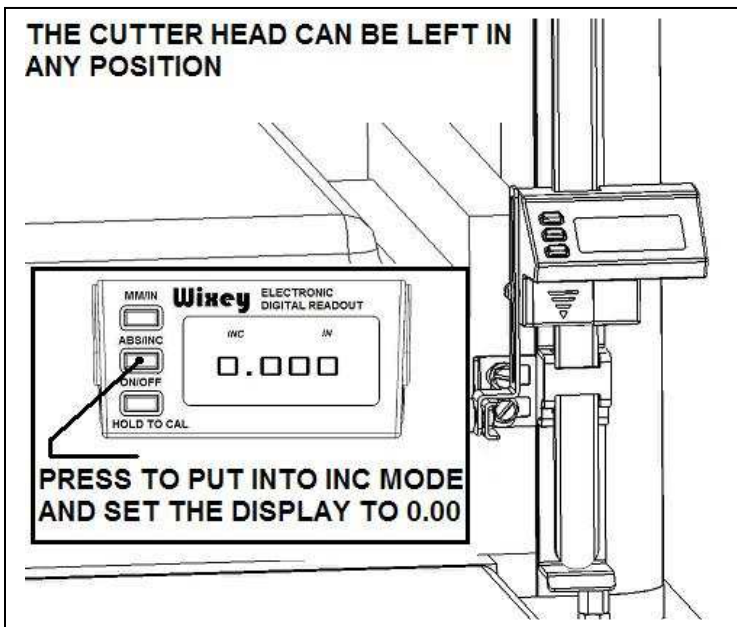
6- Readout operation



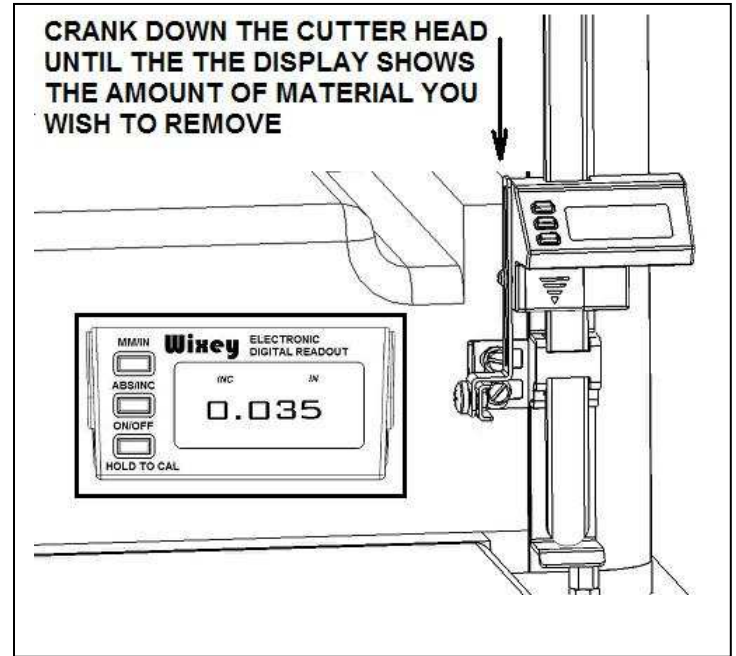
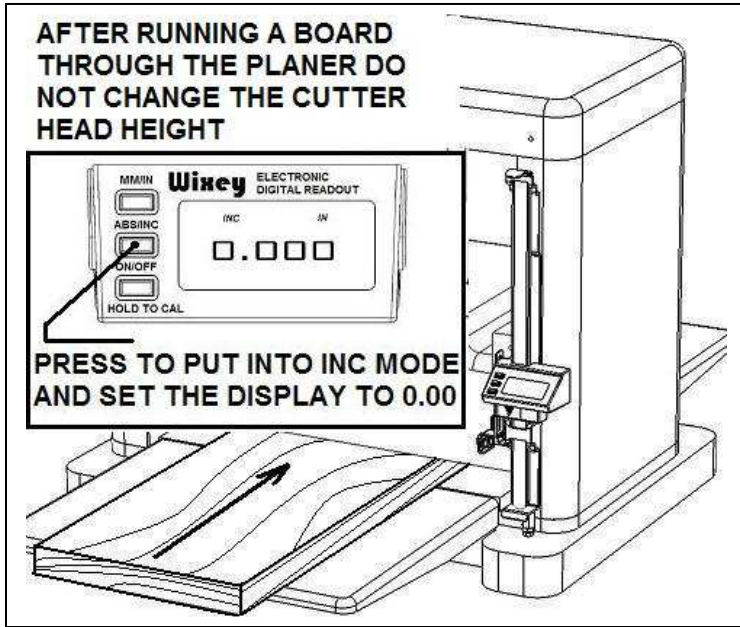
7-Calibration



8- Measuring a board

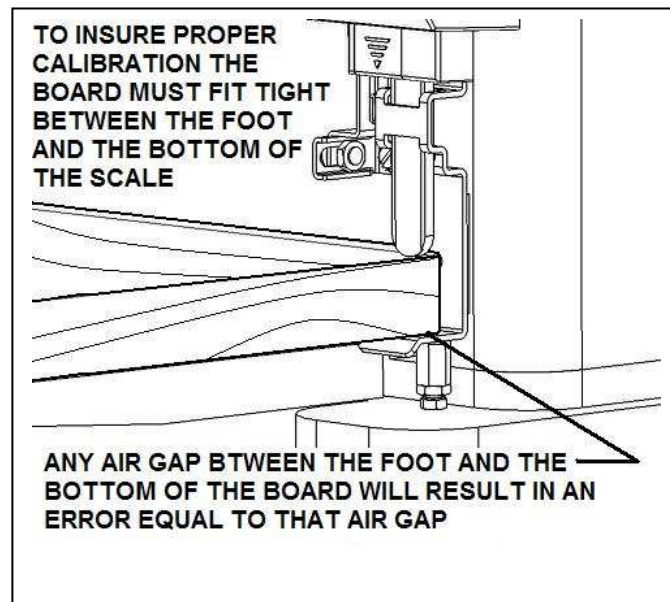


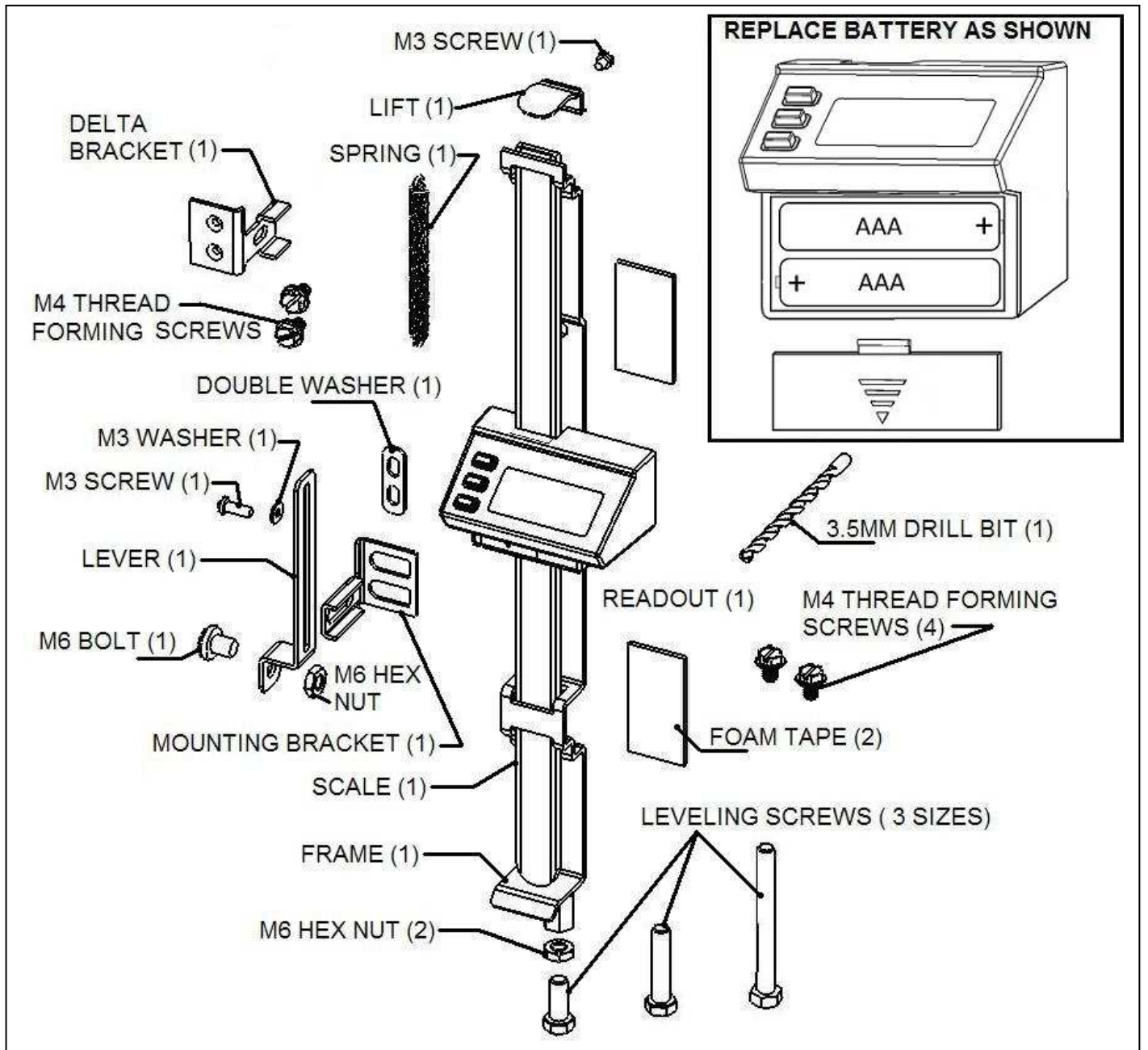
9-removing a precise amount of material



10- Trouble shooting

Problem	Possible Cause	Solution
Flashing Digits	Low Voltage	Replace Batteries
No Display	Low Voltage	Replace Batteries
No Display	Bad Contact	Clean Batteries
Erratic or Frozen Display	Internal Error	Remove Batteries, Wait 1 Minute and Replace





For questions, comments, and application examples go to: www.wixey.com