

# BESSEY® Auto-Adjust Toggle Clamps

## STC-HH Horizontal



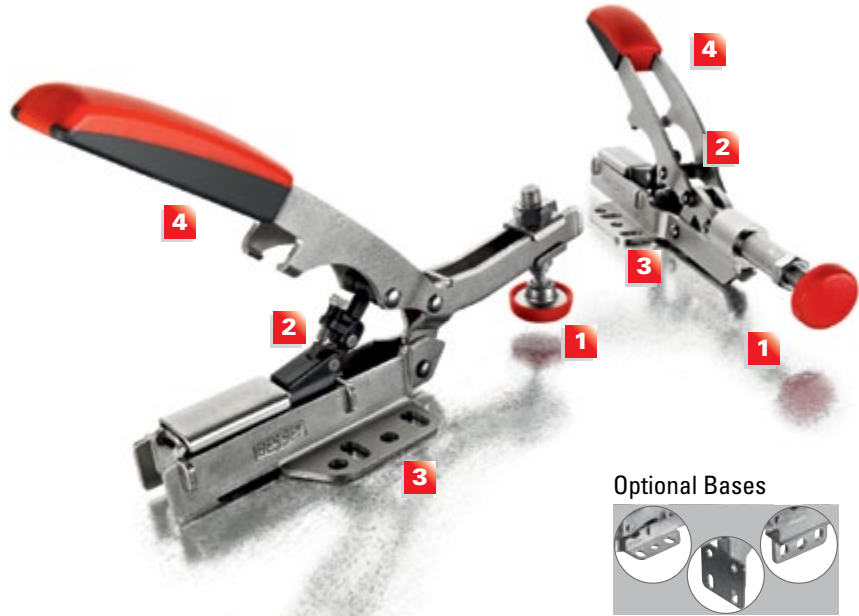
Simply better.

### Features

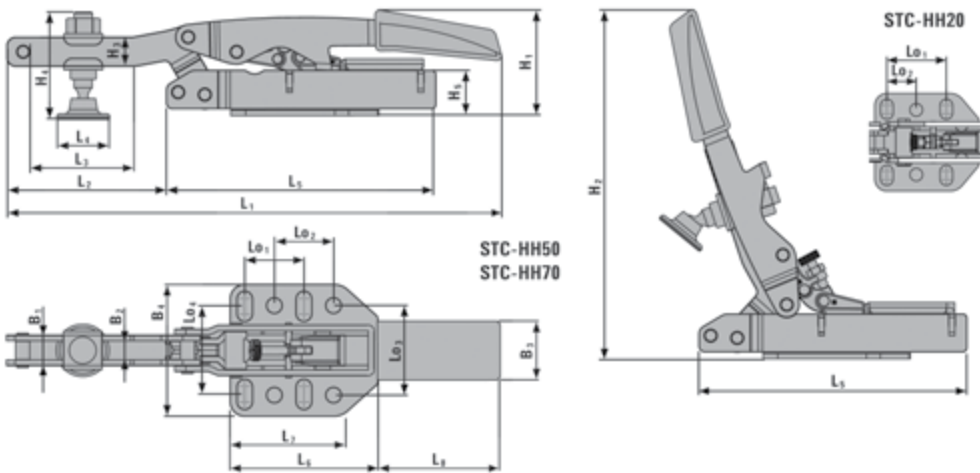
- 1 Auto-Adjust** The BESSEY® Auto-Adjust Toggle Clamp automatically adjusts to variations in work piece dimensions while maintaining constant clamping force.
- 2 Adjustable Clamping Force** The integrated clamping force adjustment screw can be used to vary the applied clamping force in a wide range.
- 3 Adaptable Base Plate** Holes are sized and spaced for easy mounting and flexibility.
- 4 Large Handle** Soft insets for maximum comfort.

### Benefits

One BESSEY® Auto-Adjust Toggle Clamp offers a range of clamping force and clamping height. It can replace a range of competitive clamps for quicker set-ups, smaller tool cribs and consolidated inventories.



| Model #  | Opening   | Nominal Clamping Force Range | Holding Capacity | Approx. Weight | Fastener      |
|----------|-----------|------------------------------|------------------|----------------|---------------|
| STC-HH20 | $13/16"$  | 25 - 250 lbs.                | 450 lbs.         | 0.44 lbs.      | $3/16"$ or M5 |
| STC-HH50 | $1 9/16"$ | 25 - 550 lbs.                | 700 lbs.         | 0.77 lbs.      | $1/4"$ or M6  |
| STC-HH70 | $2 3/8"$  | 25 - 550 lbs.                | 700 lbs.         | 0.86 lbs.      | $1/4"$ or M6  |



|          | Total Length | Length of extension arm | Spindle adjustment range | Pressure plate diameter | Length of base | Length of base plate 1 | Length of base plate 2 | Length of 2-comp handle | Height of handle (closed) | Height of handle (open) | Height of extension arm | Height of spindle, cpl. | Height of base | Width of extension arm (external) | Width of extension arm (internal) | Width of 2-comp. handle | Width of base plate | Length of hole spacing 1 | Length of hole spacing 2 | Length of hole spacing 3 | Width of elongated hole | Diameter of hole |
|----------|--------------|-------------------------|--------------------------|-------------------------|----------------|------------------------|------------------------|-------------------------|---------------------------|-------------------------|-------------------------|-------------------------|----------------|-----------------------------------|-----------------------------------|-------------------------|---------------------|--------------------------|--------------------------|--------------------------|-------------------------|------------------|
|          | L1           | L2                      | L3                       | L4                      | L5             | L6                     | L7                     | L8                      | H1                        | H2                      | H3                      | H4                      | H5             | B1                                | B2                                | B3                      | B4                  | Lo1                      | Lo2                      | Lo3                      | Lo4                     | Ø                |
| STC-HH20 | 6.57"        | 1.77"                   | 0.79"                    | 0.63"                   | 3.27"          | 1.77"                  | 1.38"                  | 1.81"                   | 1.73"                     | 5.59"                   | 0.39"                   | 1.65"                   | 0.98"          | 0.39"                             | 0.24"                             | 0.79"                   | 1.65"               | 1.00"                    | 0.50"                    | 1.10"                    | 1.00-1.25"              | 0.22"            |
| STC-HH50 | 8.27"        | 2.60"                   | 1.57"                    | 0.91"                   | 4.53"          | 2.52"                  | 1.97"                  | 2.09"                   | 1.81"                     | 6.10"                   | 0.51"                   | 1.97"                   | 0.79"          | 0.51"                             | 0.31"                             | 1.02"                   | 2.24"               | 1.00"                    | 1.00"                    | 1.50"                    | 1.26-1.73"              | 0.25"            |
| STC-HH70 | 8.27"        | 2.60"                   | 1.57"                    | 0.91"                   | 4.53"          | 2.52"                  | 1.97"                  | 2.09"                   | 2.52"                     | 6.89"                   | 0.51"                   | 2.68"                   | 1.50"          | 0.51"                             | 0.31"                             | 1.02"                   | 2.24"               | 1.00"                    | 1.00"                    | 1.50"                    | 1.26-1.73"              | 0.25"            |

\* Variable and dependent on spindle settings, pressure screw setting, force applied etc. Some small spindle adjustments may be required to achieve maximum clamping opening.

Rev. Mar 2013

Toggle Video



E-Newsletter Sign up

