



Infinity Router Table Extension Wings Instructions, Part # RTEW-001

Congratulations on purchasing your Infinity Router Table Extension Wings. These wings are designed to mount to the Infinity Heavy-Duty Tool Stand and Infinity Plycore Router Tabletop. Installation is best done by flipping your router table upside down. We recommend placing the top on a sheet of cardboard or similar surface to avoid scratching or damaging your table.

Parts List

- A. 8x Pivot Arms
- B. 4x Pivot Arm Connectors
- C. 4x Z-brackets
- D. 4x Table Brackets
- E. 16x 1/4-20 x 7/8" Button Head machine screws
- F. 60x Nylon Washers
- G. 16x 1/4-20 Lock Nuts
- H. 4x Hinges
- I. 24x #12 Wood Screws

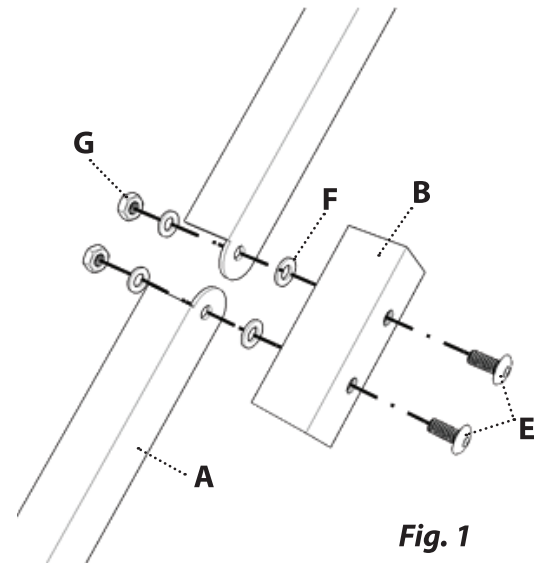


Fig. 1

Step 1. Assemble the pivot bracket assembly. (See Fig. 1)

Each pivot bracket assembly consists of 2x Pivot Arms (A) and 1x Pivot Arm Connector (B). Use two 1/4-20 bolts (E), 4 nylon washers (F), and two lock nuts (G). Tighten hardware until snug then loosen roughly 1/4 turn or until parts move freely but without slop.

Step 2. Install the Z-brackets onto each leg of your Heavy Duty Tool Stand. (See Fig. 2)

Use the carriage bolts and lock nuts included with the stand to attach the Z-brackets (C). Use 4 nylon washers (F) on each bracket between the bracket itself and the stands leg to allow smooth adjustment. Leave hardware hand tight. Be sure to install the mounting bolts through the top two holes in the stands upper leg section as shown in Fig. 2 or the extension table will not sit parallel with the router table tip.

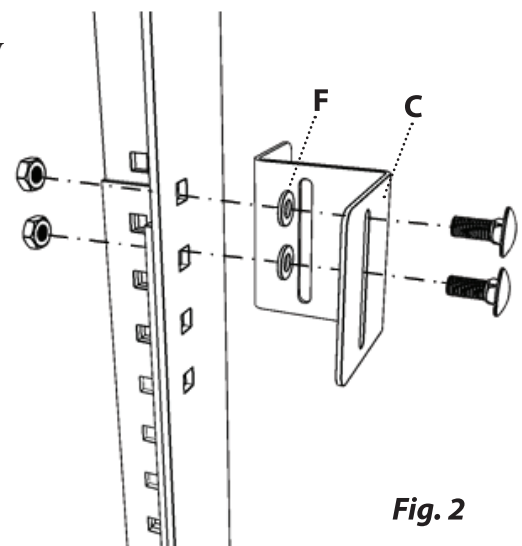


Fig. 2

Step 3. Install the hinges and table brackets.

Install 2 hinges (H) and 2 table brackets (D) to each plycore extension wing using 8x wood screws (I). Each plycore extension wing is predrilled for your convenience. Place the wing next to the router table and use 4x screws (I) to attach the hinges to the router tabletop using the predrilled holes. There should be roughly a 1/8" gap between the router tabletop and extension wing. If you have an Infinity plycore top with no pre-drilled holes, use 1/8" spacers between the tops to locate the table before drilling mounting holes and installing screws. Before tightening the hinge screws, install a miter bar or accurately milled piece of hardwood measuring 3/4" x 3/8" x 12" into the miter tracks to align the two tables, then tighten the hinge screws fully.

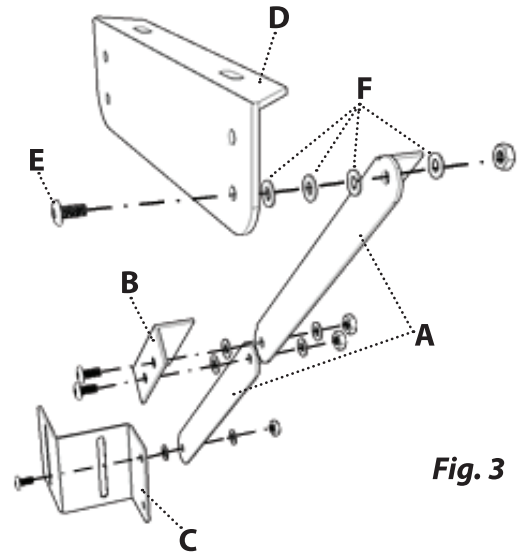


Fig. 3

Step 4. Install the pivot bracket assembly between the Z-brackets and table brackets. (See fig. 3)

Be sure to install 3x nylon washers (F) between the table bracket (D) and pivot bracket assembly to allow proper clearance of the assembly through its full range of motion.

Step 5. Adjust extension table parallel.

Flip your router table right side up and adjust the Z-brackets (C) until the extension tables are parallel with the router table then tighten the Z-bracket hardware to lock in place. Use an accurate straight edge to ensure all tables are in alignment. The Z-brackets (C) and table brackets (D) are both slotted to allow for adjustment. Confirm proper T-track/miter track alignment and adjust hinges (H) as needed.

To unfold your extension wings, lift the table slightly past parallel then lower into place. The pivot brackets act as cams and will lock in place automatically. If the brackets do not automatically lock into place, check that all pivot bolts move freely and adjust as necessary.

To fold your extension wings, lift the table slightly past parallel while simultaneously lifting lightly on the pivot brackets. Rotate the table down until fully folded and out of the way.