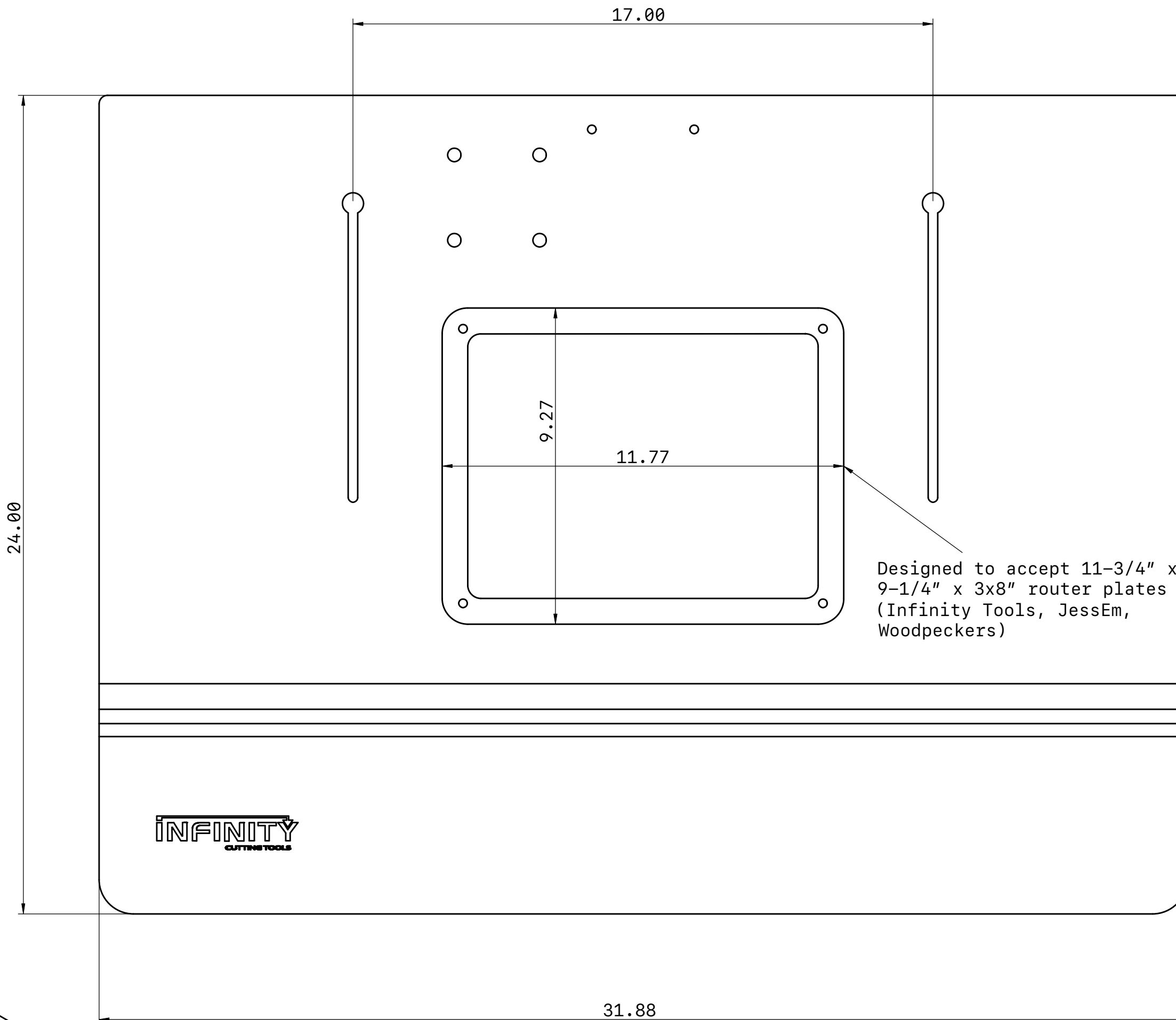


Standard 3/4" Miter Track



Universal T-Track accepts 1/4" Hex Bolts, 1/4" T-Bolts/Nuts, and 5/16" T-Bolts Nuts



Designed to accept 11-3/4" x 9-1/4" x 3x8" router plates (Infinity Tools, JessEm, Woodpeckers)

