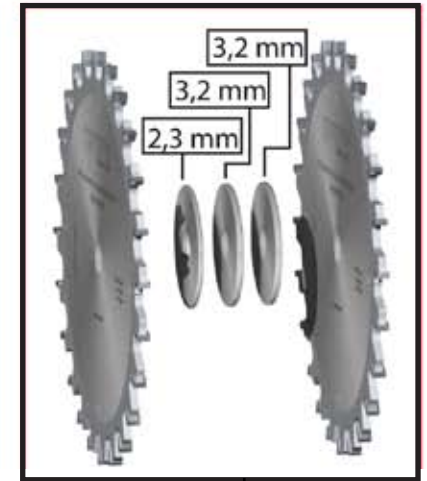
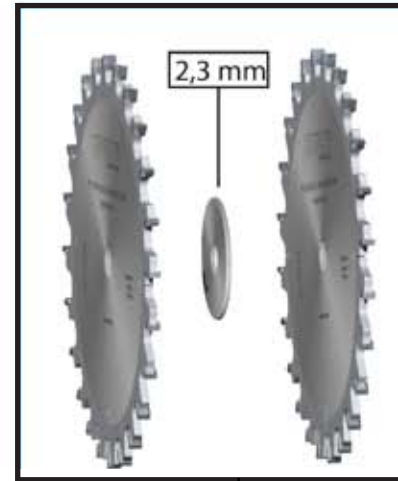
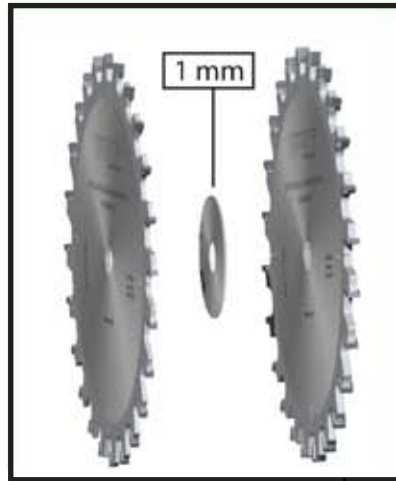


INFINITY

CUTTING TOOLS

FLAT-BOTTOM CROSSCUTTING BLADE INSTRUCTIONS

- **Item: 080-001**
5/32", 1/4", 3/8", 1/2" &
1/4" Double Box-Joint
- **Item: 080-002**
5/32", 1/4" & 3/8"
- **Item: 080-003**
1/4", 1/2" & 1/4" Double Box-Joint



5/32" Groove
080-156 Sawblade



1/4" Groove
080-250 Sawblade



3/8" Groove
080-156 Sawblade +
080-250 Sawblade +
1 mm Spacer



1/2" Groove
080-250 Sawblade +
080-250 Sawblade +
2.3 mm Spacer



1/4" Double Box-Joint
080-250 Sawblade +
080-250 Sawblade +
2.3mm + 3.2mm +
3.2mm Spacer