

D-Handle Base Plate Assembly Instructions for:

115-037, D-Handle Compact

<https://www.infinitytools.com/universal-router-baseplates-for-compact-routers>

115-036, D-Handle Full Size

<https://www.infinitytools.com/universal-router-baseplates>

D-Handle BasePlate parts list:

Main baseplate, 1x.

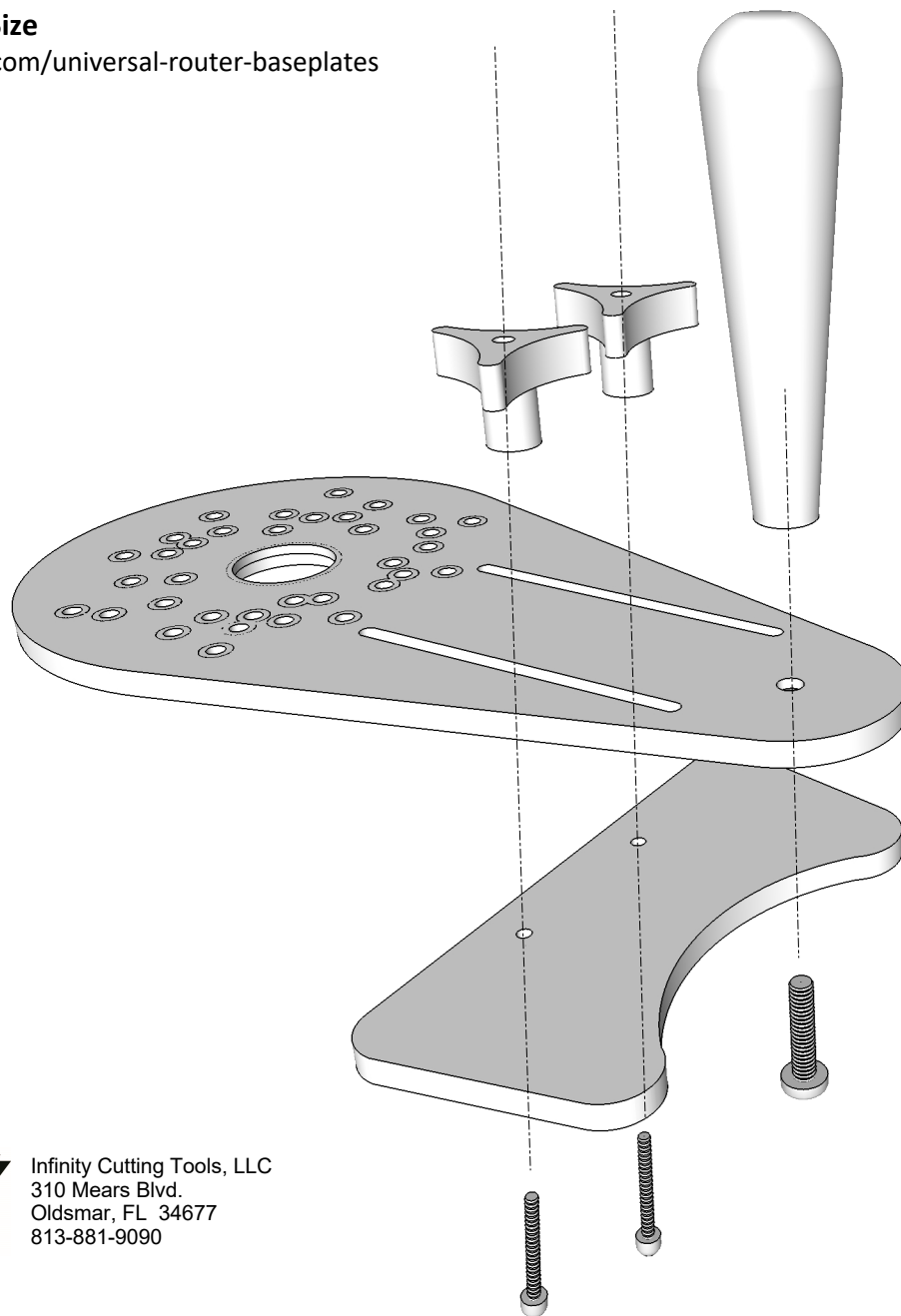
Fence plate, 1x.

¼-20 star knobs, 2x.

¼-20 by 1-1/2" hex head bolt. 2x.

Tall handle, 1x.

3/8-16 x 1" flat head screw, 1x.



INFINITY
CUTTING TOOLS
INFINITYTOOLS.COM

Infinity Cutting Tools, LLC
310 Mears Blvd.
Oldsmar, FL 34677
813-881-9090