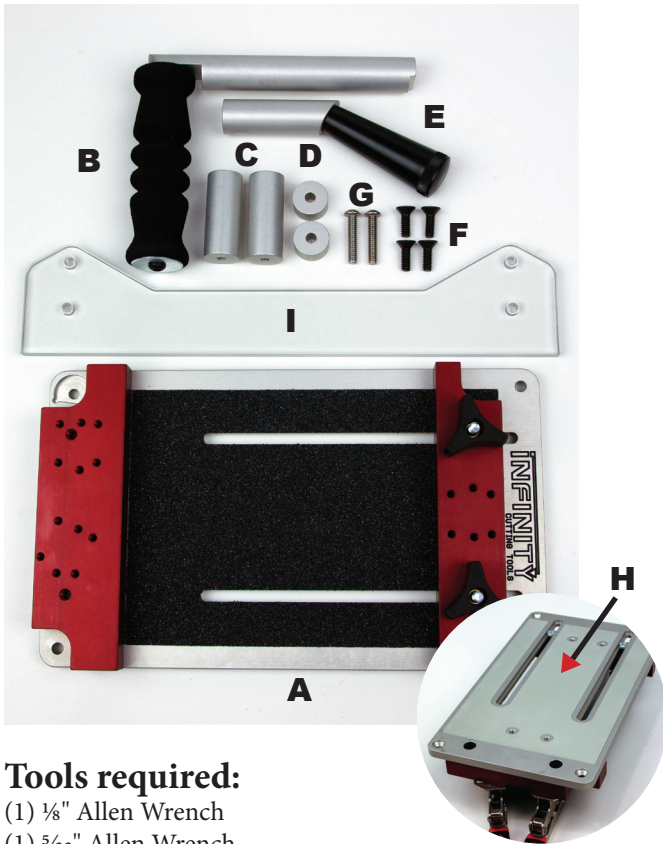


INFINITY

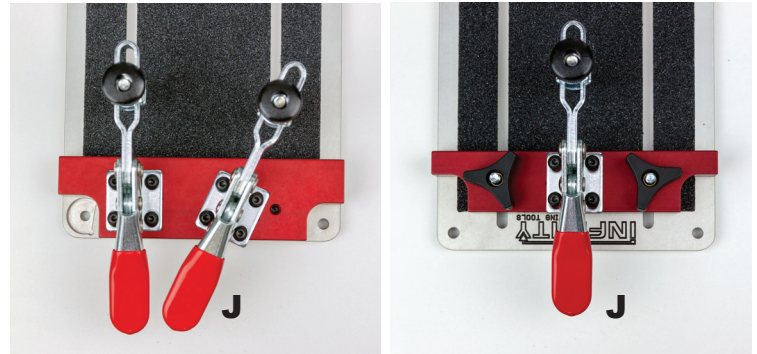
CUTTING TOOLS

INFINITYTOOLS.COM

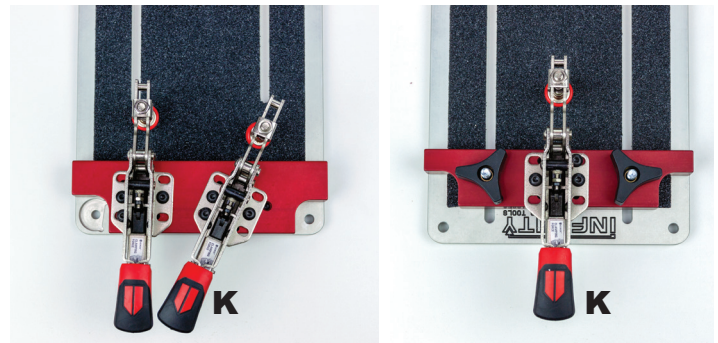
Assembly Instructions For Infinity's Professional Coping Sleds Items: COP-200 & COP-201



COP-200 with Standard Toggle Clamps



COP-201 with Auto-Adjust Toggle Clamps



NOTE: Two screws minimum required, one at each center hole location on each side of clamp. Third screw is optional.

Tools required:

- (1) 1/8" Allen Wrench
- (1) 5/32" Allen Wrench

Parts List (COP-200 & COP-201):

- (1 ea.) Sled Base with Pre-Installed Clamp Blocks (A)
- (1 ea.) Horizontal Grip Handle Assembly (B)
- (2 ea.) Visor Posts (C)
- (2 ea.) Visor Spacers (D)
- (1 ea.) Front Post Handle (E)
- (4 ea.) 1/4"-20 x 3/4" Flathead Screws (F)
- (2 ea.) 1/4"-20 x 1-1/4" Panhead Screws (G)
- (12 ea.) #10-32 x 1/2" Panhead Screws (Not Pictured)
- (1 ea.) Die Cut Low Friction Base Film (H)
- (1 ea.) Visor (I)

COP-200 Only:

- (3 ea.) Standard Toggle Clamps (J)

COP-201 Only:

- (3 ea.) Deluxe Auto-Adjust Toggle Clamps (K)

*NOTE: Two screws minimum required for each clamp on the COP-201, one at each center hole location on each side of the clamp. Third screw is optional.

Assembly:

1. Install Toggle Clamps
 - COP-200: Install three standard toggle clamps with 12 ea. #10-32 x 1/2" panhead screws (see upper photos above).
 - COP-201: Install three auto-adjust toggle clamps with 9 ea. #10-32 x 1/2" panhead screws (see lower photos above).
2. Install visor posts using 2 ea. 1/4"-20 x 3/4" flathead screws.
3. Install visor and visor spacers onto visor posts using 2 ea. 1/4"-20 x 1-1/4" panhead screws.
 - For fences less than 3" tall, install spacers above visor.
 - For fences 3" or taller, install spacers below visor.
4. Install horizontal grip assembly and front post handle using one 1/4"-20 x 3/4" flathead screw each.
5. Install the low friction base film to the base. Ensure that the sled base is clean and free of dirt and grease before installation.

310 Mears Blvd • Oldsmar, Florida 34677

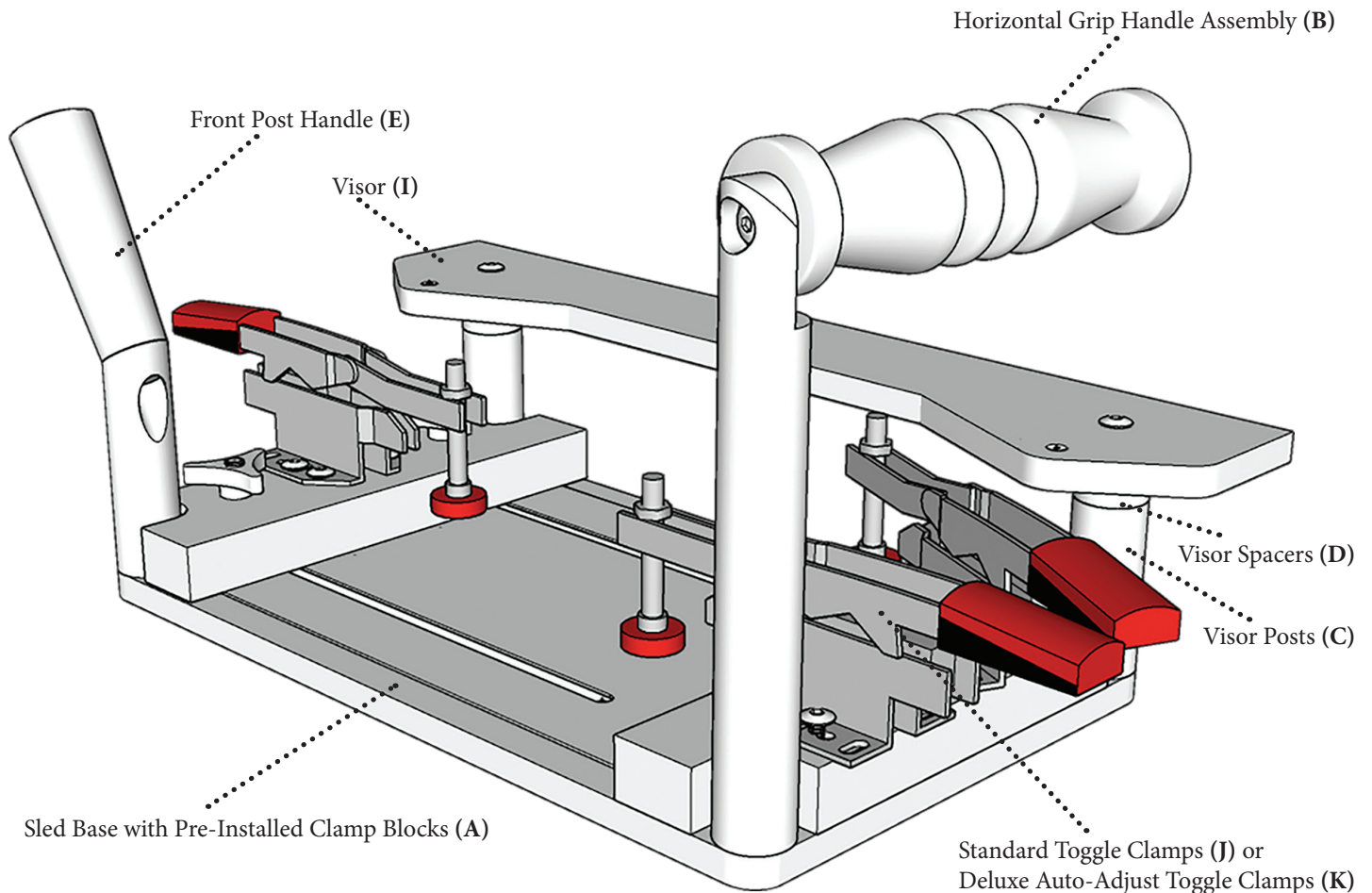
P: 813-881-9090 | 1-877-872-2487 - Order Online 24/7: InfinityTools.com

INFINITY

CUTTING TOOLS

INFINITYTOOLS.COM

Assembly Instructions For Infinity's Professional Coping Sleds Items: COP-200 & COP-201



310 Mears Blvd • Oldsmar, Florida 34677

P: 813-881-9090 | 1-877-872-2487 - Order Online 24/7: InfinityTools.com