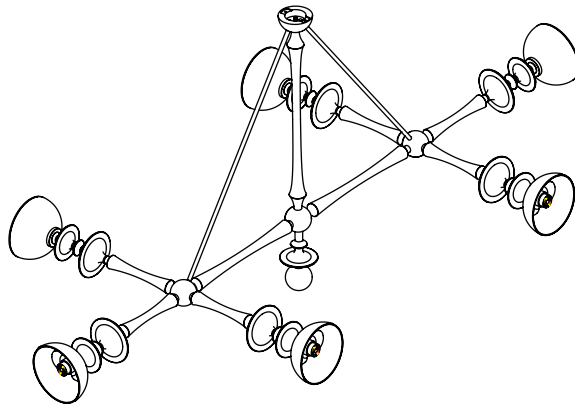


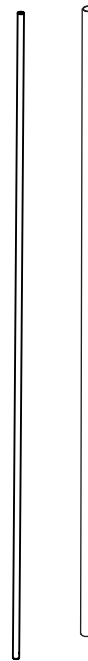
CONTENTS

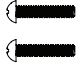



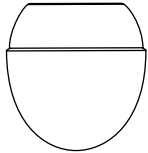
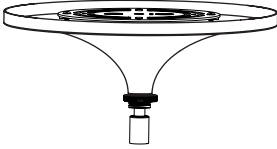

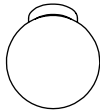
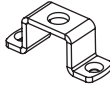
21MAR2023

Rue Sala Pendant 6 Arm Assembly

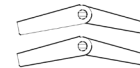


Threaded rod and cover tube

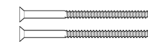


(x2) 8-32 J-box Screw 	(2x) Flat head screws 	1/8IP nut 
42" wire 	(6x) Glass 	Canopy 
(x8) Wago Connector 2 	(6x) 2" Diffuser 	Bracket 

(x2) Toggle anchor On 240V fixtures only



(x2) Wood screw On 240V fixtures only



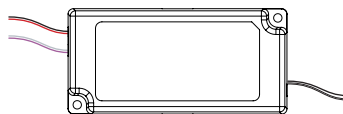
(x2) Long 8-32 screw On 240V fixtures only



(x2) Metal screw On 240V fixtures only



LED driver



SAFETY INFORMATION

Suitable for dry, indoor use only.

Maximum ambient temperature: 25°C

The light source contained in this luminaire shall only be replaced by the manufacturer or his service agent or a similar qualified person.

RUE SALA PENDANT 6 ARM | INSTALLATION

21MAR2023

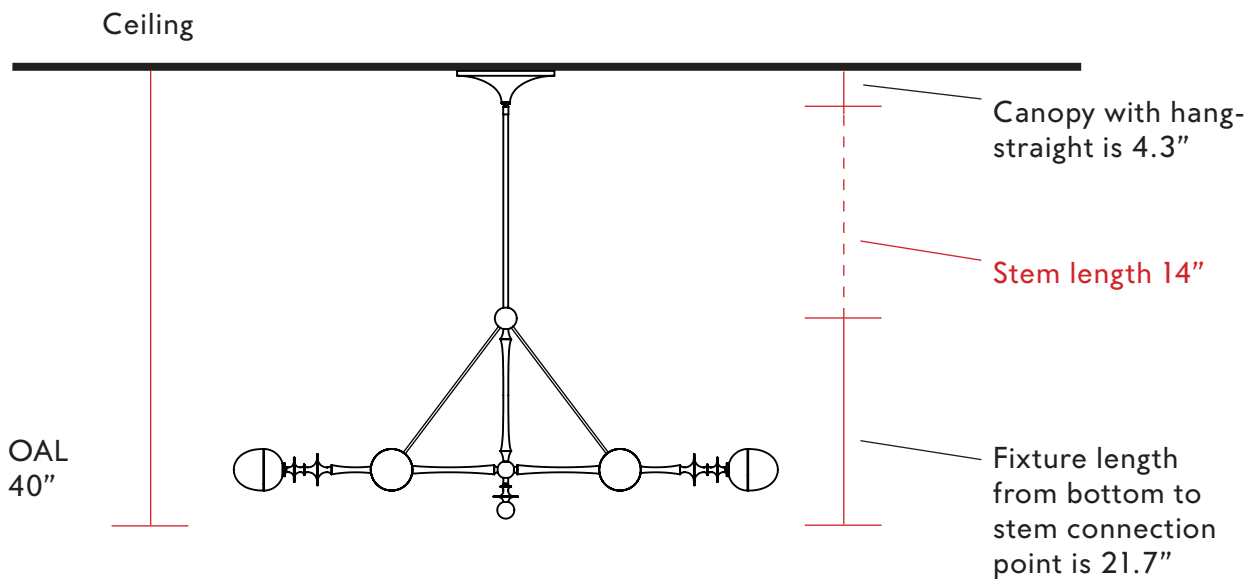
Stem and cover tube length adjustment

Note: Please contact a licensed electrician.

Example fixture only:

To measure length of stem, first determine overall length (OAL), subtract 3" for the canopy with hang-straight height and subtract the fixture height from the OAL. Fixture height is measured from bottom of the fixture to stem connection point. The resulting measurement is the final stem length.

Ex. The fixture below has an OAL of 40" and a fixture height of 21.7".
 $40'' \text{ OAL} - 4.3'' \text{ canopy} - 21.7'' \text{ fixture height} = 14'' \text{ stem}$



RUE SALA PENDANT 6 ARM | INSTALLATION

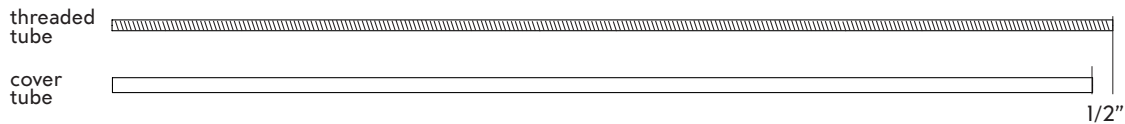
21MAR2023

Stem and cover tube length adjustment

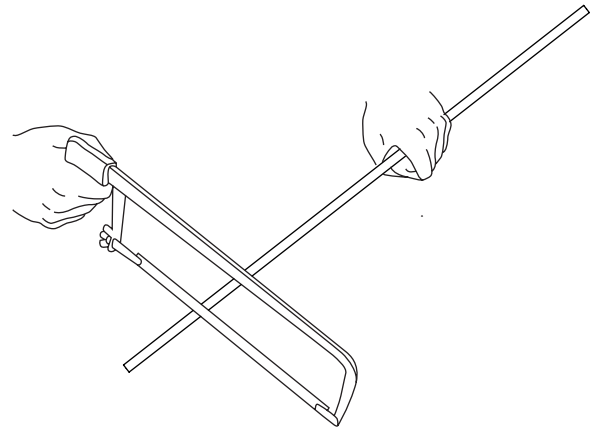
Note: Please contact a licensed electrician.

Example fixture only:

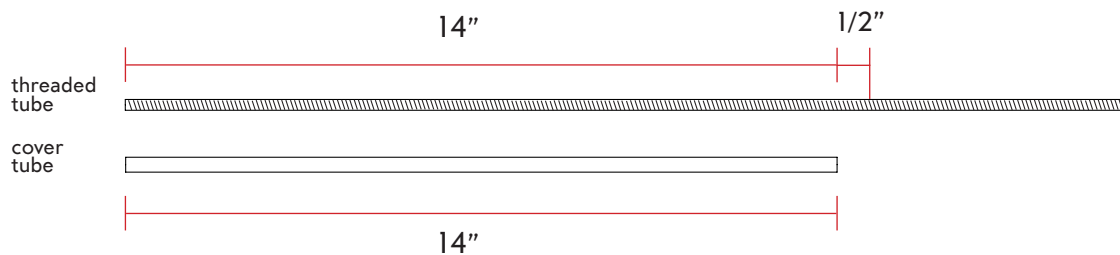
1. To customize the length of the provided stem, cut cover tube to desired length. Then cut the inner threaded tube so that it remains 1/2" longer than the cover tube.



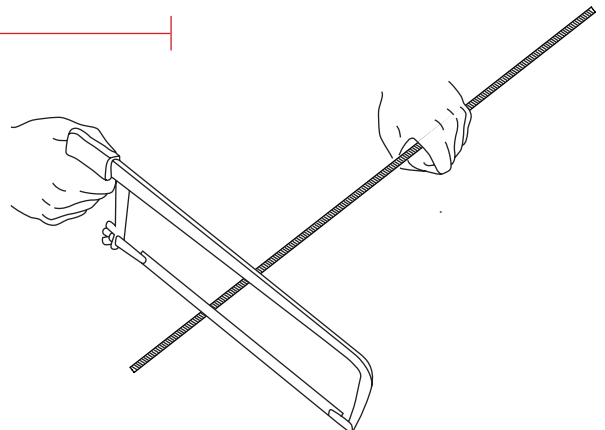
2. Mark the length of the tube required, using a marker or tape. Then hold down the tube with a hand or a clamp, use a hacksaw or electrical tool to cut the tube. Recommended to clean tube after cutting to remove any metal chippings.



3. Now that the cover tube is cut to 1", measure the all thread tube to be 14 and 1/2" long. And place a mark, with a marker or tape.



4. Hold down the all thread with a hand or a clamp, use a hacksaw or electrical tool to cut the all thread tube. Recommended to clean all thread tube after cutting to remove any metal chippings.



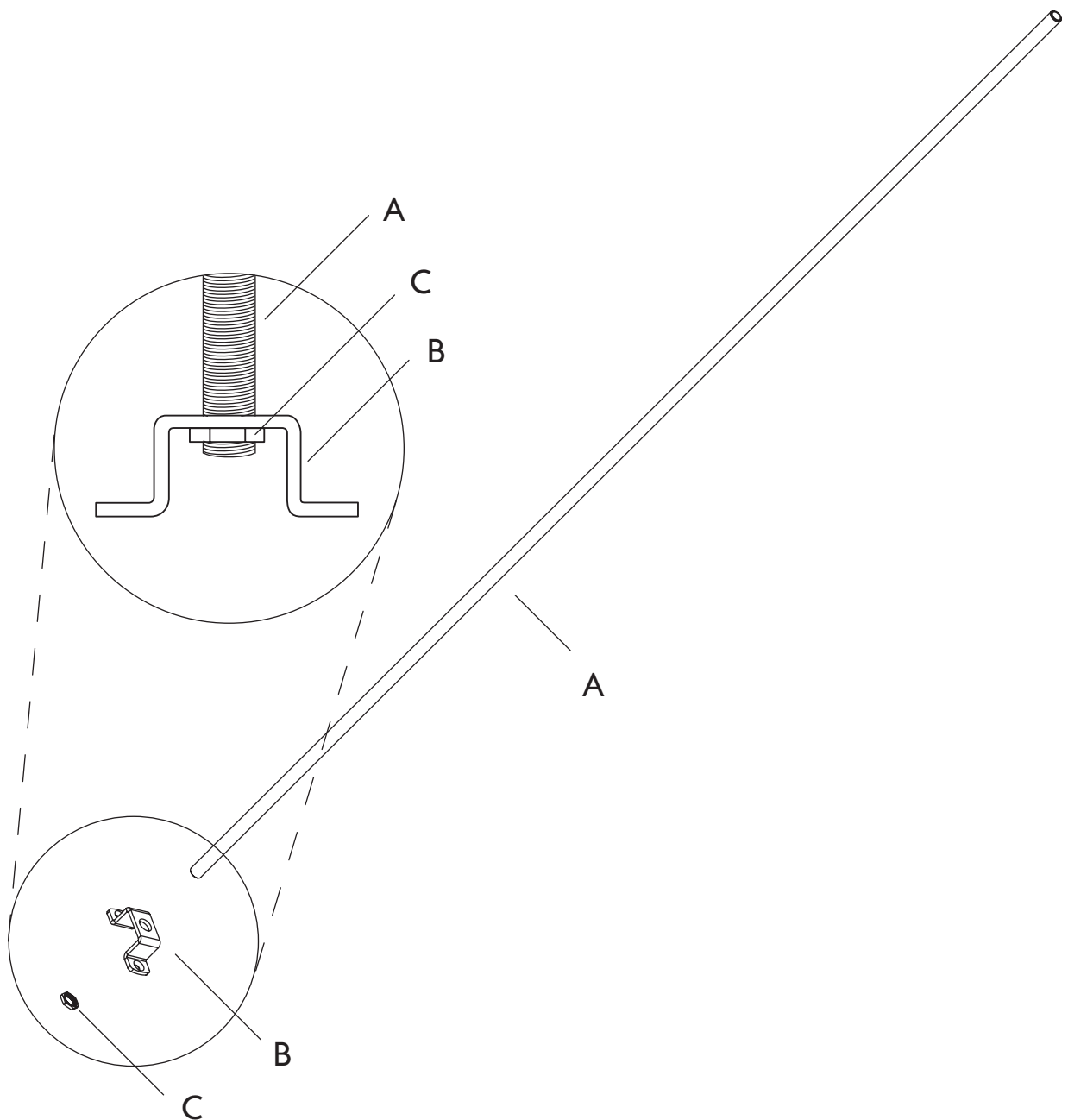
RUE SALA PENDANT 6 ARM | STEM ASSEMBLY

21MAR2023

Note: Please contact a licensed electrician.

1. Fit the threaded stem (A), into the bracket (B), and secure it with a 1/8IP nut (C).

NOTE: When assembled, there should only be one to two threads visible from the 1/8IP nut.

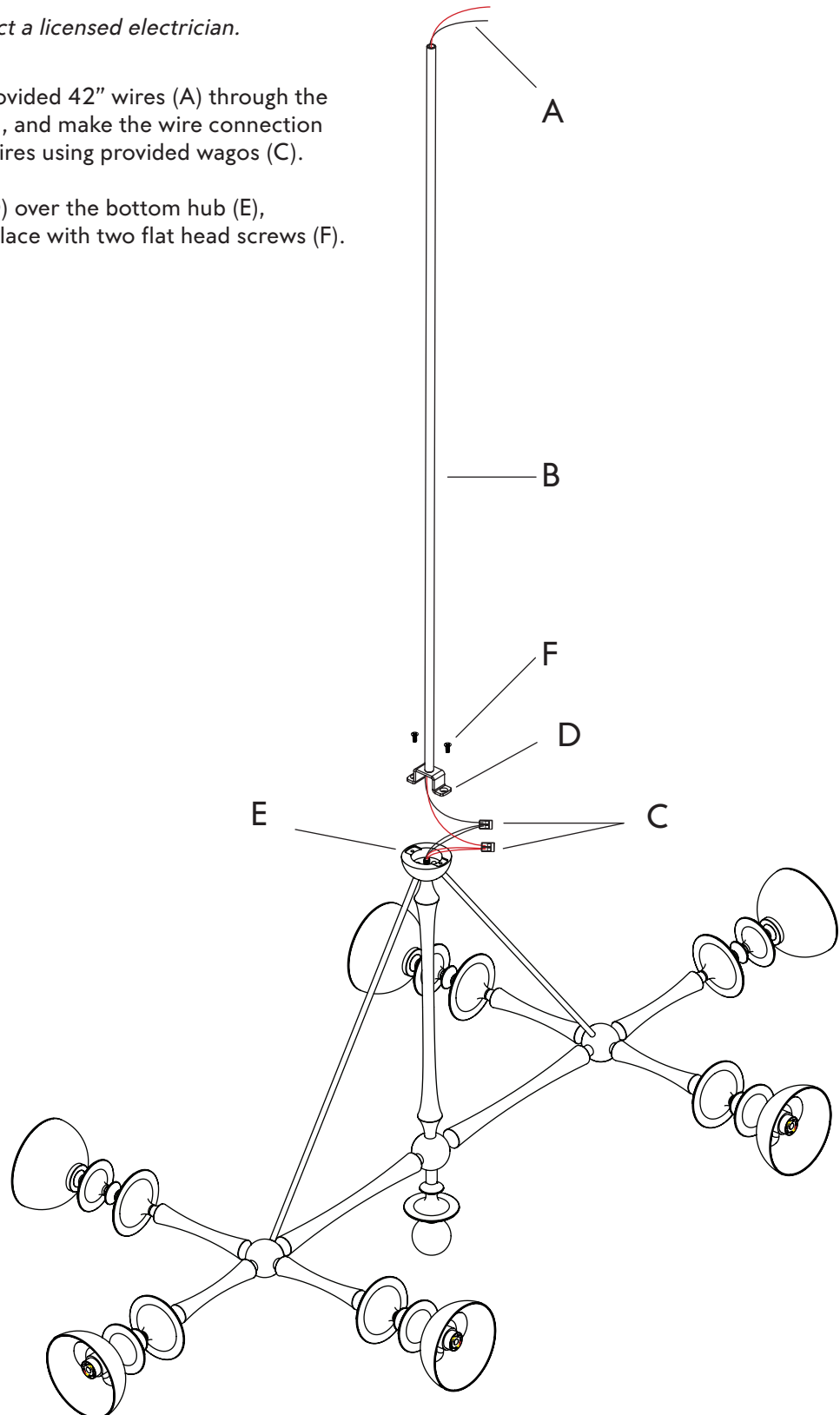


RUE SALA PENDANT 6 ARM | INSTALLATION

21MAR2023

Note: Please contact a licensed electrician.

1. Next, feed the provided 42" wires (A) through the threaded stem (B), and make the wire connection with the fixture wires using provided wagos (C).
2. Fit the bracket (D) over the bottom hub (E), and secure it in place with two flat head screws (F).

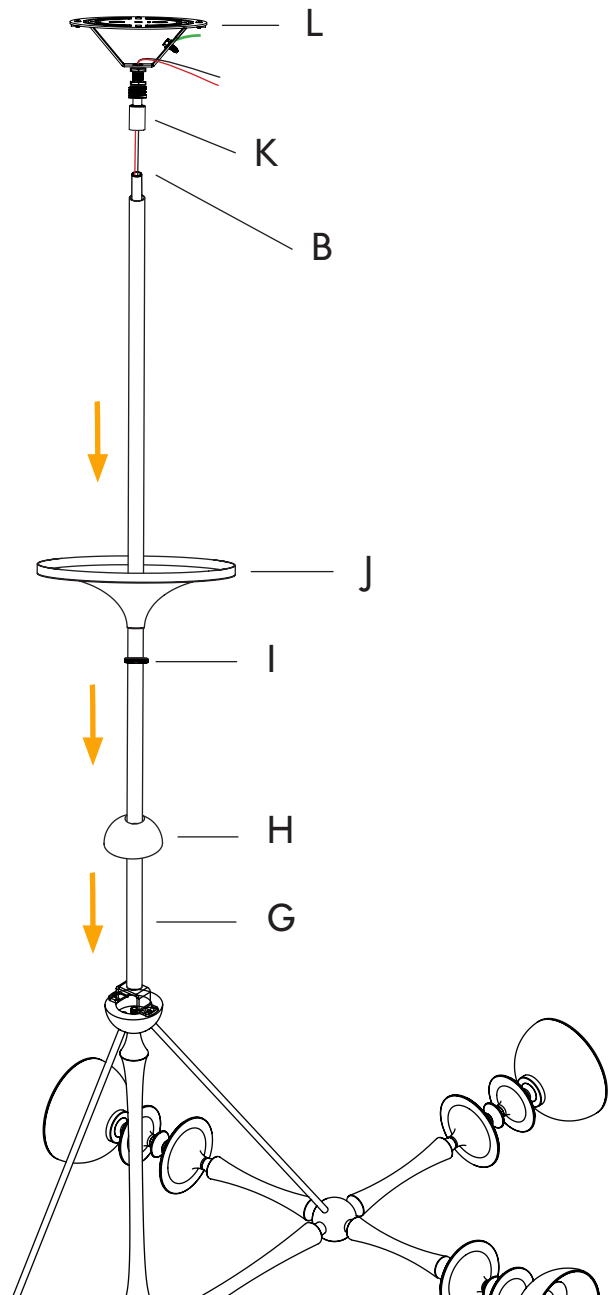


RUE SALA PENDANT 6 ARM | INSTALLATION

21MAR2023

Note: Please contact a licensed electrician.

- Slide the following part in order over the threaded stem (B).
First, cover tube (G), top hub (H), canopy nut (I), and canopy (J).
- Then feed the wired through the hang-straight (K) on the crossbar (L),
and screw in the hang-straight into the threaded stem, tightly.

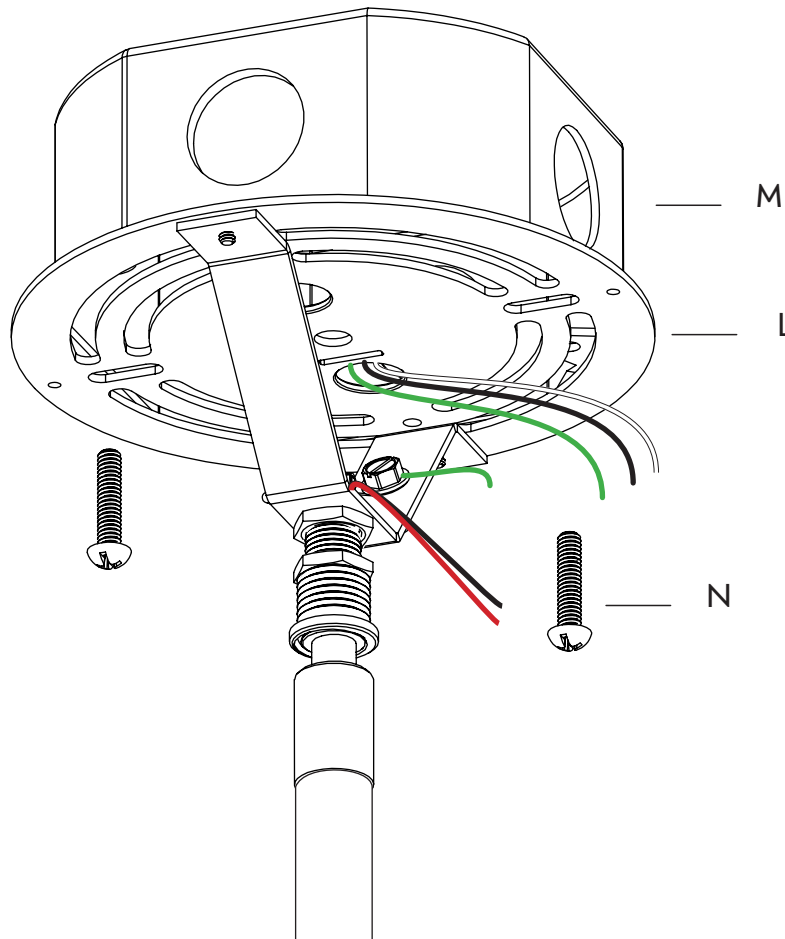


RUE SALA PENDANT 6 ARM | INSTALLATION

21MAR2023

Note: Please contact a licensed electrician.

5. Raise the crossbar assembly (L) to junction box (M), and secure with #8-32 screws (N).
Be sure to pull out the wires from the junction box, through the hole in the cross bar.

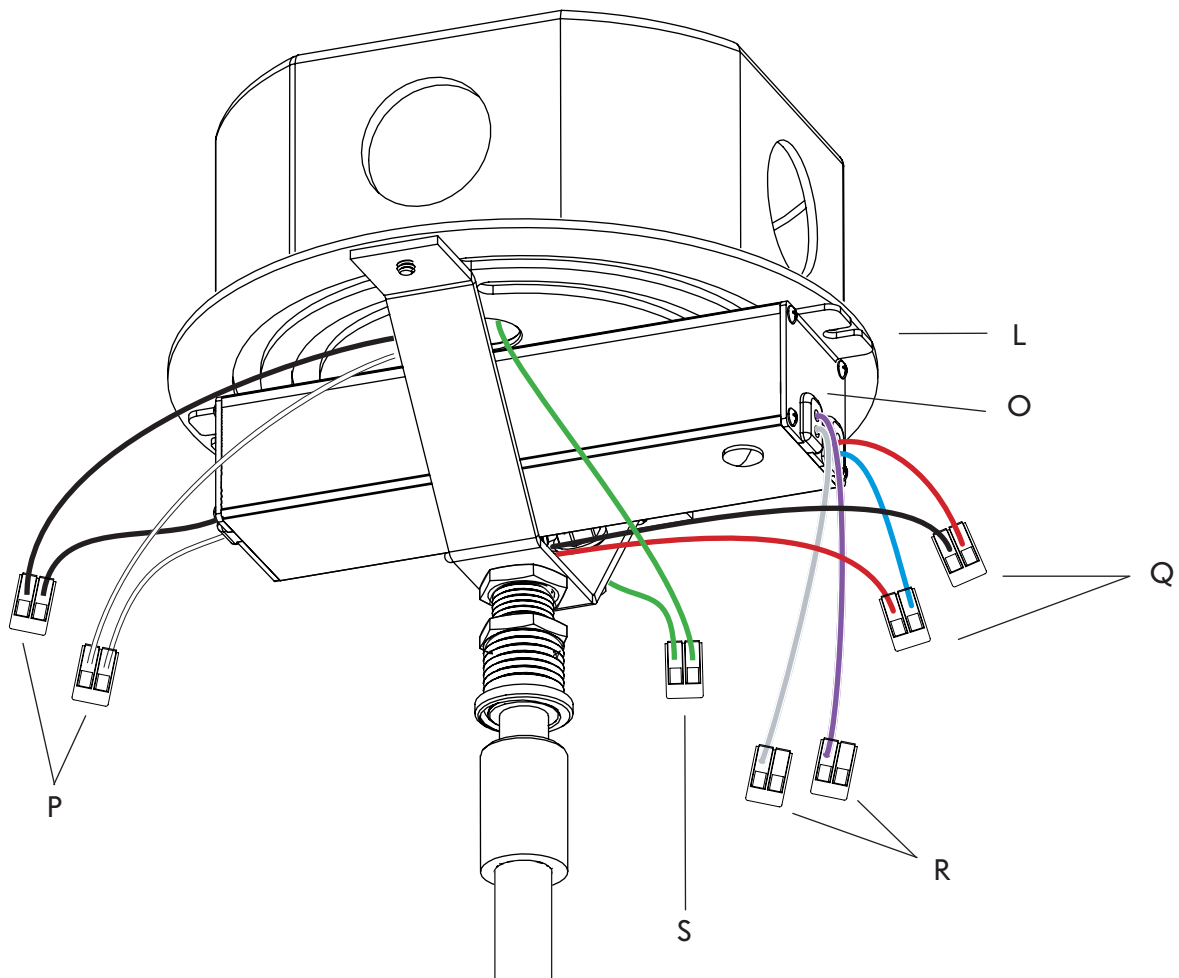


RUE SALA PENDANT 6 ARM | INSTALLATION

21MAR2023

Note: Please contact a licensed electrician.

6. Fit the driver (O) into the space in the crossbar assembly (L).
7. Make the electrical connections between the lead AC wires and the driver using the provided wago connectors (P).
8. Connect the secondary wires to the fixture using the provided wago connectors (Q)
(Optional: Connect the 0-10V dimming wires (R) as needed)
9. Connect the ground wire (S) with the provided wago connector.
10. Tuck all wires into the crossbar assembly.

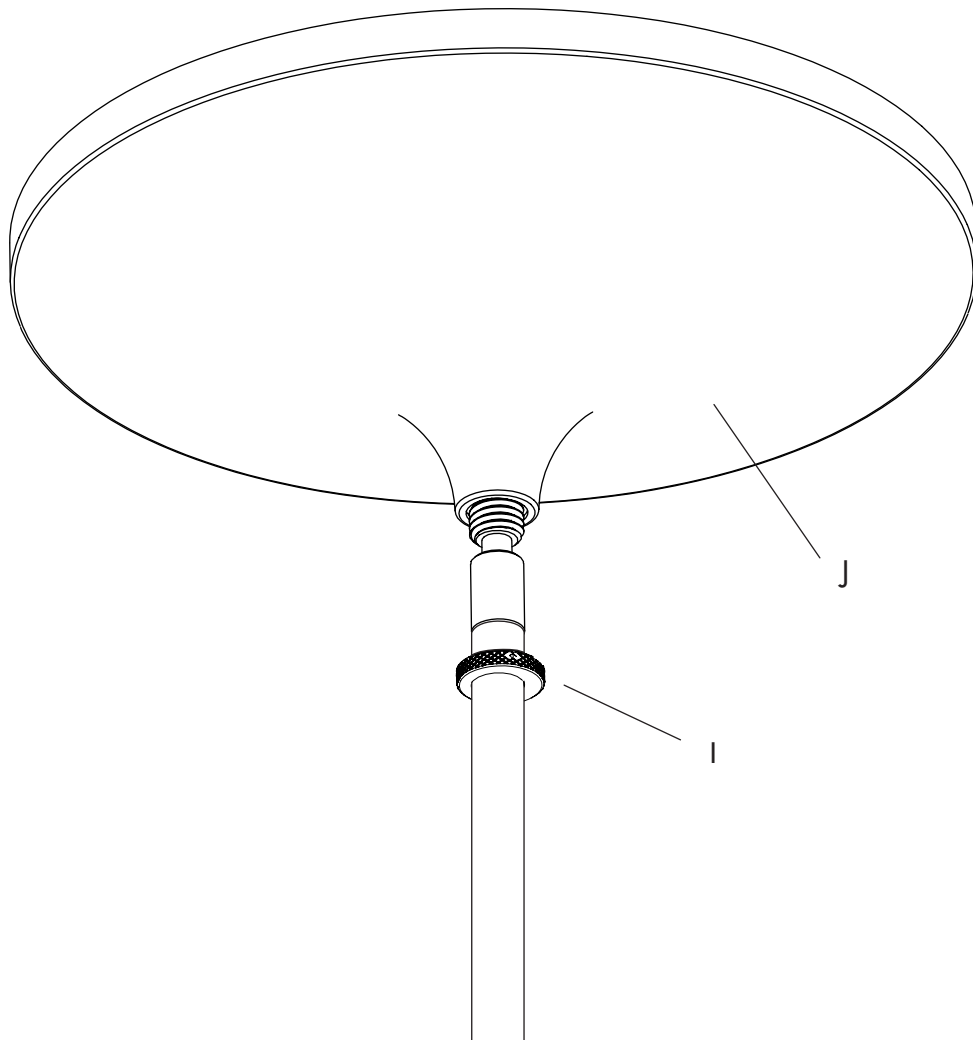


RUE SALA PENDANT 6 ARM | INSTALLATION

21MAR2023

Note: Please contact a licensed electrician.

11. Once all the wires are connected and tucked in, raise the canopy (J) over the crossbar assembly, and secure it with the hang-straight nut (I).

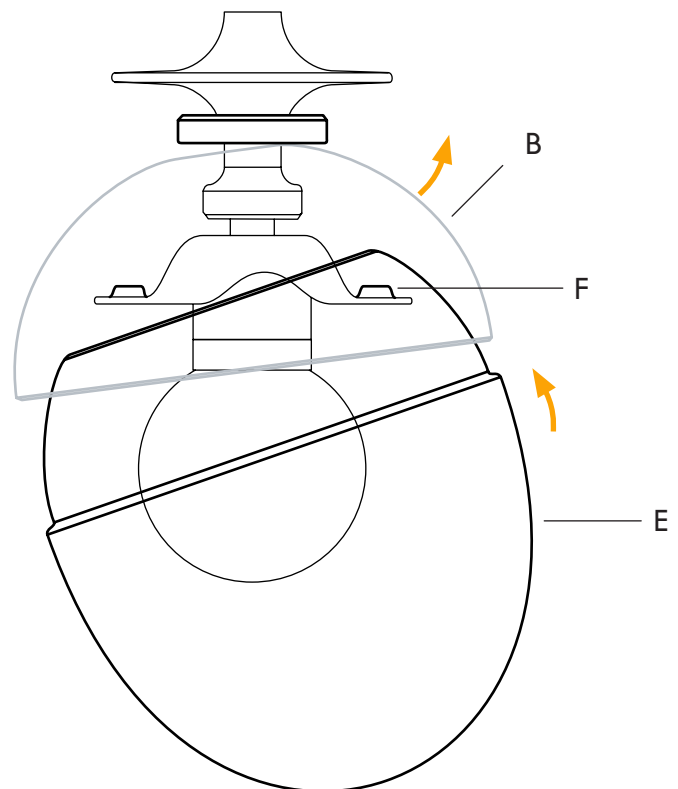
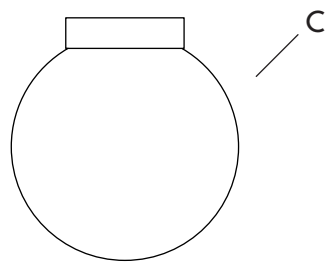
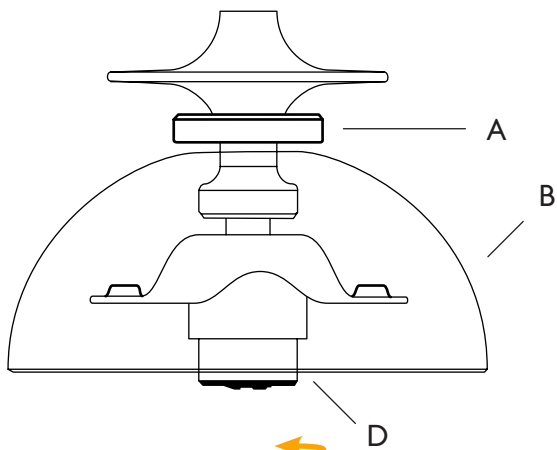


RUE SALA PENDANT 6 ARM | INSTALLATION

21MAR2023

Glass installation

1. Unscrew the threaded collar (A) to loosen the shade (B).
2. Screw on the 2" diffuser (C) onto the LED cup (D).
3. Raise the shade (B) and tilt it at a slight angle to give extra working space.
Next, fit the glass (E) at an angle over the 2" diffuser, rest the glass on the rubber pads (F).



RUE SALA PENDANT 6 ARM | INSTALLATION

21MAR2023

Glass installation

4. Once the glass (E) is resting evenly on the rubber pads (F), lower the shade (B) over the glass, and secure it in place with a threaded collar (A).
5. Repeat glass installation as needed.

