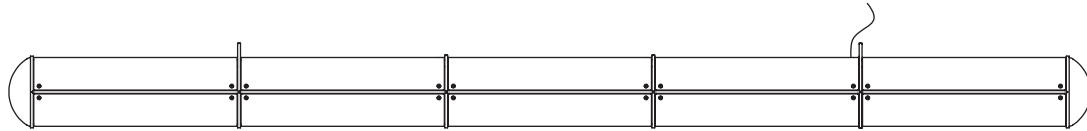





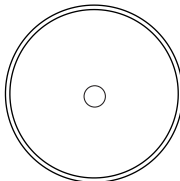




## CONTENTS

---

Endless 5



<p>Nipple (2)</p> 	<p>8-32 Screw (2)</p> 	<p>Hangstraight (2)</p> 	<p>Stem with cover tube(2)</p> 
<p>Cross Bar (2)</p> 	<p>Canopy (2)</p> 	<p>Hook (2)</p>  <p>Wago Connector (5)</p> 	

## SAFETY INFORMATION

---

Only suitable for direct mounting on non-combustible surfaces.  
Under no circumstances can Endless be mounted on normally flammable surfaces.  
Suitable for dry, indoor use only.  
Maximum ambient temperatures: 25° C

## ENDLESS 5 | PREPARING CEILING INSTALLATION

---

*Note: Please contact a licensed electrician.*

1. Endless fixtures with 1-9 units will be configured by Roll & Hill to have either 2 or 3 hanging points. Segments with hanging points can be clearly identified by their teardrop shaped hardware. Each unit is exactly 18" long.

Standard hanging point spacing:

Endless 5: 54"



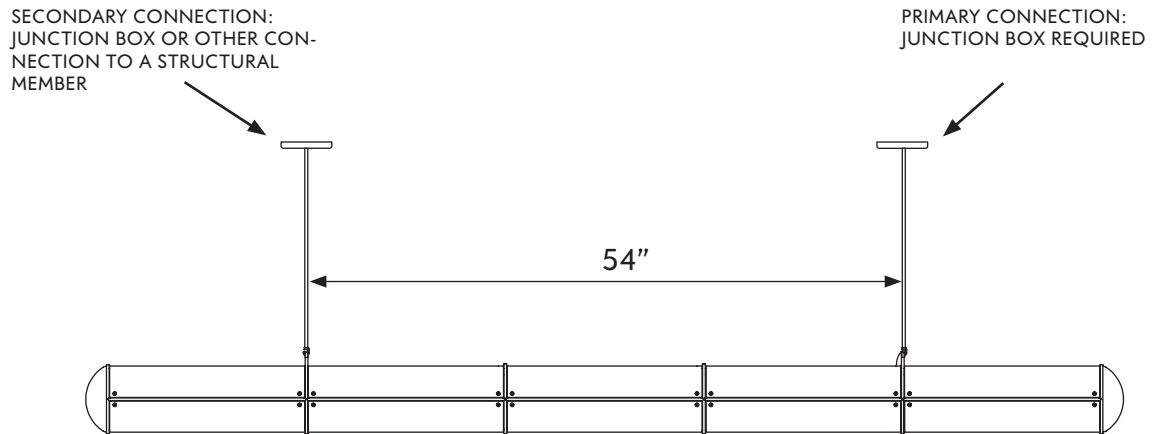
- 
2. One hanging point, referred to from here forward as the 'primary hanging point' requires connection to a junction box. Junction boxes are to be placed on center of the designated hanging point. The primary hanging point is the only hanging point with an associated power cable.

Additional hanging points, from here forward referred to as 'secondary hanging points' can be mounted to a junction box, or simply to the finished ceiling if it is able to anchor into a structural member. For safety, all hanging points, junction box or finished ceiling points must be able to support 50 pounds of dead weight.

## ENDLESS 5 | PREPARING CEILING INSTALLATION

---

Standard 5 unit configuration with hanging points separated by 3 units:



## Stem and cover tube length adjustment

---

*Note: Please contact a licensed electrician.*

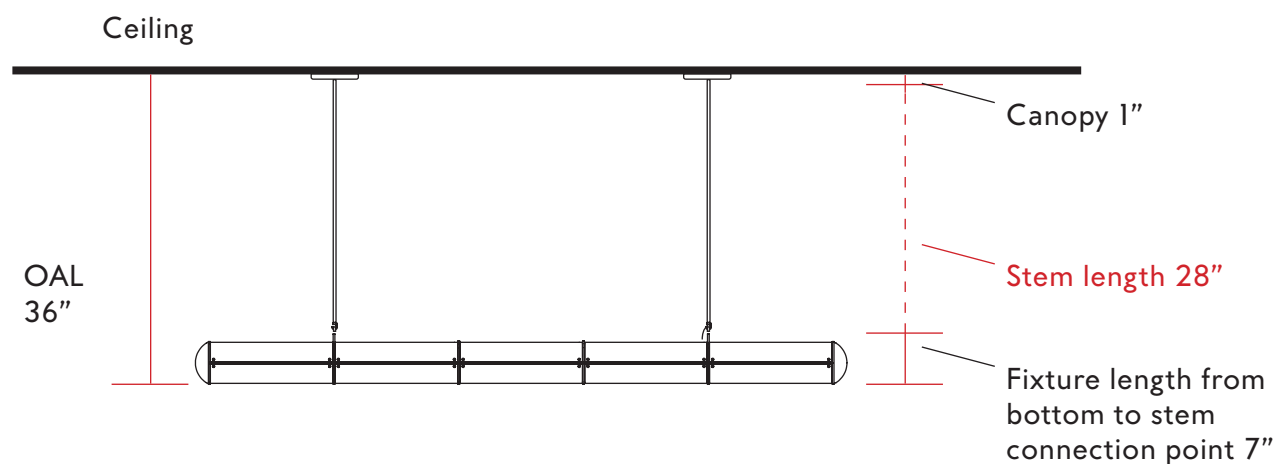
### Example fixture only:

To measure length of stem, first determine overall length (OAL), subtract 1" for the canopy height and subtract the fixture height from the OAL. Fixture height is measured from bottom of the fixture to stem connection point.

The resulting measurement is the final stem length.

Ex. The fixture below has an OAL of 36" and a fixture height of 7".

$$36'' \text{ OAL} - 1'' \text{ canopy} - 7'' \text{ fixture height} = 28'' \text{ stem}$$



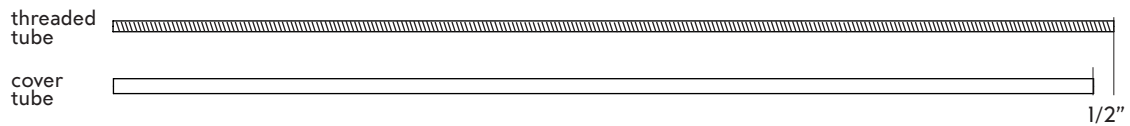
## Stem and cover tube length adjustment

---

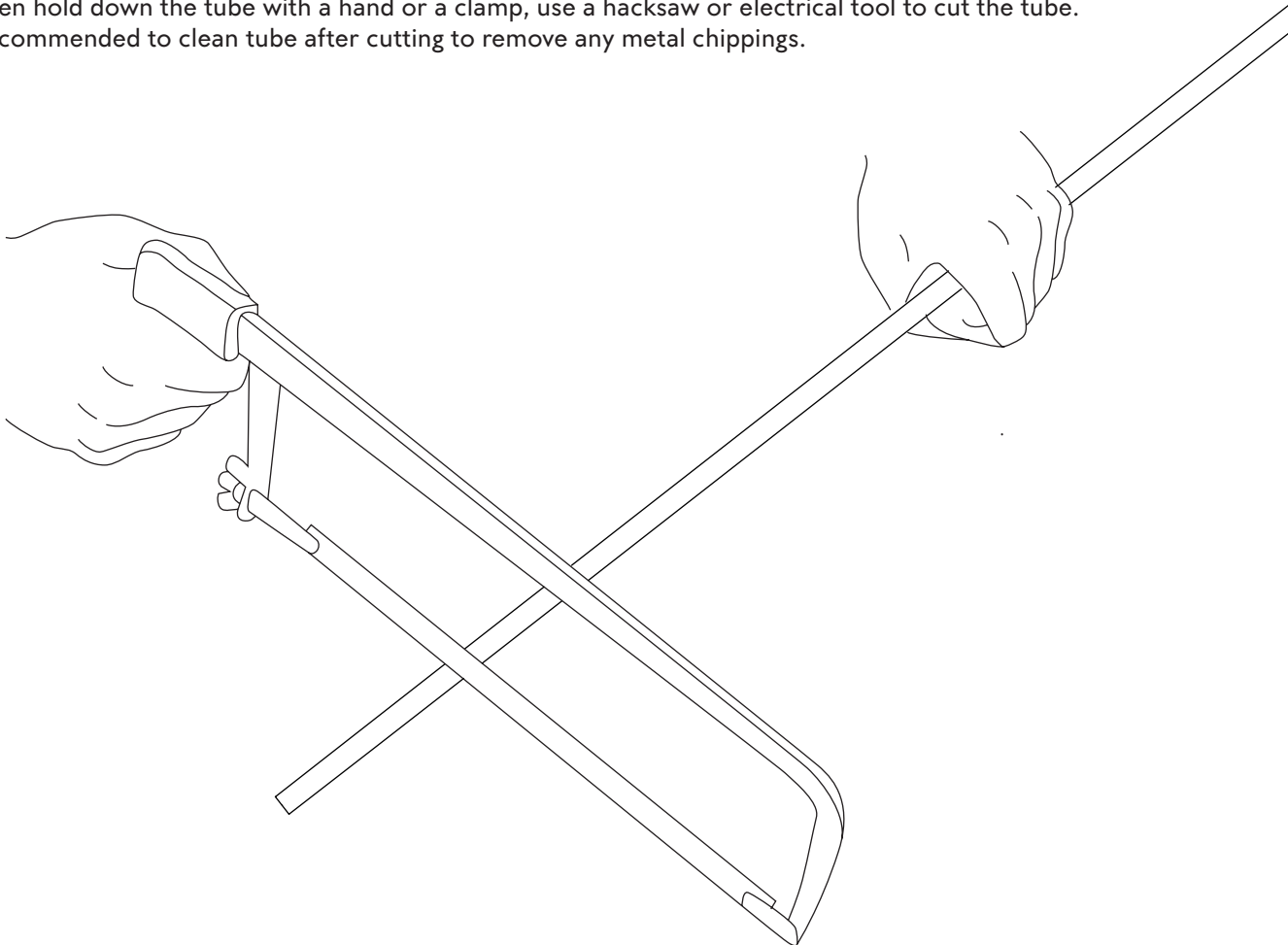
*Note: Please contact a licensed electrician.*

### Example fixture only:

1. To customize the length of the provided stem, cut cover tube to desired length.  
Then cut the inner threaded tube so that it remains 1/2" longer than the cover tube.



2. Mark the length of the tube required, using a marker or tape.  
Then hold down the tube with a hand or a clamp, use a hacksaw or electrical tool to cut the tube.  
Recommended to clean tube after cutting to remove any metal chippings.



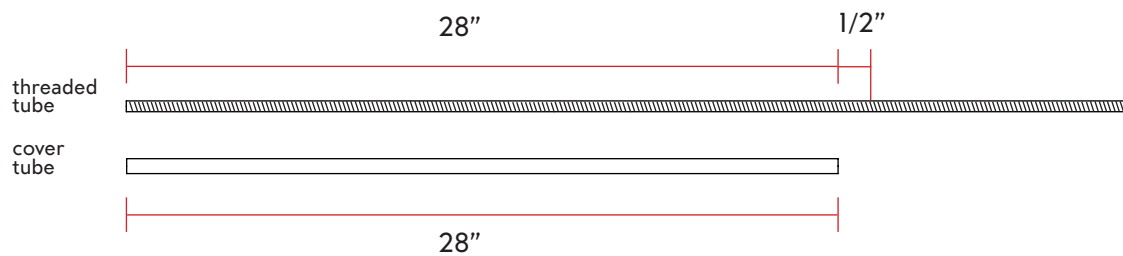
## Stem and cover tube length adjustment

---

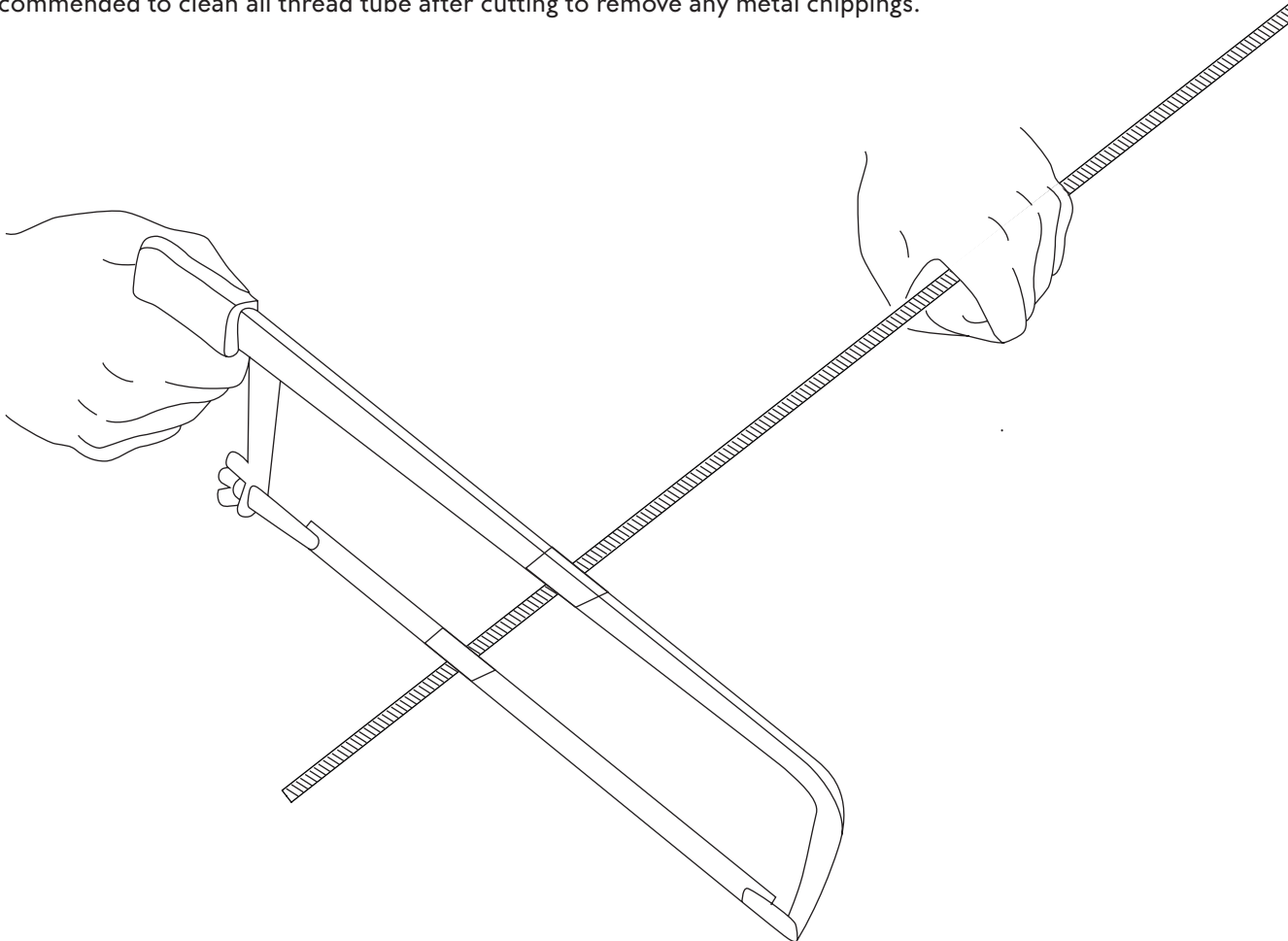
*Note: Please contact a licensed electrician.*

### Example fixture only:

- Now that the cover tube is cut to 28", measure the all thread tube to be 21 and 1/2" long. And place a mark, with a marker or tape.



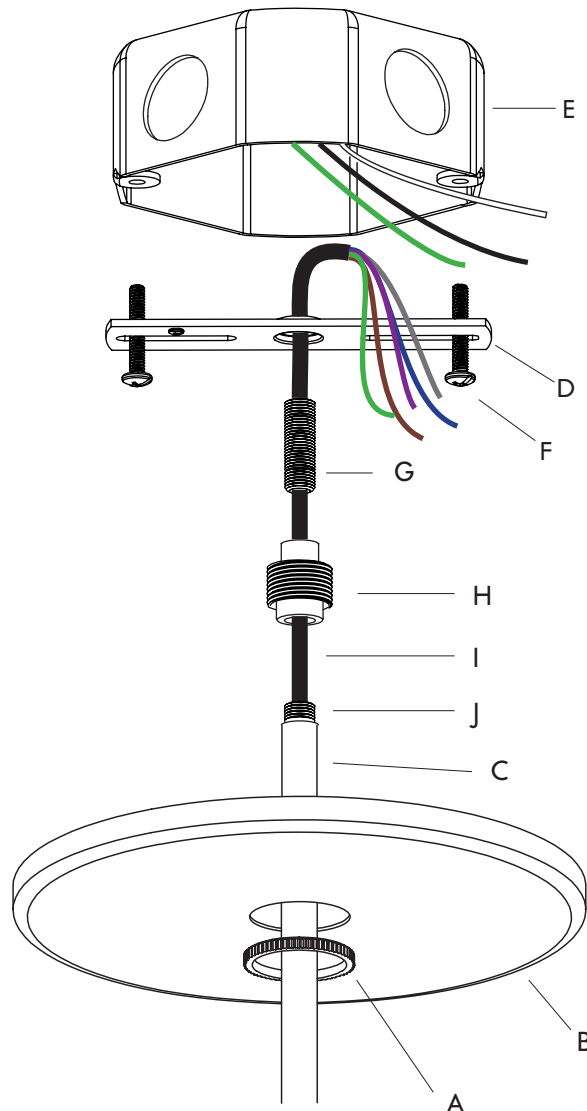
- Hold down the all thread with a hand or a clamp, use a hacksaw or electrical tool to cut the all thread tube. Recommended to clean all thread tube after cutting to remove any metal chippings.



## ENDLESS 5 | INSTALLING CEILING HARDWARE

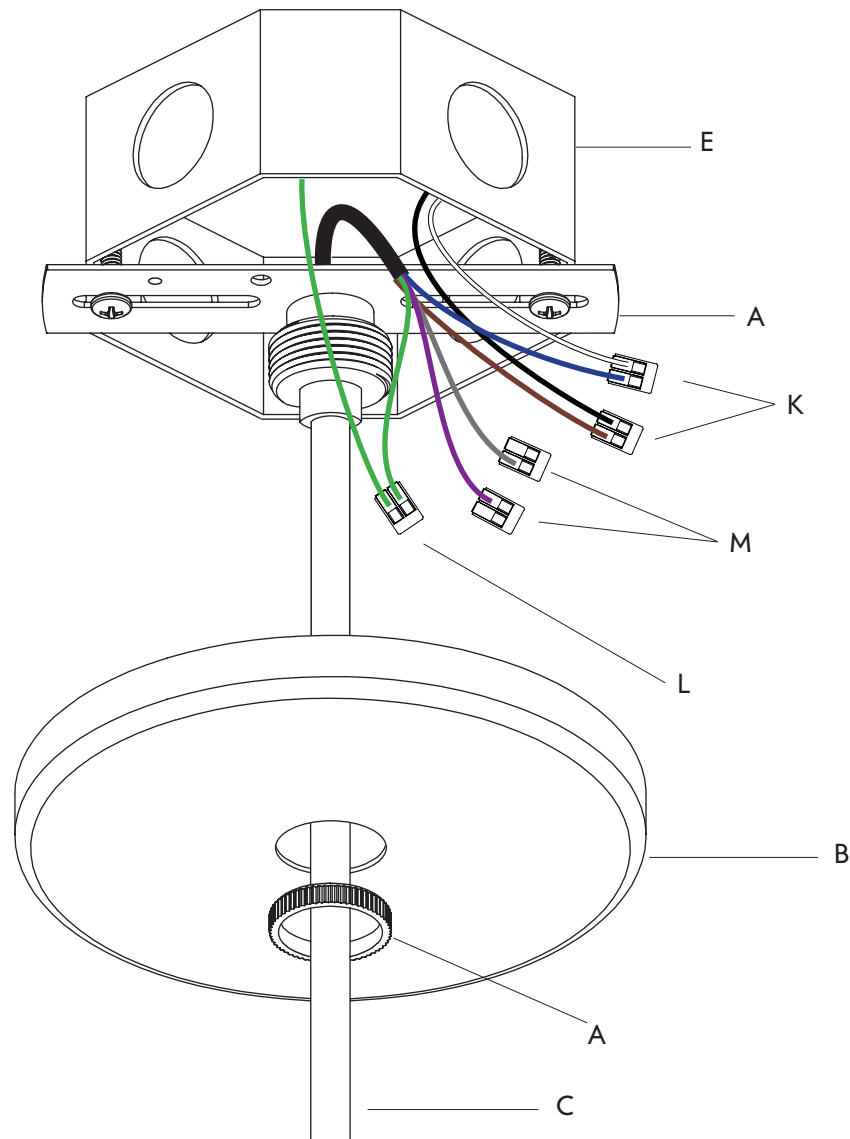
Note: Each Endless unit has 1 primary hanging point requiring a junction box where electrical connections are made, and 1 or more secondary hanging points. Please review both connection types before installing ceiling hardware.

1. For the primary hanging point. Slide the hangstraight nut (A) and the canopy (B) on to the stem (C).
2. Secure the crossbar (D) to the J-box (E) with provided screws (F).
3. Screw in 1" nipple (G) in to the center hole in crossbar (D). Then screw in the hangstraight (H) on to the nipple (G).
4. Feed the cord (I) from the stem (C), through the hangstraight (H) and 1" nipple (G), into the J-box.



## ENDLESS 5 | INSTALLING CEILING HARDWARE

5. Pull the wires out of the J-box and use 2 port wago's to connect the lead wires from fixture (H), and green ground wire (L). Optional: 0-10V dimming wires, purple and gray (M), (be sure to use a cap/wago on wires if not in use, crossing these wires could turn off the light). Tuck all the wires back into the junction box.
6. Raise the canopy (B) and hang straight nut (A). Thread the nut onto the hang straight, pushing the canopy flush to the ceiling.





## ENDLESS 5 | INSTALLING CEILING HARDWARE

---

7. Install secondary hanging point anchor or crossbar. Secondary hanging points do not require junction boxes. If a connection to a junction box is made, repeat steps 1-3. It is recommended to use the ground strap using the green #8 screw and a wire nut. If a junction box is not installed, the crossbar can be installed into a structural member able to support a minimum of 50 pounds. The 8-32 screws may need to be replaced with other appropriate fasteners such as wood or concrete screws. Fasteners must be able to support 50 pounds when installed.
8. There will be no lead to feed through the secondary hanging stem. Simply attach the hook onto the hanging plate.

## HANGING FIXTURE TO HARDWARE

---

1. Lift the Endless fixture into place under the installed hanging points. This will require a minimum of two people. It is recommended to leave the protective foam in place to reduce the risk of damage to the fixture's surface. Attach the hooks onto the hanging plates and make sure they are secured. The black lead wire will need to be fed through the primary hanging stem up to the junction box.
2. Ensure the hooks are properly engaged by applying gentle pressure.

