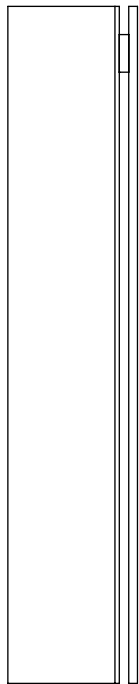


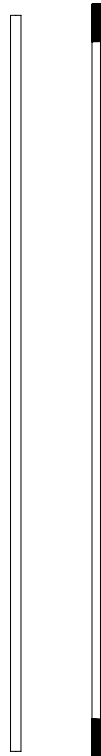
## CONTENTS

---

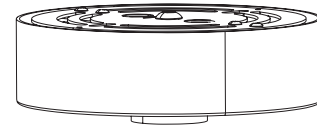
Delta 18" Pendant



36" Stem and  
Threaded Tube



Canopy with cross-bar assembly



(x2) #8-32  
Screws



(x3) Wago Connector



## SAFETY INFORMATION

---

Only one light bulb per socket.

Only suitable for direct mounting on non-combustible surfaces.

Under no circumstances can Delta 18" Pendant be mounted on normally flammable surfaces.

Suitable for dry, indoor use only.

Maximum ambient temperatures: 25° C

## DELTA 18" PENDANT | INSTALLATION

---

Stem and cover tube length adjustment

*Note: Please contact a licensed electrician.*

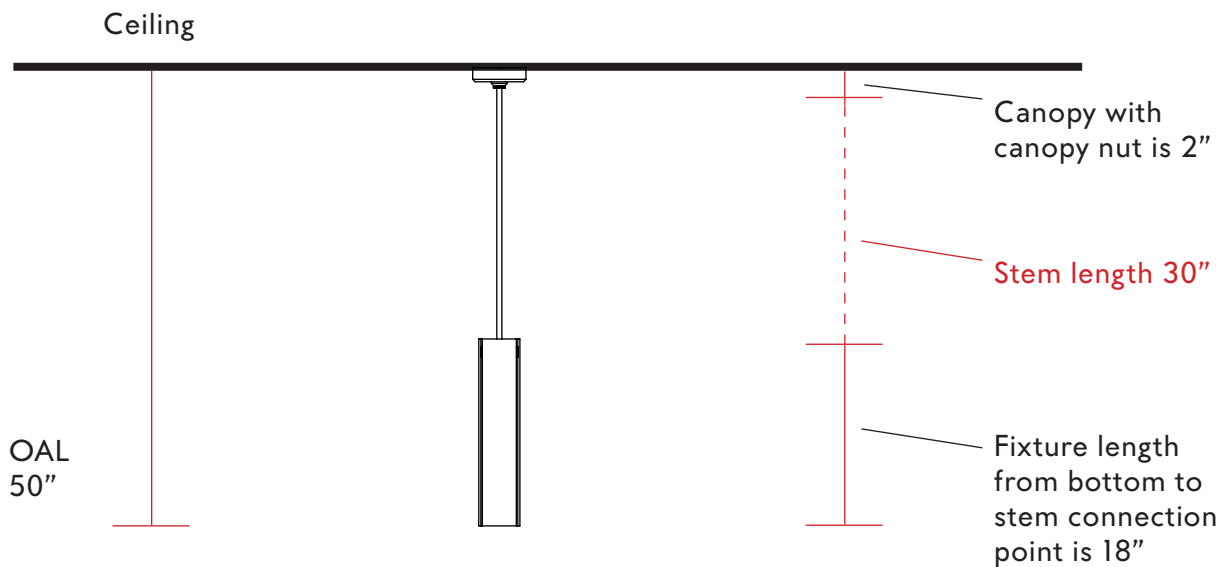
### Example fixture only:

To measure length of stem, first determine overall length (OAL), subtract the canopy with hang-straight height and subtract the fixture height from the OAL.

Fixture height is measured from bottom of the fixture to stem connection point. The resulting measurement is the final stem length.

Ex. The fixture below has an OAL of 50" and a fixture height of 18".

$$50'' \text{ OAL} - 2'' \text{ canopy} - 18'' \text{ fixture height} = 30'' \text{ stem}$$



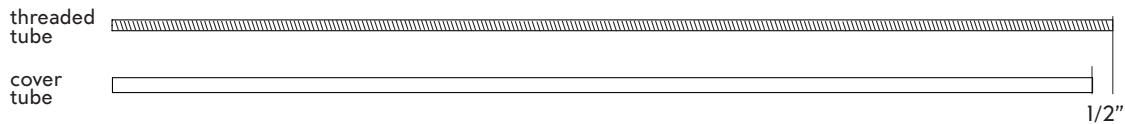
## DELTA 18" PENDANT | INSTALLATION

### Stem and cover tube length adjustment

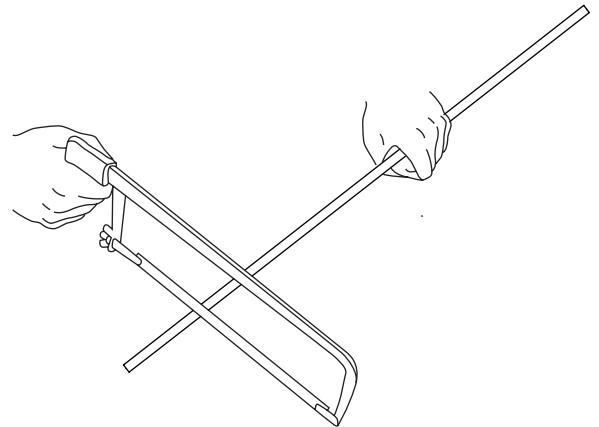
*Note: Please contact a licensed electrician.*

#### Example fixture only:

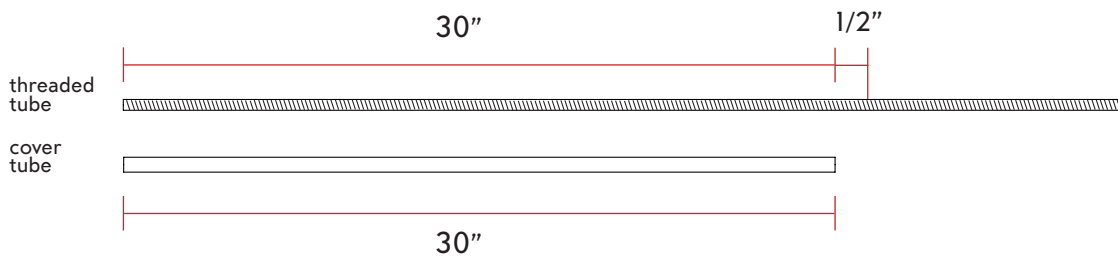
1. To customize the length of the provided stem, cut cover tube to desired length. Then cut the inner threaded tube so that it remains 1/2" longer than the cover tube.



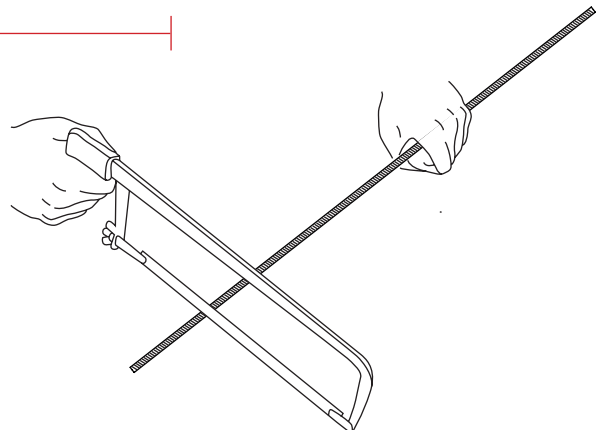
2. Mark the length of the tube required, using a marker or tape. Then hold down the tube with a hand or a clamp, use a hacksaw or electrical tool to cut the tube. Recommended to clean tube after cutting to remove any metal chippings.



3. Now that the cover tube is cut to 30", measure the all thread tube to be 30 and 1/2" long. And place a mark, with a marker or tape.



4. Hold down the all thread with a hand or a clamp, use a hacksaw or electrical tool to cut the all thread tube. Recommended to clean all thread tube after cutting to remove any metal chippings.

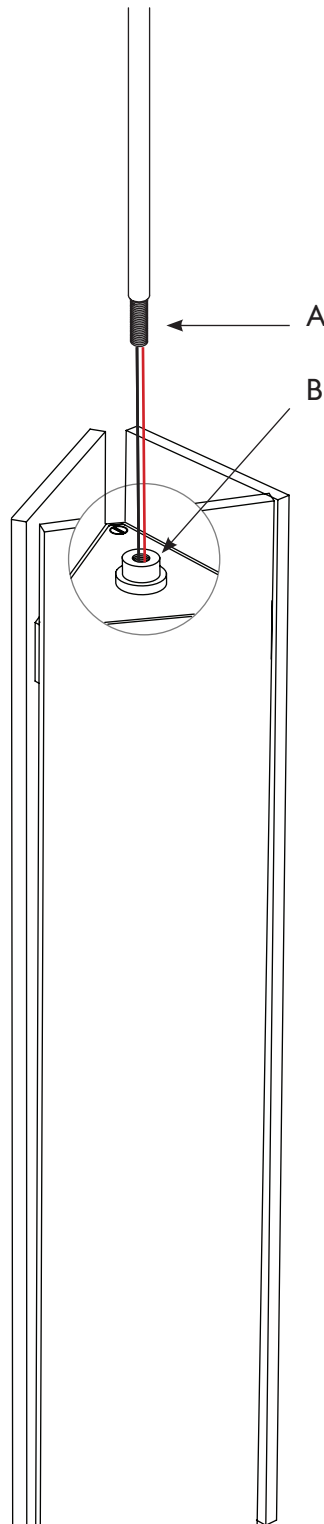


## DELTA 18" PENDANT | INSTALLATION

---

*Note: Please contact a licensed electrician.*

1. After cutting the threaded rod and cover tube (A) to desired length, screw in the threaded rod into the hub cap (B). Be sure to feed the wires through first.

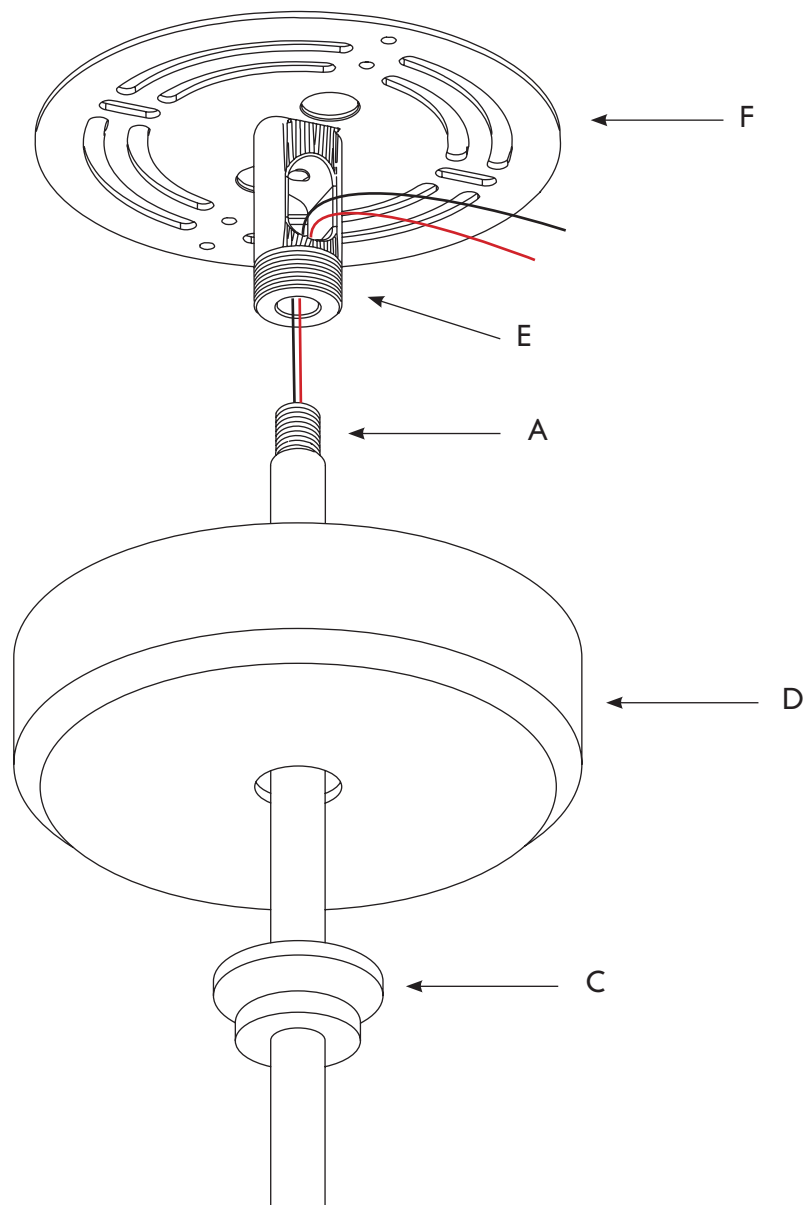


## DELTA 18" PENDANT | INSTALLATION

---

*Note: Please contact a licensed electrician.*

2. First, slide the canopy nut (C) and canopy (D) onto the thread rod and cover tube (A).
3. Then feed the wires through the hickey (E) on the crossbar assmby (F), and screw in the threaded rod (A) in to the hickey (E).

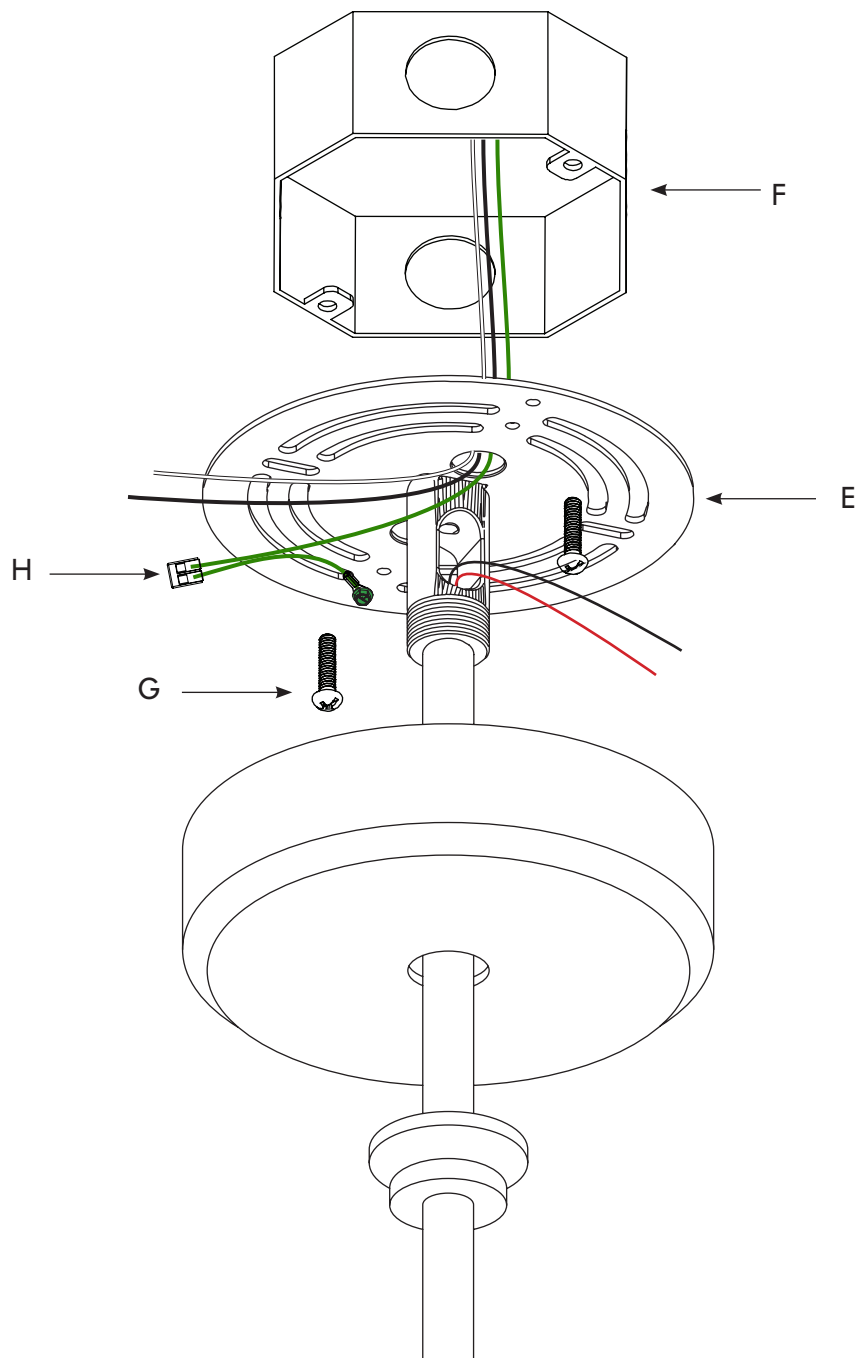


## DELTA 18" PENDANT | INSTALLATION

---

*Note: Please contact a licensed electrician.*

4. Raise the crossbar assembly (E) to the crossbar (F), be sure to pull the wires out through one of the openings. Then secure with two 8-32 screws (G).
5. Make the ground wire connection using the provided 2 port wago (H).



## DELTA 18" PENDANT | INSTALLATION

*Note: Please contact a licensed electrician.*

6. Connect the LED driver (I), first the lead wires from J-box using the provided 2 port wagos (J).
7. Then the secondary wires from the fixture using the provided 2 port wagos (K).  
(Optional: Connect the 0-10 dimming wires (L) as needed)
8. Fit the LED driver and the wires inside the canopy (C), raise it over the crossbar assembly, and secure it with canopy nut (B).

