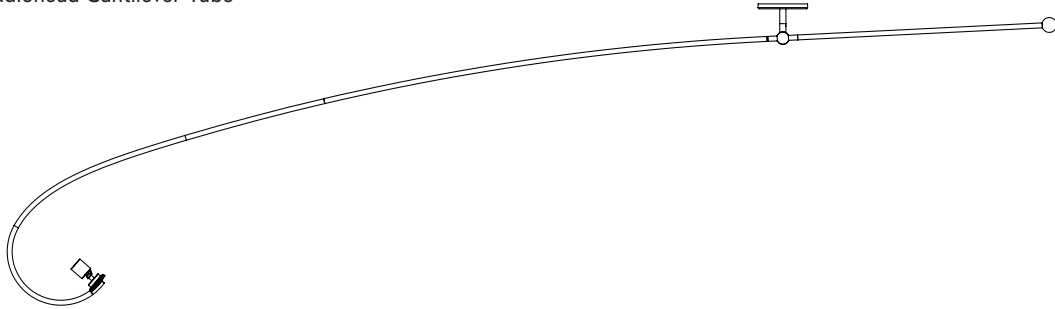
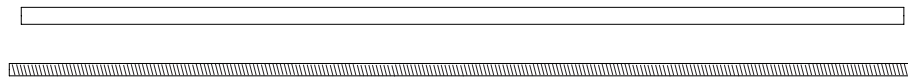


CONTENTS

Fiddlehead Cantilever Tube



Stem and cover tube



<p>Globe</p>	<p>Collar</p>	<p>Canopy</p>	<p>Crossbar</p>	
<p>A19 Bulb</p> <p>LED Bulb 120V (bulbs included)</p> <p>LED Bulb 240V (bulbs not included)</p>	<p>Lock-washer</p>	<p>Nut</p>	<p>Wago Connector (3)</p>	<p>Threaded Nipple</p>
	<p>Plastic Washer</p>	<p>8-32 Finished Screws (2)</p>	<p>8-32 Crossbar Screws (2)</p>	

SAFETY INFORMATION

Only one light bulb per socket.
 Only suitable for direct mounting on non-combustible surfaces.
 Under no circumstances can Fiddlehead Cantilever be mounted on normally flammable surfaces.
 Suitable for dry, indoor use only.
 Maximum ambient temperatures: 25° C

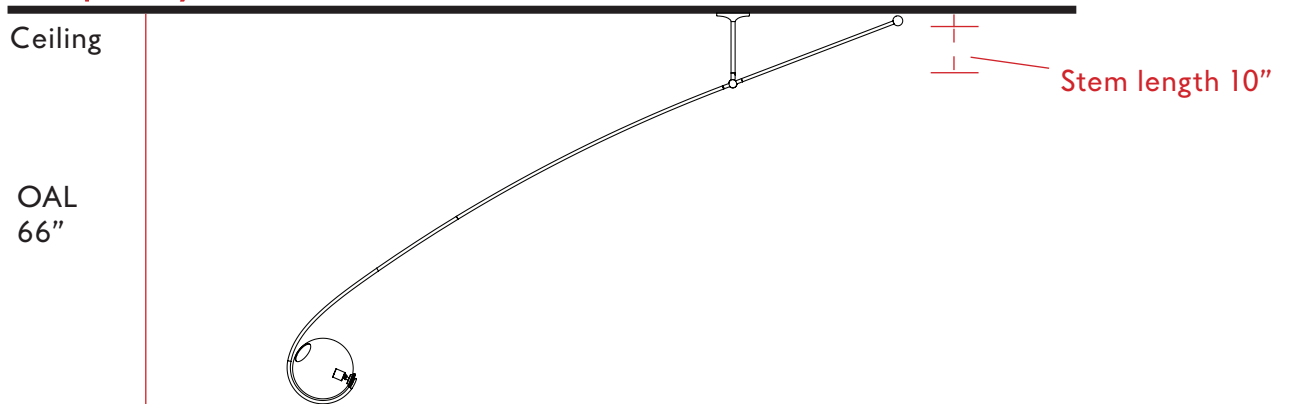
FIDDLEHEAD CANTILEVER | Stem and cover tube length adjustment

Note: Please contact a licensed electrician.

1. Measure the desired drop length (OAL) of your fixture from the ceiling.
Table below shows a few examples of OAL based on 5inch stem increments.

OVER ALL LENGTH (OAL)	STEM LENGTH
34" (Min OAL)	No Stem
50"	5"
66"	10"
82" (Max OAL)	15"

Example only:



Apply the following formula to find the stem length for desired OAL

X = Over all length between 34 and 82

Y = Stem length

$$(X - 34) / 3.2 = Y$$

Ex. The desired OAL (X) is 66inches, $(66-34) / 3.2 = 10$

The stem length should be approx. 10 inches.

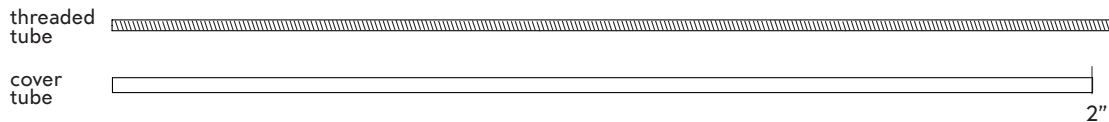
NOTE: The OAL is an approximate, as the weight of the glass can vary, resulting in changing the OAL by approx. ± 1 inch

FIDDLEHEAD CANTILEVER | Stem and cover tube length adjustment

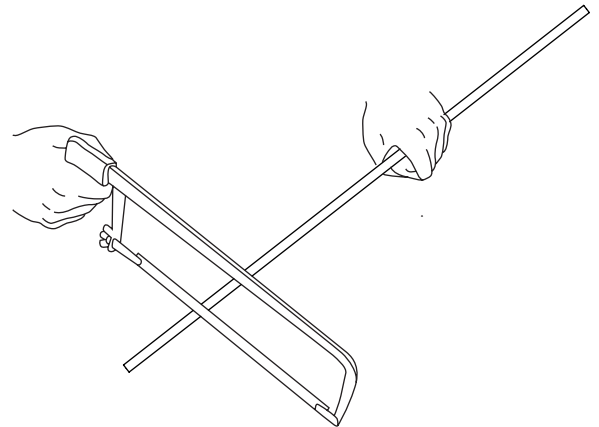
Note: Please contact a licensed electrician.

Example only:

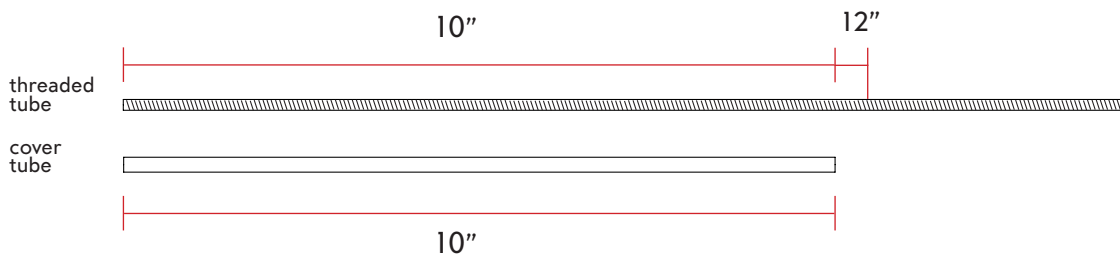
2. To customize the length of the provided stem, cut cover tube to desired length. Then cut the inner threaded tube so that it remains 2" longer than the cover tube.



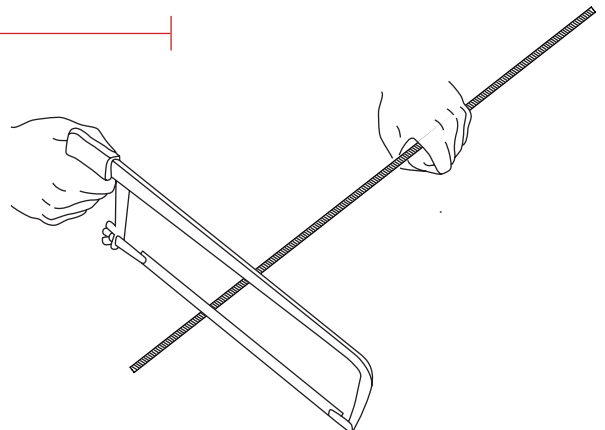
3. Mark the length of the tube required, using a marker or tape. Then hold down the tube with a hand or a clamp, use a hacksaw or electrical tool to cut the tube. Recommended to clean tube after cutting to remove any metal chippings.



4. Now that the cover tube is cut to 10", measure the all thread tube to be 10 plus 2" long (12"). And place a mark, with a marker or tape.



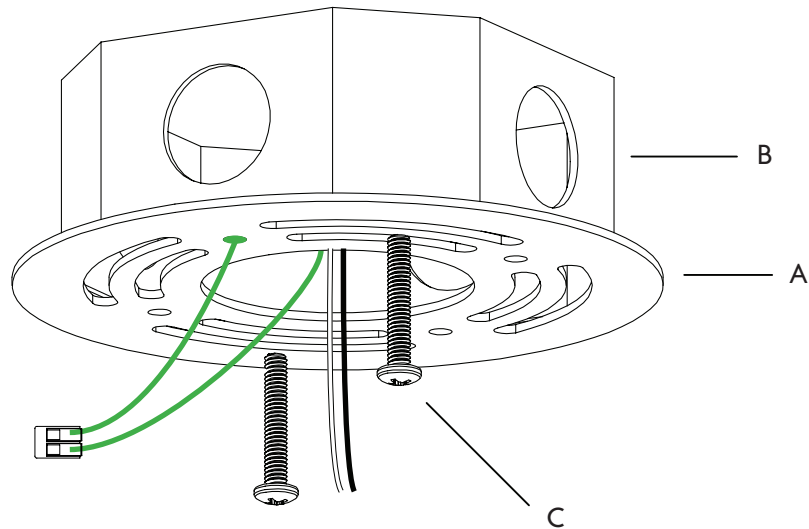
5. Hold down the all thread with a hand or a clamp, use a hacksaw or electrical tool to cut the all thread tube. Recommended to clean all thread tube after cutting to remove any metal chippings.



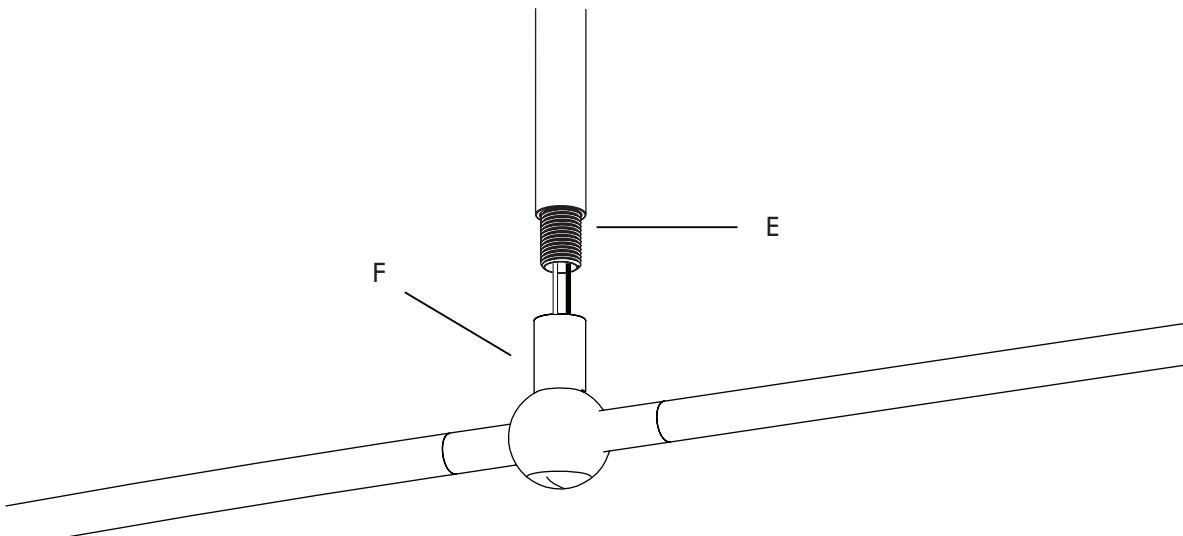
FIDDLEHEAD CANTILEVER | CEILING INSTALLATION

*Note: Please contact a licensed electrician.
Note: Do not use bulbs that exceed 60 watts.*

1. Attach the crossbar (A) to the J-box (B) using the provided screws (C).
2. Make the ground wire connection with the provided 2 port wago (D). Then tuck the wires into the J-box.



3. After cutting the stem and cover tube (E) to desired drop length, screw in the stem and cover tube into the swivel ball (F). Be sure to feed the wires through.

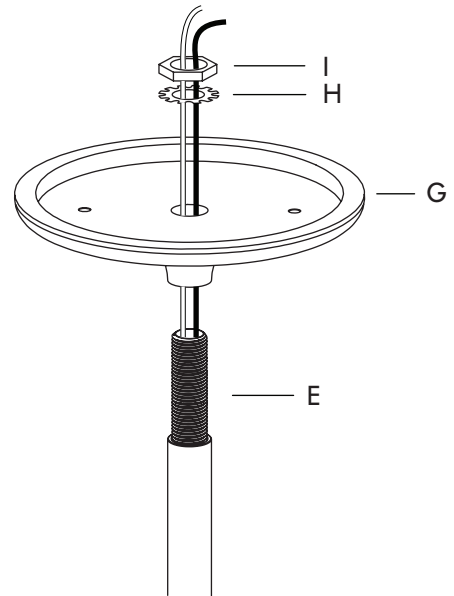


FIDDLEHEAD CANTILEVER | CEILING INSTALLATION

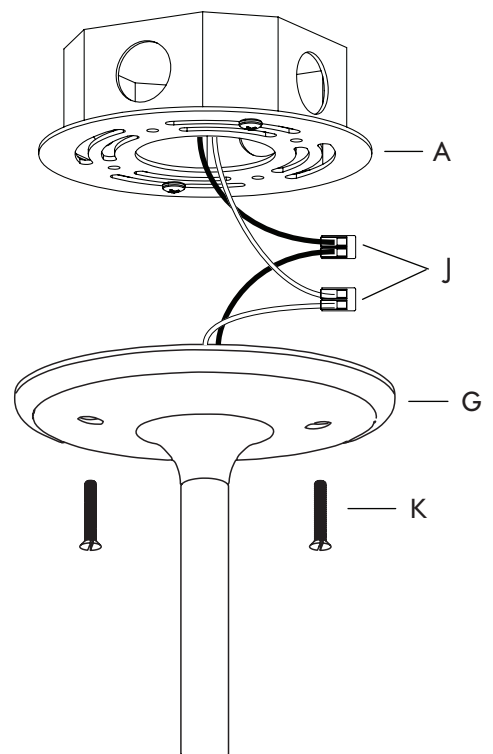
Note: Please contact a licensed electrician.

Note: Do not use bulbs that exceed 60 watts.

4. Screw in the threaded stem with cover tube (E) into the canopy (G), and secure it with lock-washer (H) and nut (I).



5. Raise the canopy (G) up to the crossbar (A).
Make the electrical connection between the fixture wires and J-box wires using the provided 2 port wagos (J).
Then tuck the wires inside the J-box.
6. Secure the canopy (G) to the Crossbar (A) with two provided screws (K).



INSTALLING THE GLASS GLOBE

Note: If changing bulb, make sure to power off fixture and allow bulbs and metal arms to cool.

1. To install the glass globe (A), hold fixture steady and carefully place the small hole of the globe over the socket (B).
2. Inside the globe, place the plastic washer (C) over the threaded socket (D) and insert the collar (E) through the large hole and thread on to socket (D).
3. To adjust the position of the globe lightly loosen the collar (E) and rotate so the large hole is to the left or right of the tube.
4. To install or change the bulb (F), reach through the large globe hole and screw into socket.

