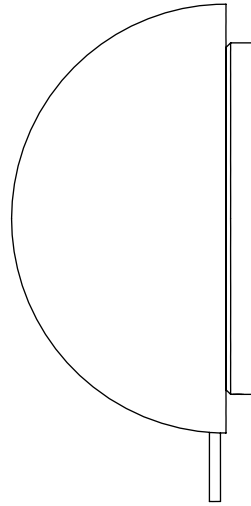
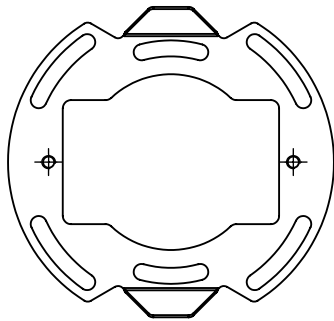


CONTENTS

Eclipse



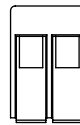
Crossbar



Crossbar Screws 8/32



Wago Connectors (2)



Hex Wrench



SAFETY INFORMATION

Only suitable for direct mounting on non-combustible surfaces.

Under no circumstances can Eclipse sconce be mounted on normally flammable surfaces.

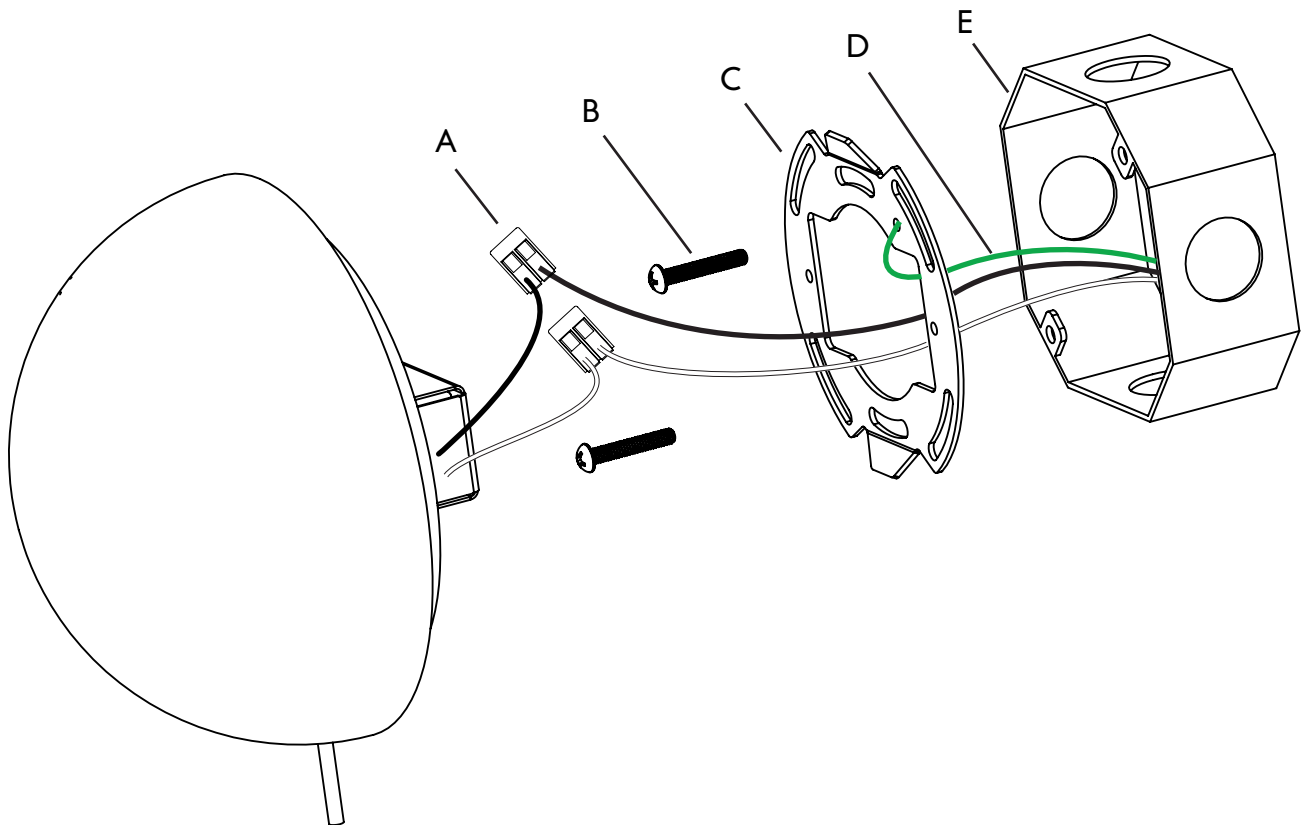
Suitable for dry, indoor use only.

Maximum ambient temperatures: 25° C

INSTALLATION | ECLIPSE

Note: Please contact a licensed electrician.

1. Affix crossbar (C) to Junction box (E) using 8/32 screws (B) Make sure tabs on crossbar are facing out and vertical.
2. Make electrical connections with 2-port wagos (A) connect ground wire to screw on crossbar (D).
3. Tuck electrical wires into the junction box (E).



INSTALLATION | ECLIPSE

Note: Please contact a licensed electrician.

4. Hang the backplate of the fixture on the top hook of the crossbar (A).
5. Pivot bottom end toward wall and secure with included set screw (B).

