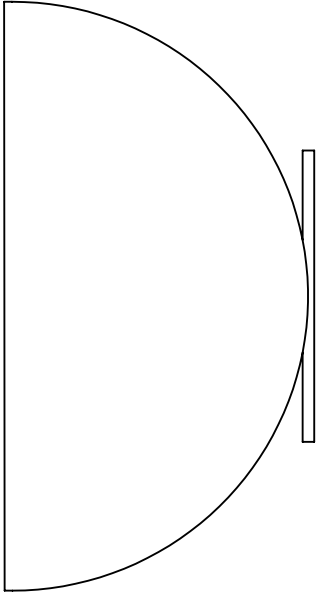
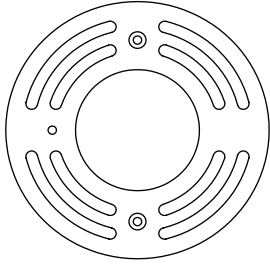
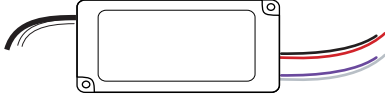





CONTENTS: CORA SCONCE

<p>Fixture</p> 	<p>Crossbar</p> 	
<p>Driver</p> 	<p>8/32 Junction Box Screw x2</p> 	<p>8/32 Fixture Screw x2</p> 
		<p>2-port Wago x2</p> 

SAFETY INFORMATION

Only suitable for direct mounting on non-combustible surfaces.
Under no circumstances can the fixture be mounted on normally flammable surfaces.
Suitable for dry, indoor use only.
Maximum ambient temperatures: 25° C

WALL INSTALLATION - CORA SCONCE

Note: Please contact a licensed electrician.

1. Make wire connections between driver (G) and power from junction box (E) with 2-port Wago (D).
Optional: connect the Dimming wires using 2-port Wago (H)
2. Connect crossbar (F) to junction box (E) using supplied 8/32 long screws (B)
3. Make fixture connections to driver (G) with 2-port Wago (C)
4. Connect fixture to crossbar (F) using supplied 8 / 32 thumb screws (A)
5. Shade may be tiled to access fixture screws (I)

