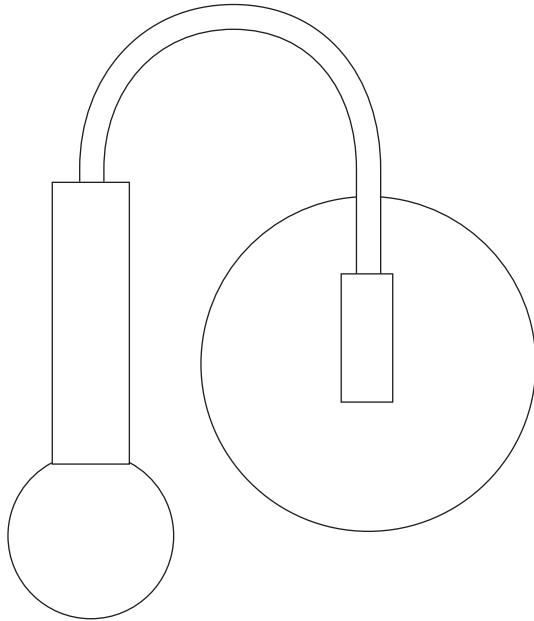


## CONTENTS

---

### Arch Sconce



### Wago Connector (2)



### Wago Connector (2)



### (x2) Long 8-32 screw On 240V fixtures only



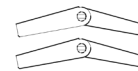
### (x2) Wood screw On 240V fixtures only



### (x2) Metal screw On 240V fixtures only



### (x2) Toggle anchor On 240V fixtures only



## SAFETY INFORMATION

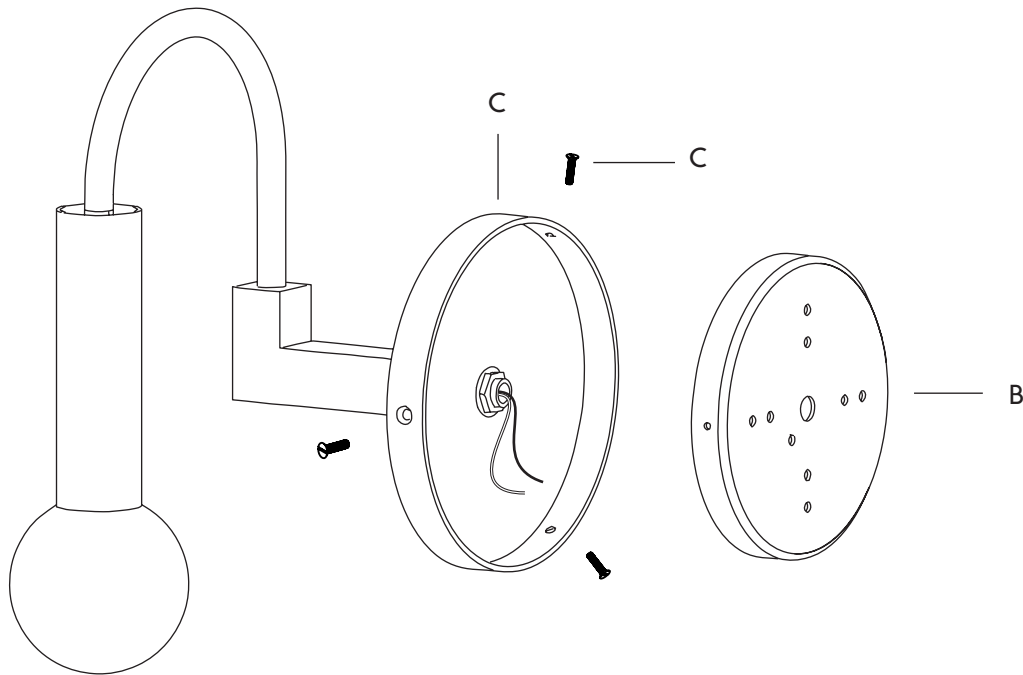
---

Only one light bulb per socket.  
Only suitable for direct mounting on non-combustible surfaces.  
Under no circumstances can Arch Sconce be mounted on normally flammable surfaces.  
Suitable for dry, indoor use only.  
Maximum ambient temperatures: 25° C

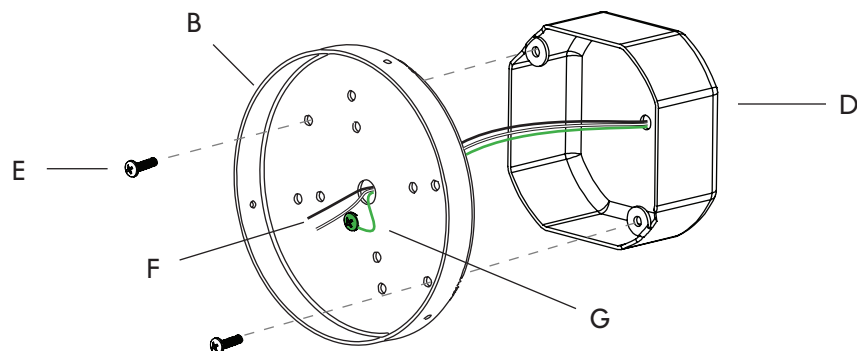
## WALL INSTALLATION | ARCH

*Note: Please contact a licensed electrician.*

1. Start with unscrewing the three screws (A) to release the crossbar (B) from the back-plate (C).



2. Mount the crossbar (B) onto J-box (D), and secure it with two screws (E).  
Be sure to feed the lead and ground (F) wire through the center hole in the crossbar.
3. Connect the ground wire to the crossbar using the grounding screw (G).



## WALL INSTALLATION | ARCH

*Note: Please contact a licensed electrician.*

4. Make the electrical connection between the lead and fixture wires using the provided 2 port wago's (H).
5. Fit the fixture (C) over the crossbar (B), and secure it with 3x screws (A).

