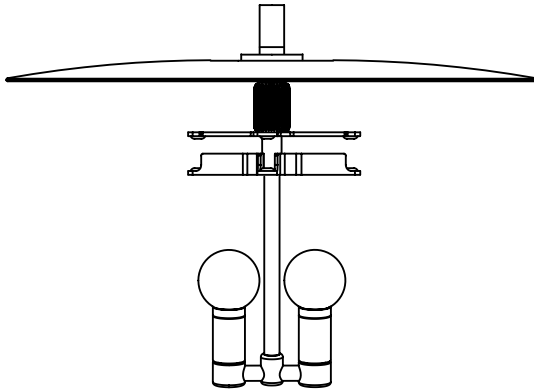
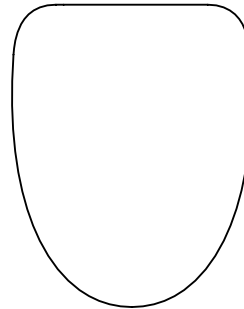


CONTENTS

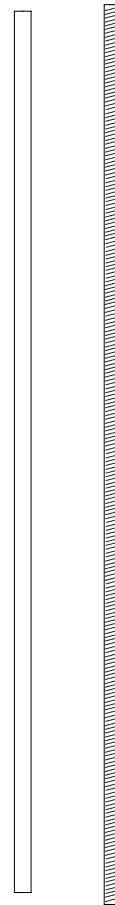
Pendant - 02



Glass



Stem and 1/8 IPS
Threaded Rod



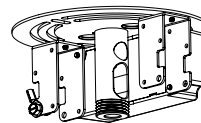
#8-32 Screws (2)



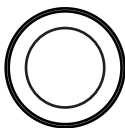
Wagos (7)



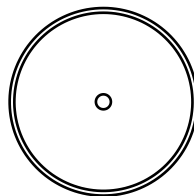
Crossbar Assembly



Threaded collar



Canopy



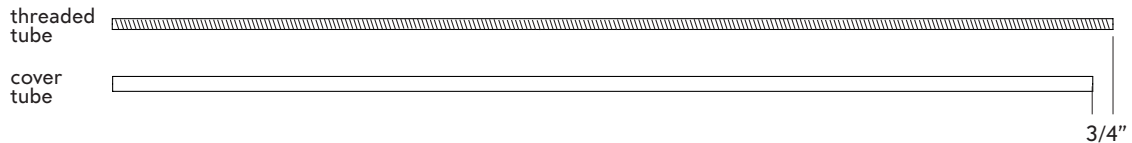
SAFETY INFORMATION

Only suitable for direct mounting on non-combustible surfaces.
Under no circumstances can Bell Pendants be mounted on normally flammable surfaces.
Suitable for dry or damp, indoor use only.
Maximum ambient temperature: 25° C

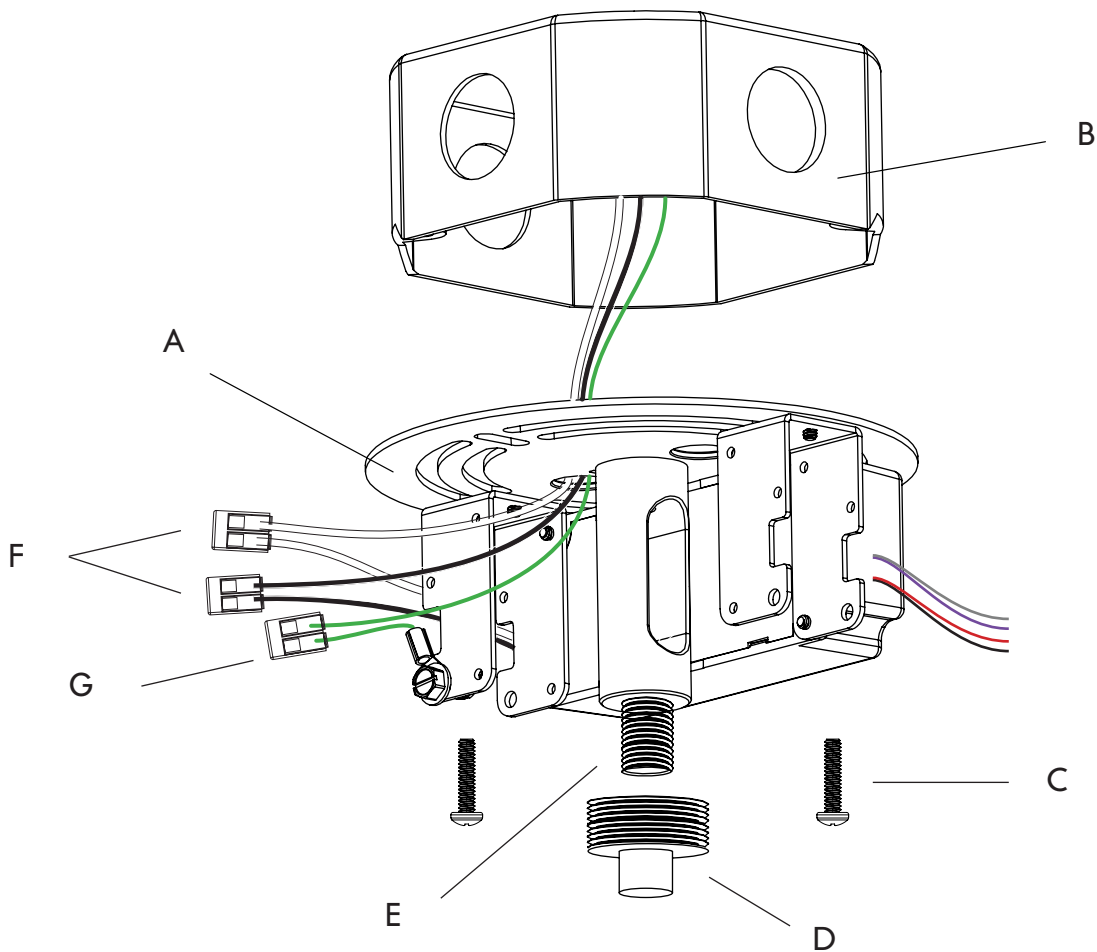
CEILING INSTALLATION

Note: Please contact a licensed electrician.

1. To customize the length of the provided 36-inch stem, cut cover tube to desired length. Then cut the inner threaded tube so that it remains 3/4" longer than the cover tube.



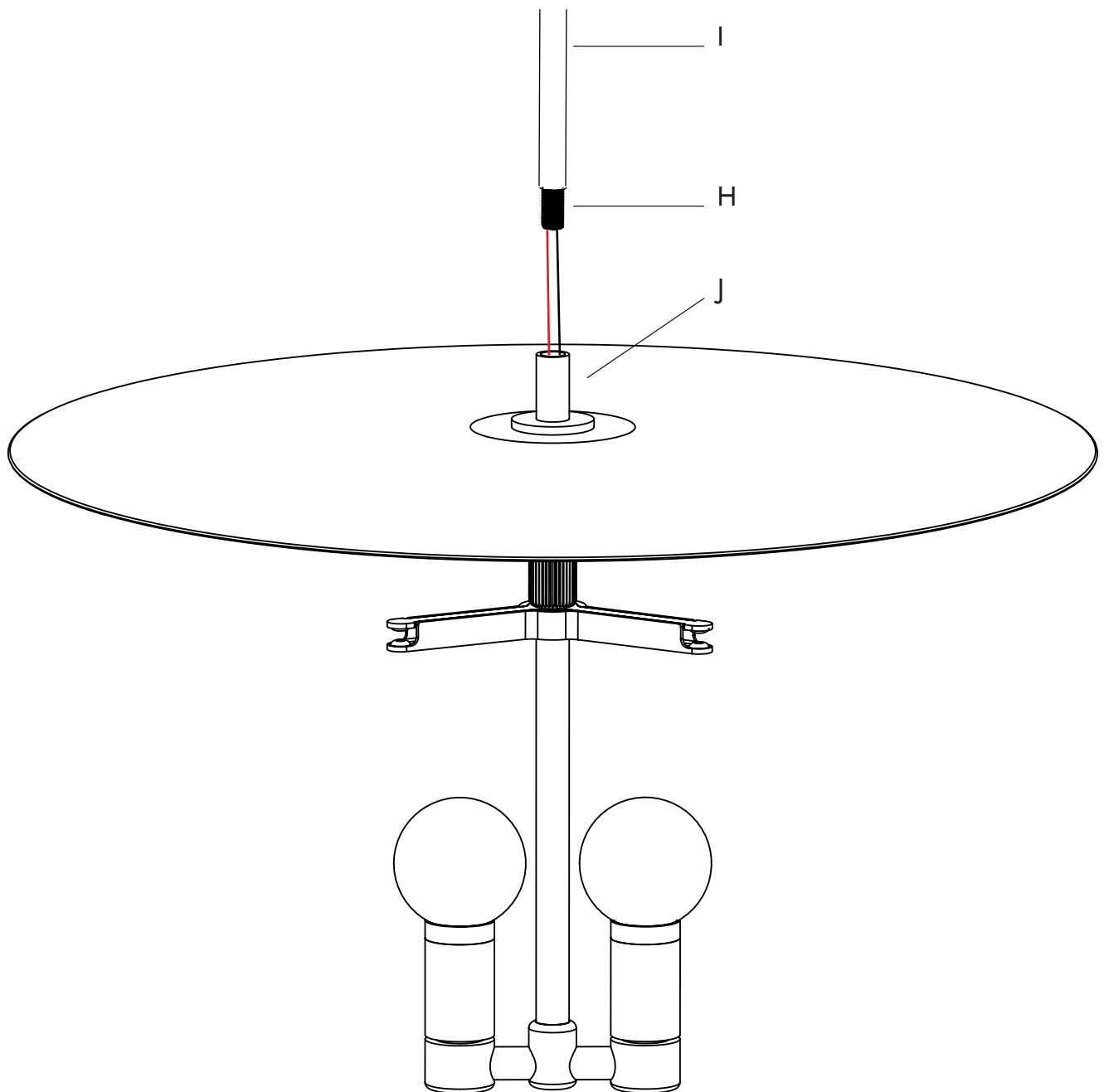
2. Install crossbar (A) to junction box (B) using #8-32 screws (C). It is recommended to pull the main wires out so they are accessible while making the main connection later.
3. Screw in the hang straight (D) onto the hickey (E) on the crossbar assembly the crossbar assembly.
4. Make the lead wire connection with the provided wago connectors (F). And connect the ground wire with the provided wago connector (G).



CEILING INSTALLATION

Note: Please contact a licensed electrician.

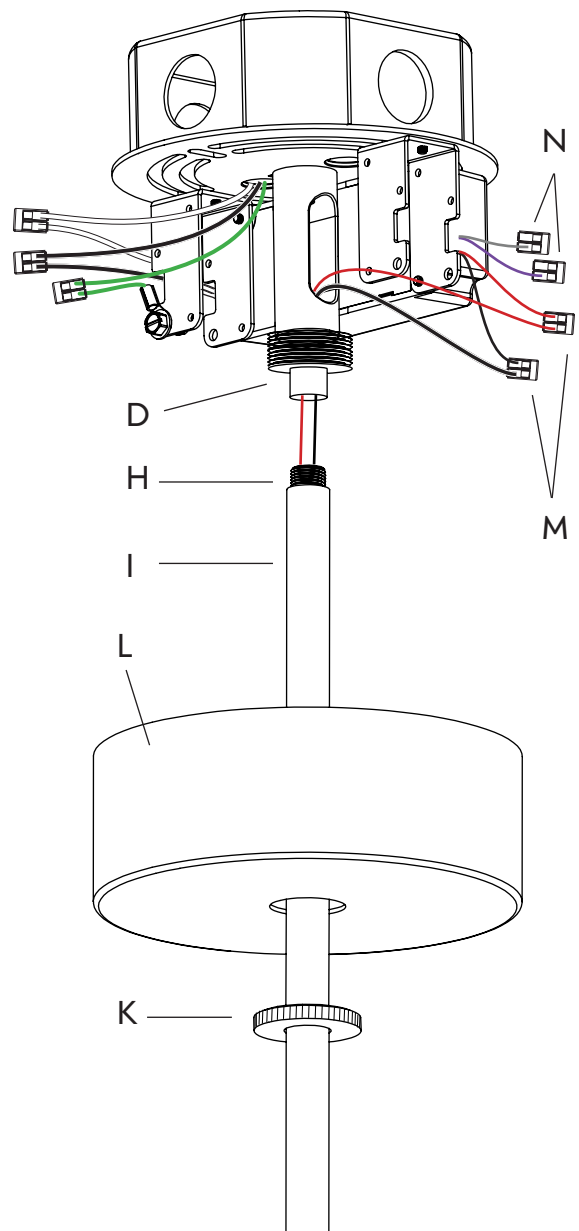
5. Feed the secondary wires from the fixture through the threaded tube (H) and cover tube (I).
6. Screw in the threaded tube (H) into the coupler (J)



CEILING INSTALLATION

Note: Please contact a licensed electrician.

- Slide the threaded collar (K) and canopy (L) down the cover tube (I).
- Then feed the secondary wires through the hang straight (D) and screw in the threaded tube (H) into the hang straight.
- Connect the secondary wires from the fixture to the LED driver with the provided wago connectors (M). (Optional: Connect the 0-10V dimming wires (N) as needed)
- Then, raise the canopy (L) over the crossbar assembly, and secure it in place with threaded collar (K).



GLASS INSTALLATION

Note: Please contact a licensed electrician.

1. Unscrew the thumb nut (A) raising the arm fitter (B).
2. Slide the glass (C) at an angle into each arm slot one at a time, and rest the glass evenly on rubber pads (D).
3. Fit the arm fitter (B) over the glass, and secure with the thumb nut (A).

