

OUTRIDE  
THE  
ORDINARY

ASSEMBLY GUIDE

BUZZRAW X | BUZZRAW PRO



HANDLEBAR ASSEMBLY

@coastcycles

<http://coastcycles.com>

## 01. CONTENT PAGE

### HANDLEBAR ASSEMBLY

STEP 1.1	2
STEP 1.2	3
STEP 1.3	4
STEP 1.4	5
STEP 1.5	6
STEP 1.6	7

## COMPATIBLE WITH

BUZZRAW PRO



BUZZRAW X



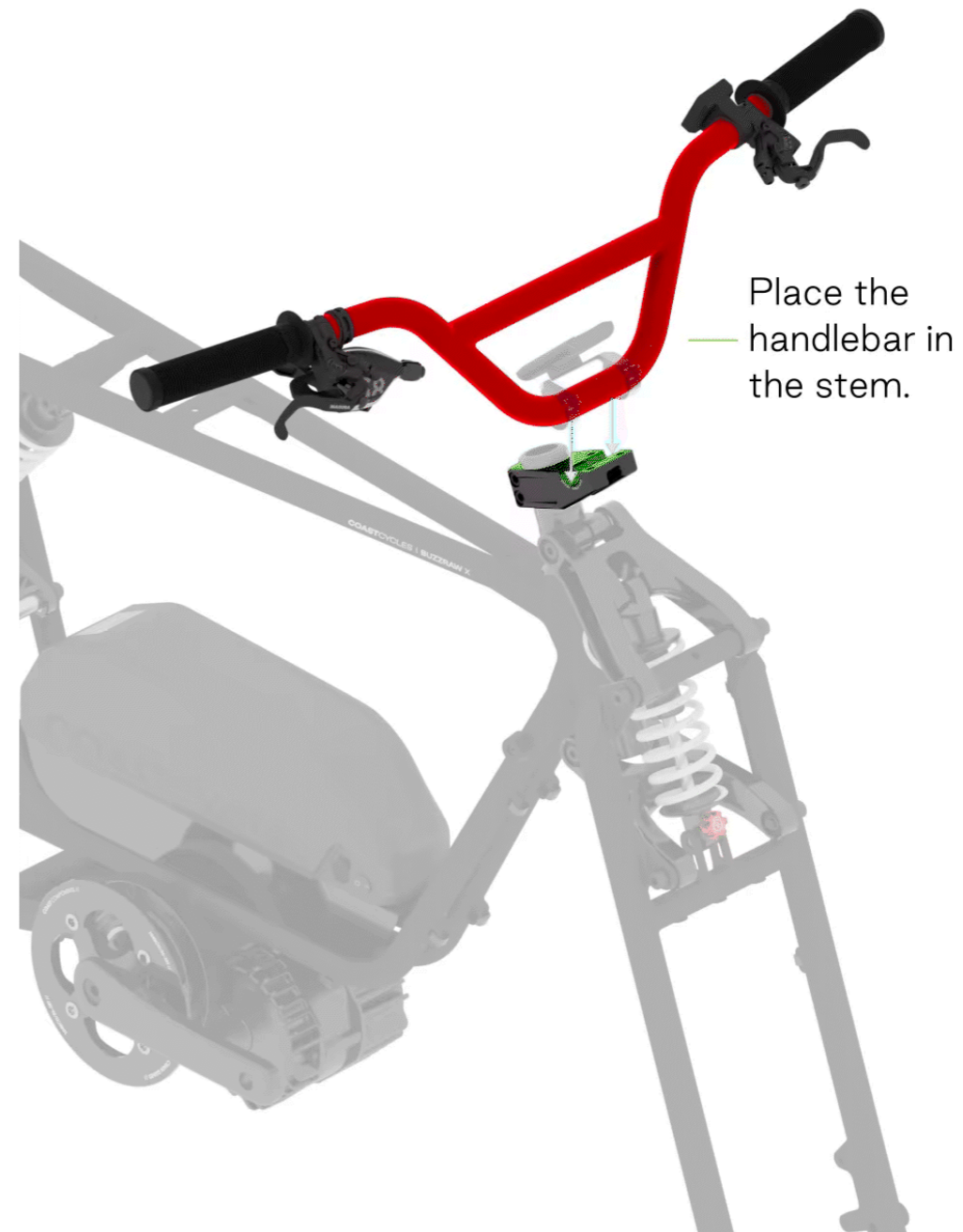
---

**STEP 1.1 | HANDLEBAR ASSEMBLY**

---

Tool Required

6mm Hex Wrench



Place the  
handlebar in  
the stem.

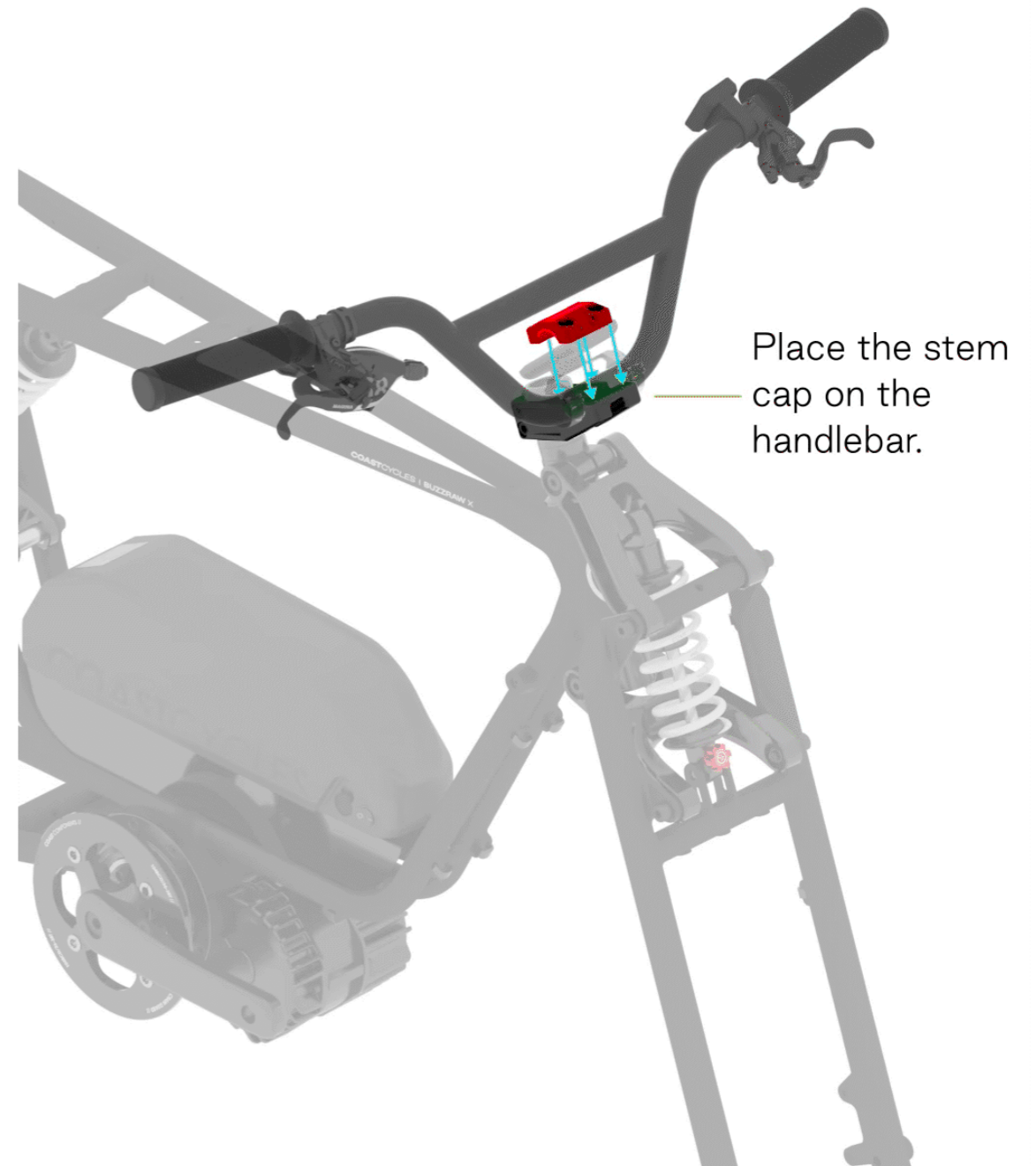
---

**STEP 1.2 | HANDLEBAR ASSEMBLY**

---

Tool Required

6mm Hex Wrench



---

**STEP 1.3 | HANDLEBAR ASSEMBLY**

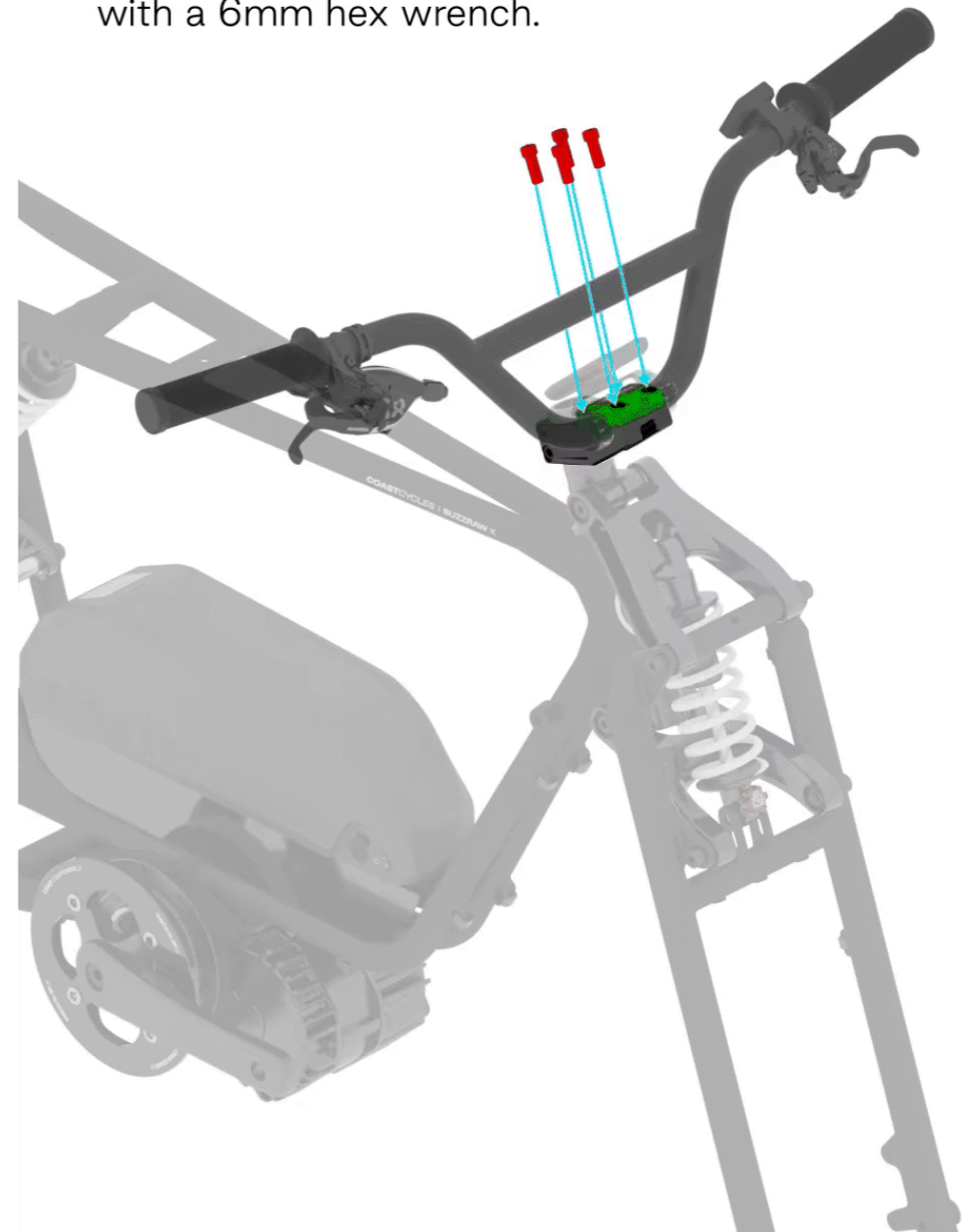
---

Tool Required

6mm Hex Wrench



Loosely thread the bolts  
with a 6mm hex wrench.



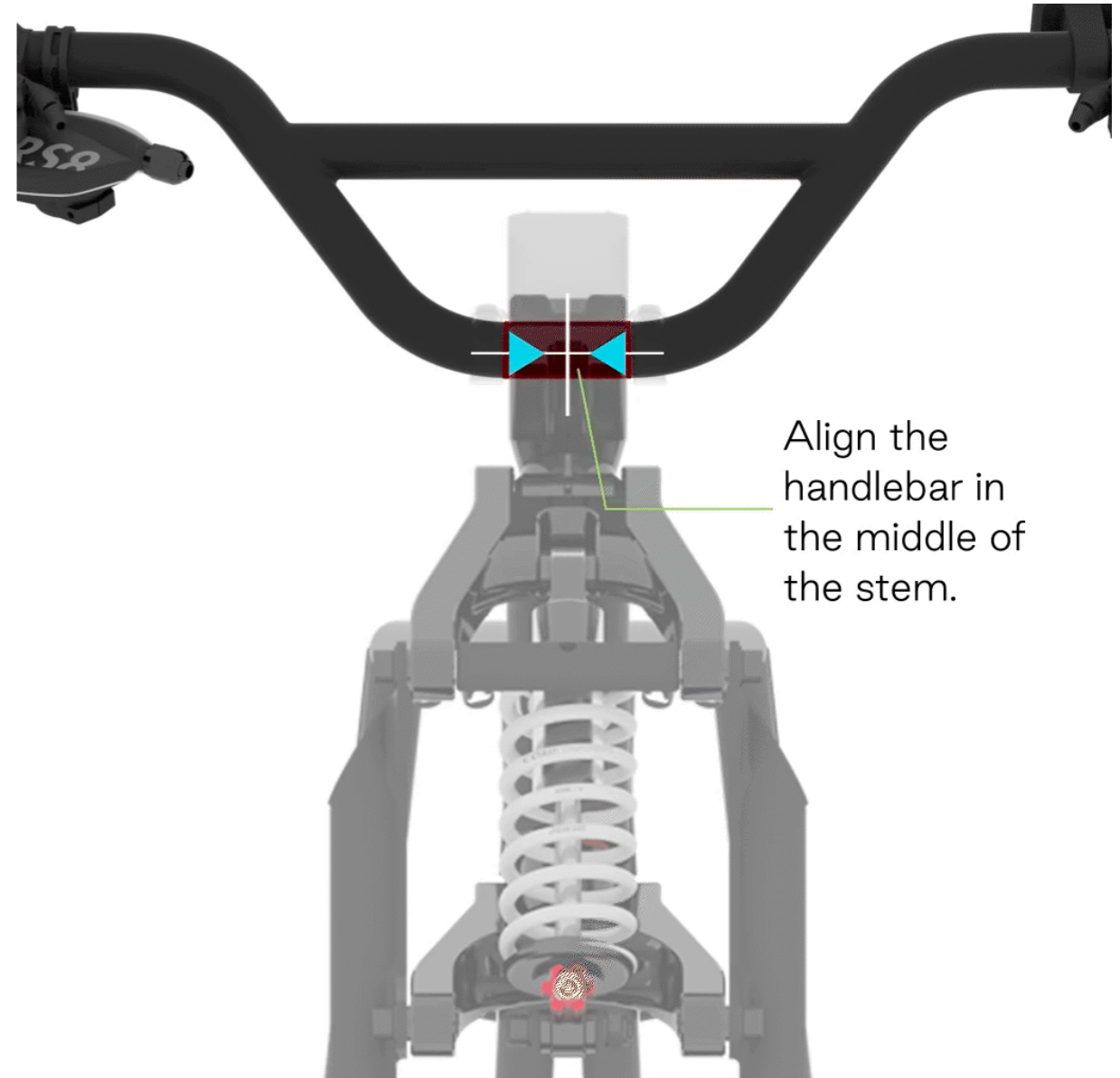
---

**STEP 1.4 | HANDLEBAR ASSEMBLY**

---

Tool Required

6mm Hex Wrench



Align the  
handlebar in  
the middle of  
the stem.

---

**STEP 1.5 | HANDLEBAR ASSEMBLY**

---

Tool Required

6mm Hex Wrench | 

---

**STEP 1.6 | HANDLEBAR ASSEMBLY**

---

Tool Required

6mm Hex Wrench





---

**STEP 1.7 | HANDLEBAR ASSEMBLY**

---

Tool Required

6mm Hex Wrench |



**COASTCYCLES**