



OUTRIDE
THE
ORDINARY

COAST ACCESSORIES

REAR RACK



INSTALLATION GUIDE

@coastcycles
<http://coastcycles.com>

0.1 INSTALLATION GUIDE

Seat Stay Bridge

Buzzraw Classic	03
Buzzraw Pro	04

Rear Rack Side Plate

Side Plate /Left	05
Side Plate /Right	06

Installing Rear Rack	08
----------------------	----

0.2 REQUIRED TOOLS

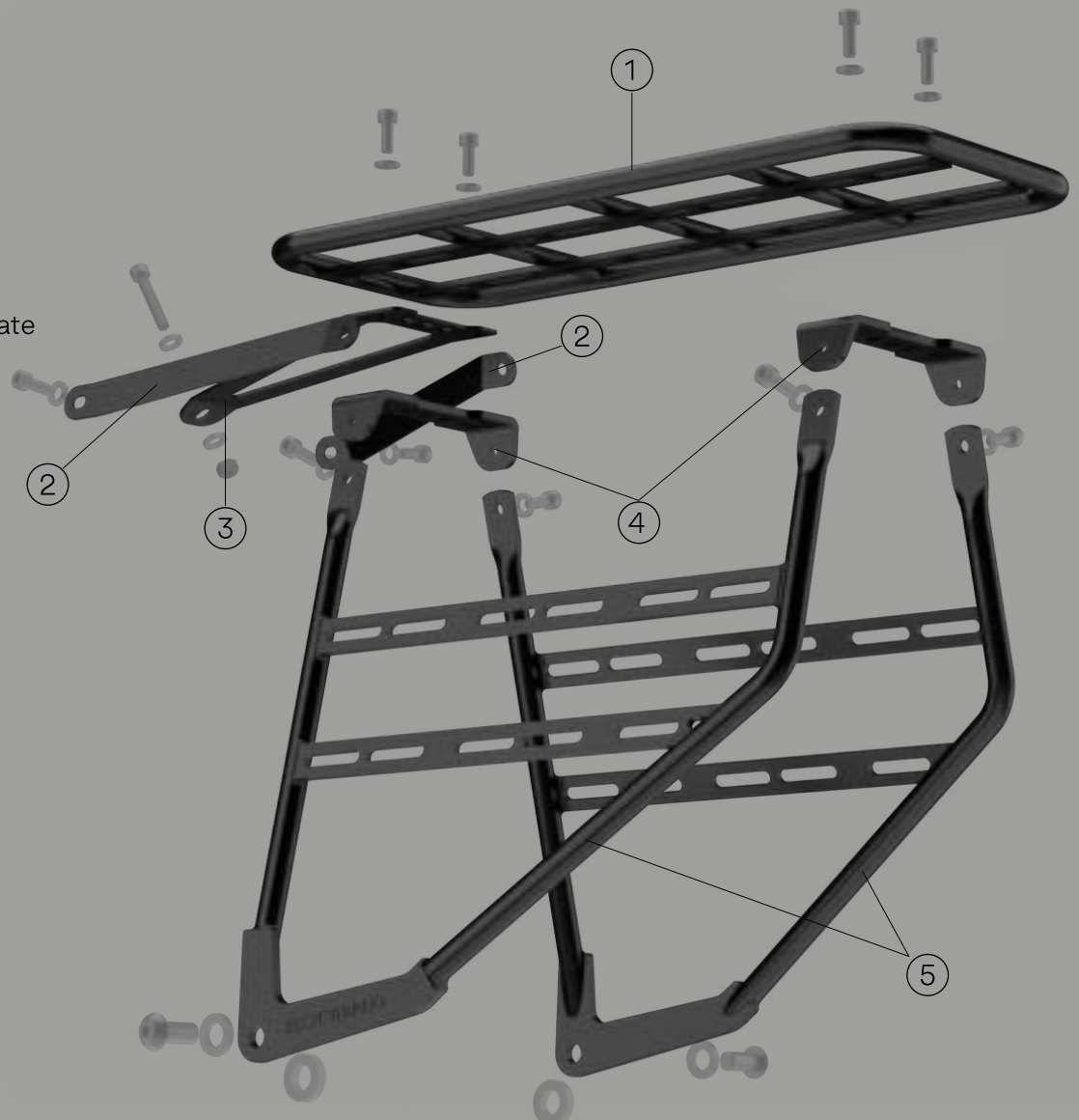
- 5 mm Allen Key
- 8 mm Allen Key
- 10 mm Spanner
- 5 mm Hex Socket Bit
- 8 mm Hex Socket Bit
- Torque Wrench
- Loctite 243

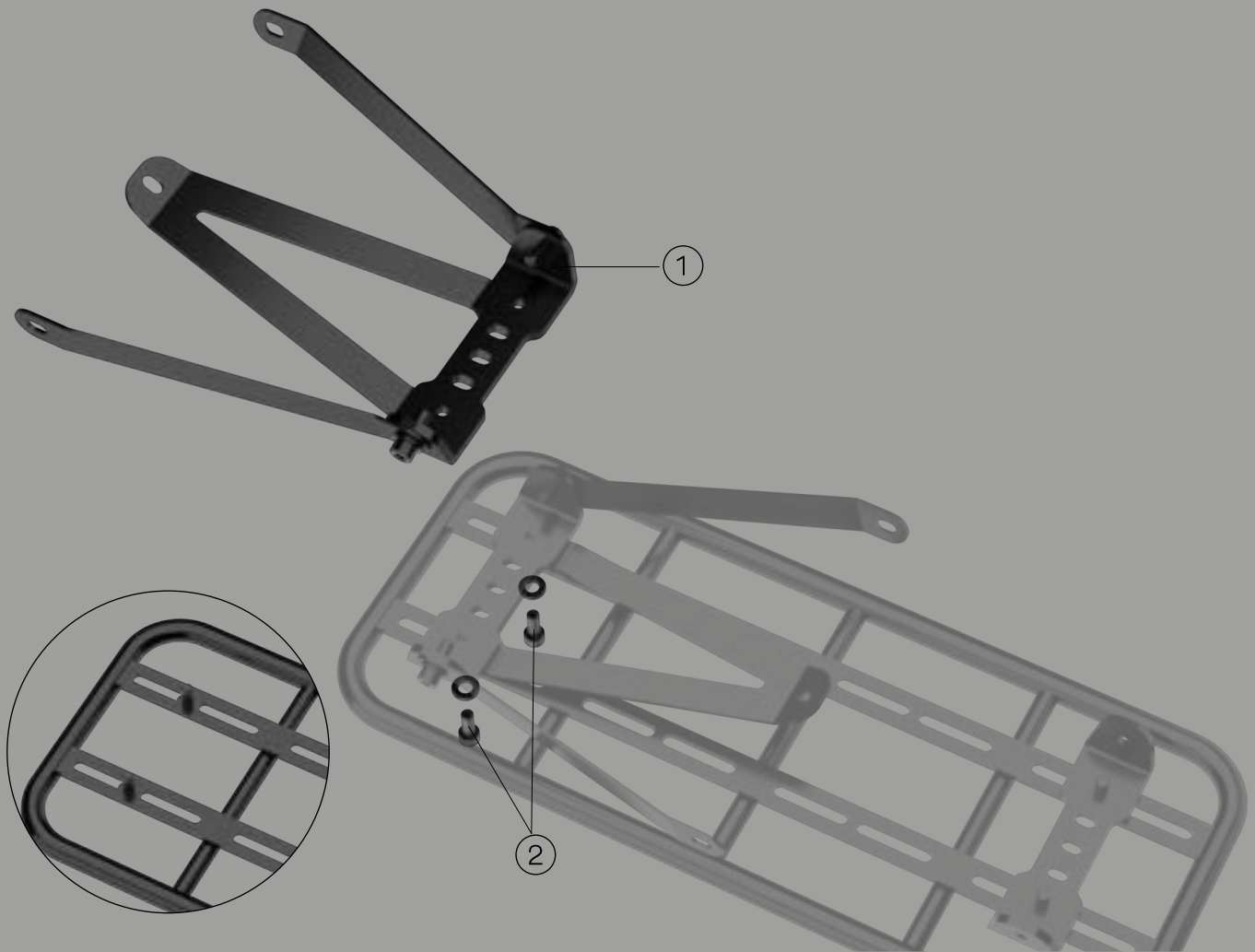
0.3 INCLUDED HARDWARE

- 4x M6x15 mm Bolts
- 1x M6x35 mm Bolts
- 6x M6 Washers
- 1x M6 Nylon Lock Nut
- 2x M10x30 mm Bolts
- 2x M10 Washers
- 2x M10x3mm Spacers

0.4 REFERENCE GUIDE

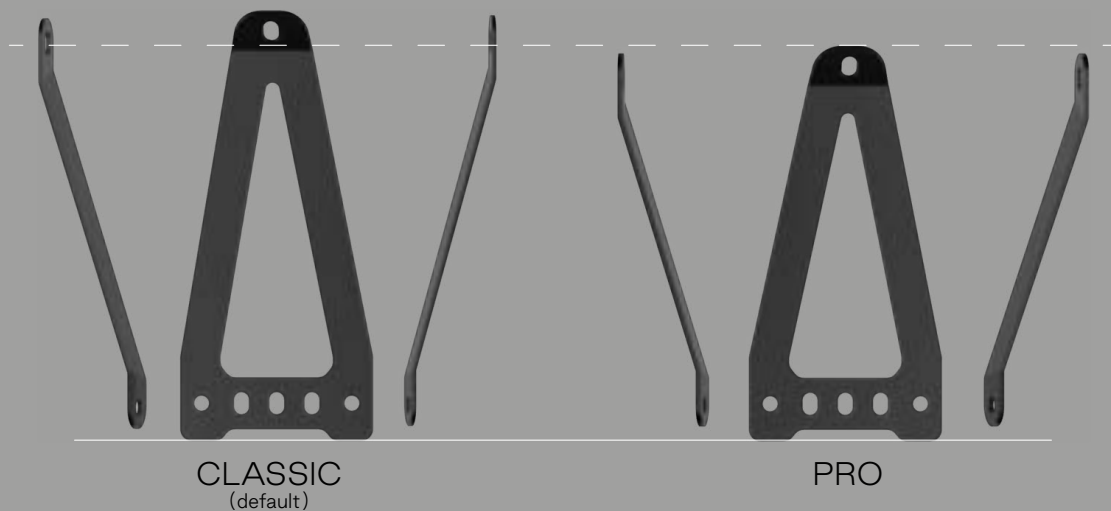
- ① Base Plate
- ② Support Struts
- ③ Seat Stay Bridge Strut
- ④ Rear Rack Mounting Plate
- ⑤ Rear Rack Side Plate



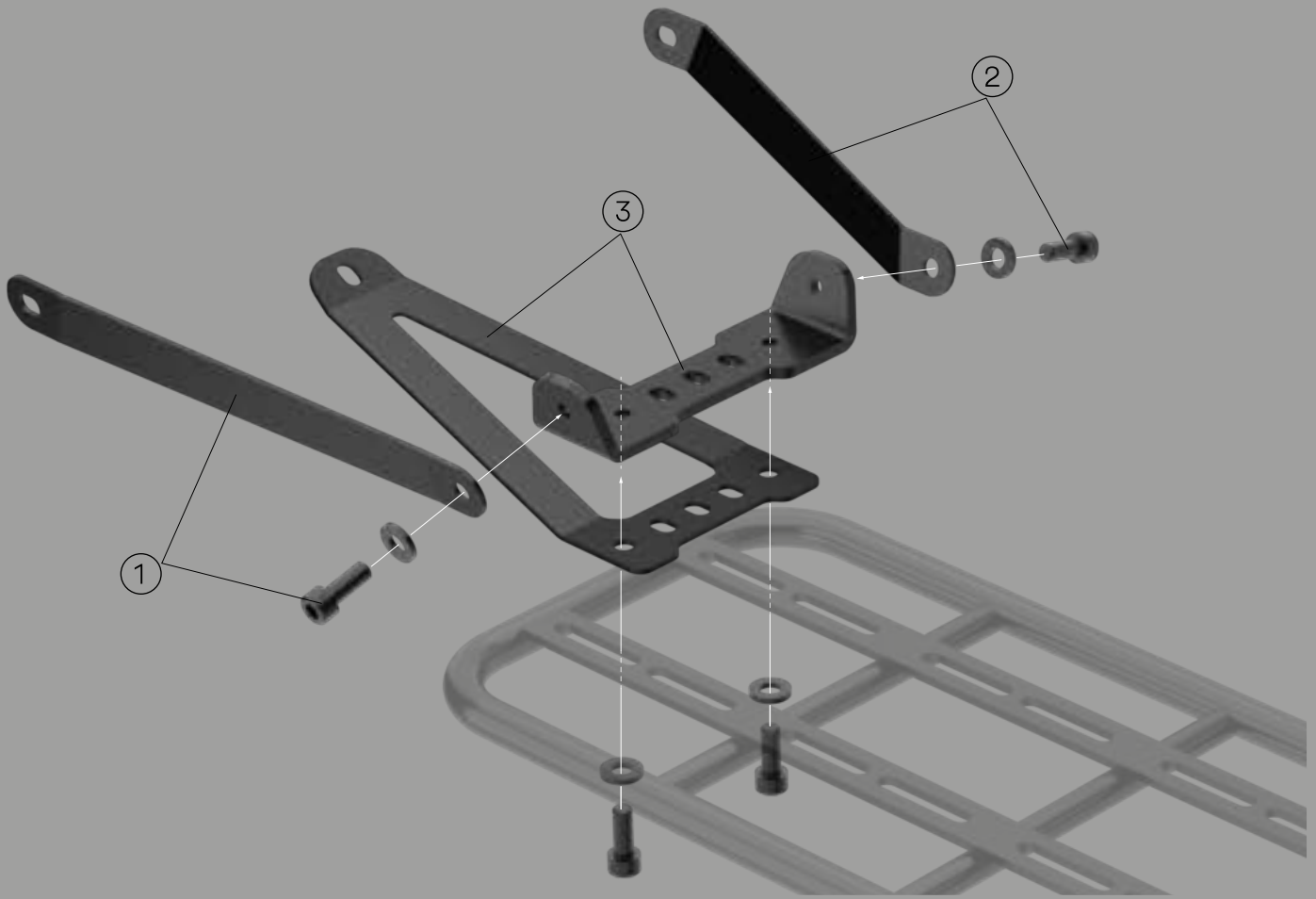


STEPS	INSTRUCTIONS
-------	--------------

- | | |
|---|---|
| ① | Rotate and loosely install the Classic seat stay bridge strut.
(apex of the triangle faces forward)
Take note: Classic hardware has been pre-installed on the rack. |
| ② | Install the mounting plate with 2x M6x15 mm bolts with 2x M6 washers through first slots on the base plate. Tighten loosely to allow final adjustment. |

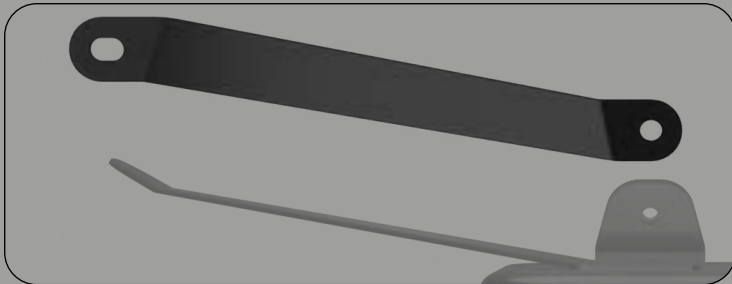


BUZZRAW PRO REFER TO PAGE 4



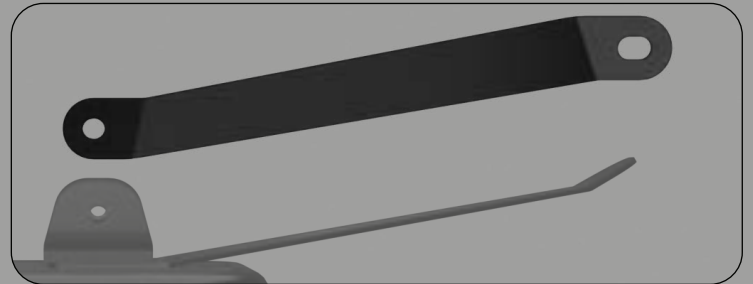
STEPS	INSTRUCTIONS
-------	--------------

① Support Strut (left)	
------------------------	--



Replace with PRO support strut (left).
M6x15 mm bolt and M6 washer.

② Support Strut (right)	
-------------------------	--



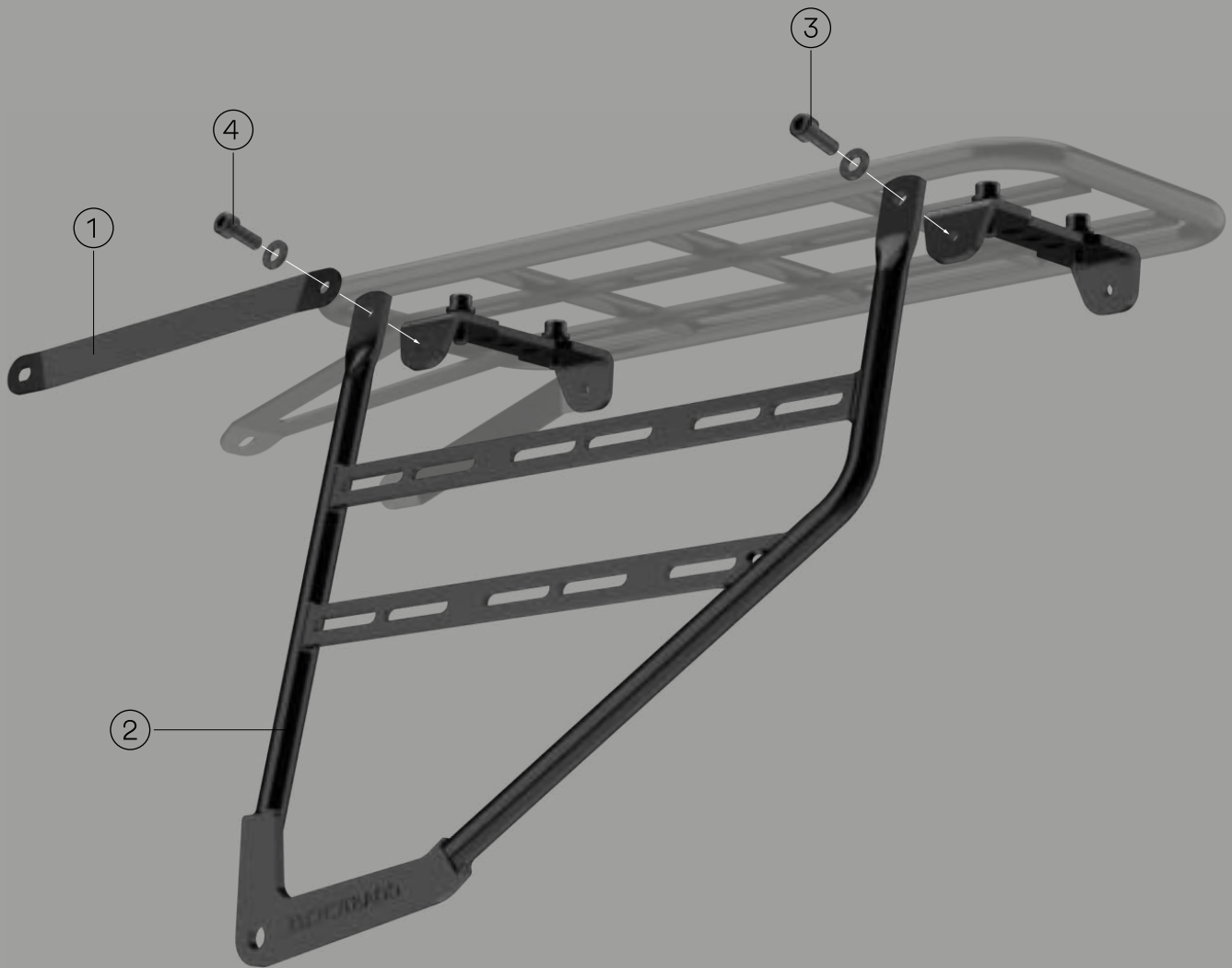
Replace with PRO support strut (right).
M6x15 mm bolt and M6 washer.

③ Seat Stay Bridge Strut	
--------------------------	--



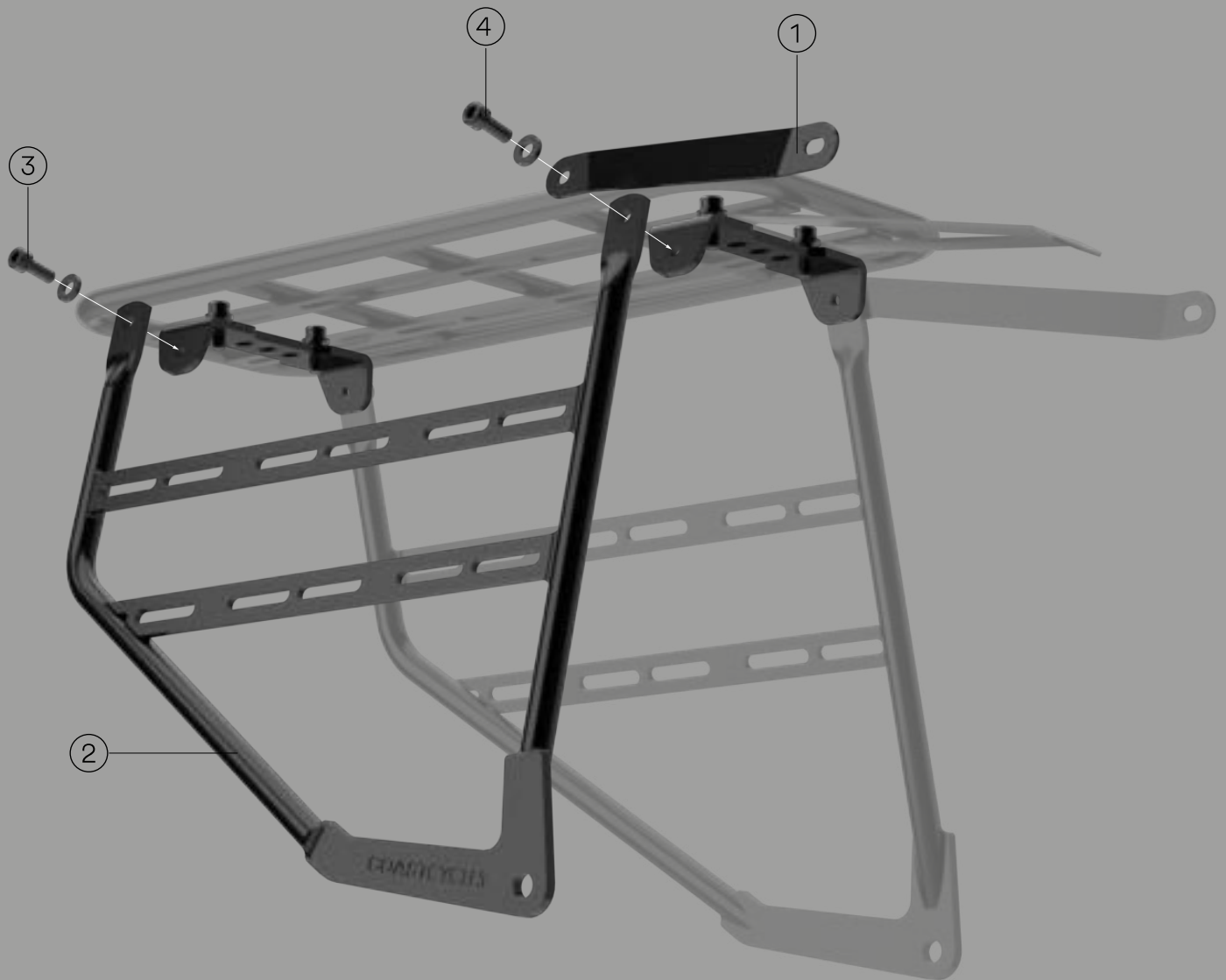
Replace with PRO seat stay bridge strut.
M6x15 mm bolt and M6 washer.

Note: Slotted hole on the support strut are for frame mounting only.



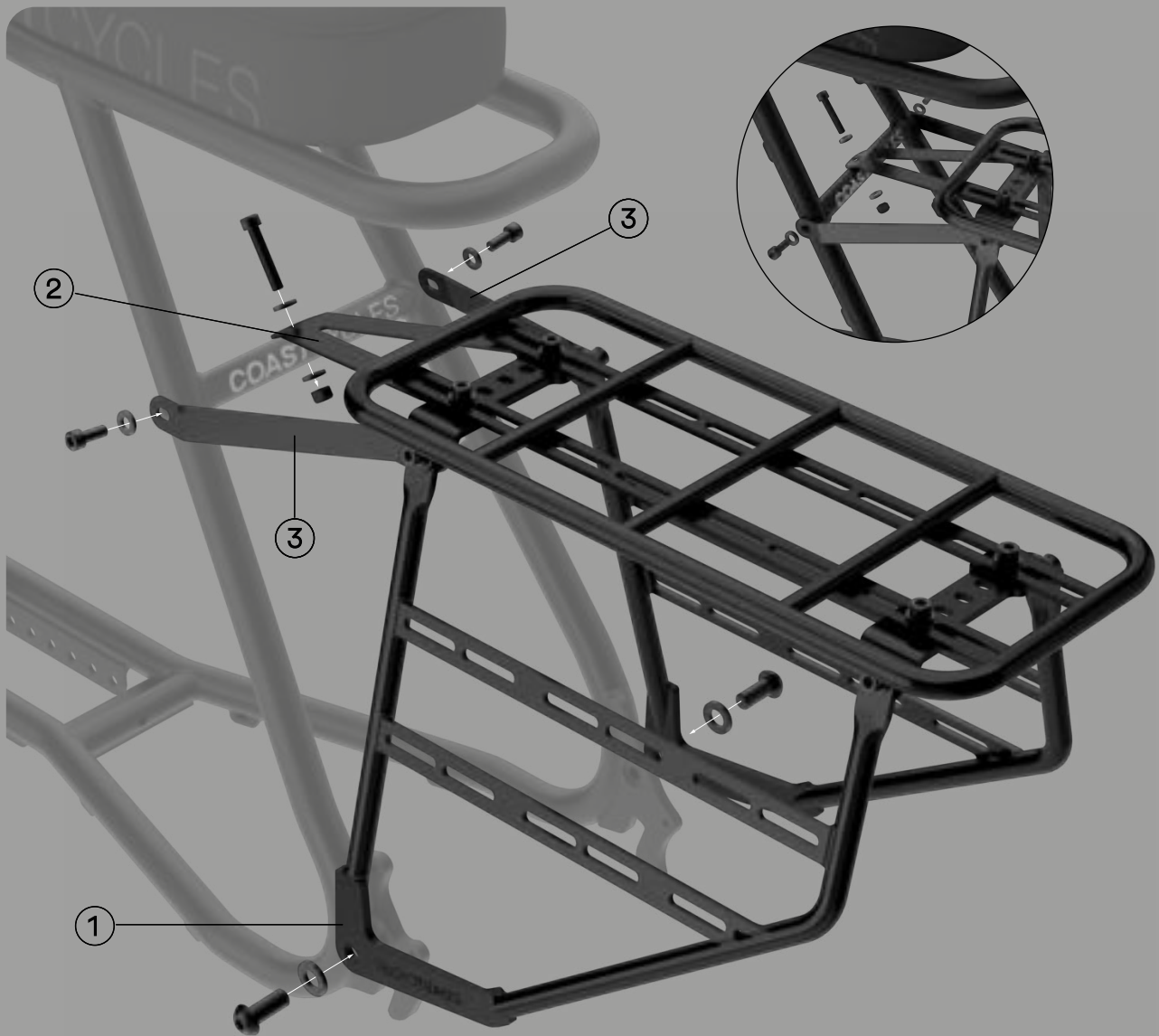
STEPS	INSTRUCTIONS
-------	--------------

- | | |
|---|--|
| ① | Remove support strut (left) from from the rear rack mounting plate. |
| ② | Aligned rear rack side plate (left) to the rear rack mounting plate. |
| ③ | Install the rear rack side plate (left) with 1x M6x15 mm bolt and M6 washer. Torque down to 6Nm. |
| ④ | Install the support strut (left) with 1x M6x15 mm bolt and M6 washer to the rear rack side plate loosely to allow final adjustment on the frame. |



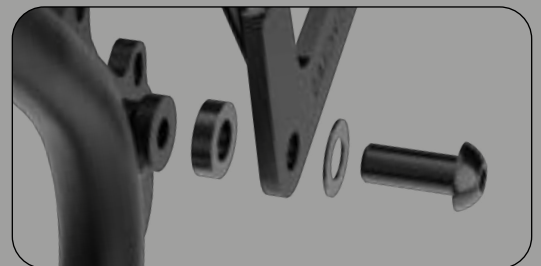
STEPS	INSTRUCTIONS
①	Remove support strut (right) from from the rear rack mounting plate.
②	Aligned rear rack side plate (right) to the rear rack mounting plate.
③	Install the rear rack side plate (right) with 1x M6x15 mm bolt and M6 washer. Torque down to 6Nm.
④	Install the support strut (right) with 1x M6x15 mm bolt and M6 washer to the rear rack side plate loosely to allow final adjustment on the frame.





STEPS	INSTRUCTIONS
-------	--------------

- | | |
|---|---|
| ① | <p>Install rear rack side plate onto the frame dropout mounting point with 2x M10x3mm spacers one on each side first.
Tighten loosely with 2x M10x30 mm and 2x M10 washers. Apply loctite to the bolts.</p> |
|---|---|



- | | |
|---|--|
| ② | <p>Install the seat stay bridge strut onto the frame seat stay bridge mounting point with 1x M6x35 mm bolt, 4x M6 washers and M6 nylon lock nut.
Torque down M6 bolt to 6Nm and torque down M10 bolts to 15Nm.</p> |
| ③ | <p>Install both support struts onto the frame mounting point with 2x M6x15 mm bolts and 2x M6 washers. Apply loctite to the bolts and torque down to 6Nm.</p> |
| ④ | <p>Torque down all the M6 bolts on the base plate to 6Nm.</p> |

