



OUTRIDE
THE
ORDINARY

COAST ACCESSORIES

FRONT RACK



INSTALLATION GUIDE

@coastcycles
<http://coastcycles.com>

0.1 INSTALLATION GUIDE

Buzzwalker Fork	03
Classic Fork	04

0.2 REQUIRED TOOLS

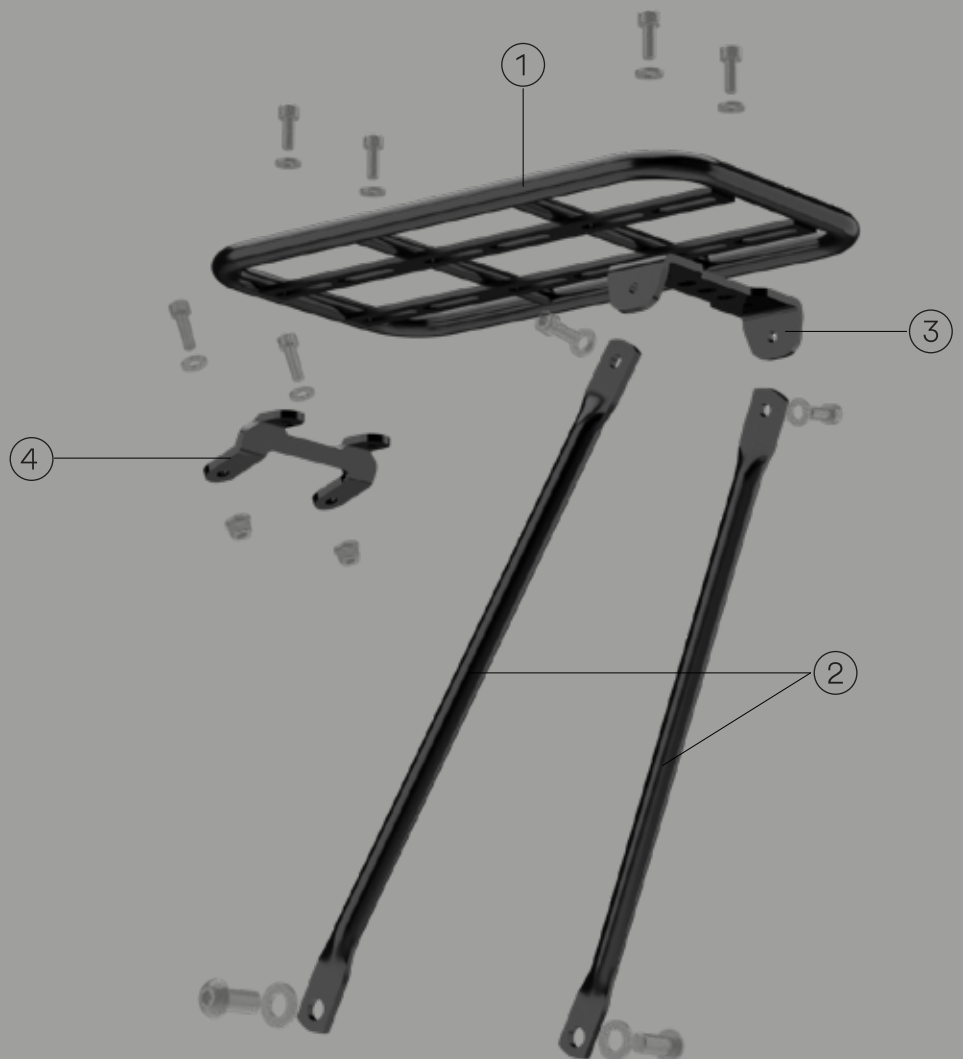
5 mm Allen Key
 8 mm Allen Key
 10 mm Spanner
 5 mm Hex Socket Bit
 8 mm Hex Socket Bit
 Torque Wrench
 Loctite 243

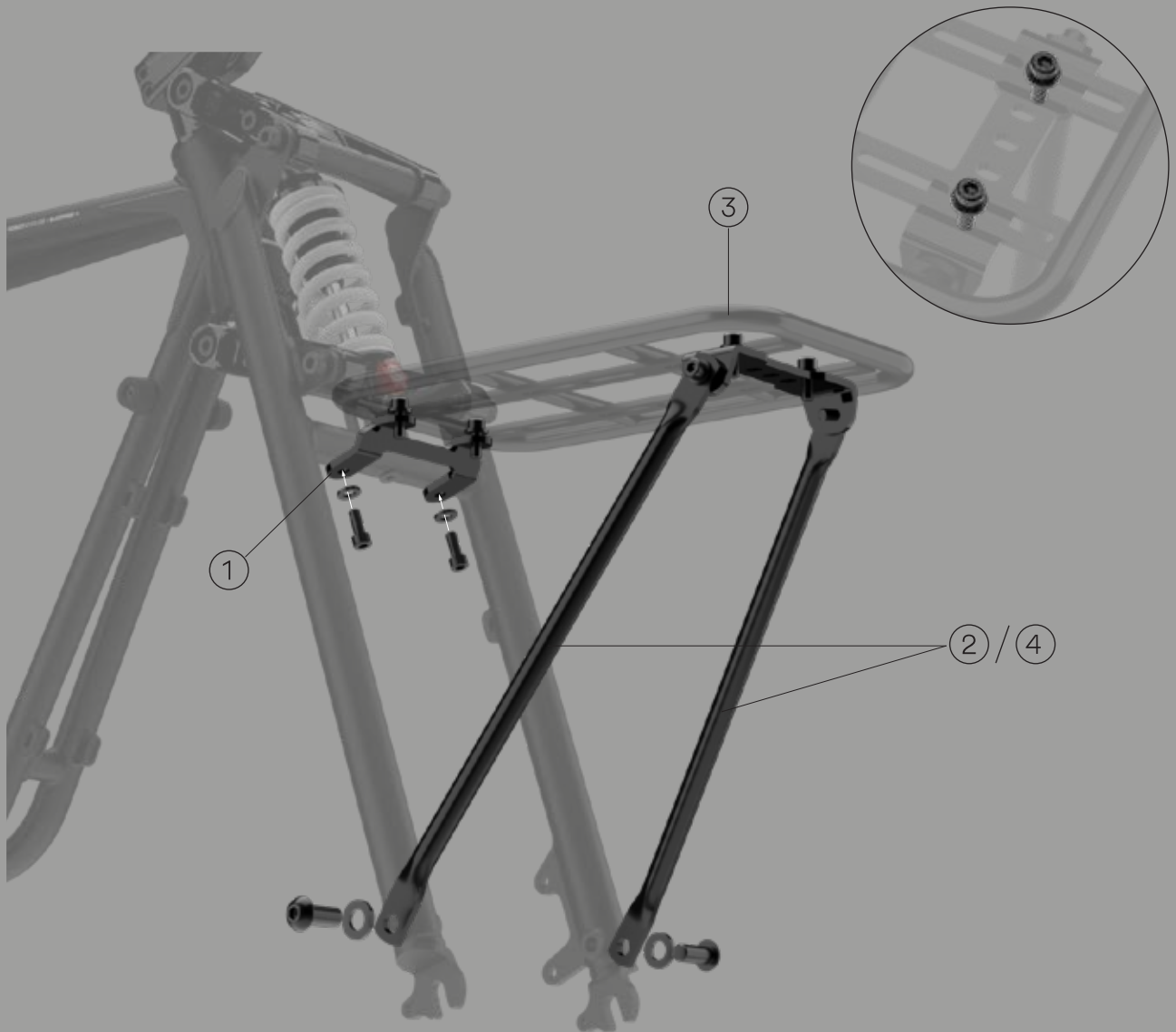
0.3 INCLUDED HARDWARE

2x M6x20 mm Bolts
 2x M6 Washers
 2x M6 Nylon Lock Nut
 2x M10x30 mm Bolts
 2x M10 Washers

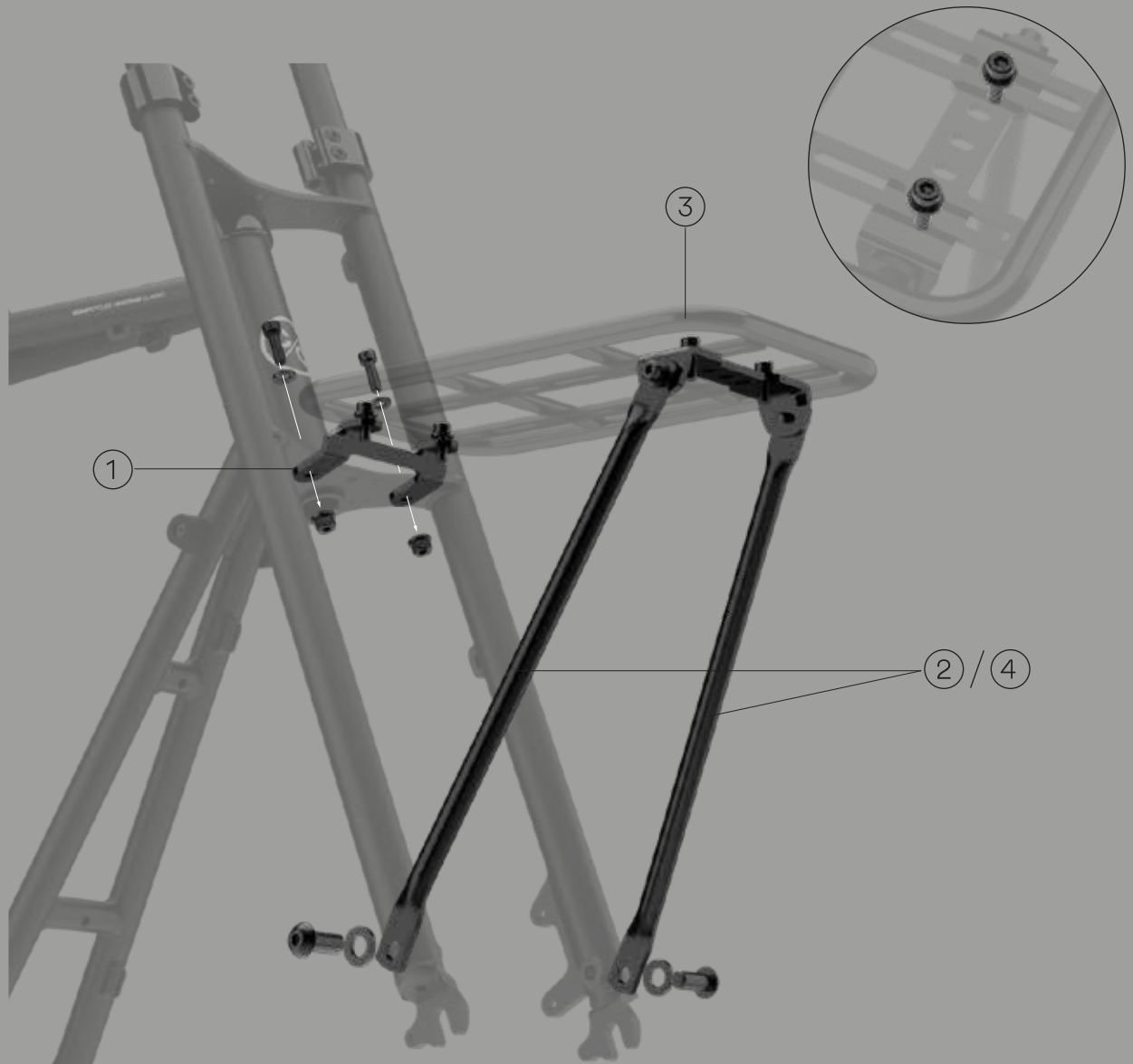
0.4 REFERENCE GUIDE

- ① Base Plate
- ② Support Struts
- ③ Front Rack Mounting Plate
- ④ Fork Bridge Mounting Plate





STEPS	INSTRUCTIONS
①	Install the fork bridge mounting plate underneath the lower fork crown with 2x M6x20 mm bolts and 2x M6 washers. Apply loctite to the bolts and torque down to 6Nm.
②	Loosen the M6x15 mm on the support struts and aligned to the fork leg mounting points. Loosely tighten with 2x M10x30 mm bolts and 2x M10 washers. Apply loctite to the bolts.
③	Loosen 4x M6x15 mm bolts on the base plate. Level the base plate parallel to ground. Torque down to 6Nm.
④	Tighten bolts on support struts. Torque down M6x15 mm bolts on the support struts to 6Nm. Torque down M10x30 mm bolts on support struts to 15Nm.



STEPS	INSTRUCTIONS
①	Install the fork bridge mounting plate underneath the lower fork crown with 2x M6x20 mm bolts , 2x M6 washers and 2x M6 nylon lock nuts. Torque down to 6Nm.
②	Loosen the M6x15 mm on the support struts and aligned to the fork leg mounting points. Loosely tighten with 2x M10x30 mm bolts and 2x M10 washers. Apply loctite to the bolts.
③	Loosen 4x M6x15 mm bolts on the base plate. Level the base plate parallel to ground. Torque down to 6Nm.
④	Tighten bolts on support struts. Torque down M6x15 mm bolts on the support struts to 6Nm. Torque down M10x30 mm bolts on support struts to 15Nm.

