

OUTRIDE
THE
ORDINARY

INSTALLATION GUIDE

BUZZRAW X



CARGO BAG

@coastcycles
<http://coastcycles.com>

CONTENT PAGE

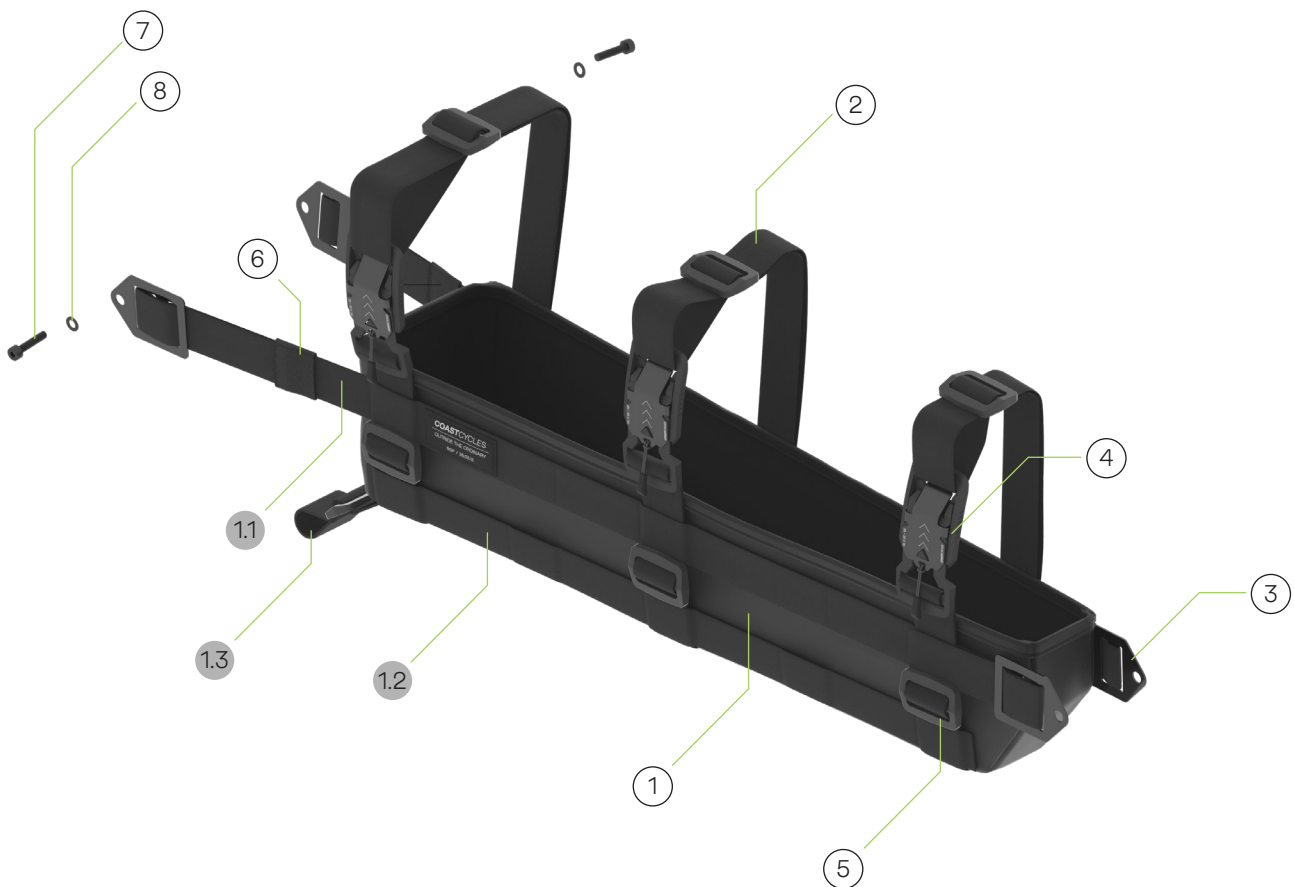
PACKAGE CONTENTS	2
INSTALLATION PROCEDURE	
Step 1 – Saddle Disassembly	3
Step 2 – Tightener Mount Installation	4
Step 3 – Rear Strap Installation	5
Step 4 – Vertical Strap Installation	6-7
Step 5 – Saddle Assembly	7
Step 6 – Completed Installation	8

REQUIRED TOOLS

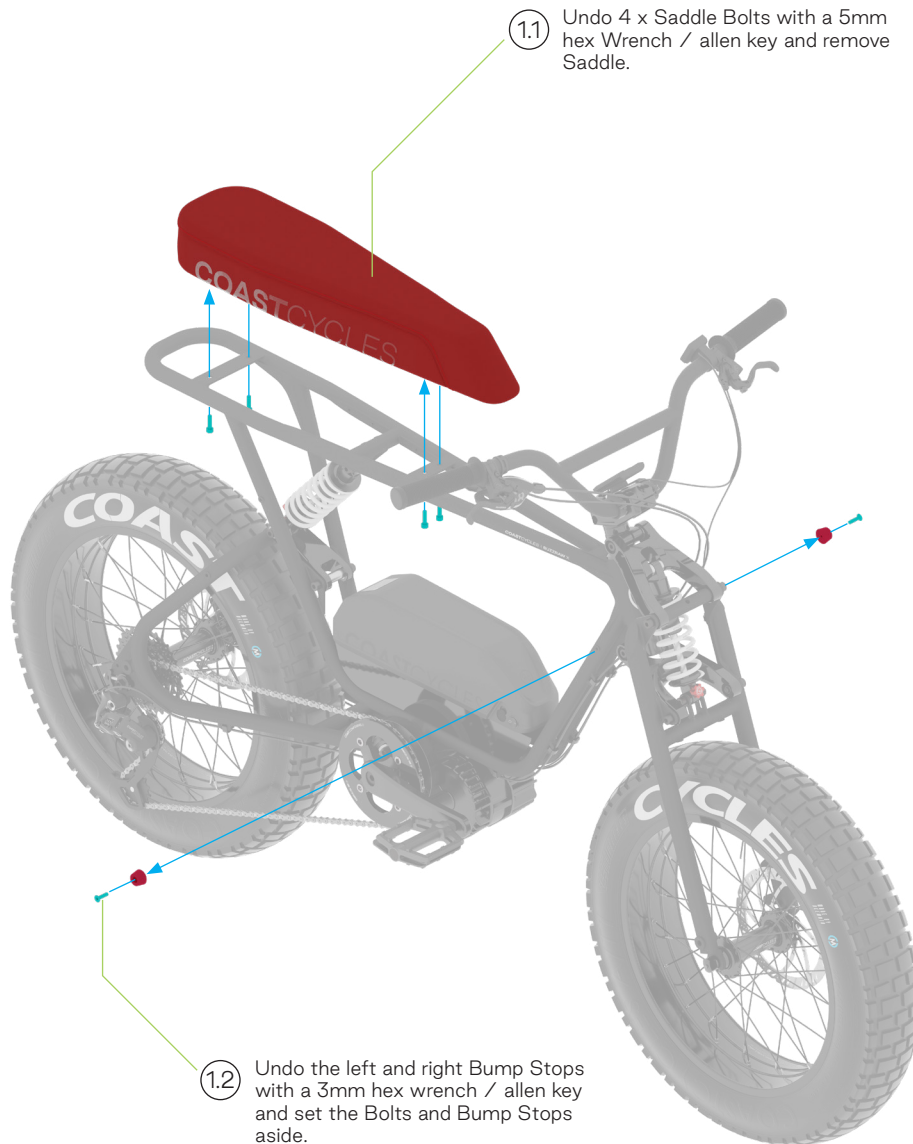
3mm Hex Wrench / Allen Key
4mm Hex Wrench / Allen Key
5mm Hex Wrench / Allen Key

PACKAGE CONTENTS

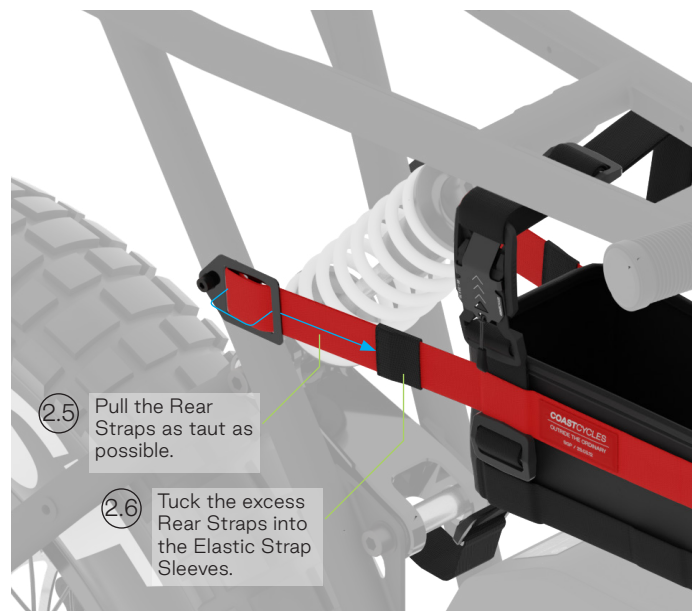
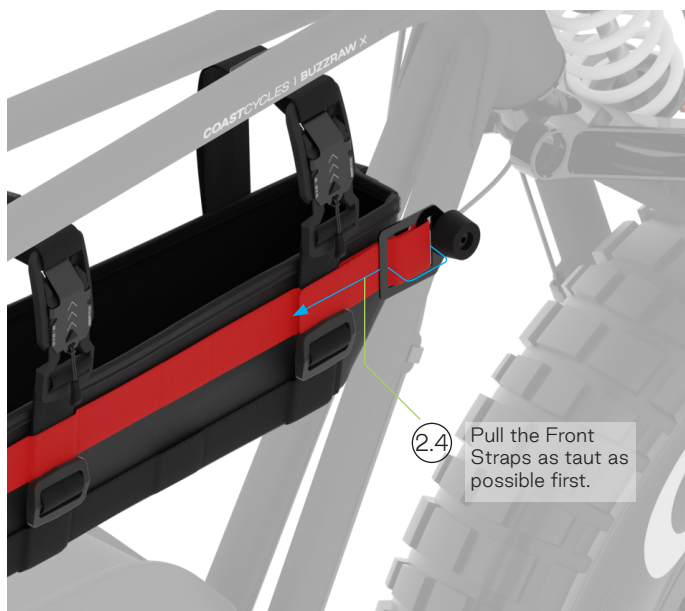
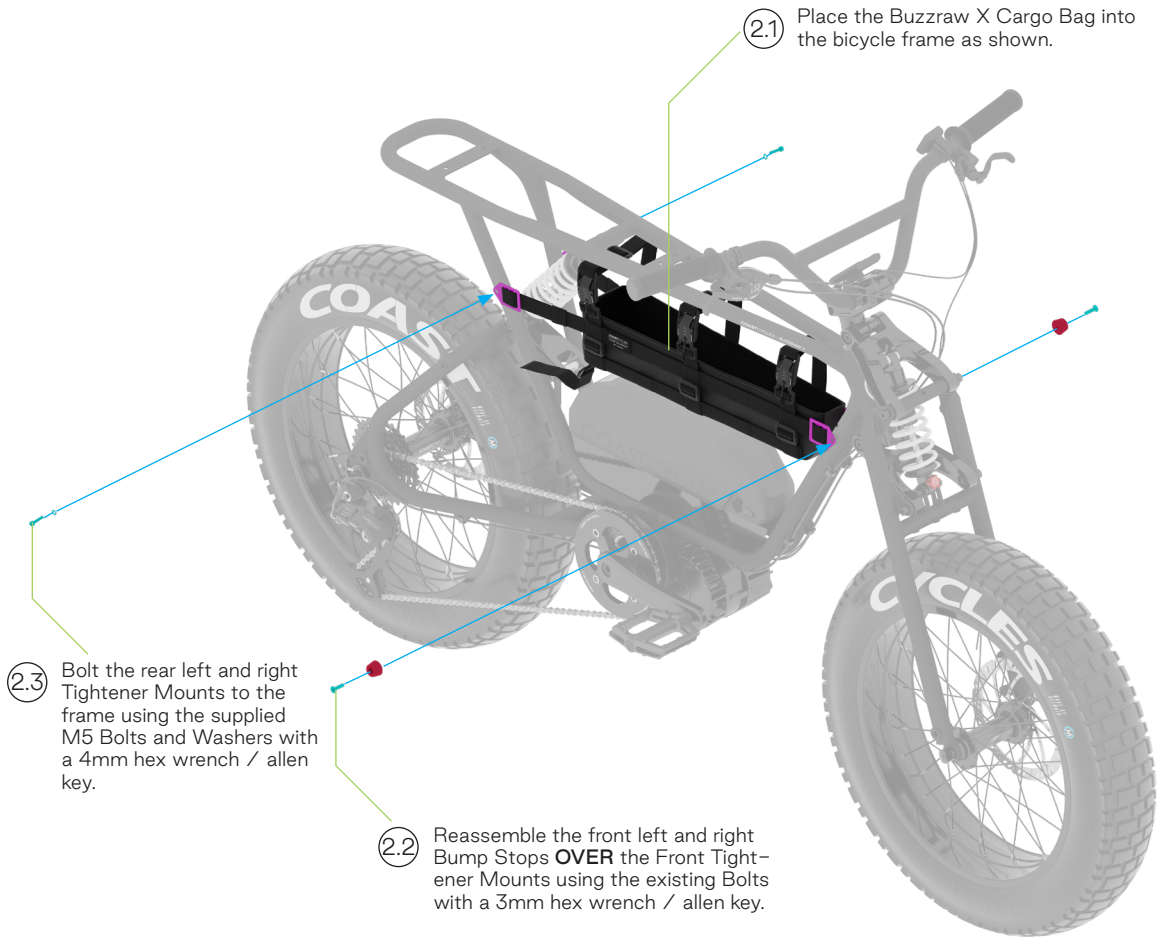
1. Buzzraw X Cargo Bag	- 1 pc
1.1 Support Strap	- 2 pcs
1.2 Border Strap	- 2 pcs
1.3 Rear Strap	- 1 pc
2. Vertical Strap	- 3 pcs
3. Tightener Mount	- 4 pcs
4. Magnetic Clip	- 3 pcs
5. Plastic Loop	- 7 pcs
6. Elastic Strap Sleeve	- 2 pcs
7. M5 Bolt	- 2 pcs
8. M5 Washer	- 2 pcs



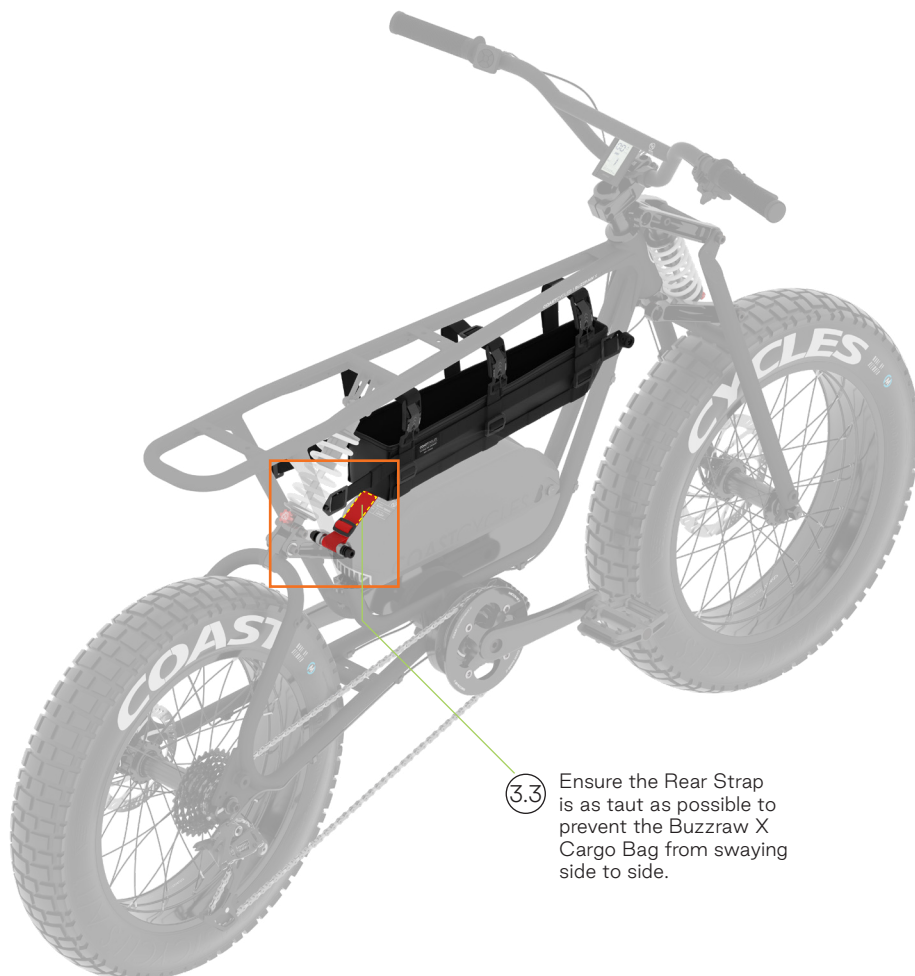
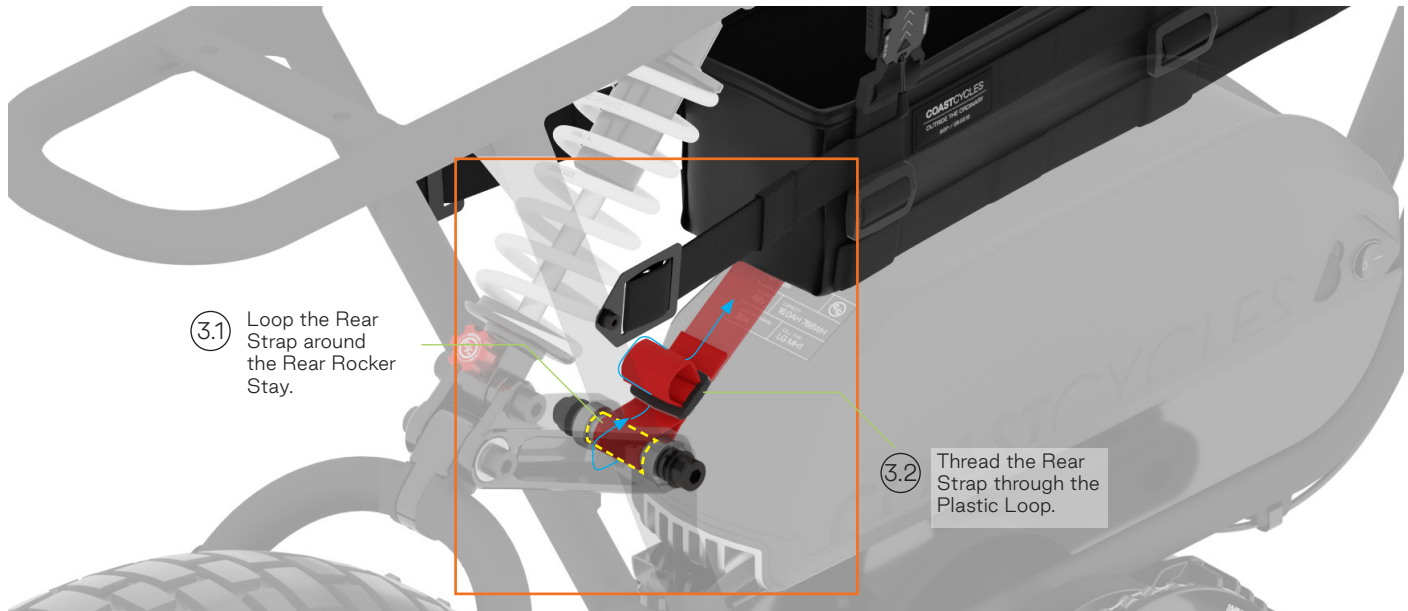
STEP 1 – SADDLE DISASSEMBLY



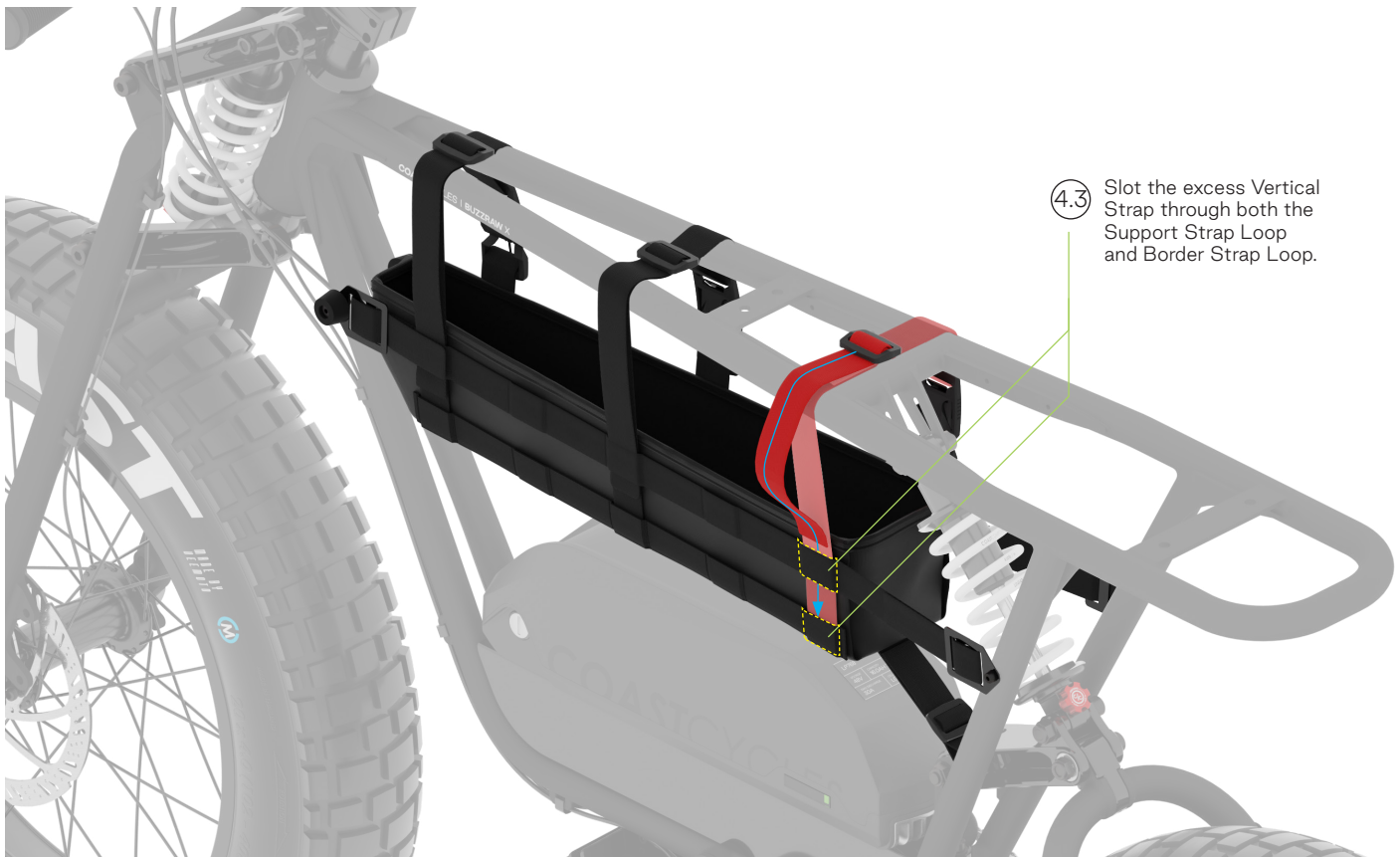
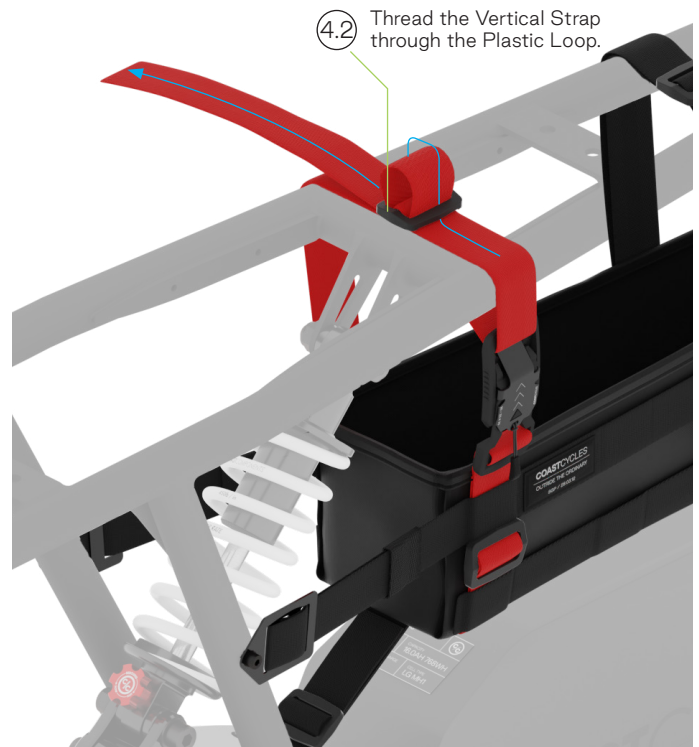
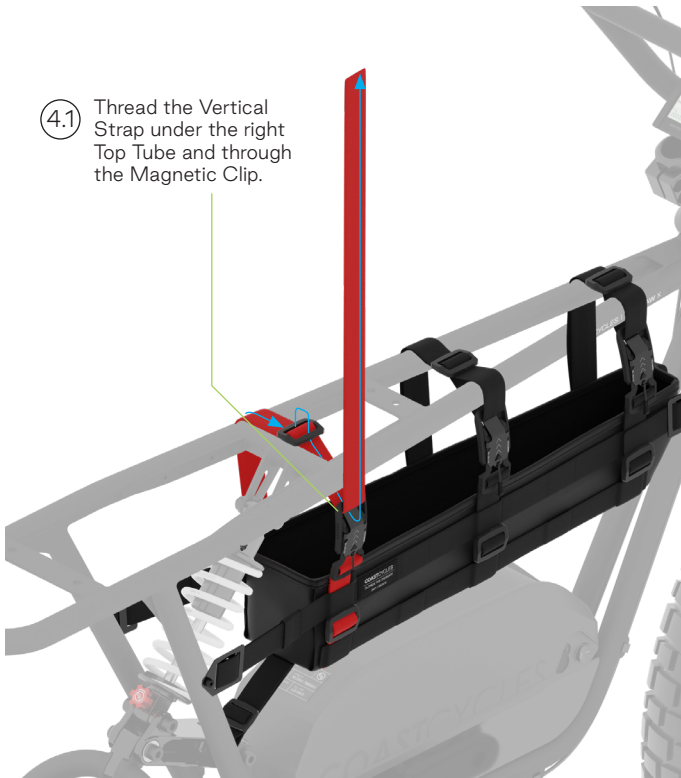
STEP 2 – TIGHTENER MOUNT INSTALLATION



STEP 3 – REAR STRAP INSTALLATION

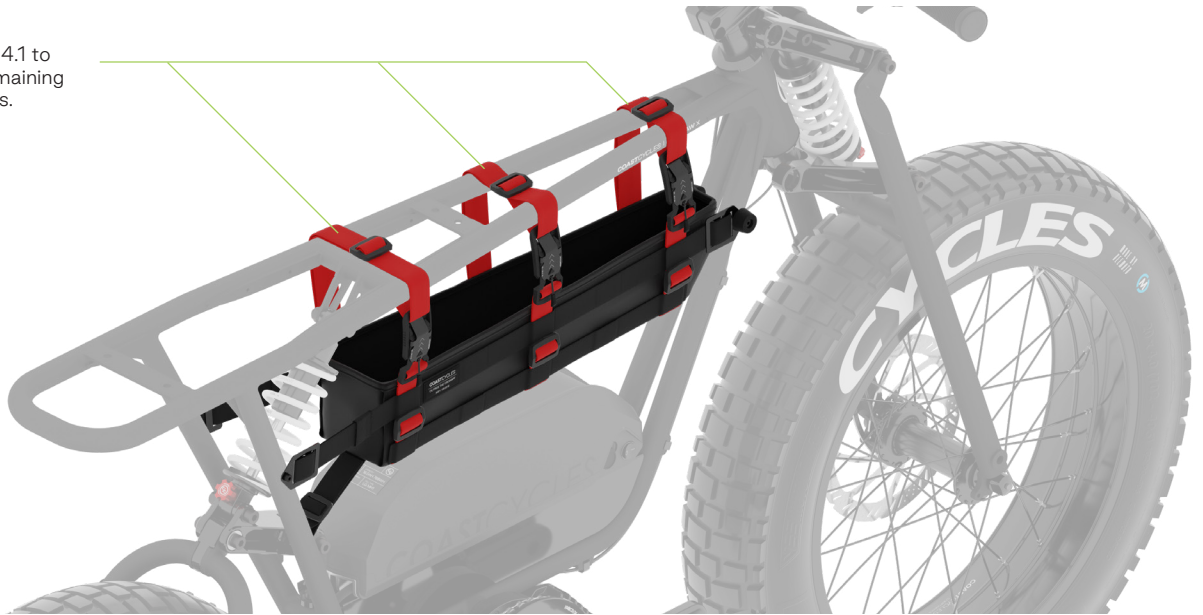


STEP 4 – VERTICAL STRAP INSTALLATION



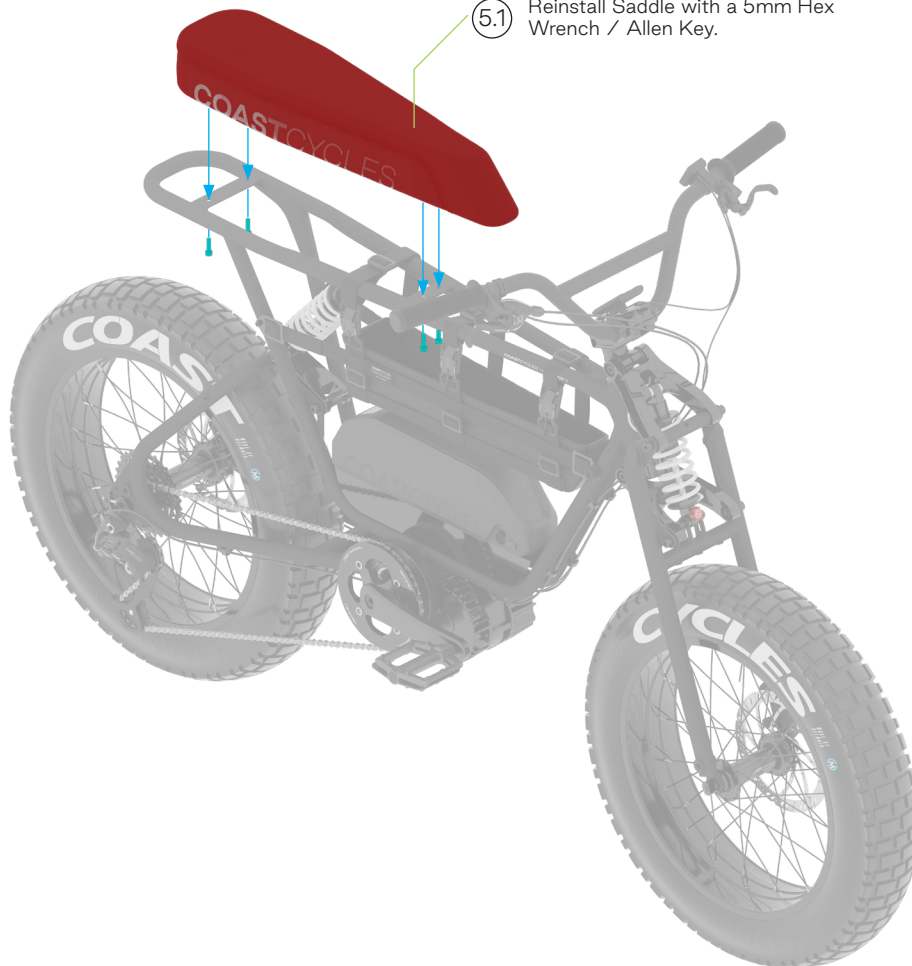
STEP 4 – VERTICAL STRAP INSTALLATION

- ④.4 Repeat steps 4.1 to 4.3 for the remaining Vertical Straps.



STEP 5 – SADDLE ASSEMBLY

- ⑤.1 Reinstall Saddle with a 5mm Hex Wrench / Allen Key.



STEP 6 – COMPLETED INSTALLATION



COASTCYCLES