

OUTRIDE
THE
ORDINARY

INSTALLATION GUIDE

BUZZRAW CLASSIC



CARGO BAG

@coastcycles
<http://coastcycles.com>

CONTENT PAGE

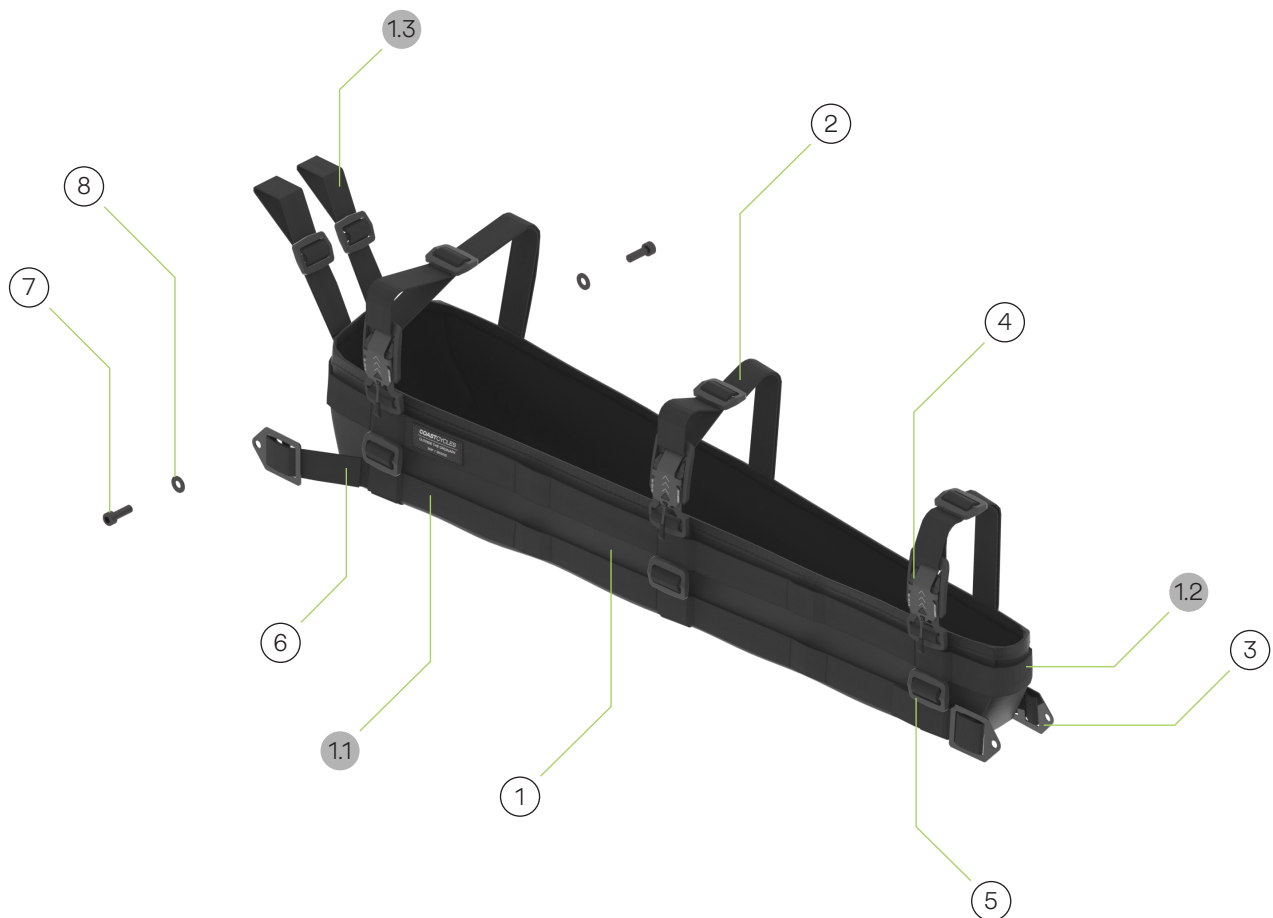
BOX CONTENTS	2
INSTALLATION PROCEDURE	
Step 1 – Saddle Disassembly	3
Step 2 – Tightener Mount Installation	4
Step 3 – Rear Strap Installation	5
Step 4 – Vertical Strap Installation	6-7
Step 5 – Saddle Assembly	7
Step 6 – Completed Installation	8

REQUIRED TOOLS

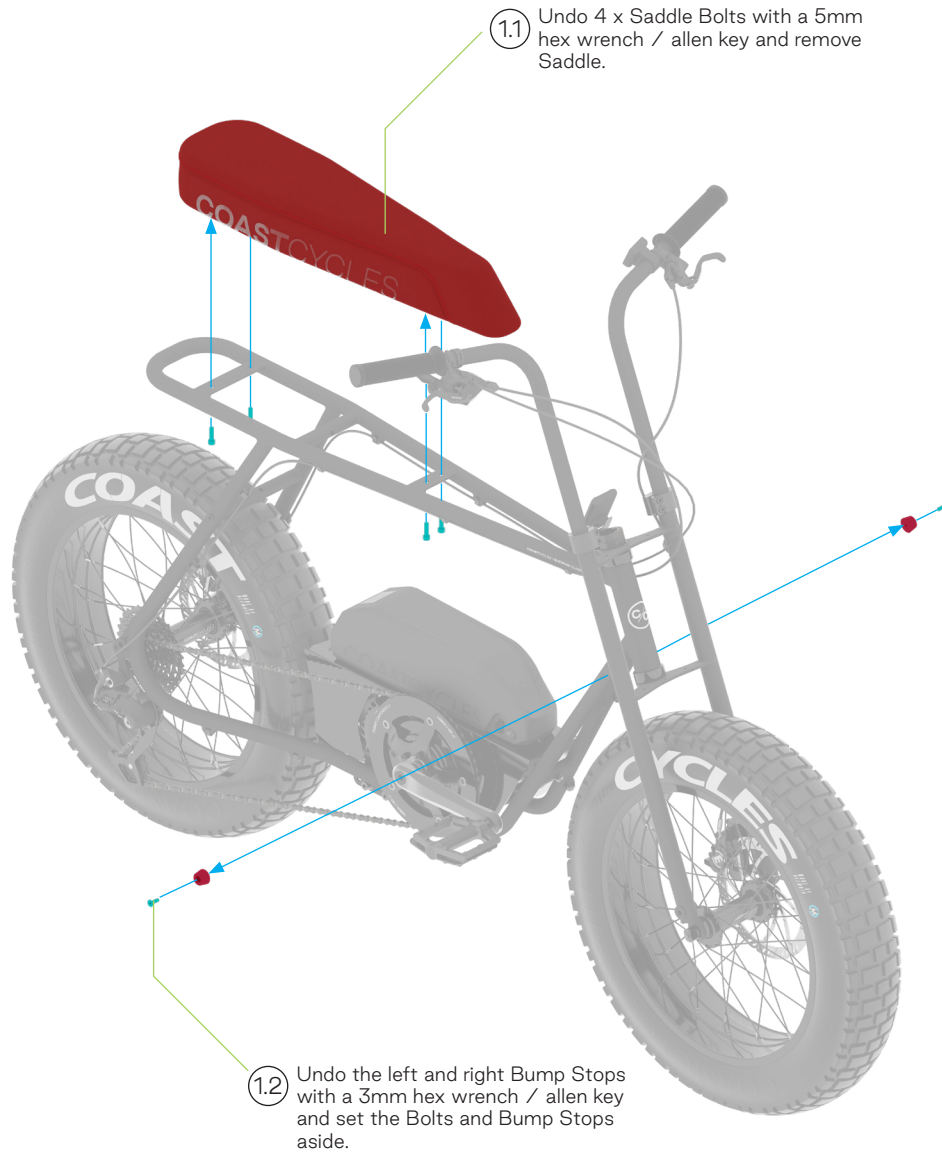
3mm Hex Wrench / Allen Key
5mm Hex Wrench / Allen Key

PACKAGE CONTENTS

1. Buzzraw Classic Cargo Bag	- 1 pc
1.1 Support Strap	- 2 pcs
1.2 Border Strap	- 1 pcs
1.3 Rear Strap	- 2 pcs
2. Vertical Strap	- 4 pcs
3. Tightener Mounts	- 4 pcs
4. Magnetic Clip	- 4 pcs
5. Plastic Loop	- 10 pcs
6. Elastic Strap Sleeve	- 2 pcs
7. M6 Bolt	- 2 pcs
8. M6 Washer	- 2 pcs

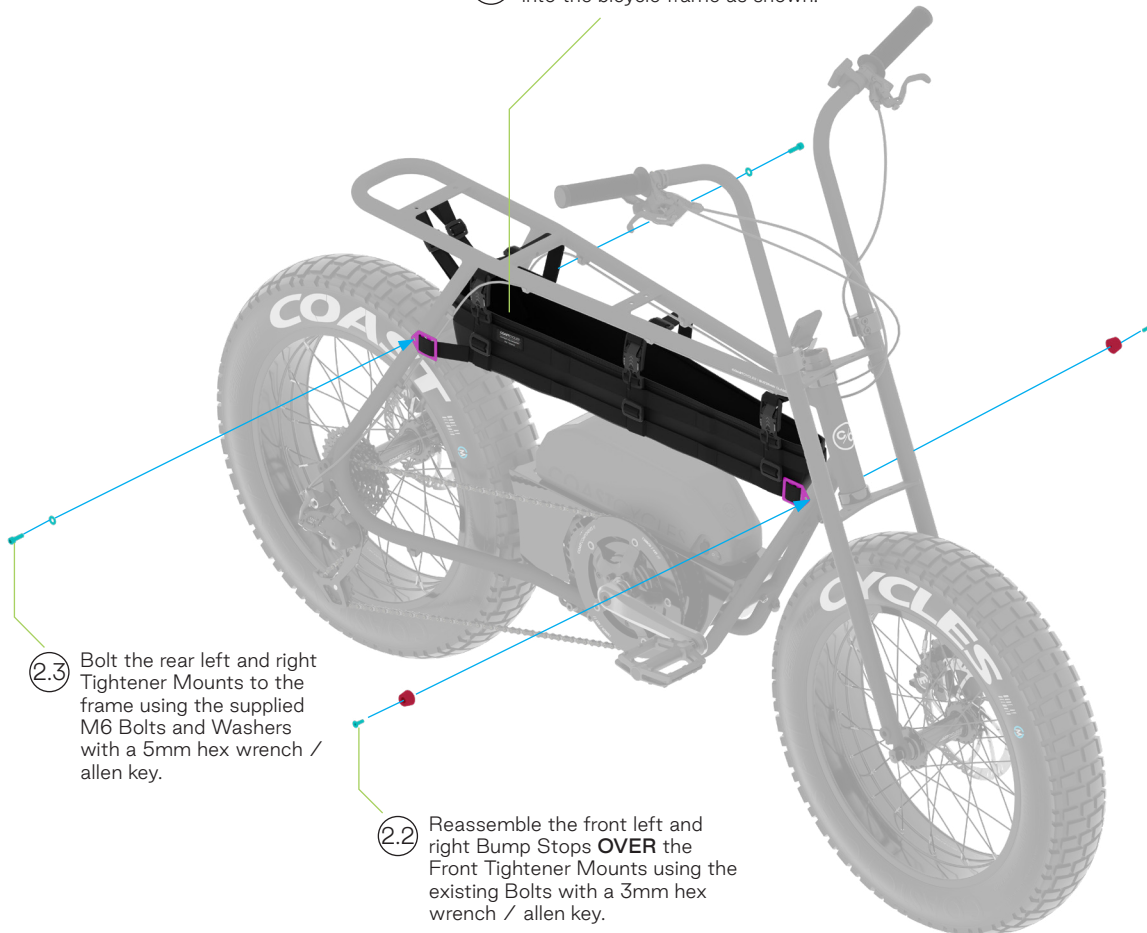


STEP 1 – SADDLE DISASSEMBLY



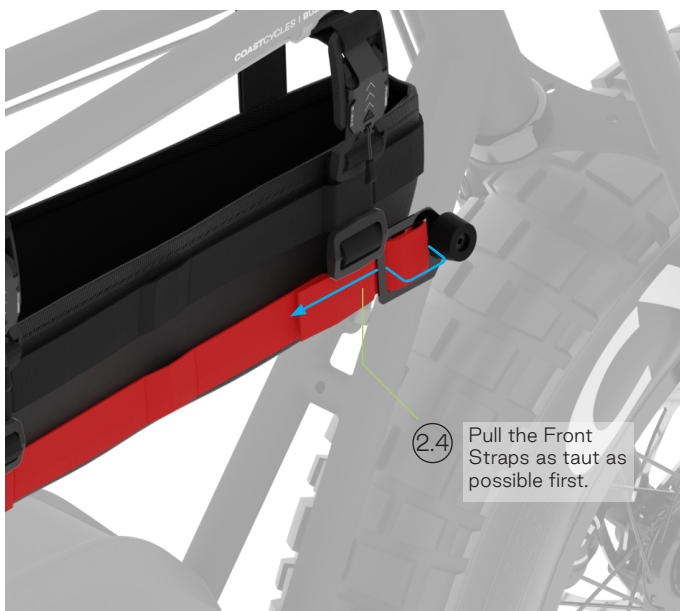
STEP 2 – TIGHTENER MOUNT INSTALLATION

2.1 Place the Buzzraw Classic Cargo Bag into the bicycle frame as shown.

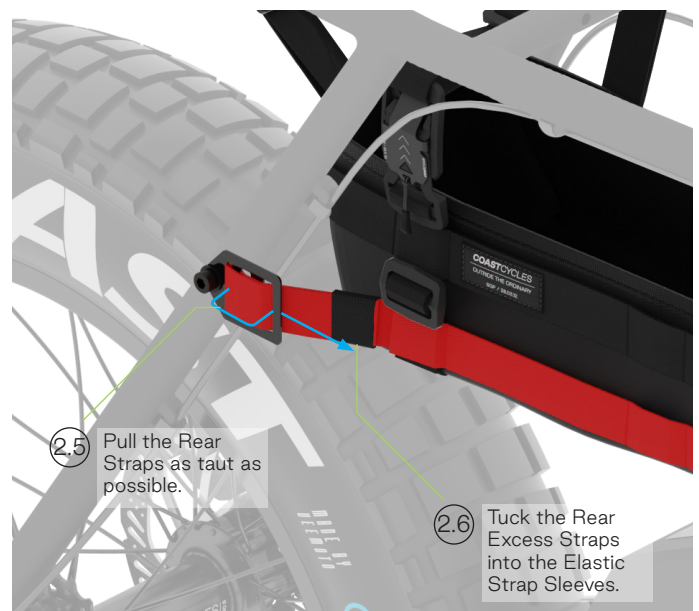


2.3 Bolt the rear left and right Tightener Mounts to the frame using the supplied M6 Bolts and Washers with a 5mm hex wrench / allen key.

2.2 Reassemble the front left and right Bump Stops **OVER** the Front Tightener Mounts using the existing Bolts with a 3mm hex wrench / allen key.



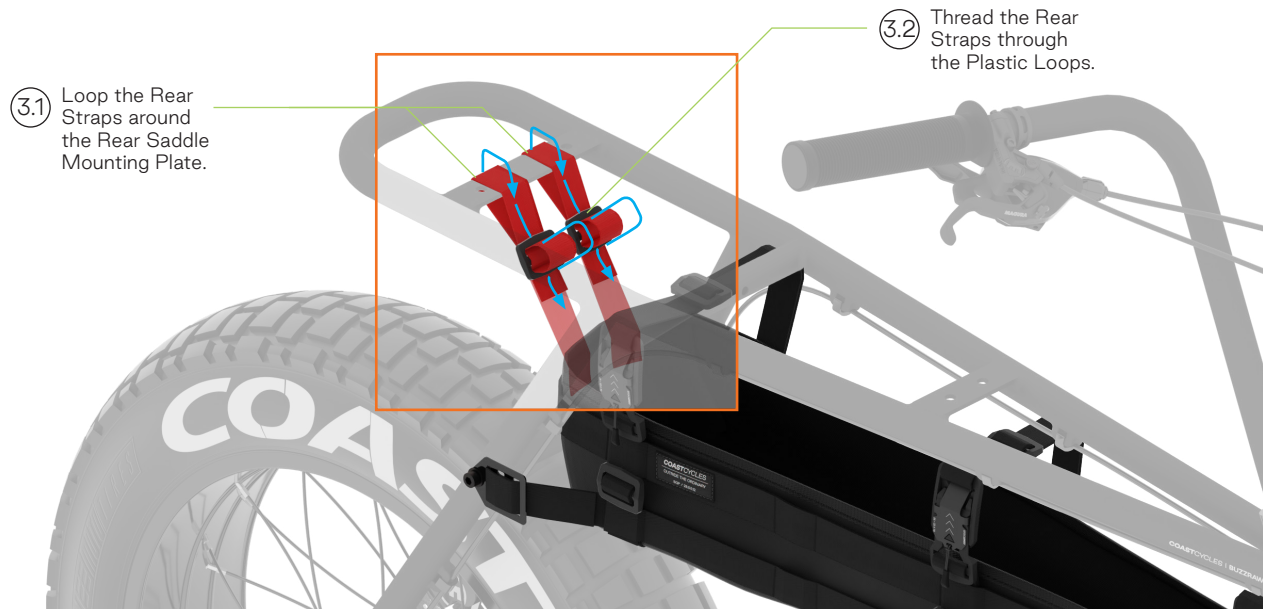
2.4 Pull the Front Straps as taut as possible first.



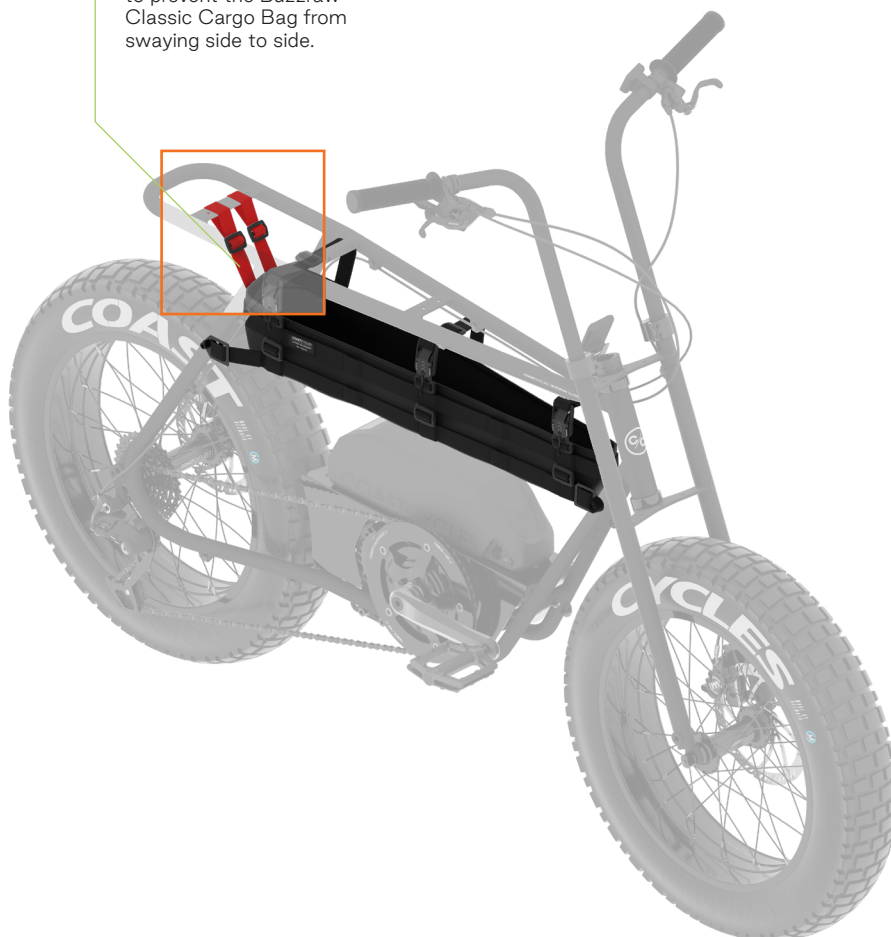
2.5 Pull the Rear Straps as taut as possible.

2.6 Tuck the Rear Excess Straps into the Elastic Strap Sleeves.

STEP 3 – REAR STRAP INSTALLATION

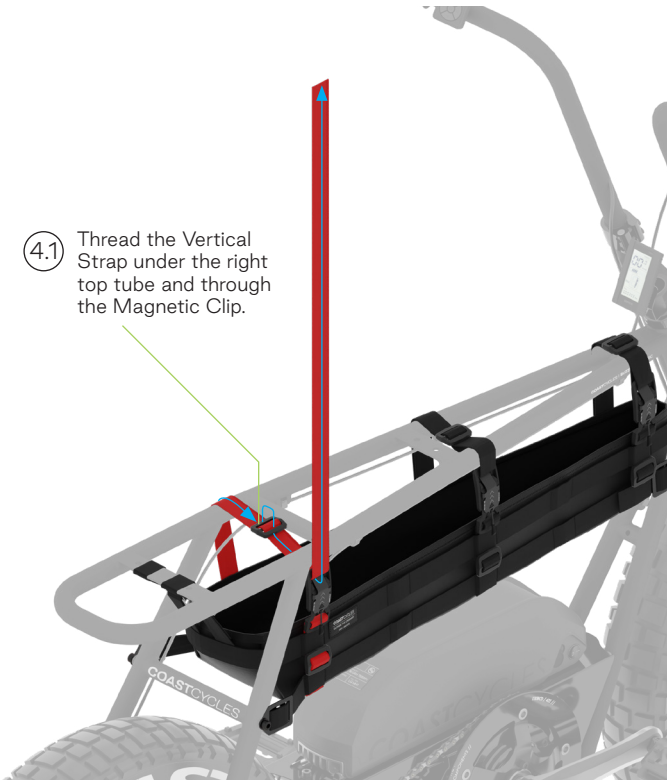


③.3 Ensure the Rear Straps are as taut as possible to prevent the Buzzraw Classic Cargo Bag from swaying side to side.

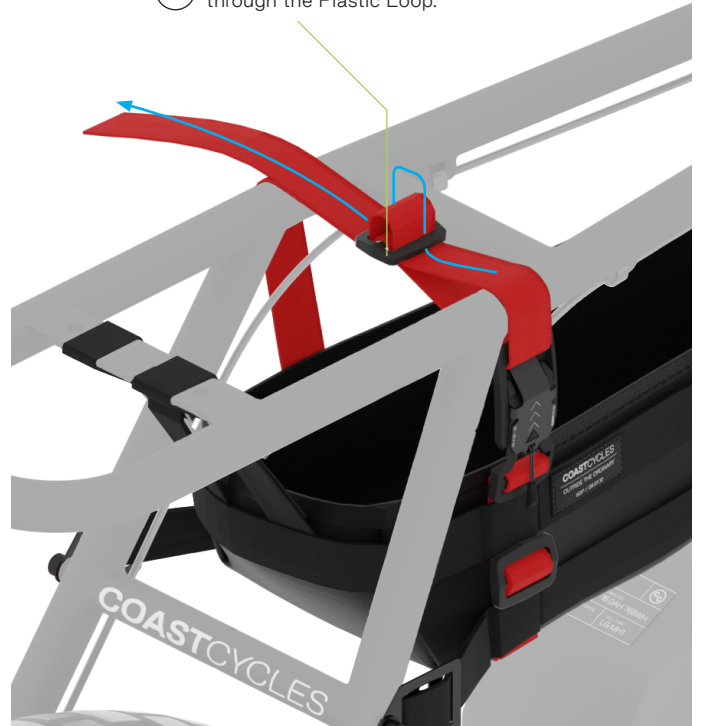


STEP 4 – VERTICAL STRAP INSTALLATION

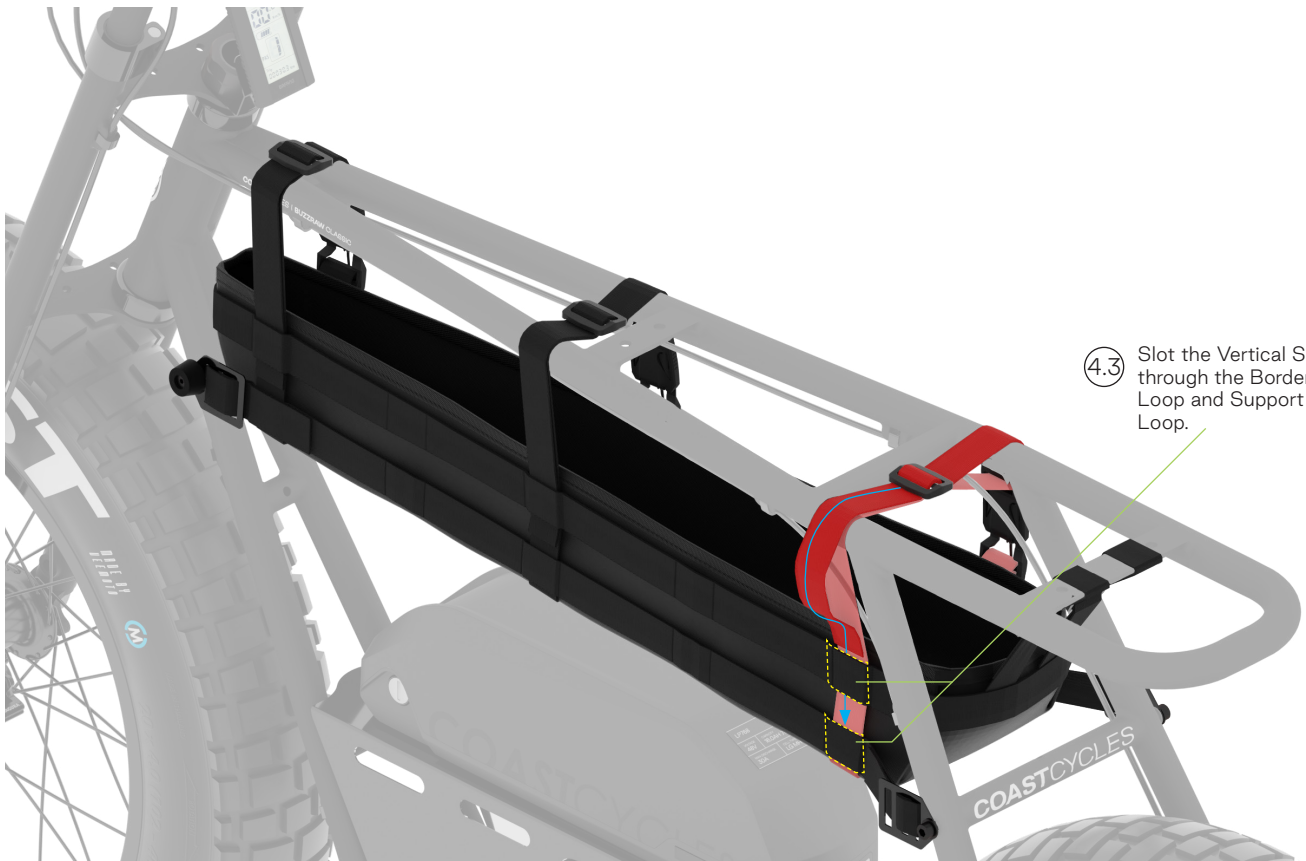
4.1 Thread the Vertical Strap under the right top tube and through the Magnetic Clip.



4.2 Thread the Vertical Strap through the Plastic Loop.

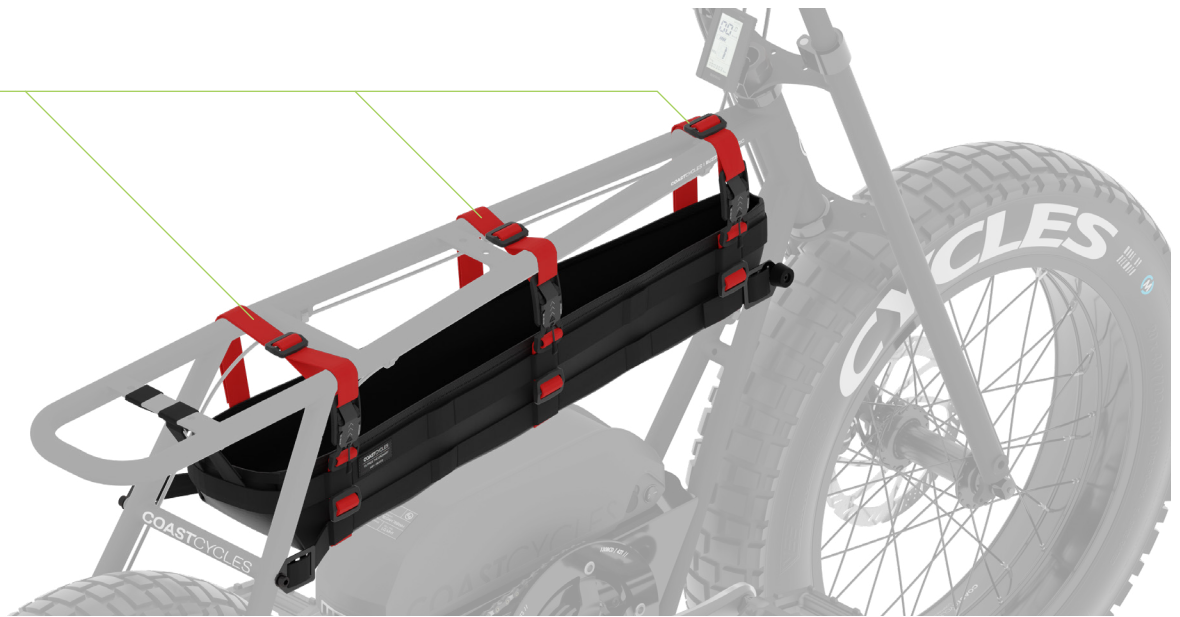


4.3 Slot the Vertical Strap through the Border Strap Loop and Support Strap Loop.



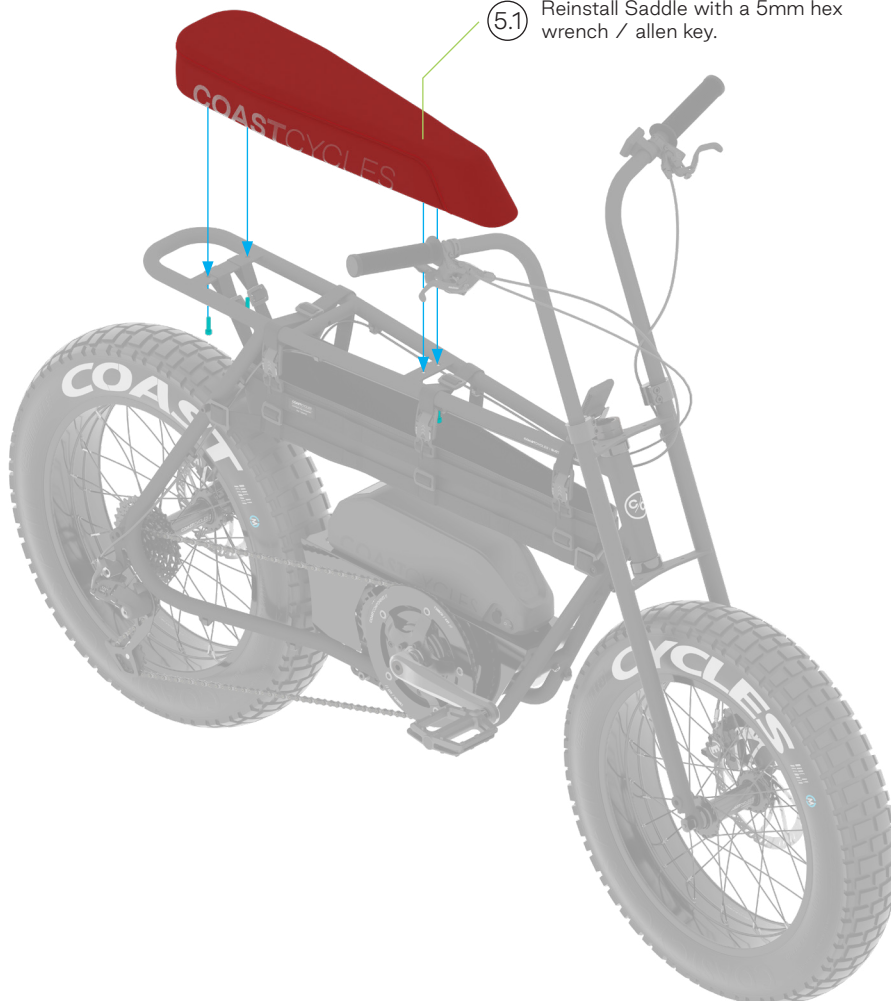
STEP 4 – VERTICAL STRAP INSTALLATION

- ④.4 Repeat steps 4.1 to 4.3 for the remaining Vertical Straps.



STEP 5 – SADDLE ASSEMBLY

- ⑤.1 Reinstall Saddle with a 5mm hex wrench / allen key.



STEP 6 – COMPLETED INSTALLATION



COASTCYCLES