

OUTRIDE
THE
ORDINARY

INSTALLATION GUIDE

BUZZRAW PRO



CARGO BAG

@coastcycles
<http://coastcycles.com>

CONTENT PAGE

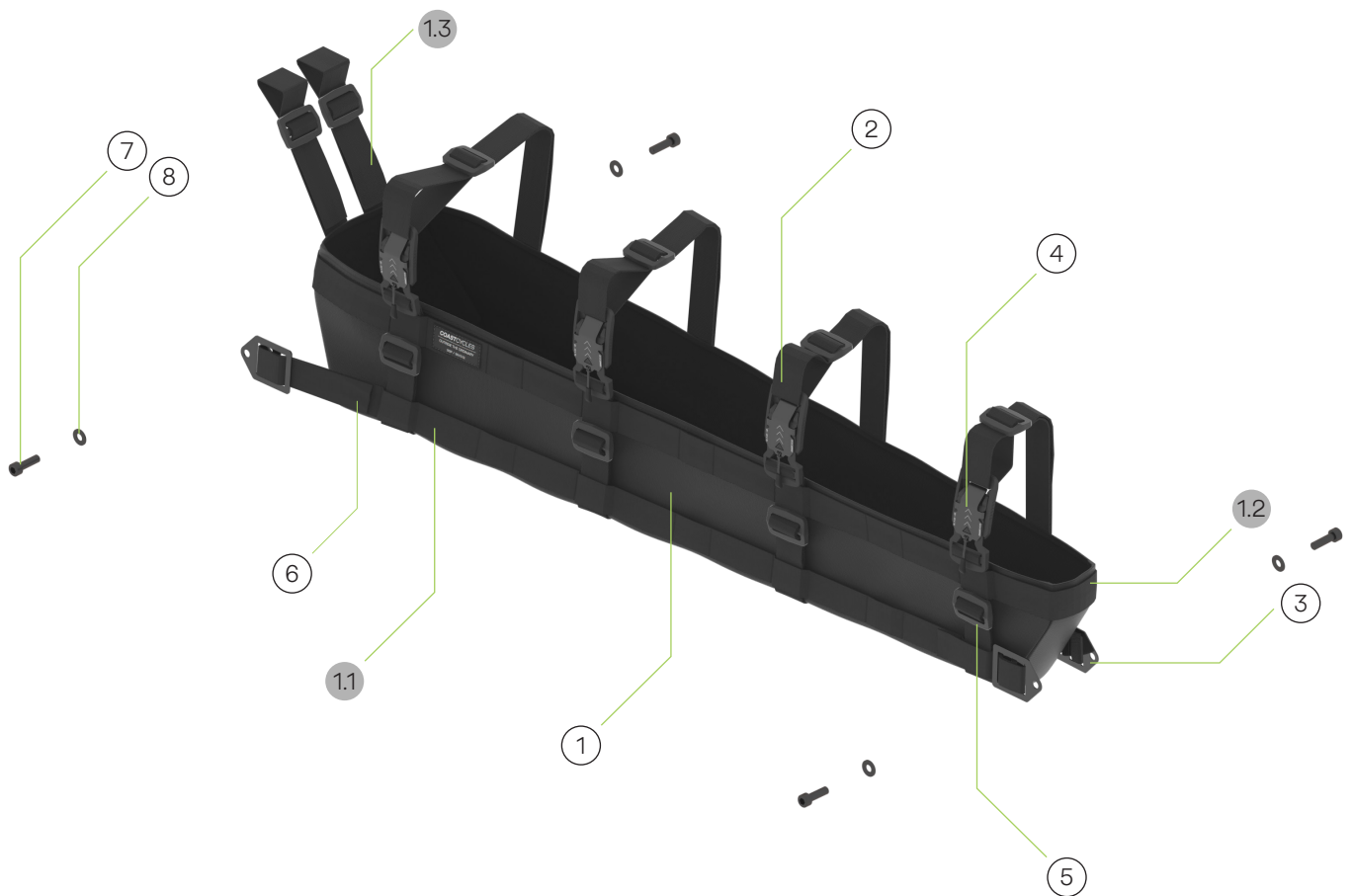
PACKAGE CONTENTS	2
INSTALLATION PROCEDURE	
Step 1 – Saddle Disassembly	3
Step 2 – Tightener Mount Installation	4
Step 3 – Rear Strap Installation	5
Step 4 – Vertical Strap Installation	6-7
Step 5 – Saddle Assembly	7
Step 6 – Completed Installation	8

REQUIRED TOOLS

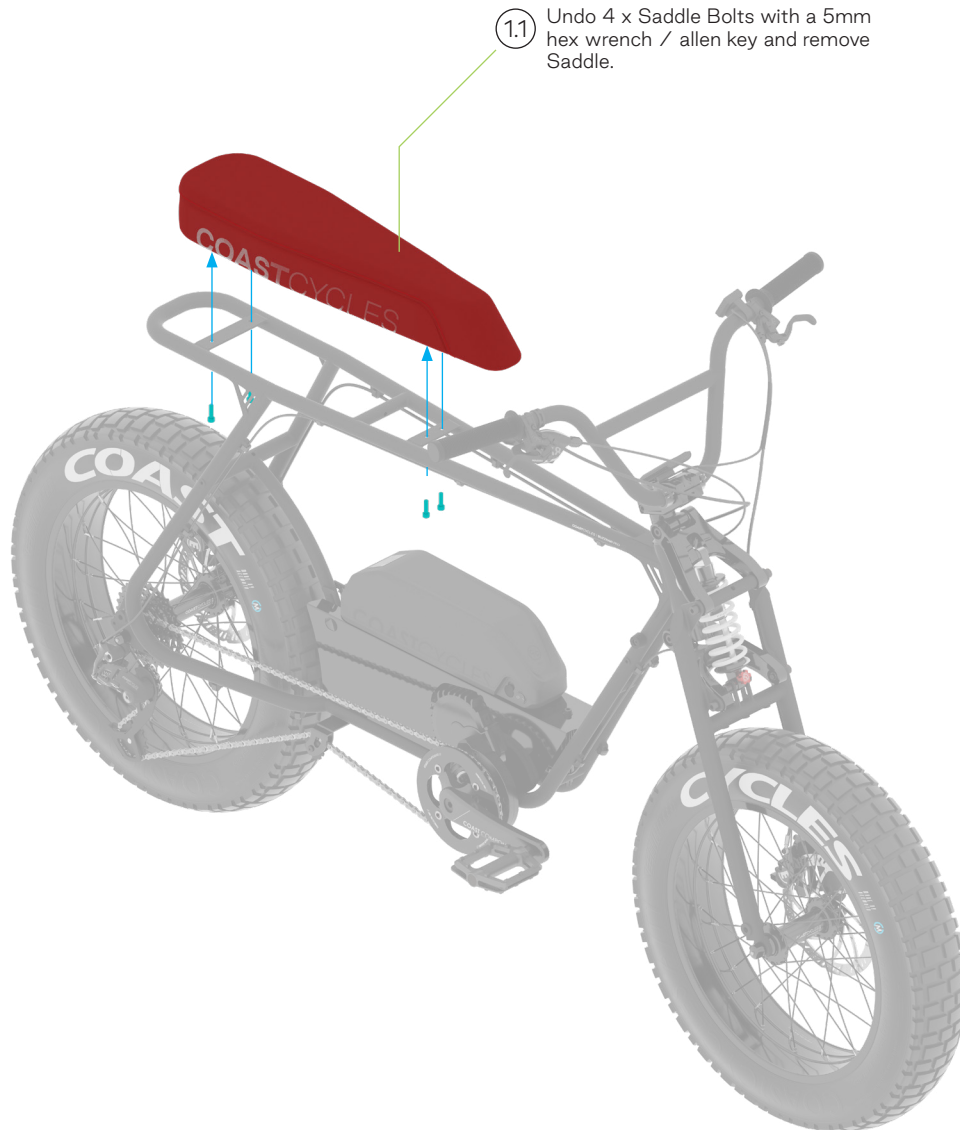
5mm Hex Wrench / Allen Key

PACKAGE CONTENTS

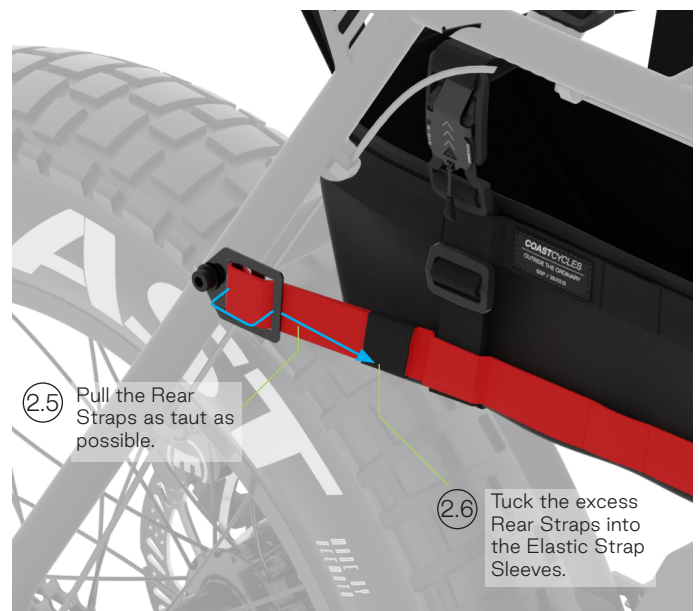
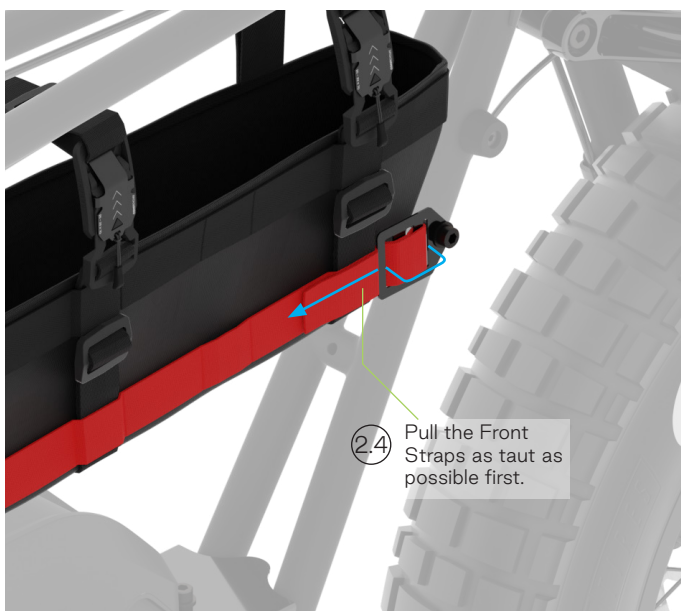
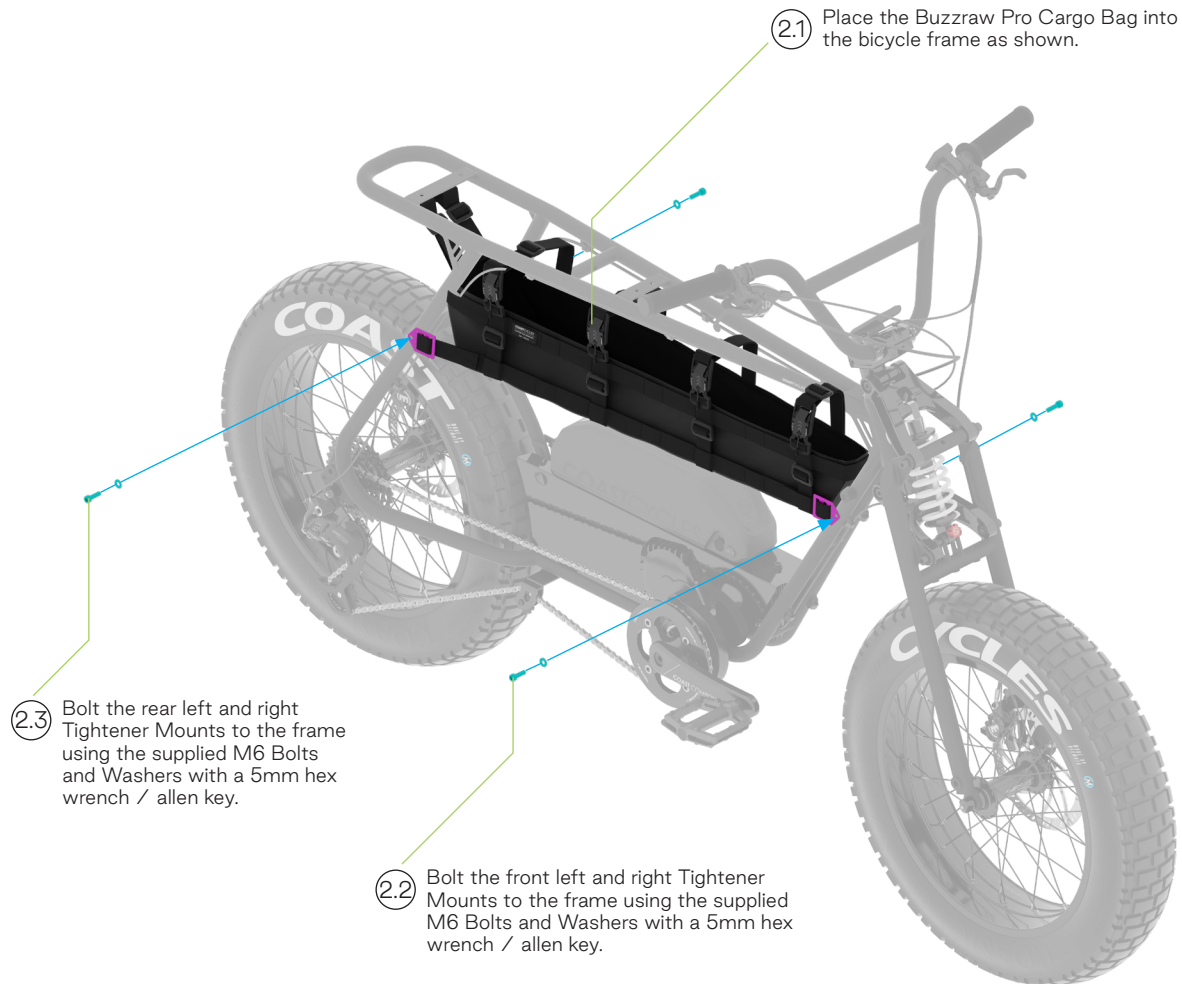
1. Buzzraw Pro Cargo Bag	- 1 pc
1.1 Support Strap	- 2 pcs
1.2 Border Strap	- 1 pc
1.3 Rear Strap	- 2 pcs
2. Vertical Strap	- 4 pcs
3. Tightener Mount	- 4 pcs
4. Magnetic Clip	- 4 pcs
5. Plastic Loop	- 10 pcs
6. Elastic Strap Sleeve	- 2 pcs
7. M6 Bolt	- 4 pcs
8. M6 Washer	- 4 pcs



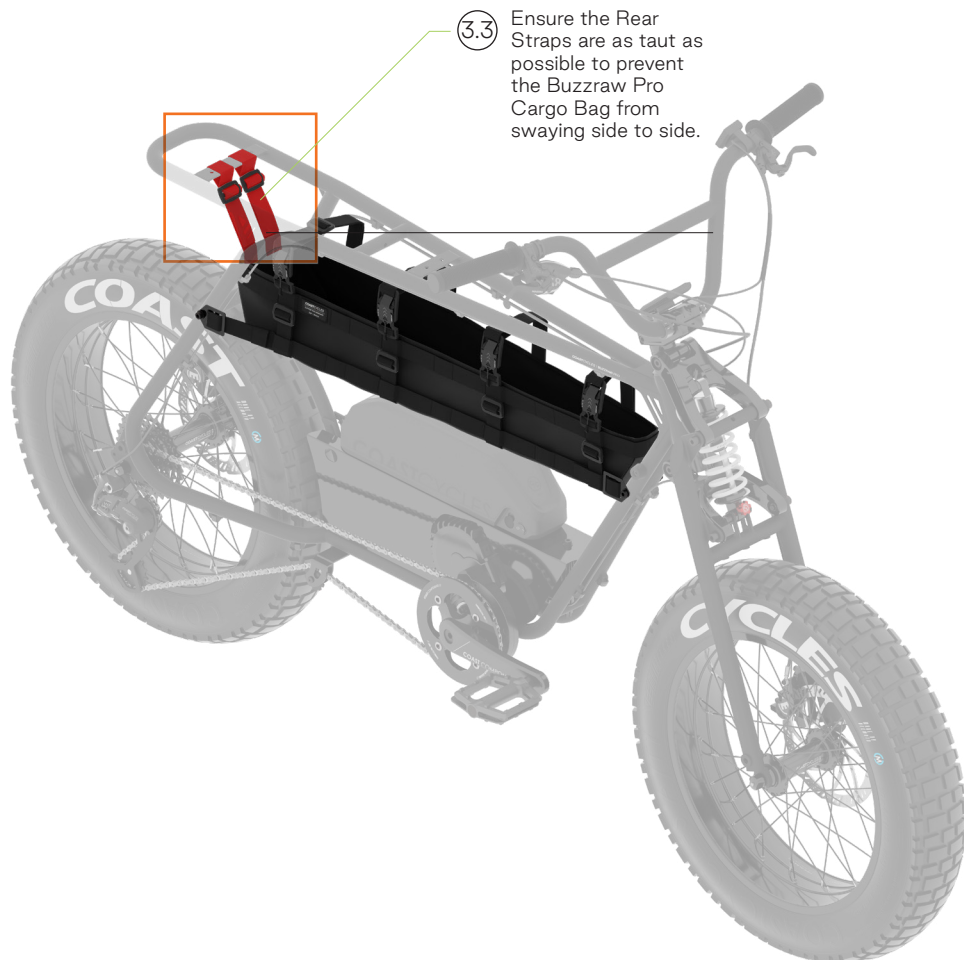
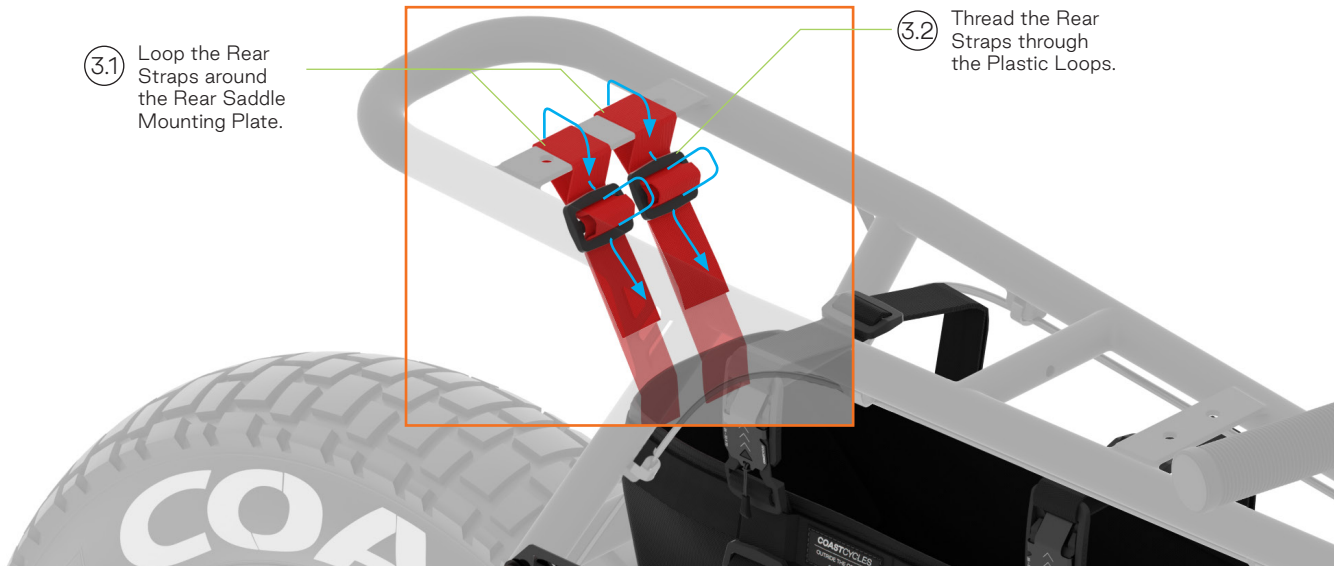
STEP 1 – SADDLE DISASSEMBLY



STEP 2 – TIGHTENER MOUNT INSTALLATION

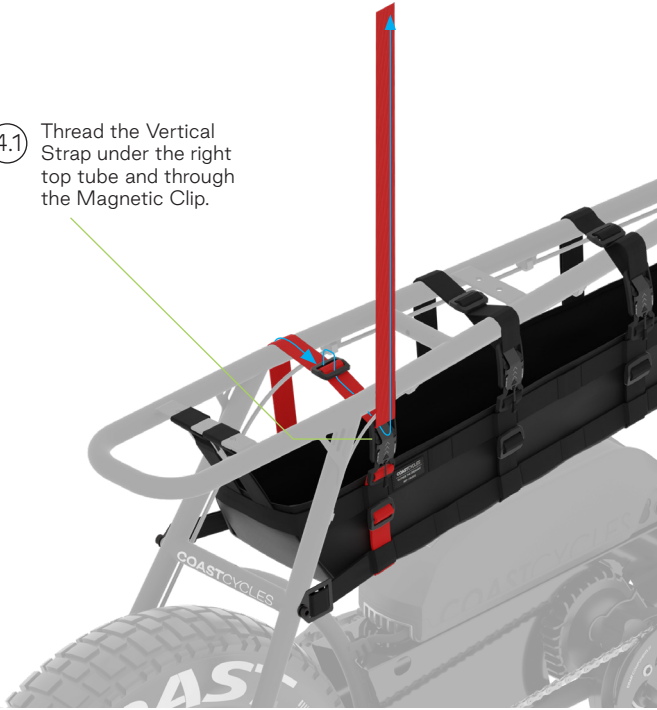


STEP 3 – REAR STRAP INSTALLATION



STEP 4 – VERTICAL STRAP INSTALLATION

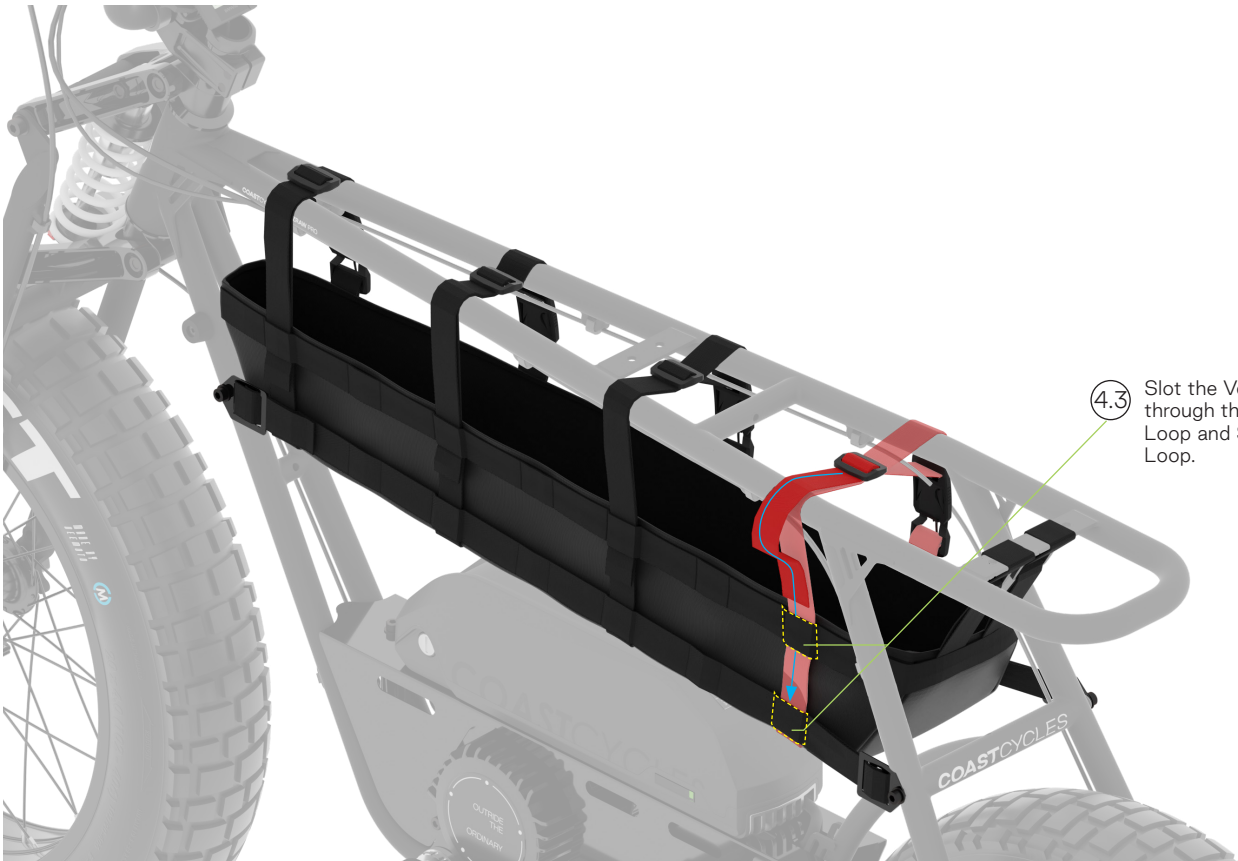
4.1 Thread the Vertical Strap under the right top tube and through the Magnetic Clip.



4.2 Thread the Vertical Strap through the Plastic Loop.

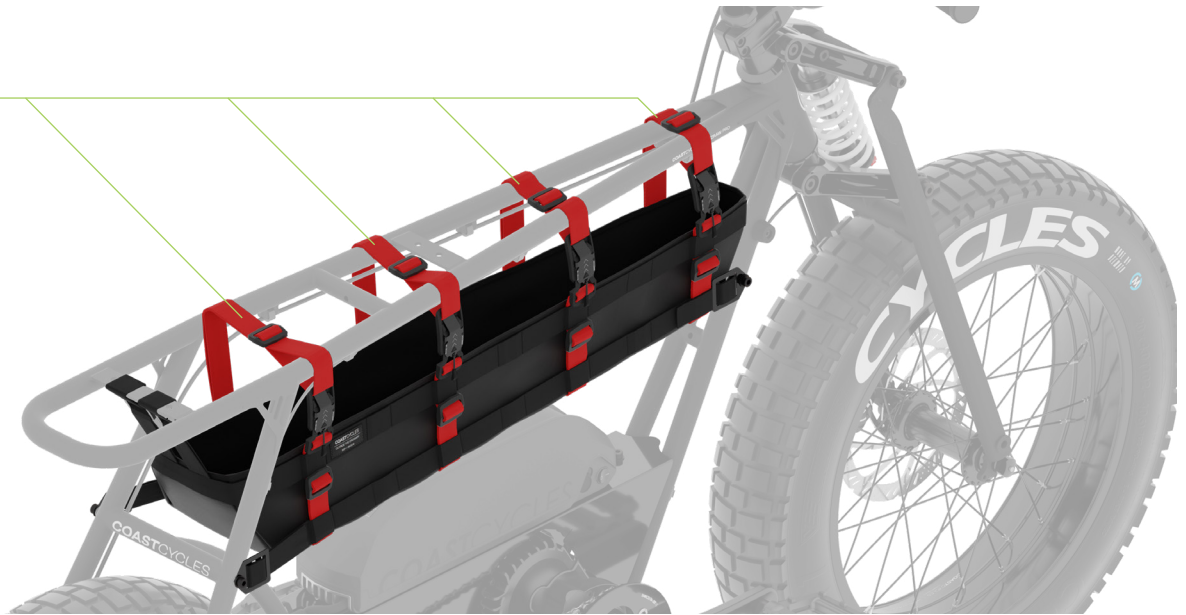


4.3 Slot the Vertical Strap through the Border Strap Loop and Support Strap Loop.



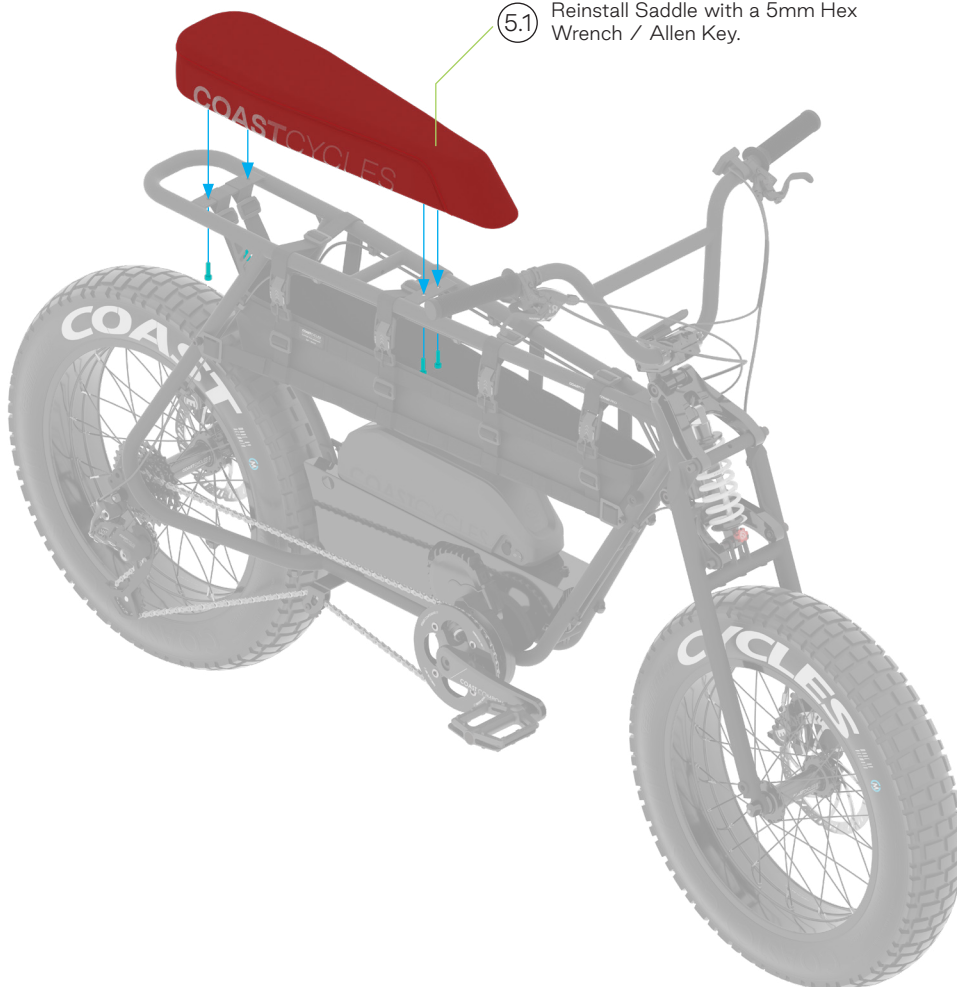
STEP 4 – VERTICAL STRAP INSTALLATION

- 4.4 Repeat steps 4.1 to 4.3 for the remaining Vertical Straps.



STEP 5 – SADDLE ASSEMBLY

- 5.1 Reinstall Saddle with a 5mm Hex Wrench / Allen Key.



STEP 6 – COMPLETED INSTALLATION



COASTCYCLES