

OUTRIDE
THE
ORDINARY

ASSEMBLY GUIDE

BUZZRAW X



BIKE ASSEMBLY

@coastcycles
<http://coastcycles.com>

01. CONTENT PAGE

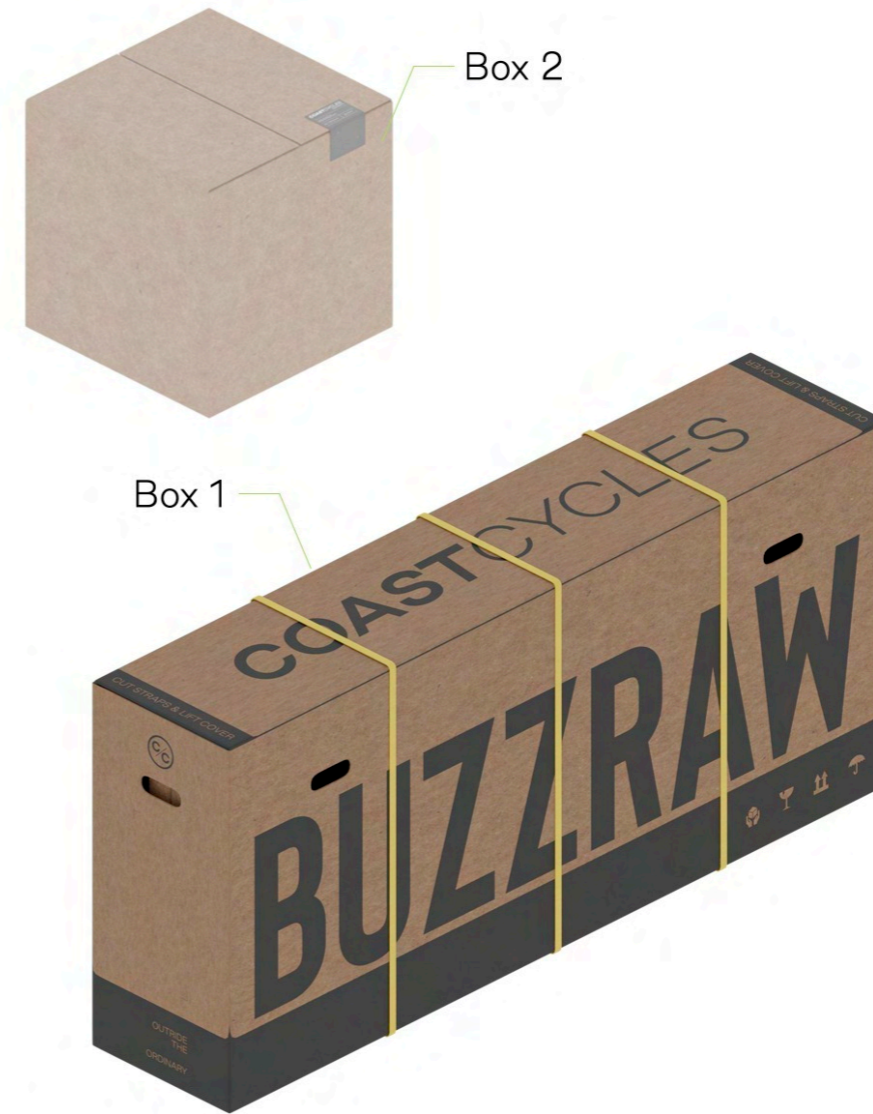
UNBOXING	2 - 9
HANDLEBAR ASSEMBLY	10 - 16
SADDLE ASSEMBLY	17 - 20
TIRE ASSEMBLY	21 - 26
FRONT WHEEL ASSEMBLY	27 - 30
FRONT CALIPER ASSEMBLY	31 - 35
REAR WHEEL ASSEMBLY	36 - 42
REAR CALIPER ASSEMBLY	43 - 47
DERAILLEUR ASSEMBLY	48 - 51
CHAIN ASSEMBLY	52 - 59
PEDAL ASSEMBLY	60 - 65

BUZZRAW X

STEP 1 | UNBOXING

Tool Required

Scissors



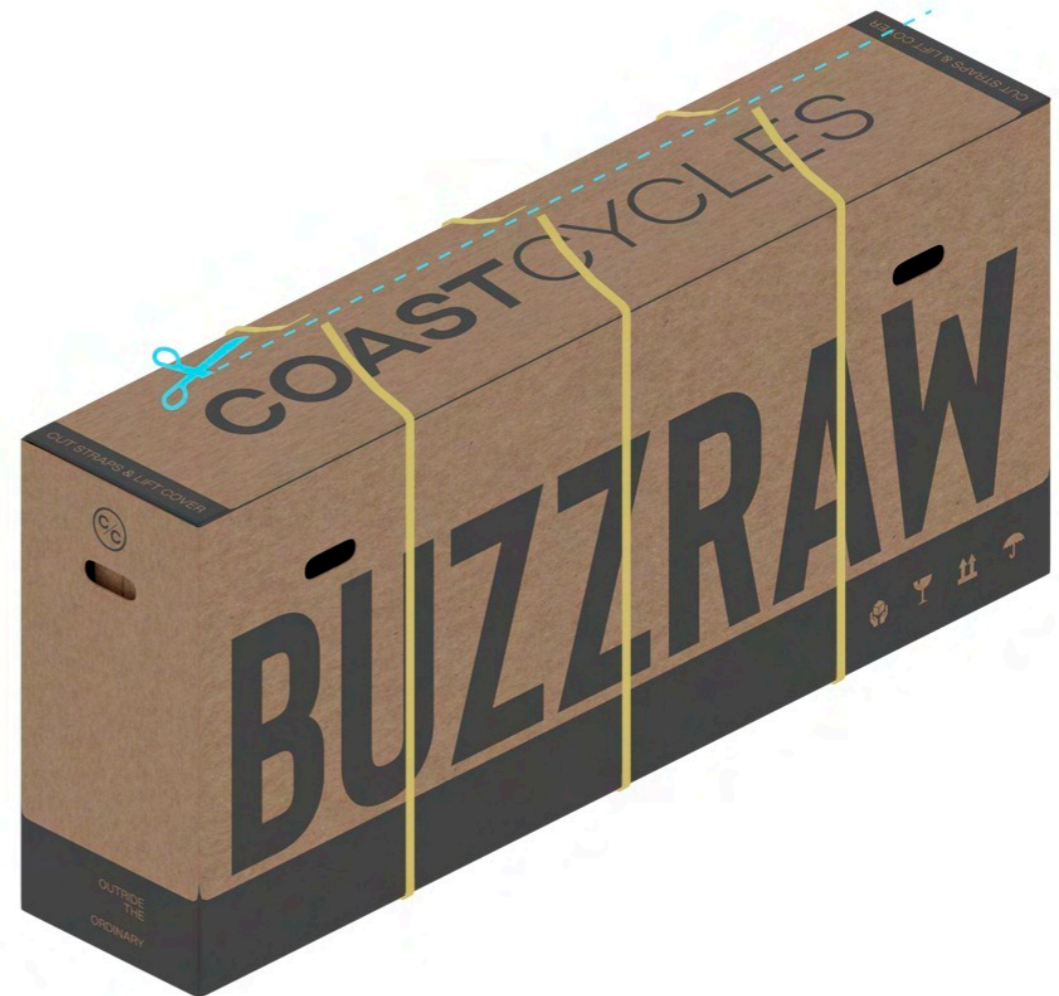
You will receive your bike in two boxes.

BUZZRAW X

STEP 1 | UNBOXING

Tool Required

Scissors



Cut the straps.

BUZZRAW X

STEP 1 | UNBOXING

Tool Required

Scissors



Lift the box up.

BUZZRAW X

STEP 1 | UNBOXING

Tool Required

Scissors



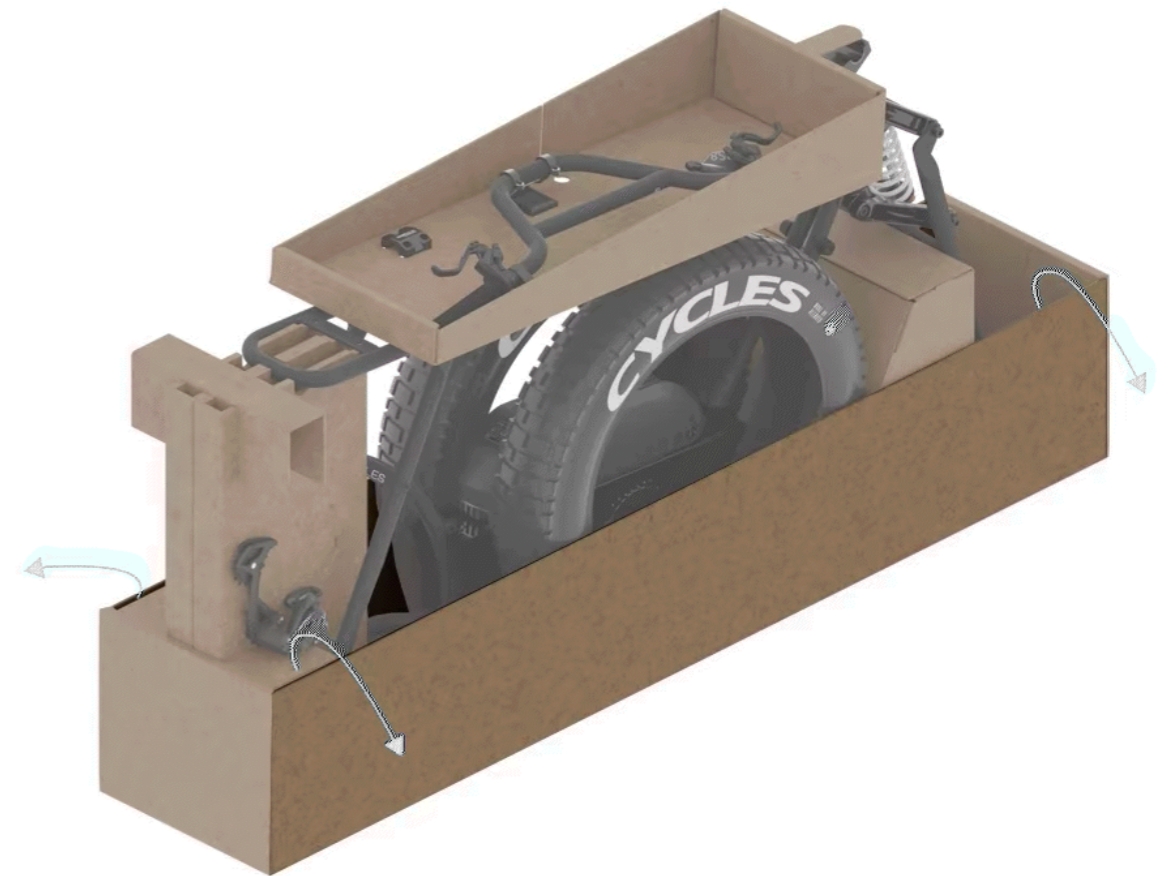
Remove the saddle from the box.

BUZZRAW X

STEP 1 | UNBOXING

Tool Required

Scissors



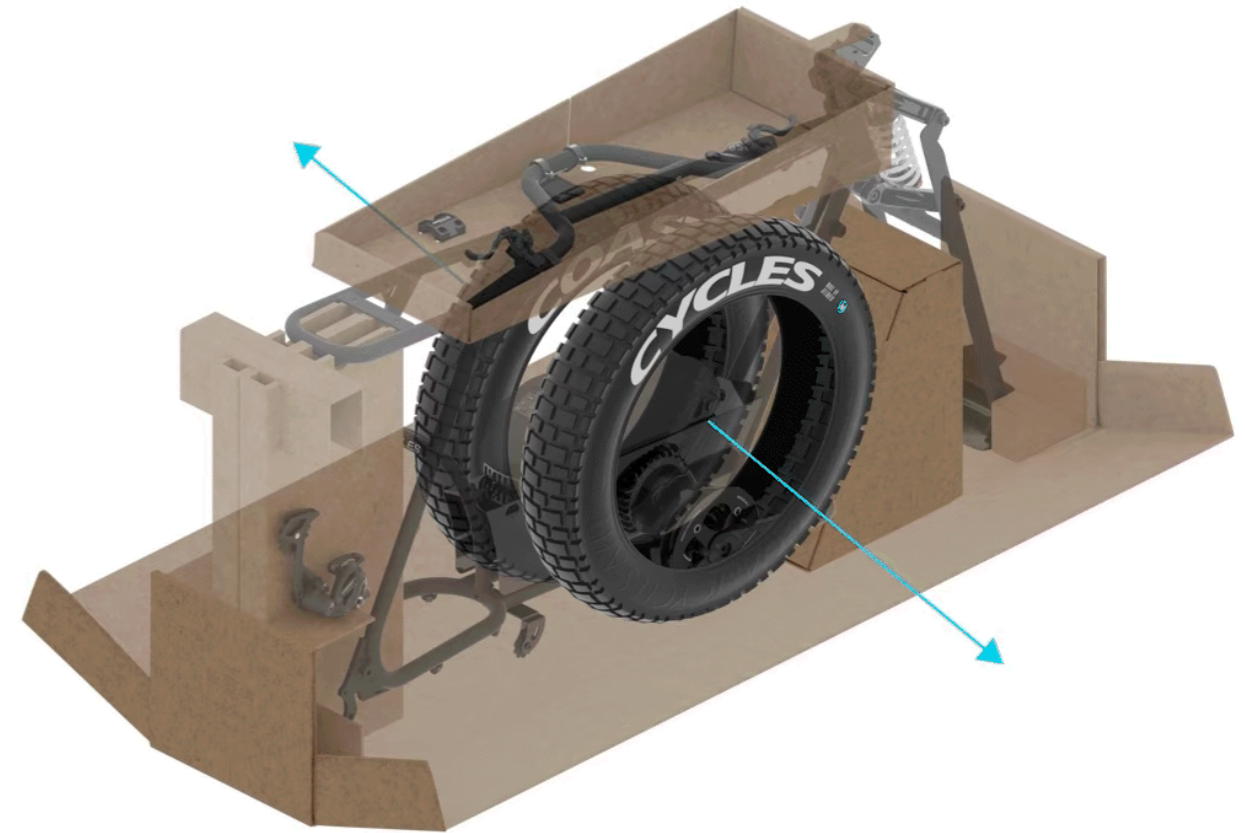
Unfold the sides of the box.

BUZZRAW X

STEP 1 | UNBOXING

Tool Required

Scissors



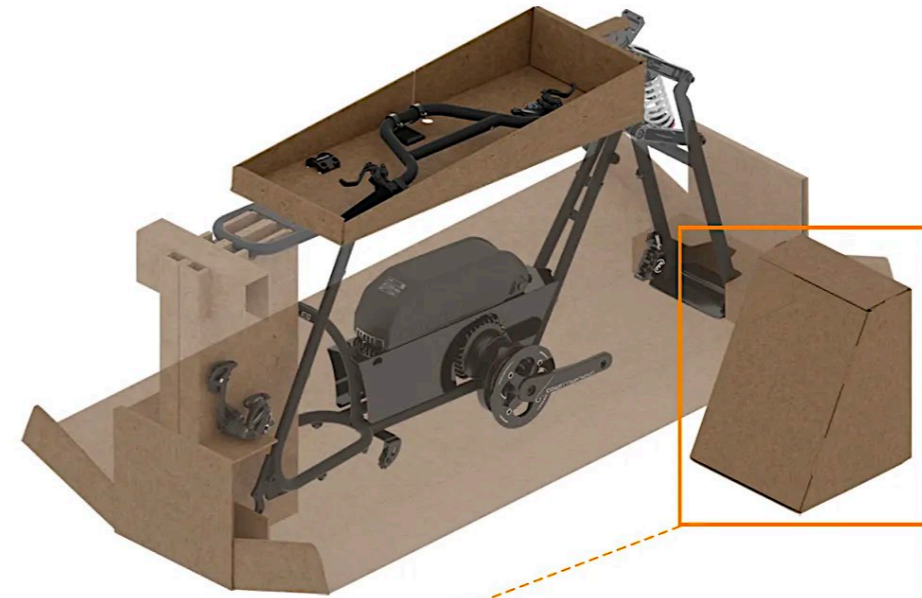
Remove the tires.

BUZZRAW X

STEP 1 | UNBOXING

Tool Required

Scissors



Accessory box contents.



1 x Chain with Quick Links



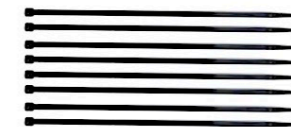
1 Pair Bike Pedal



1 x Toolkit



1 x Reflector Kit



Cable Ties

BUZZRAW X

STEP 1 | UNBOXING

Tool Required

Scissors

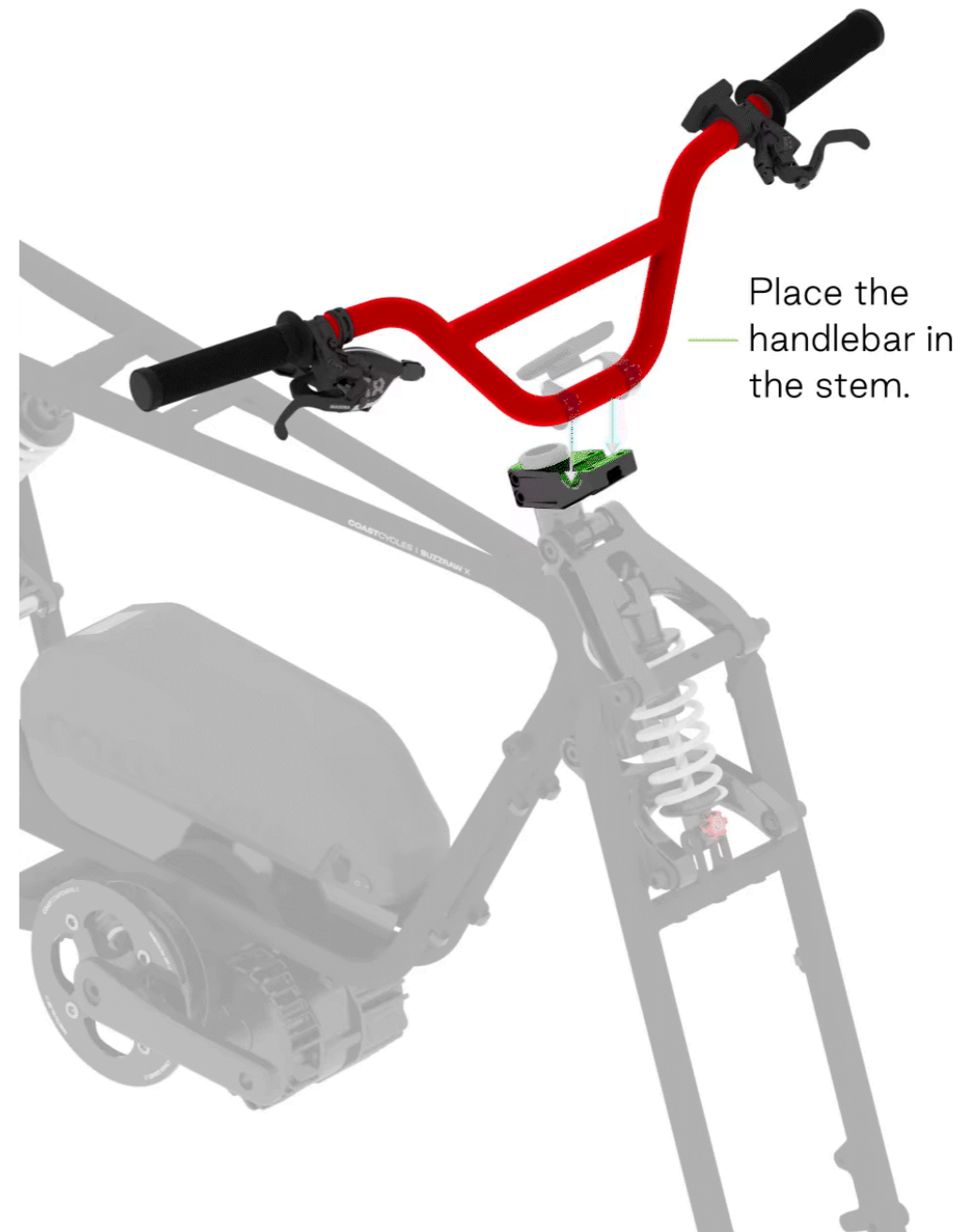


BUZZRAW X

STEP 2 | HANDLEBAR ASSEMBLY

Tool Required

6mm Hex Wrench

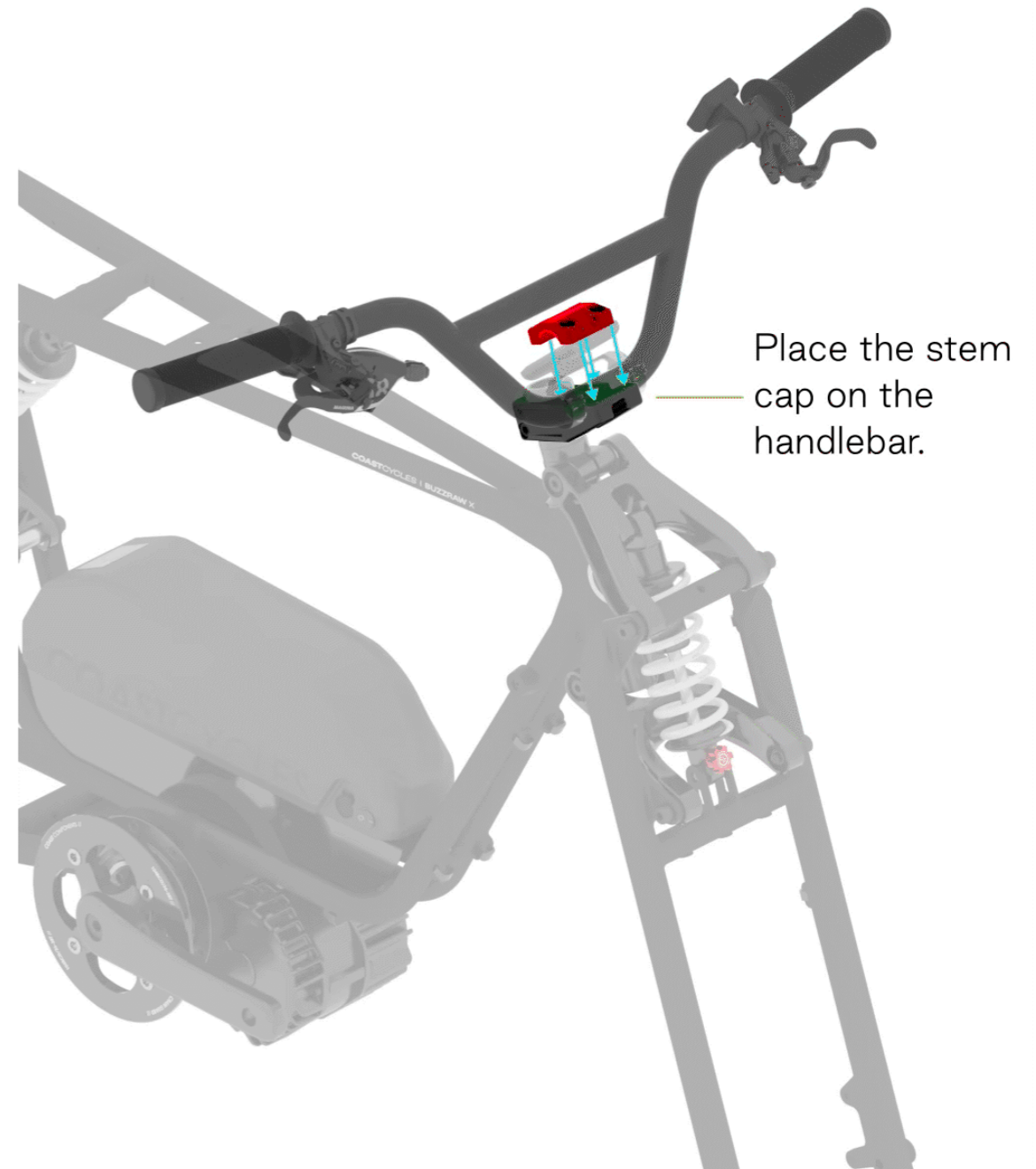


BUZZRAW X

STEP 2 | HANDLEBAR ASSEMBLY

Tool Required

6mm Hex Wrench



BUZZRAW X

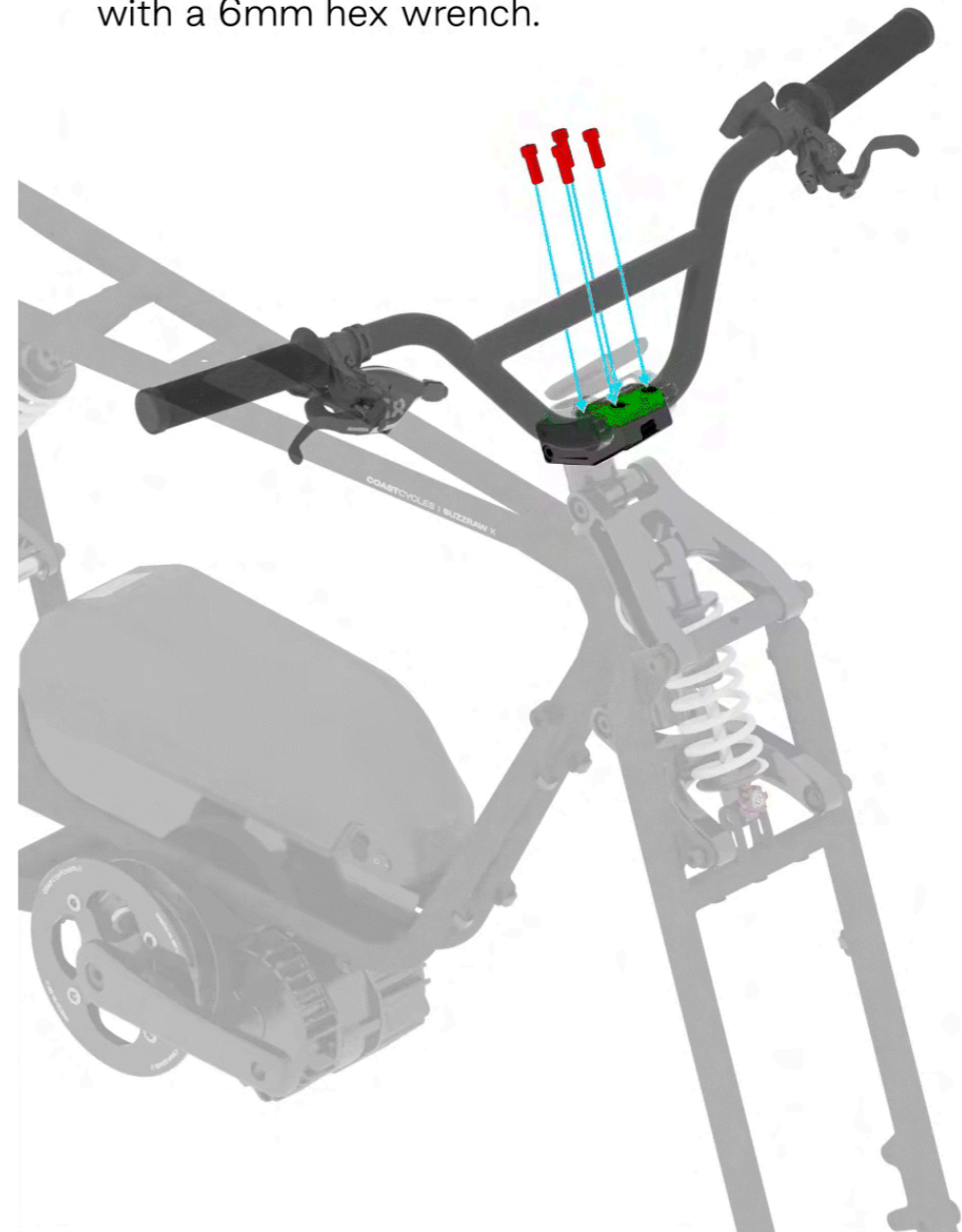
STEP 2 | HANDLEBAR ASSEMBLY

Tool Required

6mm Hex Wrench



Loosely thread the bolts with a 6mm hex wrench.

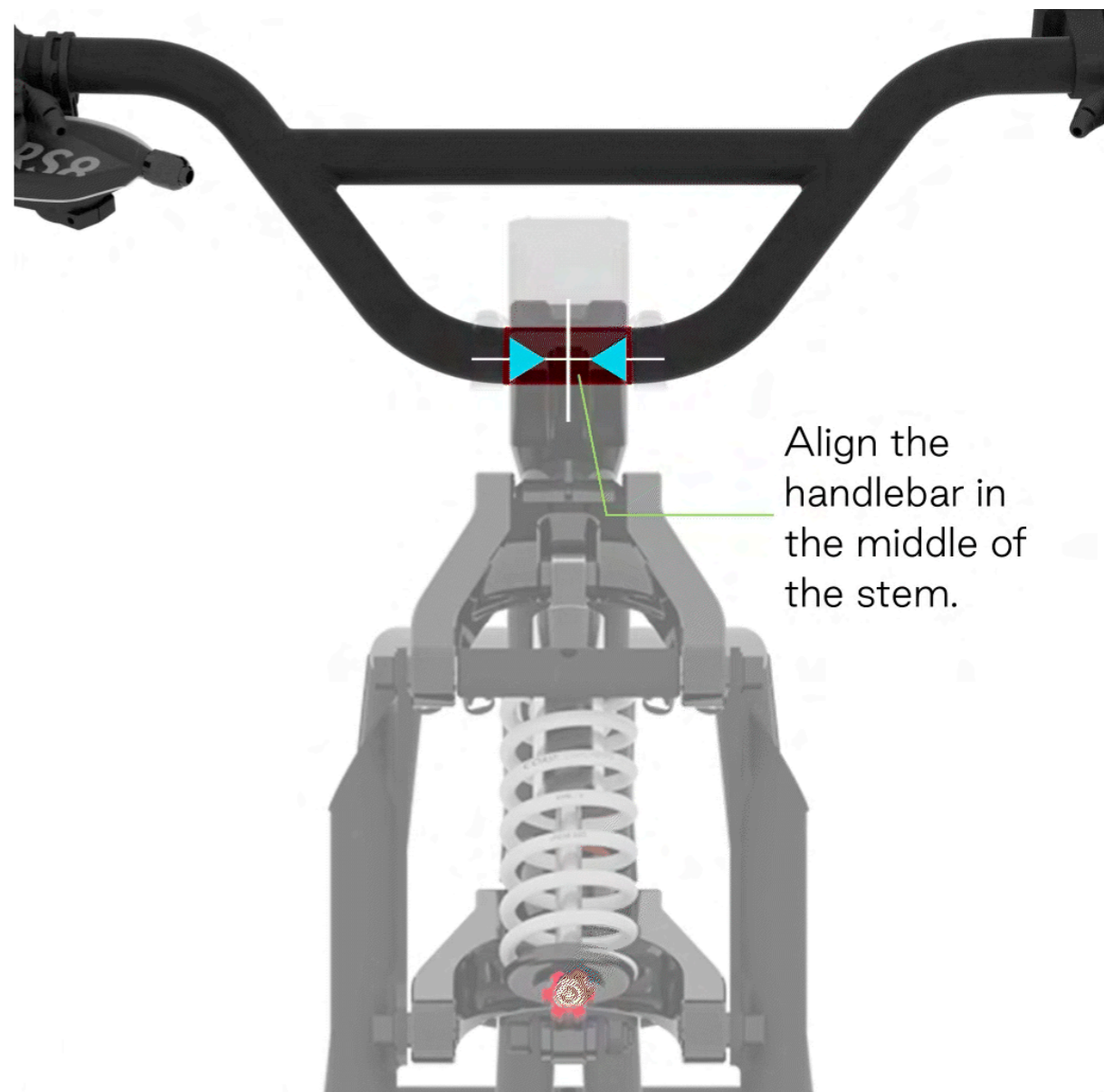


BUZZRAW X

STEP 2 | HANDLEBAR ASSEMBLY

Tool Required

6mm Hex Wrench | 



BUZZRAW X

STEP 2 | HANDLEBAR ASSEMBLY

Tool Required

6mm Hex Wrench | 



BUZZRAW X

STEP 2 | HANDLEBAR ASSEMBLY

Tool Required

6mm Hex Wrench



BUZZRAW X

STEP 2 | HANDLEBAR ASSEMBLY

Tool Required

6mm Hex Wrench | 

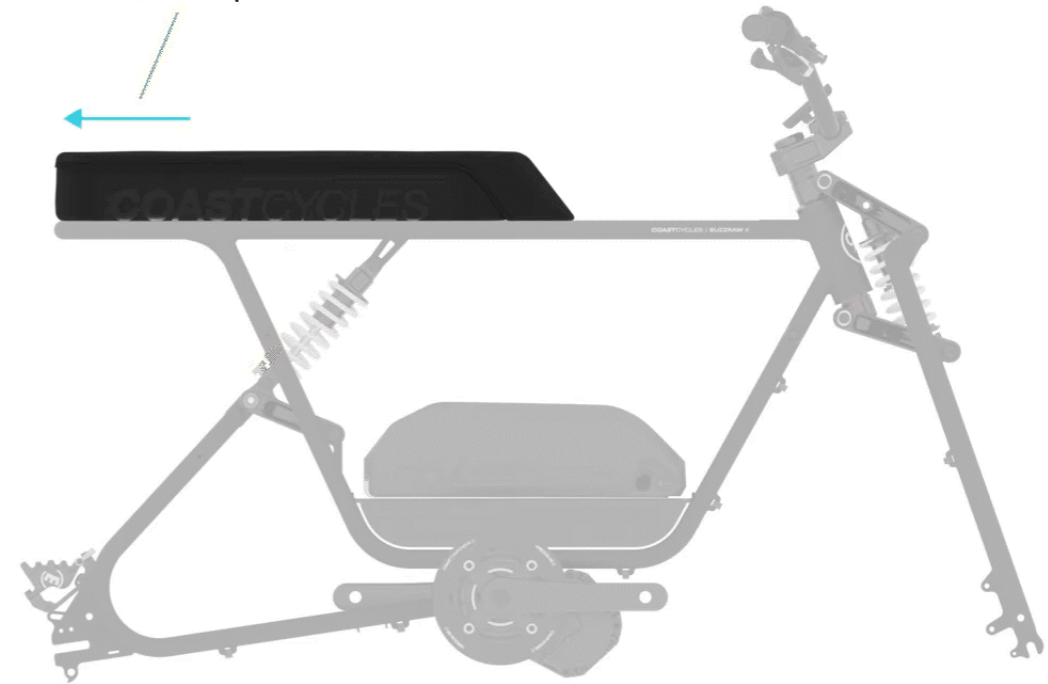


BUZZRAW X

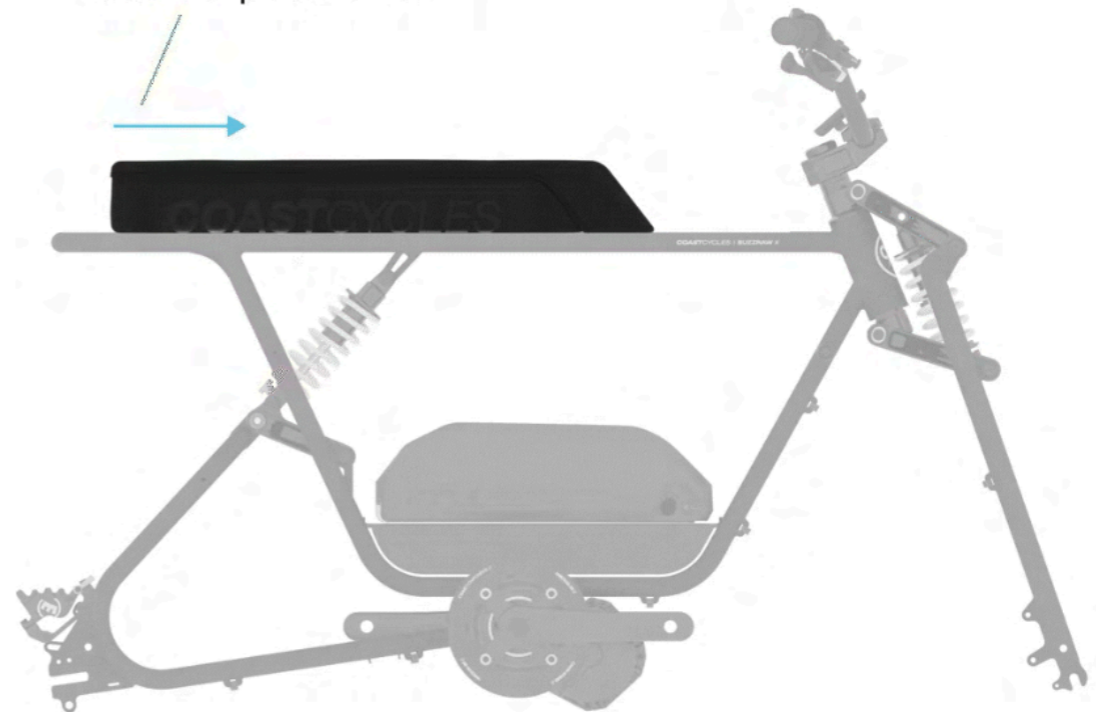
STEP 3 | SADDLE ASSEMBLY

Tool Required | 5mm Hex Wrench | 

The Buzzraw X has
2 saddle positions.



The Buzzraw X has
2 saddle positions.



BUZZRAW X

STEP 3 | SADDLE ASSEMBLY

Tool Required | 5mm Hex Wrench | 

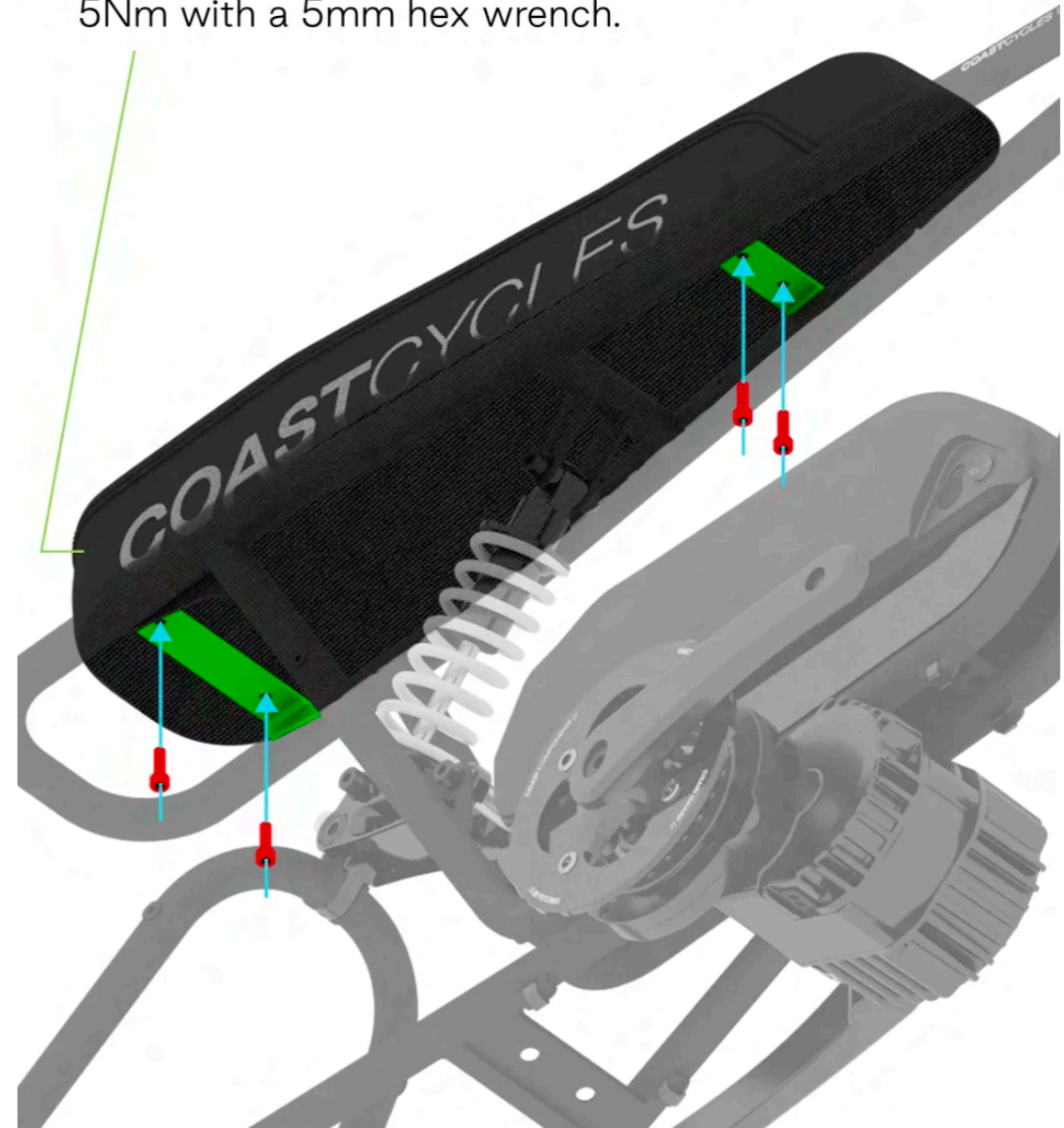


BUZZRAW X

STEP 3 | SADDLE ASSEMBLY

Tool Required | 5mm Hex Wrench | 

Locate the 4 saddle bolts and fasten the saddle to the frame as shown to 5Nm with a 5mm hex wrench.



BUZZRAW X

STEP 3 | SADDLE ASSEMBLY

Tool Required | 5mm Hex Wrench | 



BUZZRAW X

STEP 4 | TIRE ASSEMBLY

Package Contents



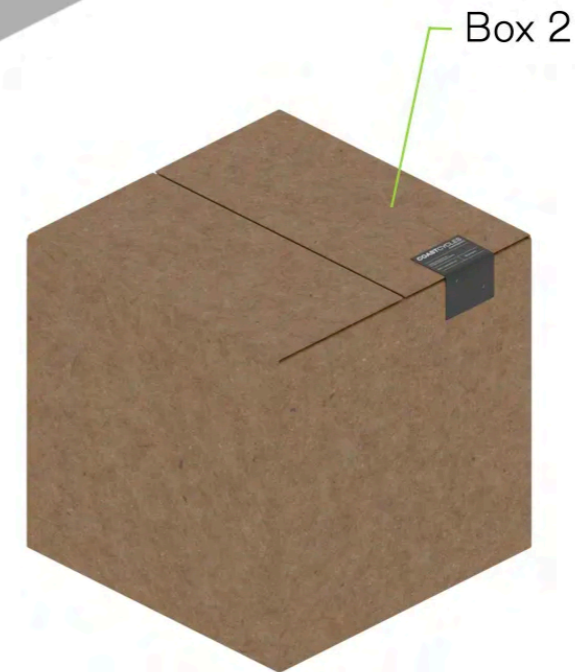
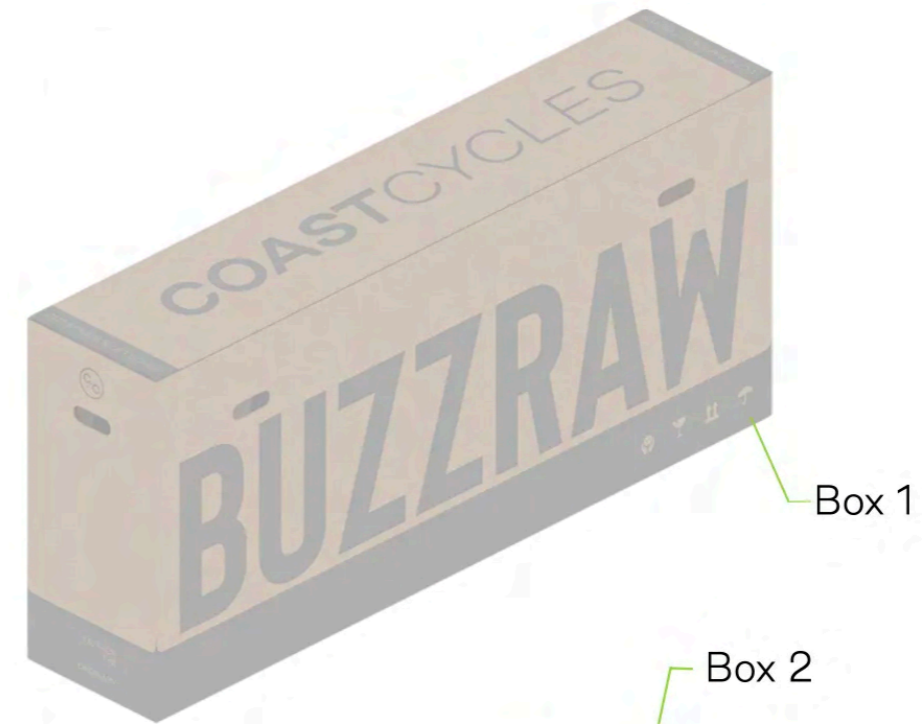
2 X AT1 Tires



1 X Wheelset



2 X Tubes



BUZZRAW X

STEP 4 | TIRE ASSEMBLY

Package Contents



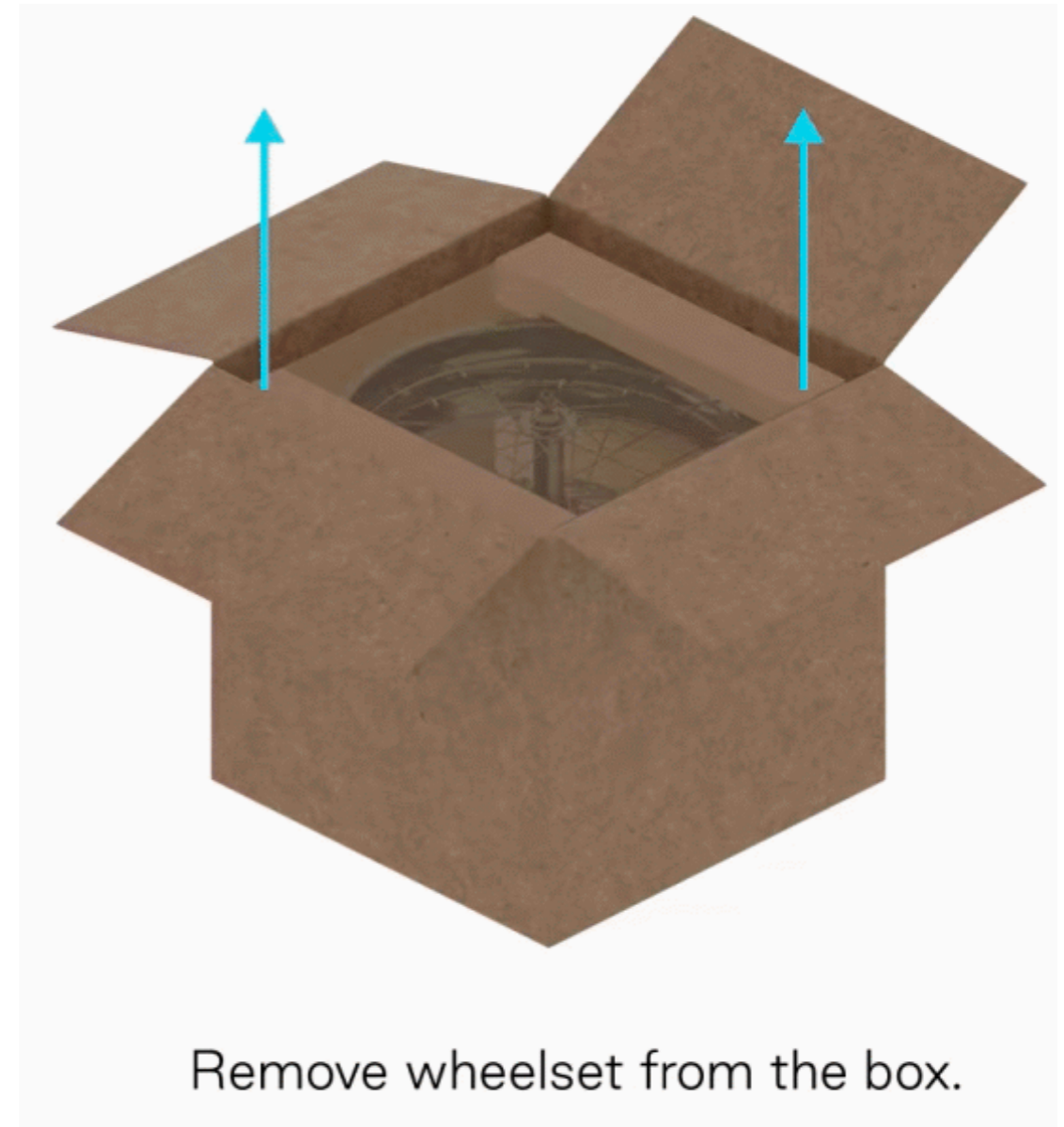
2 X AT1 Tires



1 X Wheelset



2 X Tubes



BUZZRAW X

STEP 4 | TIRE ASSEMBLY

Package Contents



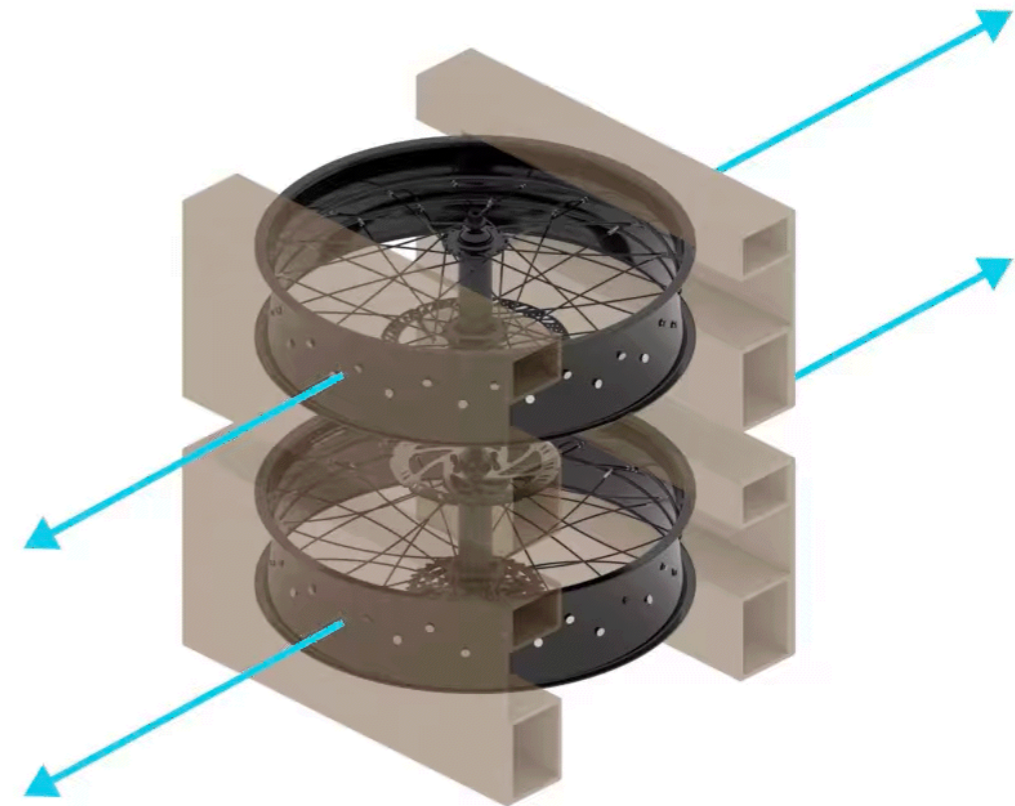
2 X AT1 Tires



1 X Wheelset



2 X Tubes



Remove supports from the wheelset.

BUZZRAW X

STEP 4 | TIRE ASSEMBLY

Package Contents



2 X AT1 Tires



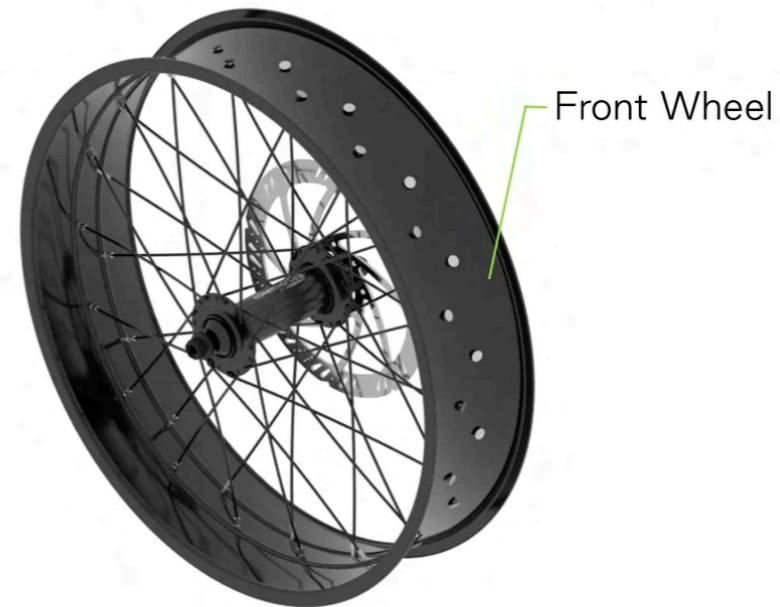
1 X Wheelset



2 X Tubes



Rear Wheel



Front Wheel

BUZZRAW X

STEP 4 | TIRE ASSEMBLY

Package Contents



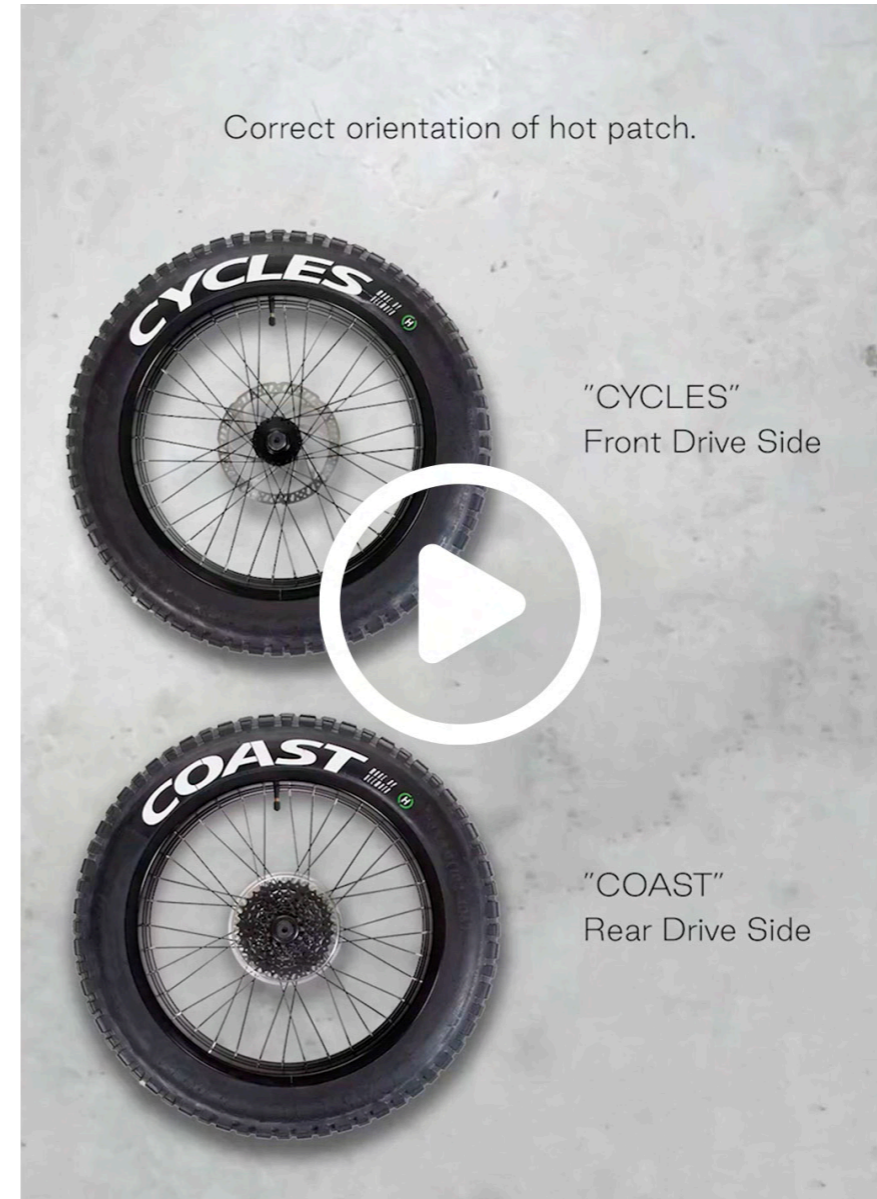
2 X AT1 Tires



1 X Wheelset



2 X Tubes



[Click Here For Tire Installation Video](#)

BUZZRAW X

STEP 4 | TIRE ASSEMBLY

Package Contents



2 X AT1 Tires



1 X Wheelset



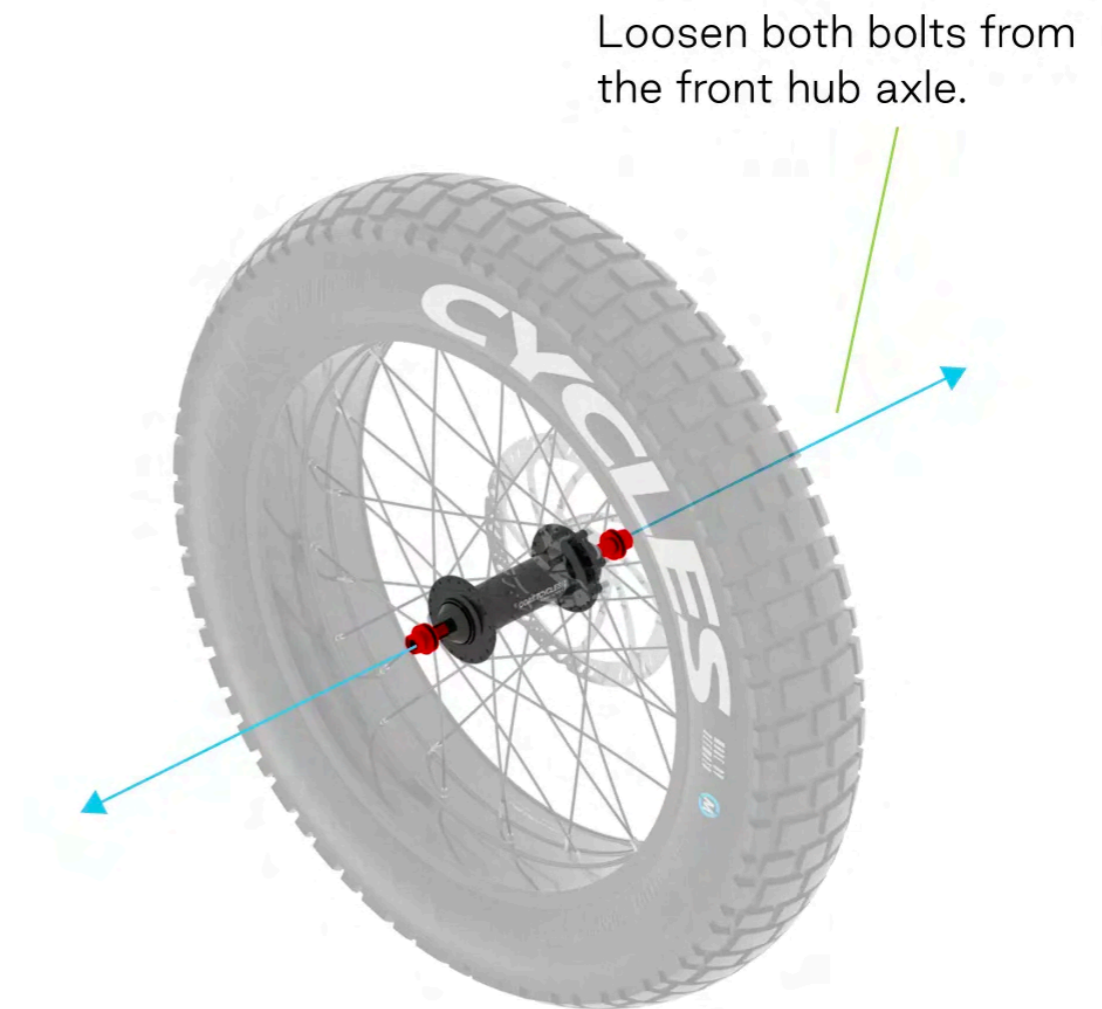
2 X Tubes



BUZZRAW X

STEP 5 | FRONT WHEEL ASSEMBLY

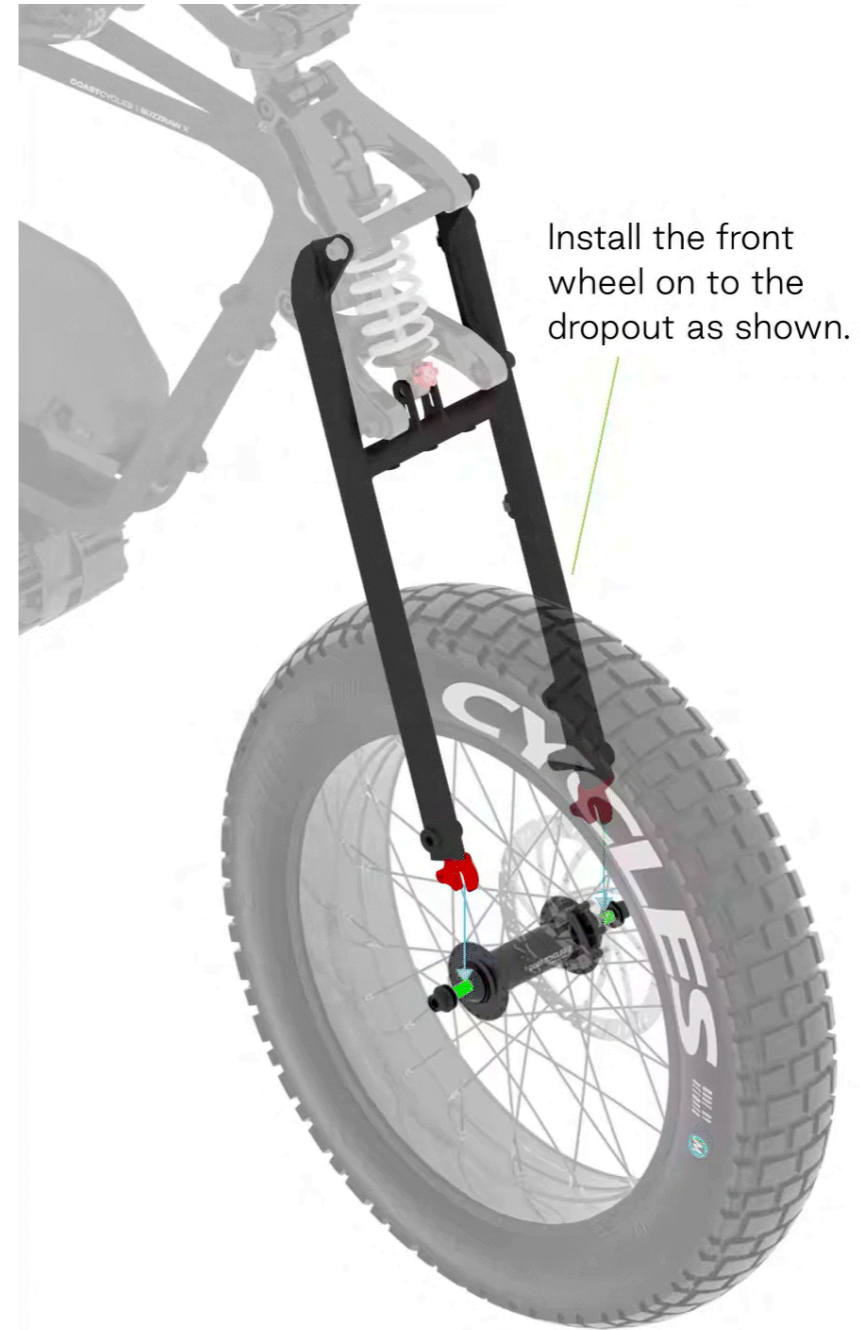
Tool Required | 8mm Hex Wrench | 



BUZZRAW X

STEP 5 | FRONT WHEEL ASSEMBLY

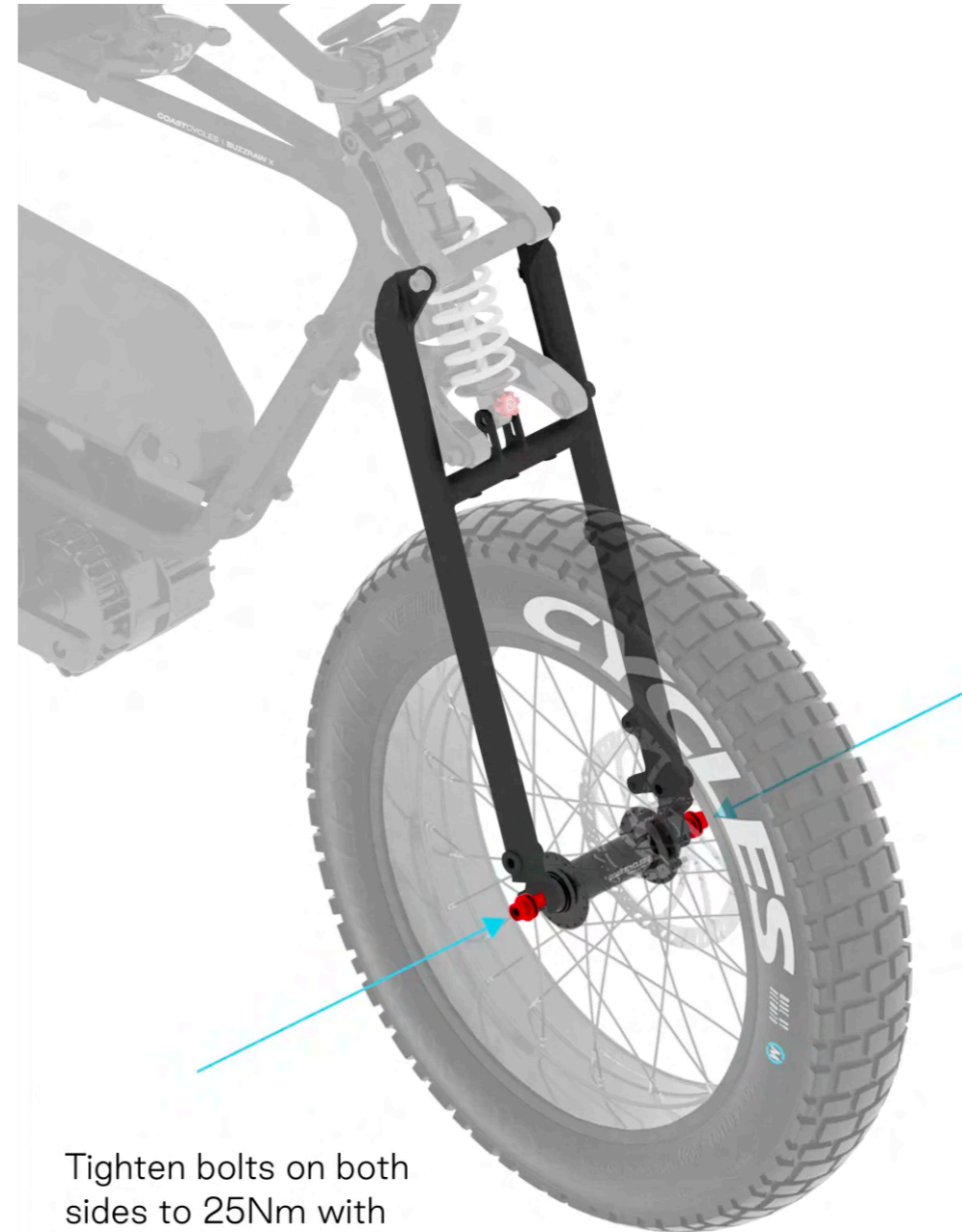
Tool Required | 8mm Hex Wrench | 



BUZZRAW X

STEP 5 | FRONT WHEEL ASSEMBLY

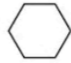
Tool Required | 8mm Hex Wrench | 



Tighten bolts on both sides to 25Nm with an 8mm hex wrench.

BUZZRAW X

STEP 5 | FRONT WHEEL ASSEMBLY

Tool Required | 8mm Hex Wrench | 

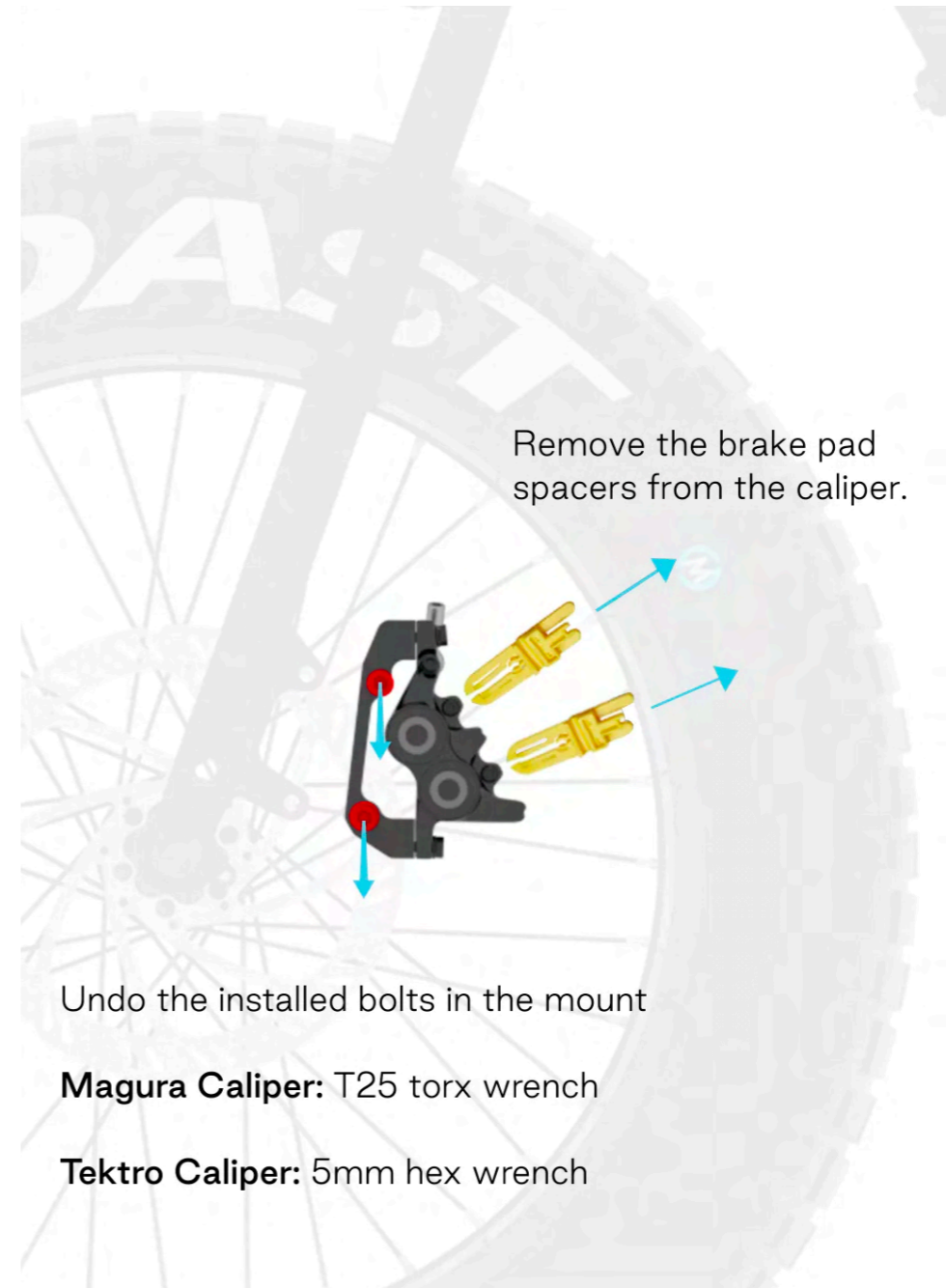


BUZZRAW X

STEP 6 | FRONT CALIPER ASSEMBLY

Tools Required

Magura	T25 Torx Wrench		
Tektro	5mm Hex Wrench		



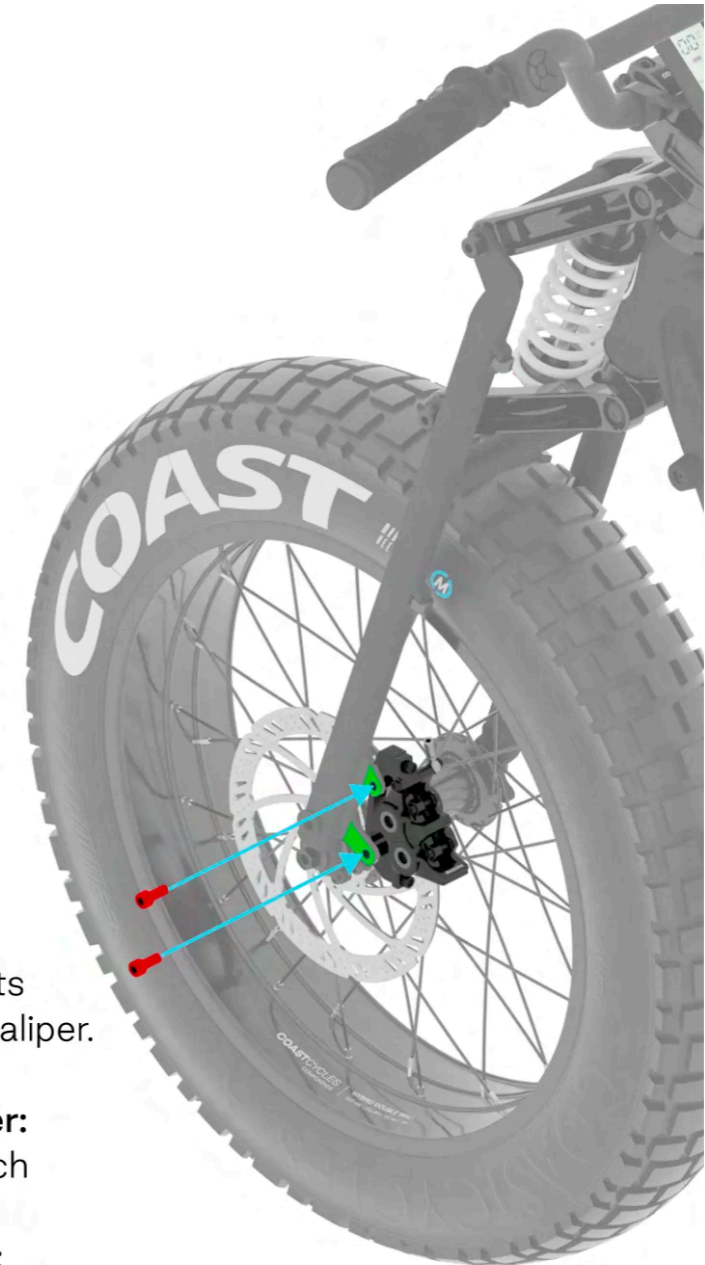
BUZZRAW X

STEP 6 | FRONT CALIPER ASSEMBLY

Tools Required

Magura | T25 Torx Wrench | 

Tektro | 5mm Hex Wrench | 



Secure the bolts into the front caliper.

Magura Caliper:
T25 torx wrench

Tektro Caliper:
5mm hex wrench

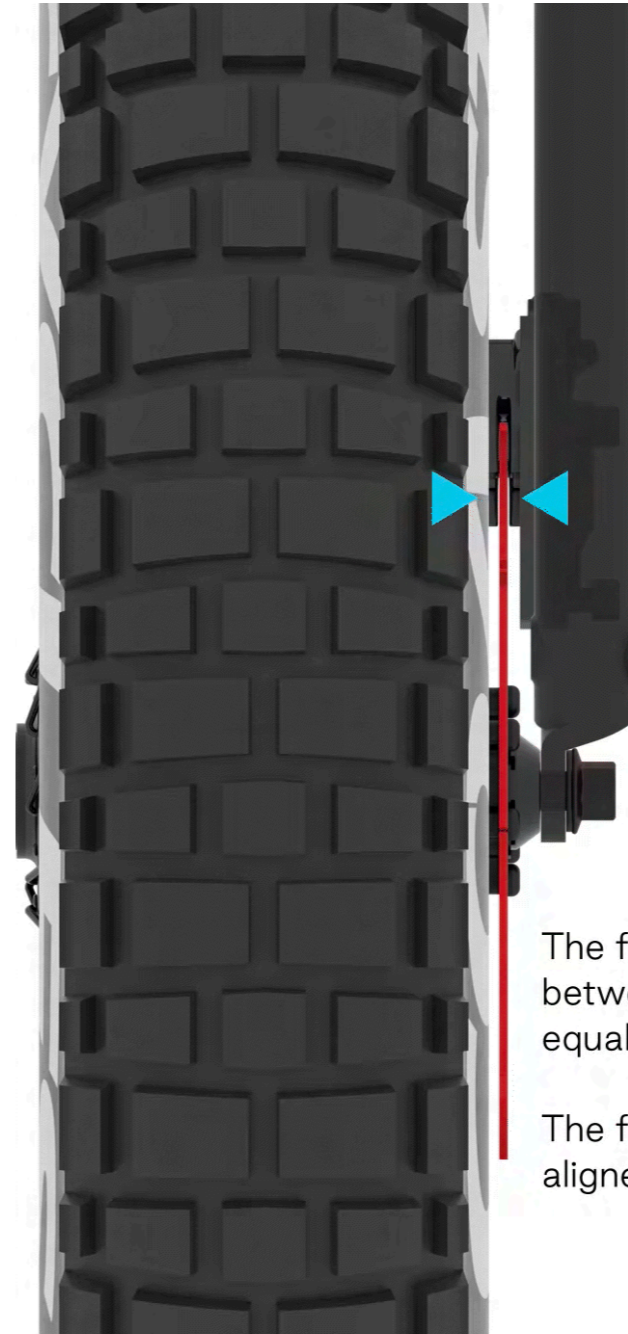
BUZZRAW X

STEP 6 | FRONT CALIPER ASSEMBLY

Tools Required

Magura | T25 Torx Wrench | 

Tektro | 5mm Hex Wrench | 



The front disc should sit between brake pads with equal gaps on each side.

The front caliper has been aligned before shipping.

BUZZRAW X

STEP 6 | FRONT CALIPER ASSEMBLY

Tools Required

Magura | T25 Torx Wrench | 

Tektro | 5mm Hex Wrench | 



Tighten the bolts

Magura Caliper:
6Nm, T25 torx wrench

Tektro Caliper:
9Nm, 5mm hex wrench

BUZZRAW X

STEP 6 | FRONT CALIPER ASSEMBLY

Tools Required

Magura	T25 Torx Wrench		
Tektro	5mm Hex Wrench		

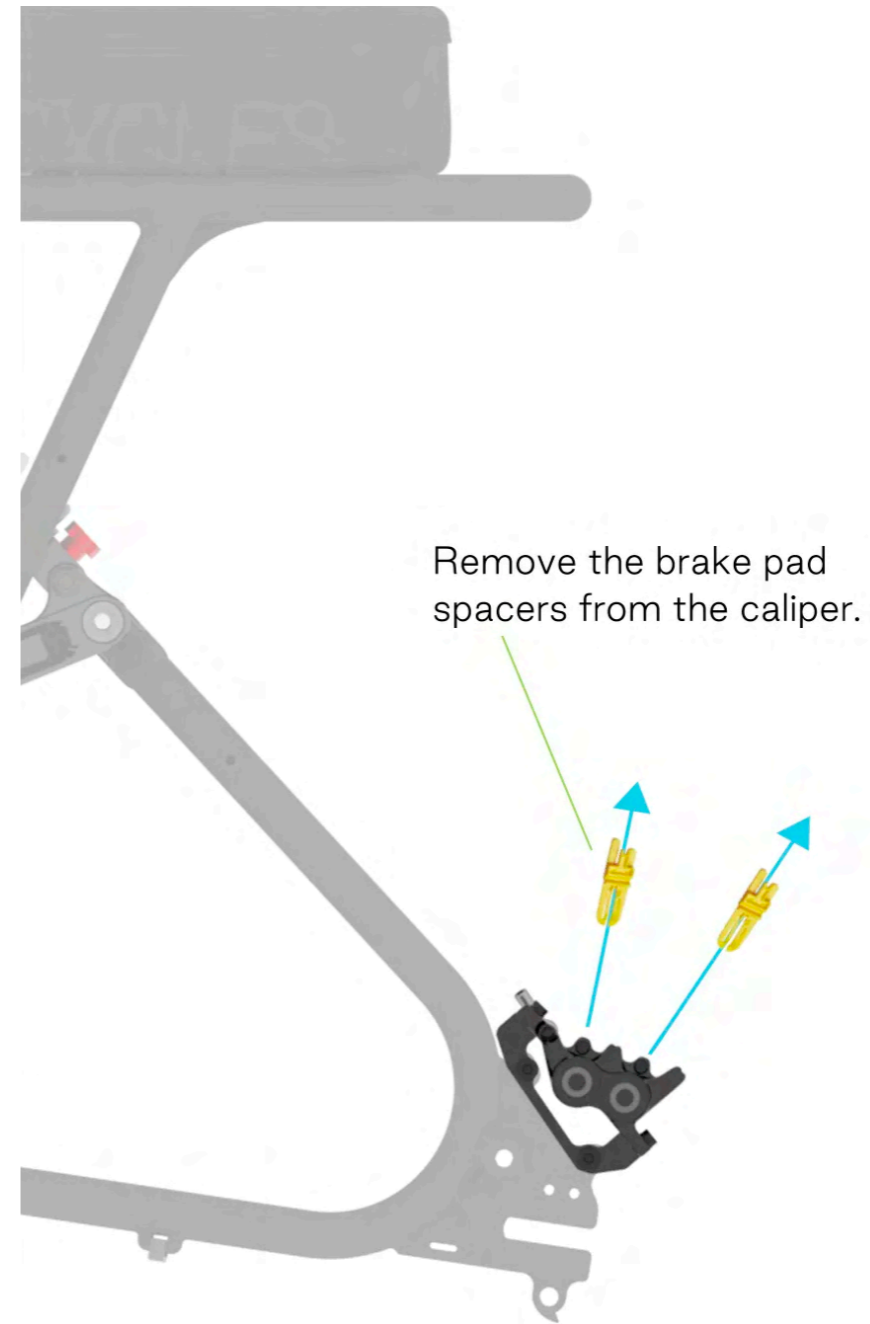


BUZZRAW X

STEP 7 | REAR WHEEL ASSEMBLY

Tool Required

8mm Hex Wrench



BUZZRAW X

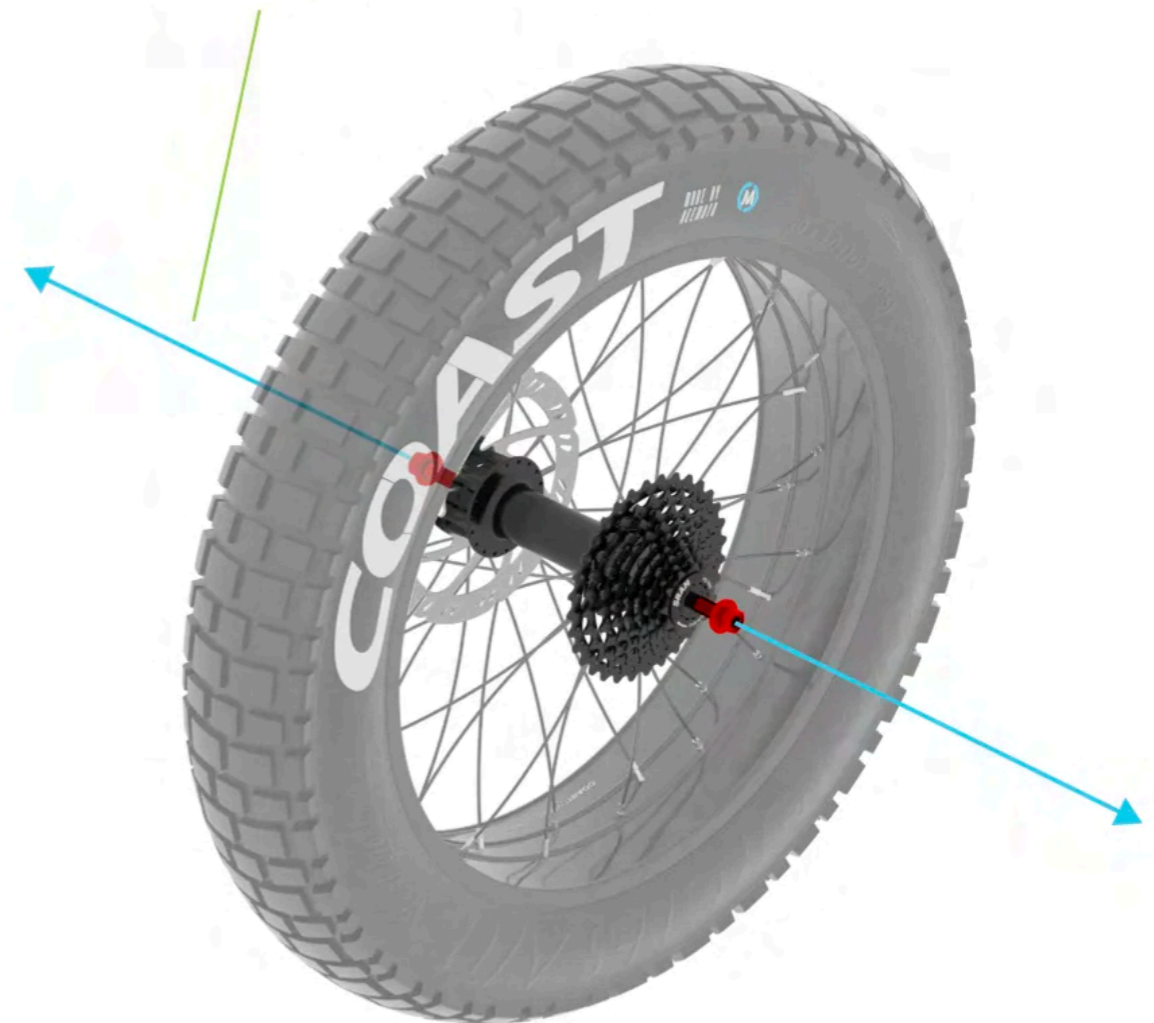
STEP 7 | REAR WHEEL ASSEMBLY

Tool Required

8mm Hex Wrench



Loosen both bolts
from the rear hub axle.

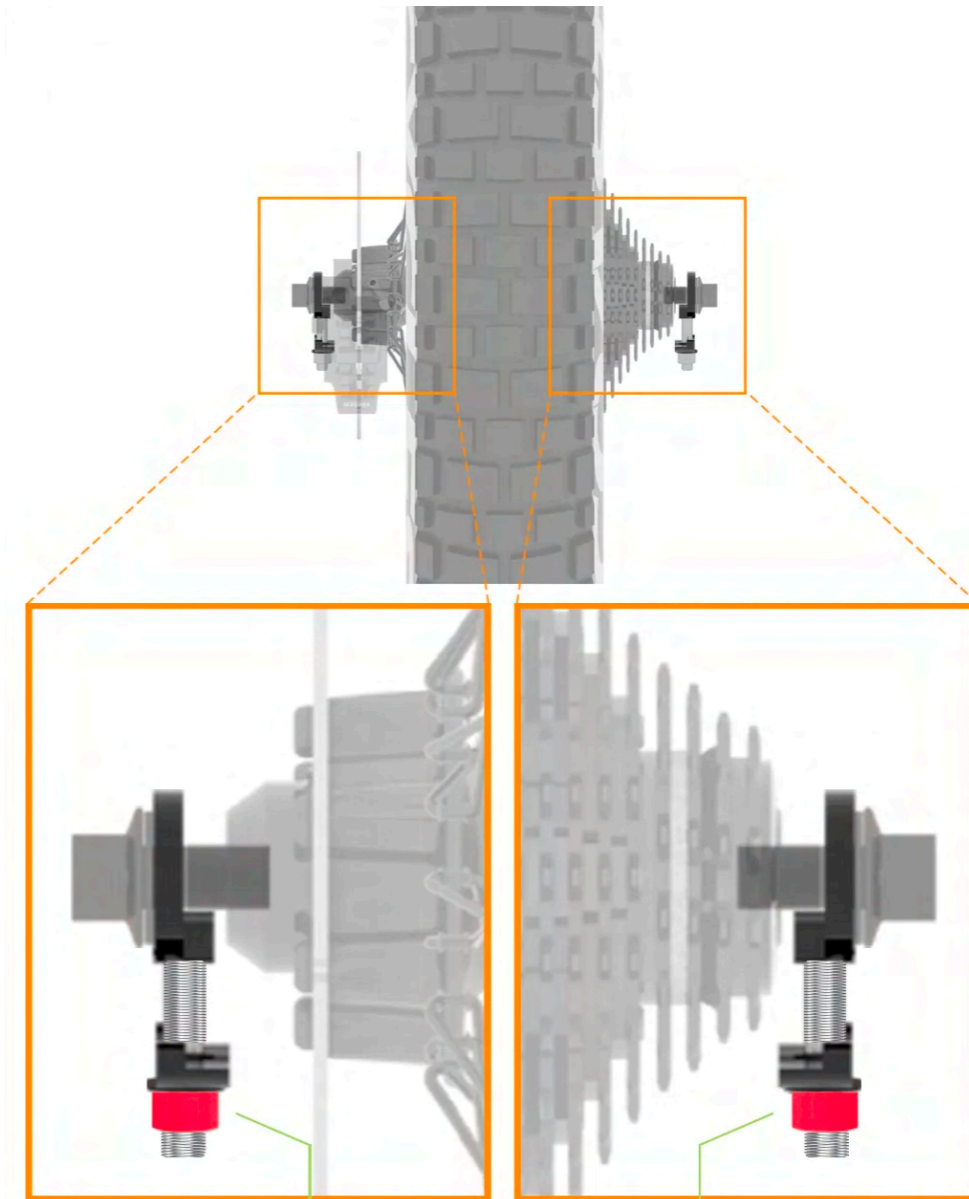


BUZZRAW X

STEP 7 | REAR WHEEL ASSEMBLY

Tool Required

8mm Hex Wrench



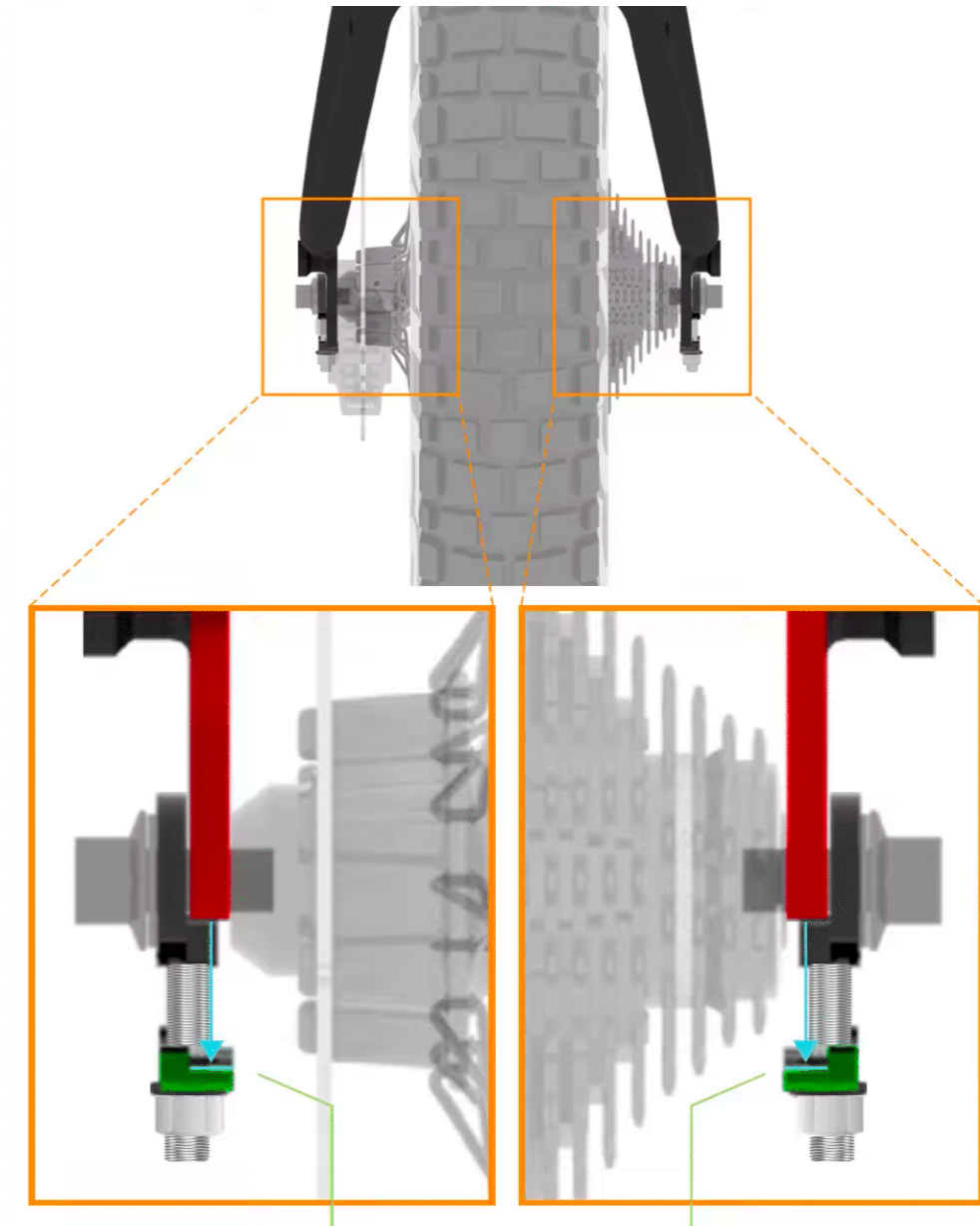
Do not readjust the nuts. The chain tensioners have been properly adjusted before shipping.

BUZZRAW X

STEP 7 | REAR WHEEL ASSEMBLY

Tool Required

8mm Hex Wrench



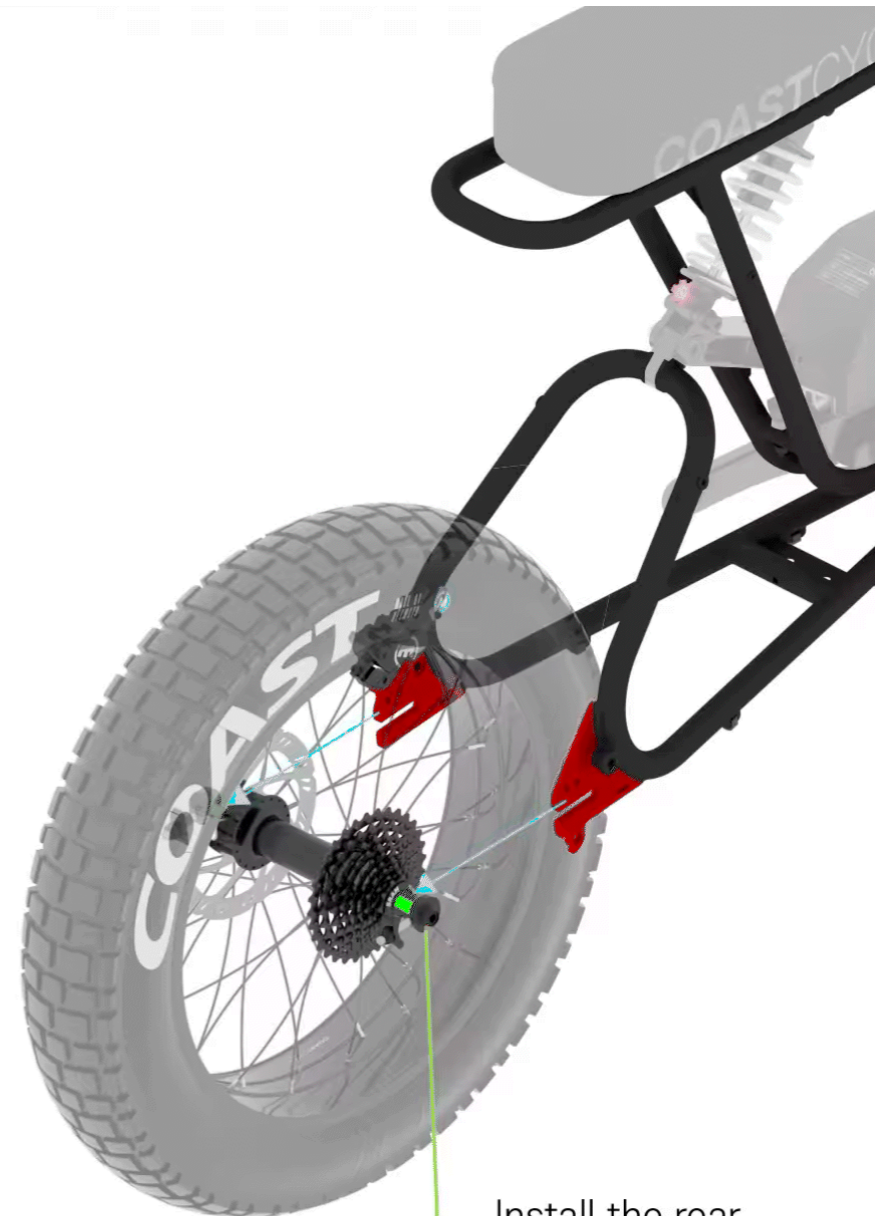
When sliding in the dropouts, ensure that both chain tensioners are sitting correctly against the dropouts as shown.

BUZZRAW X

STEP 7 | REAR WHEEL ASSEMBLY

Tool Required

8mm Hex Wrench | 



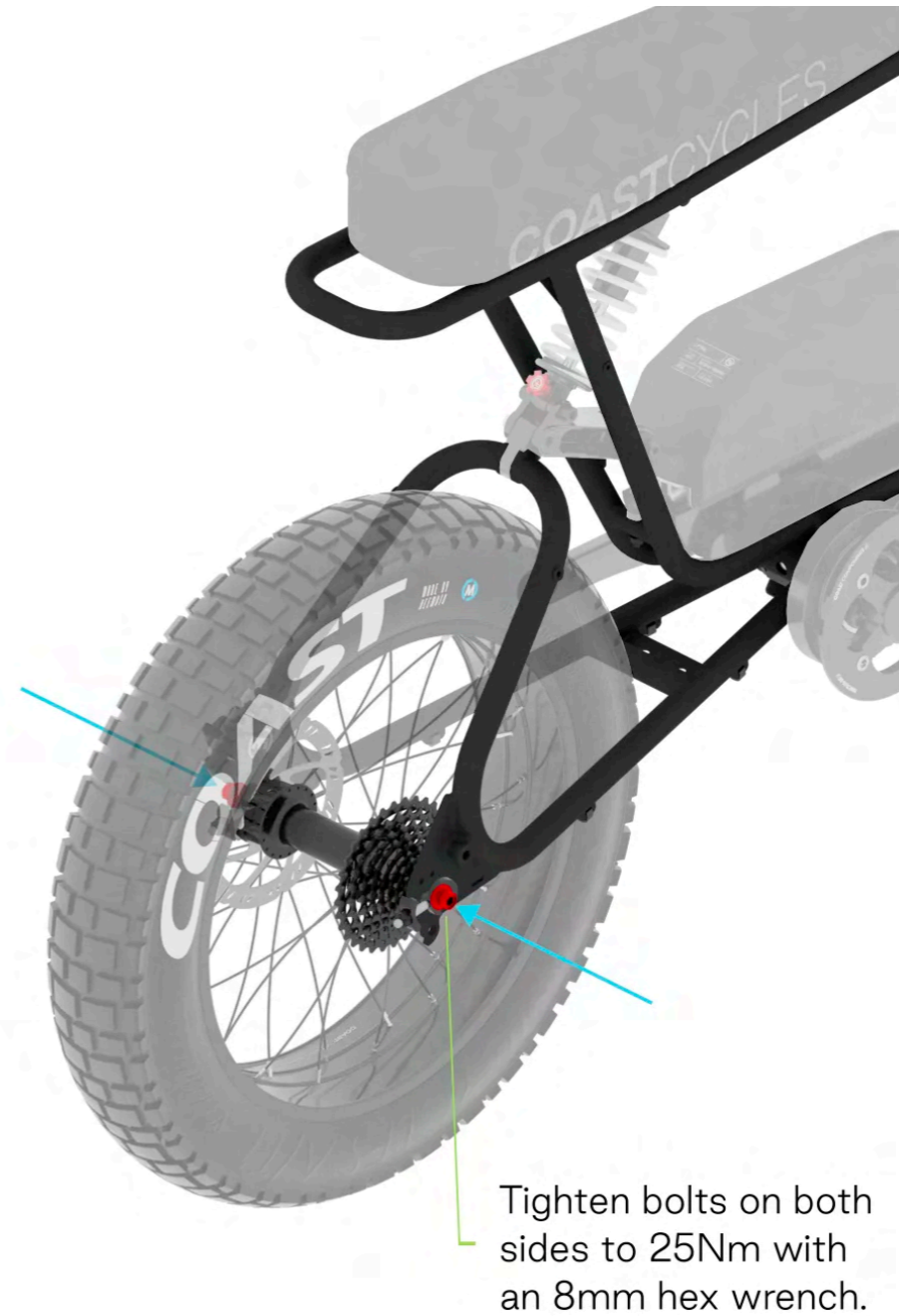
Install the rear wheel on to the dropout as shown.

BUZZRAW X

STEP 7 | REAR WHEEL ASSEMBLY

Tool Required

8mm Hex Wrench



BUZZRAW X

STEP 7 | REAR WHEEL ASSEMBLY

Tool Required

8mm Hex Wrench | 

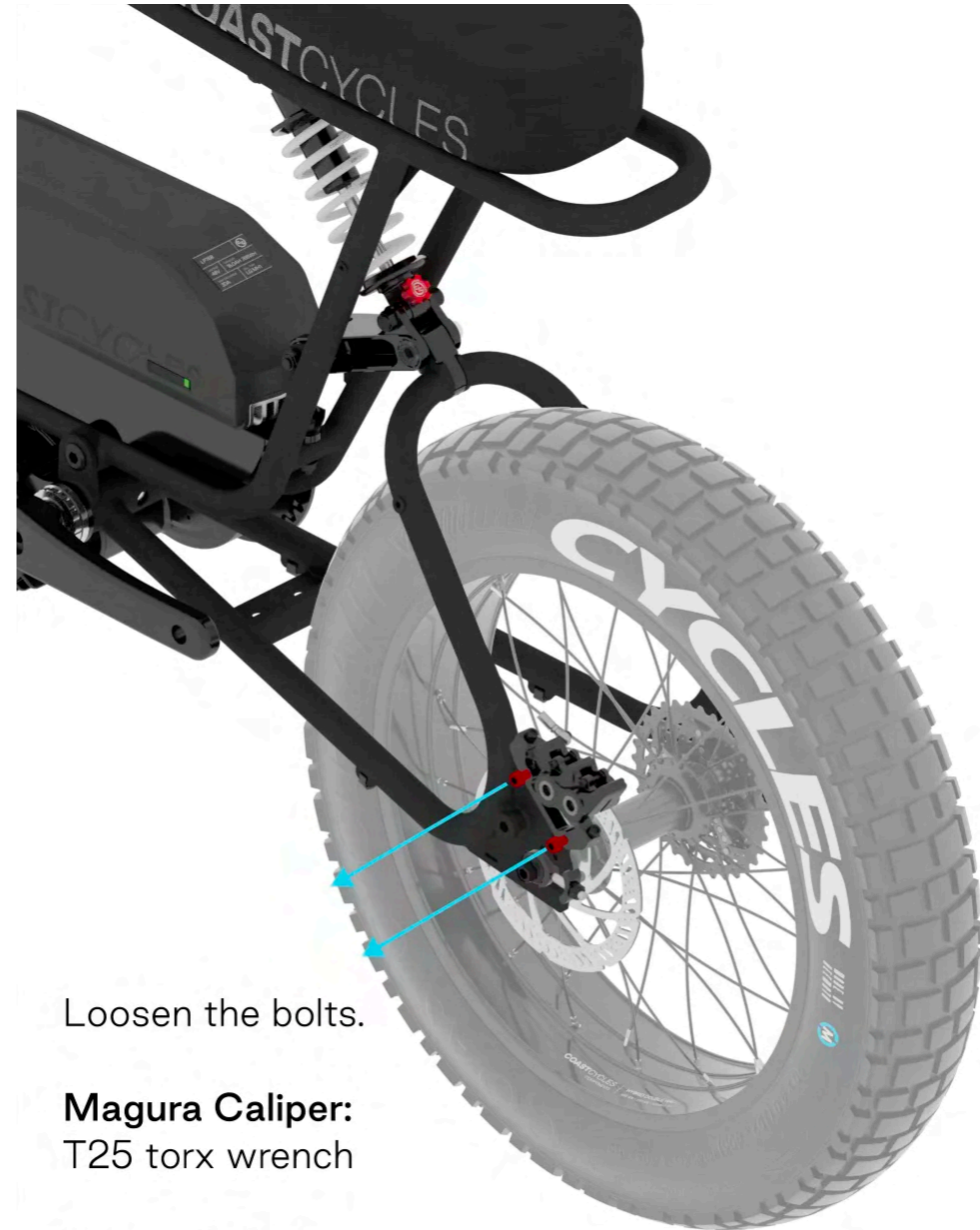


BUZZRAW X

STEP 8 | REAR CALIPER ASSEMBLY

Tools Required

Magura	T25 Torx Wrench		
Tektro	5mm Hex Wrench		



Loosen the bolts.

Magura Caliper:
T25 torx wrench

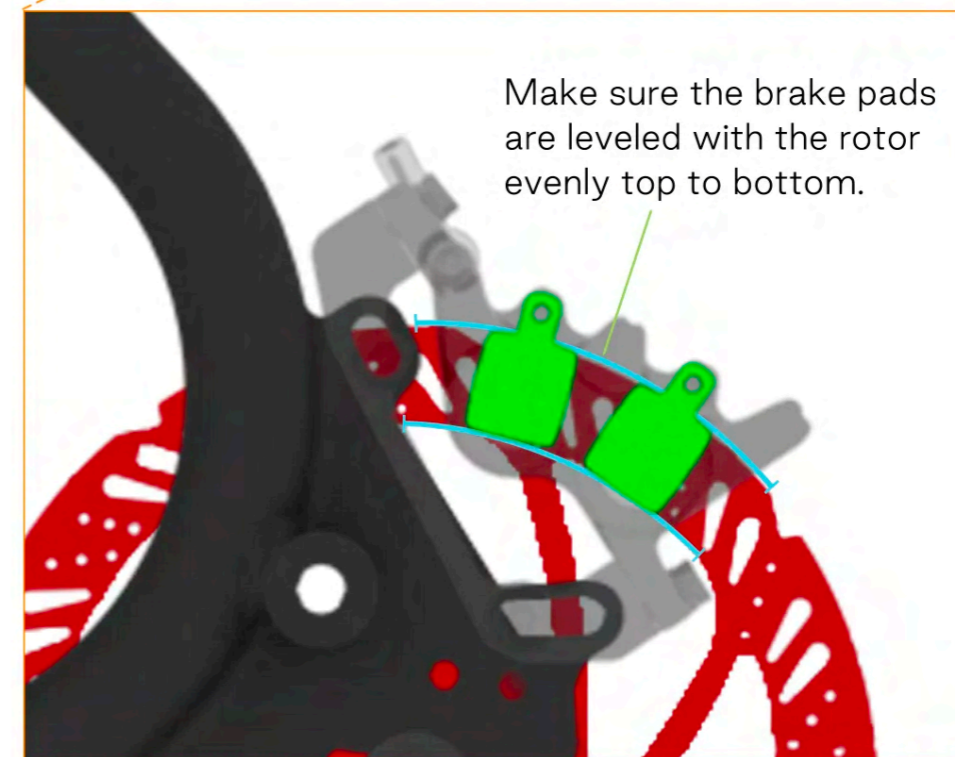
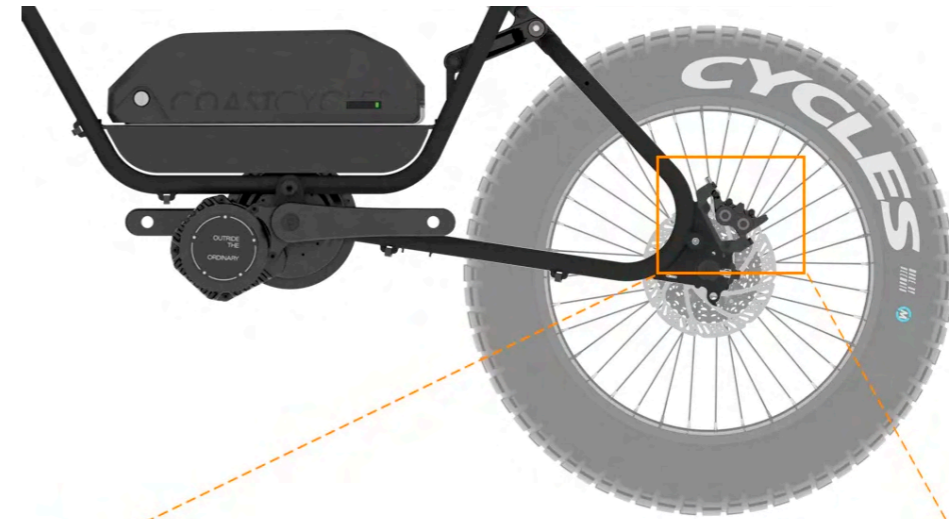
Tektro Caliper:
5mm hex wrench

BUZZRAW X

STEP 8 | REAR CALIPER ASSEMBLY

Tools Required

Magura	T25 Torx Wrench		
Tektro	5mm Hex Wrench		

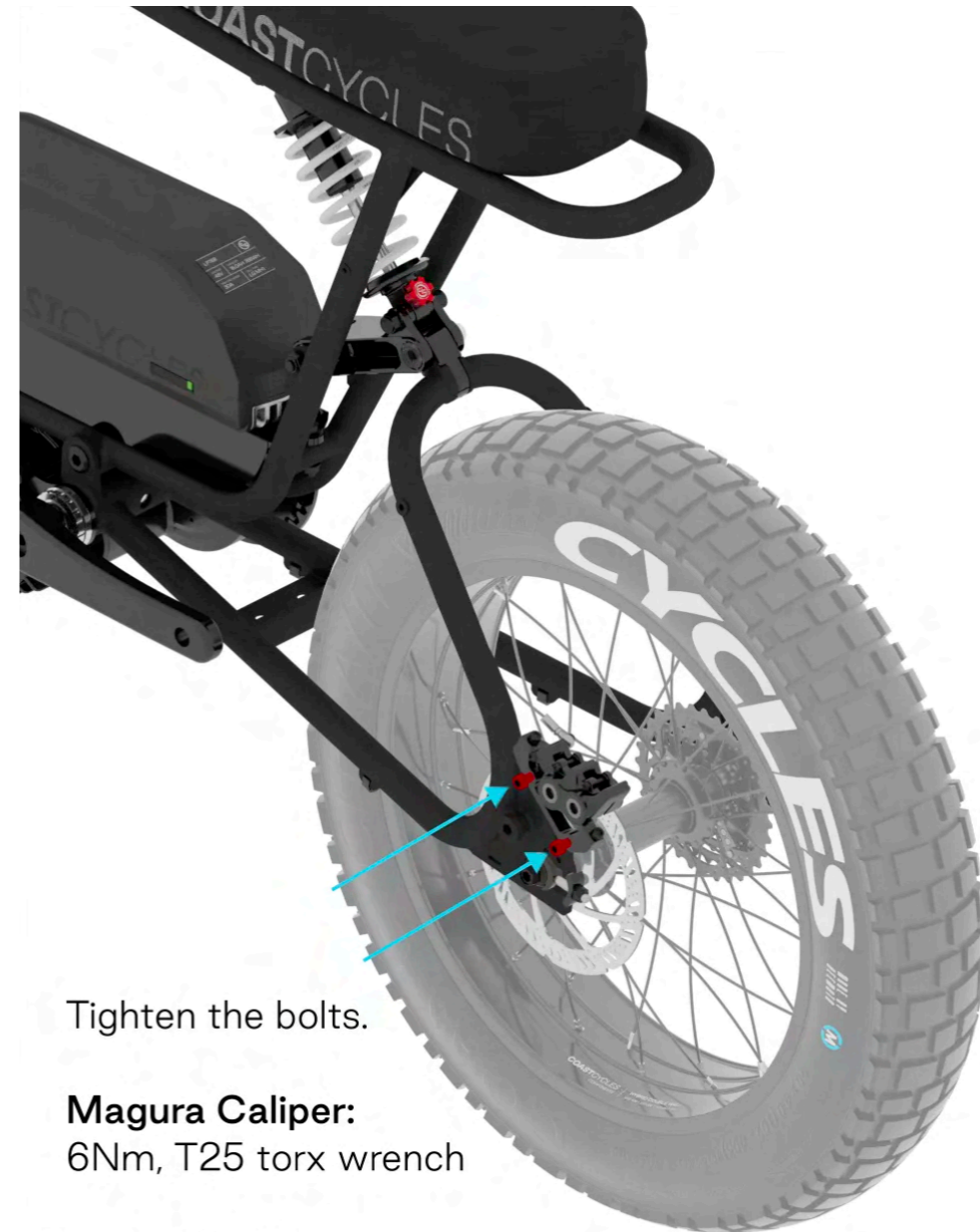


BUZZRAW X

STEP 8 | REAR CALIPER ASSEMBLY

Tools Required

Magura	T25 Torx Wrench		
Tektro	5mm Hex Wrench		



Tighten the bolts.

Magura Caliper:
6Nm, T25 torx wrench

Tektro Caliper:
9Nm, 5mm hex wrench

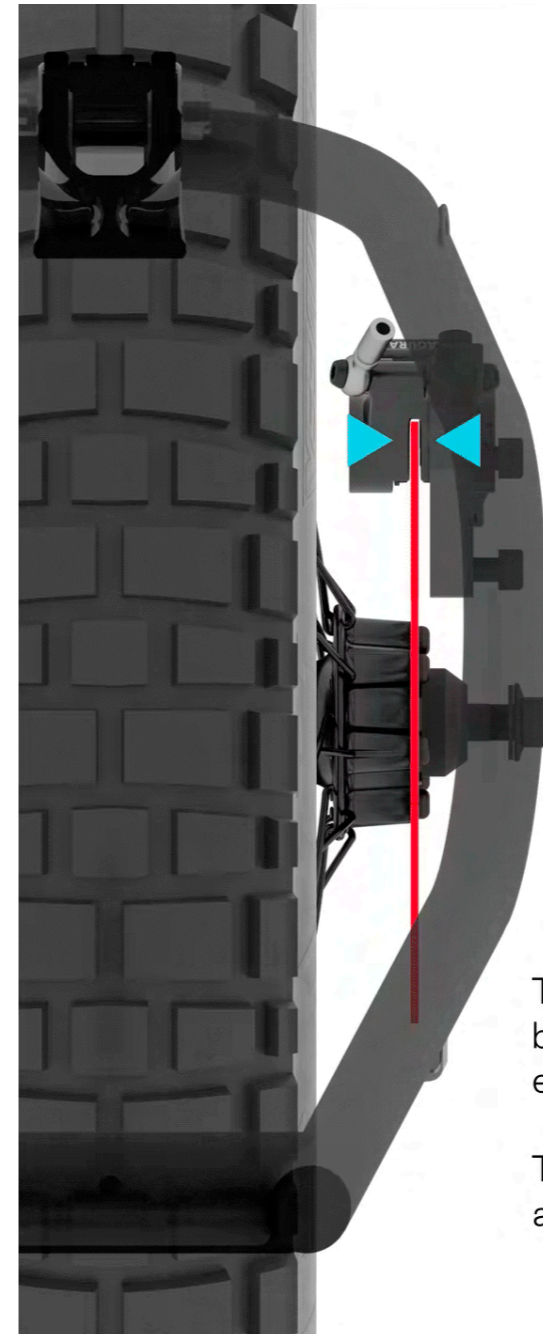
BUZZRAW X

STEP 8 | REAR CALIPER ASSEMBLY

Tools Required

Magura | T25 Torx Wrench | 

Tektro | 5mm Hex Wrench | 



The rear disc should sit between brake pads with equal gaps on each side.

The rear caliper has been aligned before shipping.

BUZZRAW X

STEP 8 | REAR CALIPER ASSEMBLY

Tools Required

Magura	T25 Torx Wrench		
Tektro	5mm Hex Wrench		



BUZZRAW X

STEP 9 | DERAILLEUR ASSEMBLY

Tool Required

5mm Hex Wrench



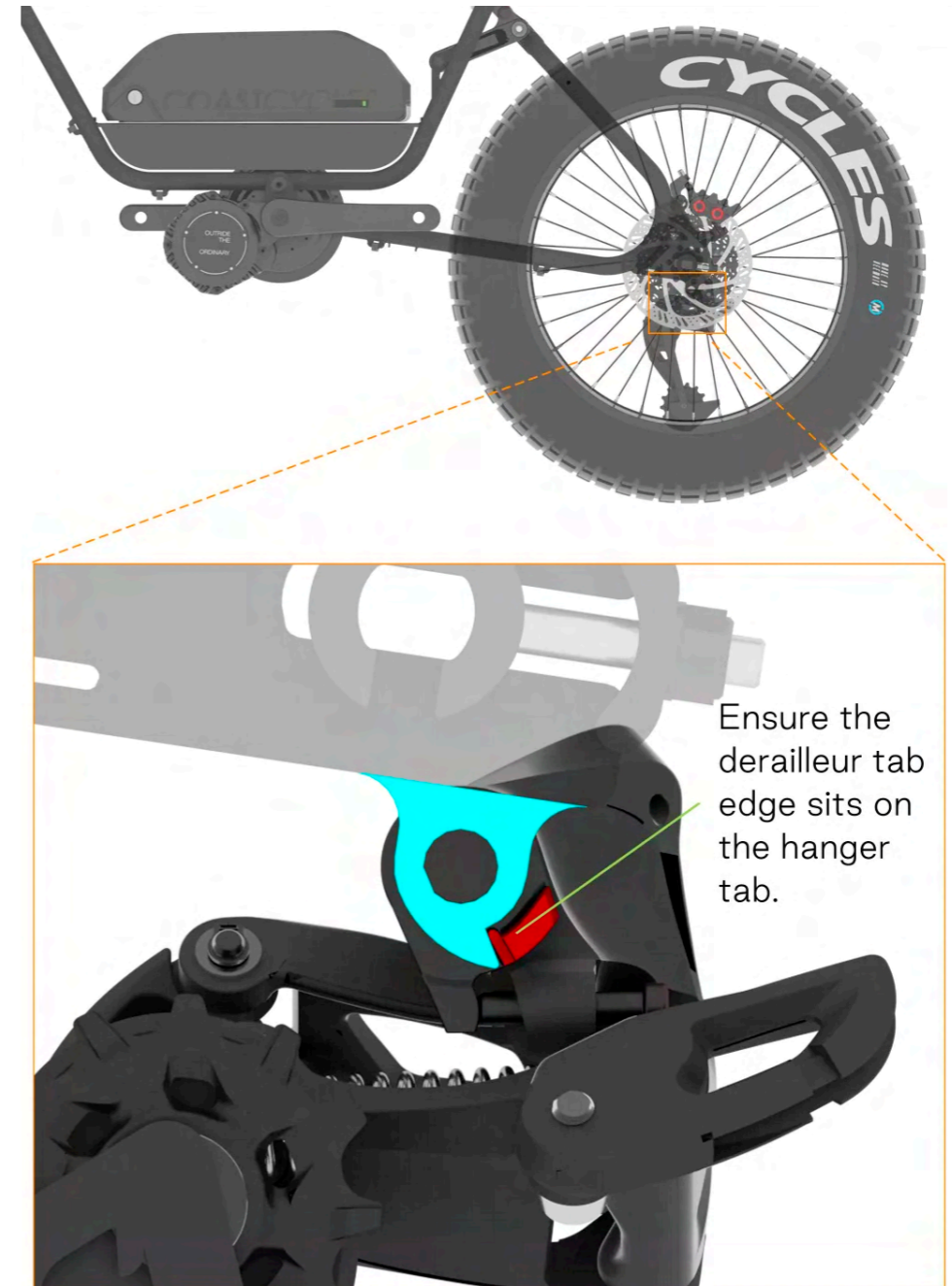
Fasten the rear derailleur to the derailleur hanger as shown with a 5mm hex wrench.

BUZZRAW X

STEP 9 | DERAILLEUR ASSEMBLY

Tool Required

5mm Hex Wrench

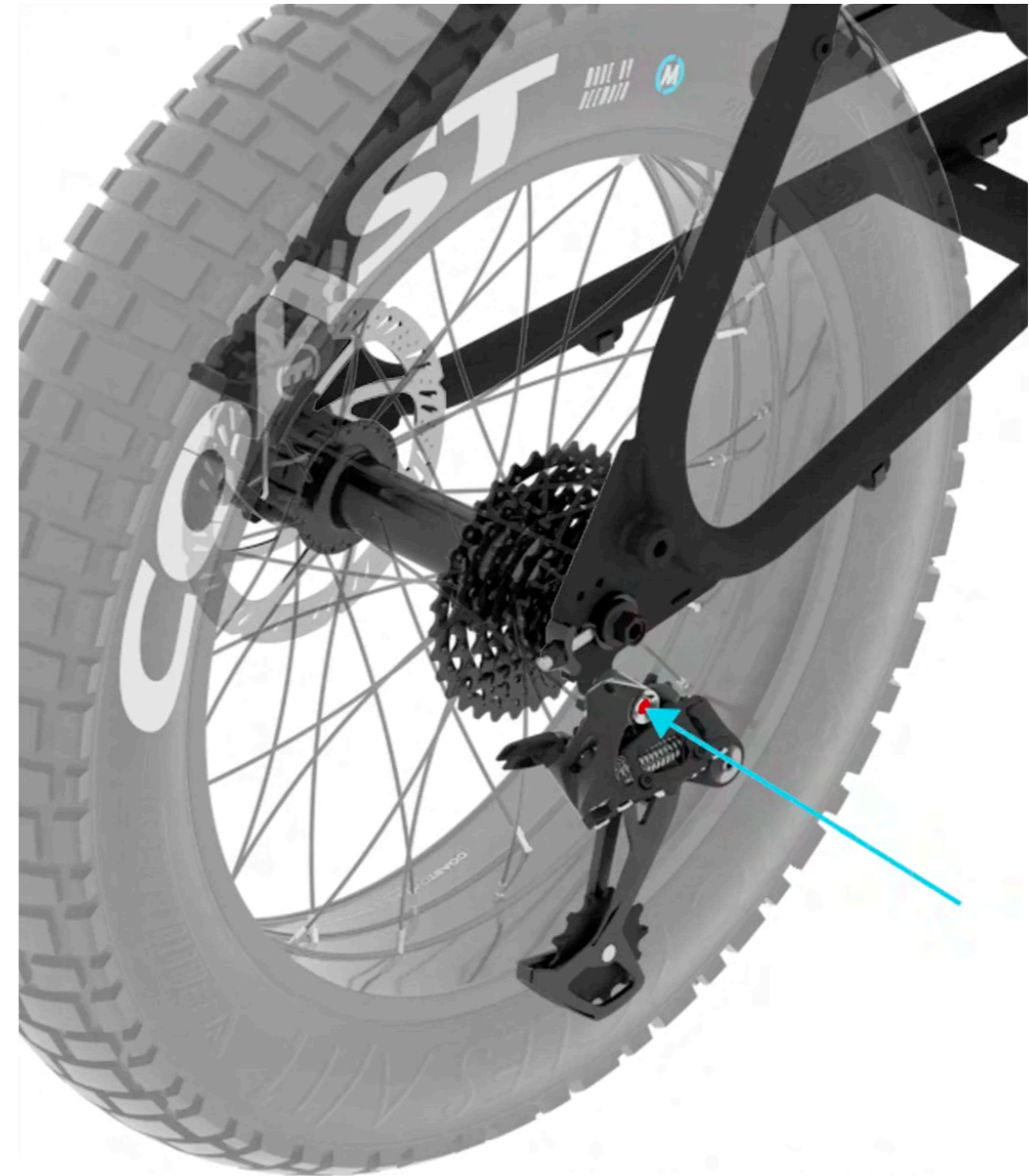


BUZZRAW X

STEP 9 | DERAILLEUR ASSEMBLY

Tool Required

5mm Hex Wrench



Tighten the bolt to 10Nm
with a 5mm hex wrench.

BUZZRAW X

STEP 9 | DERAILLEUR ASSEMBLY

Tool Required

5mm Hex Wrench



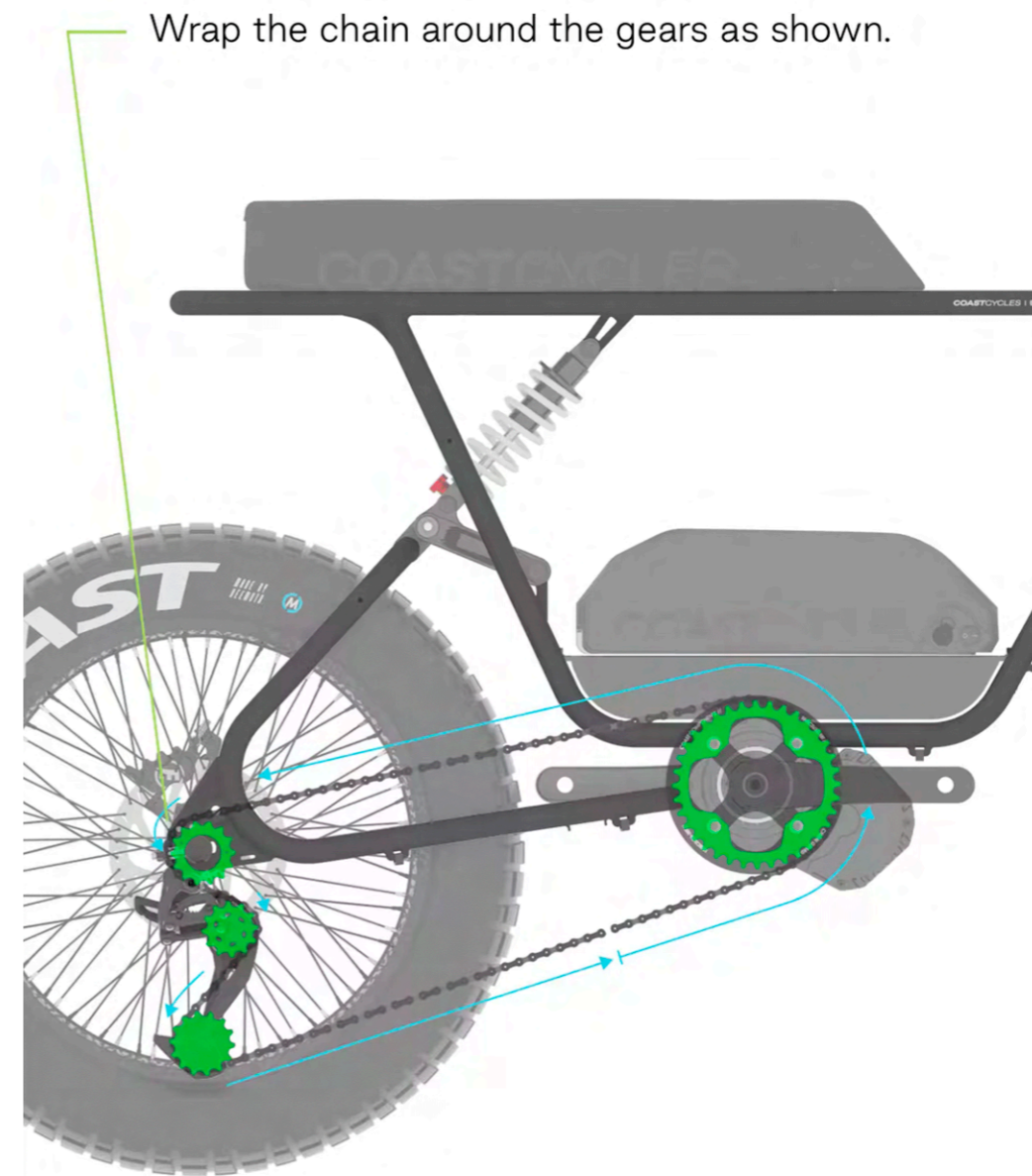
BUZZRAW X

STEP 10 | CHAIN ASSEMBLY

Package Contents



1 X 8 Speed Chain with Quick Links



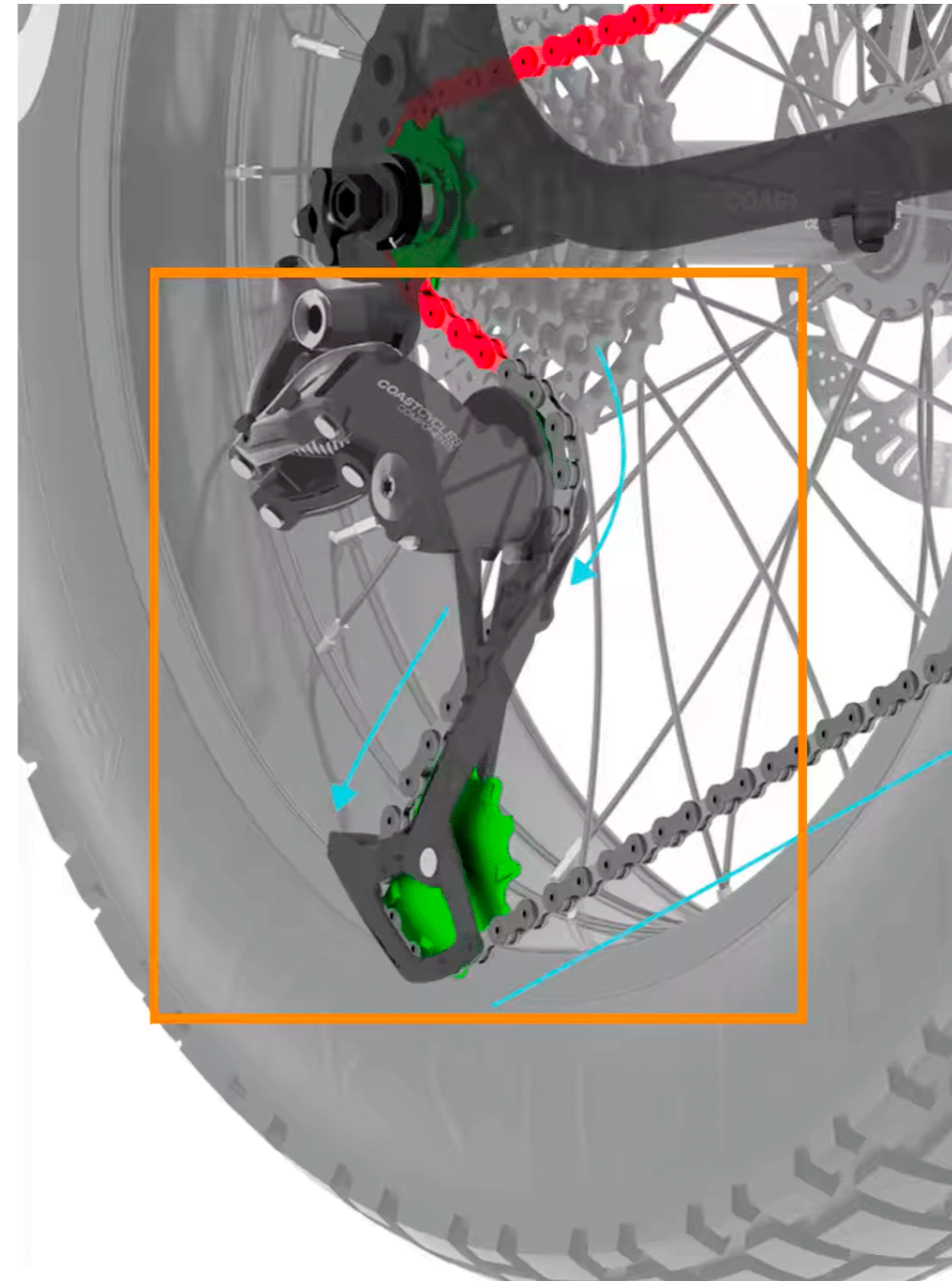
BUZZRAW X

STEP 10 | CHAIN ASSEMBLY

Package Contents



1 X 8 Speed Chain with Quick Links



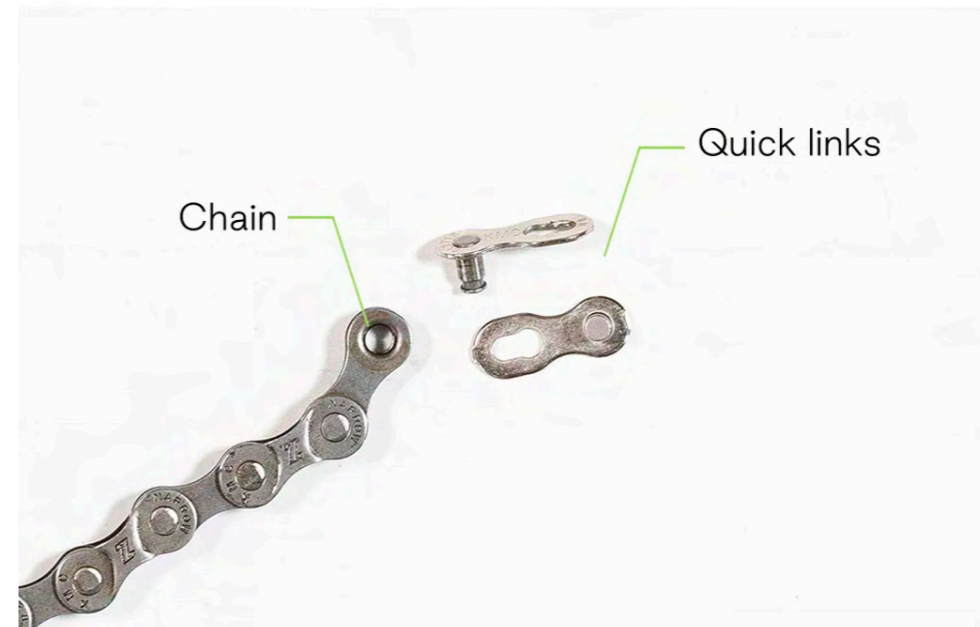
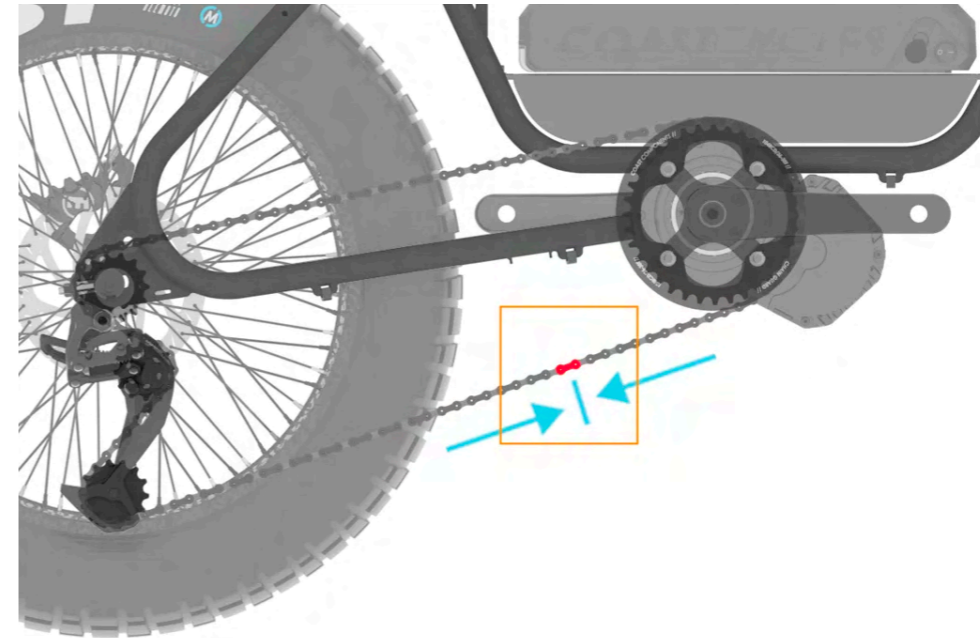
BUZZRAW X

STEP 10 | CHAIN ASSEMBLY

Package Contents



1 X 8 Speed Chain with Quick Links



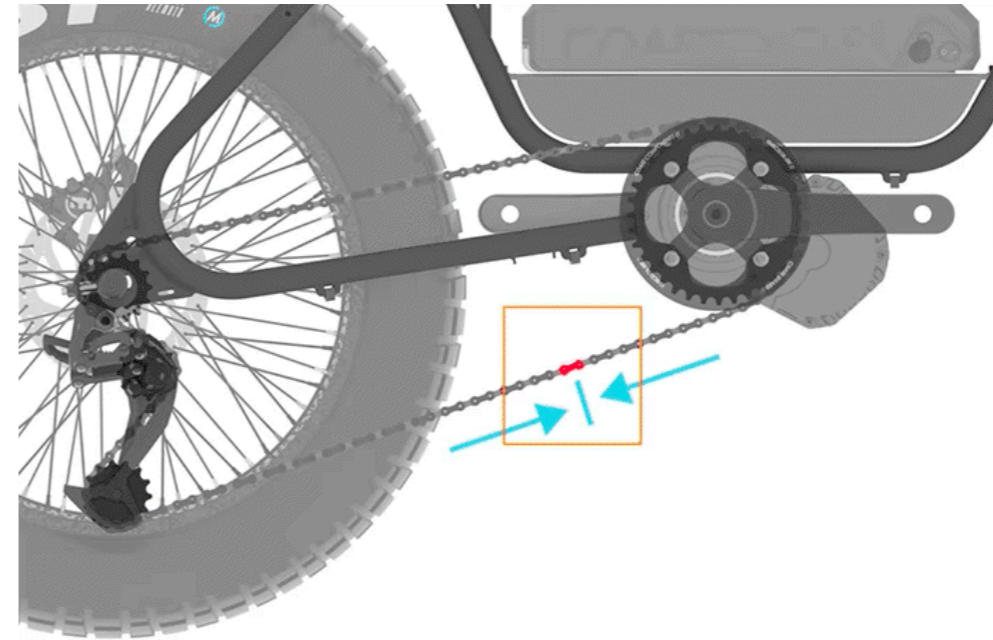
BUZZRAW X

STEP 10 | CHAIN ASSEMBLY

Package Contents



1 X 8 Speed Chain with Quick Links



Insert the links through the chain's open ends.



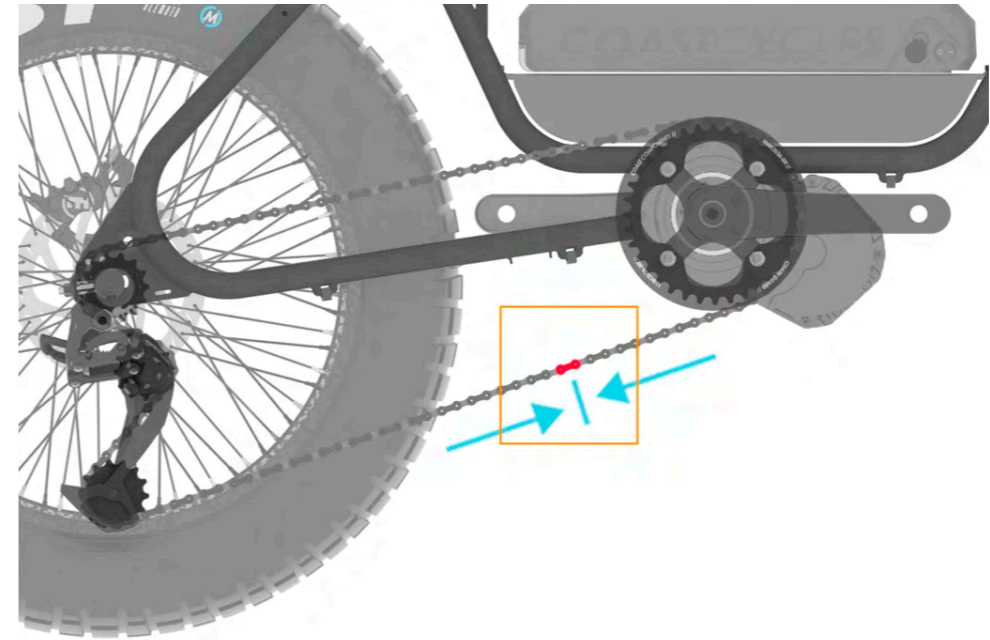
BUZZRAW X

STEP 10 | CHAIN ASSEMBLY

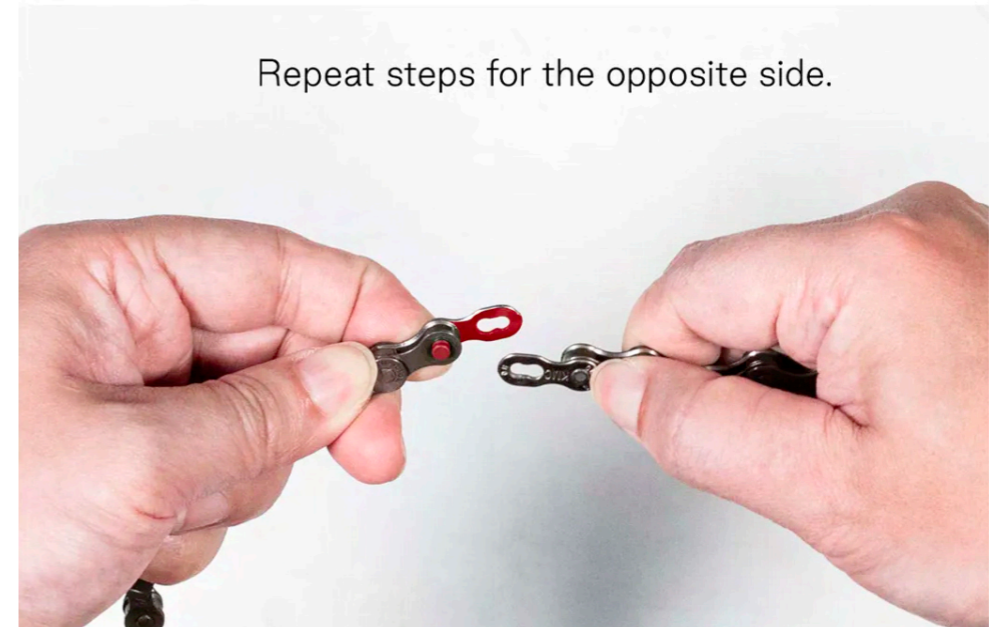
Package Contents



1 X 8 Speed Chain with Quick Links



Repeat steps for the opposite side.



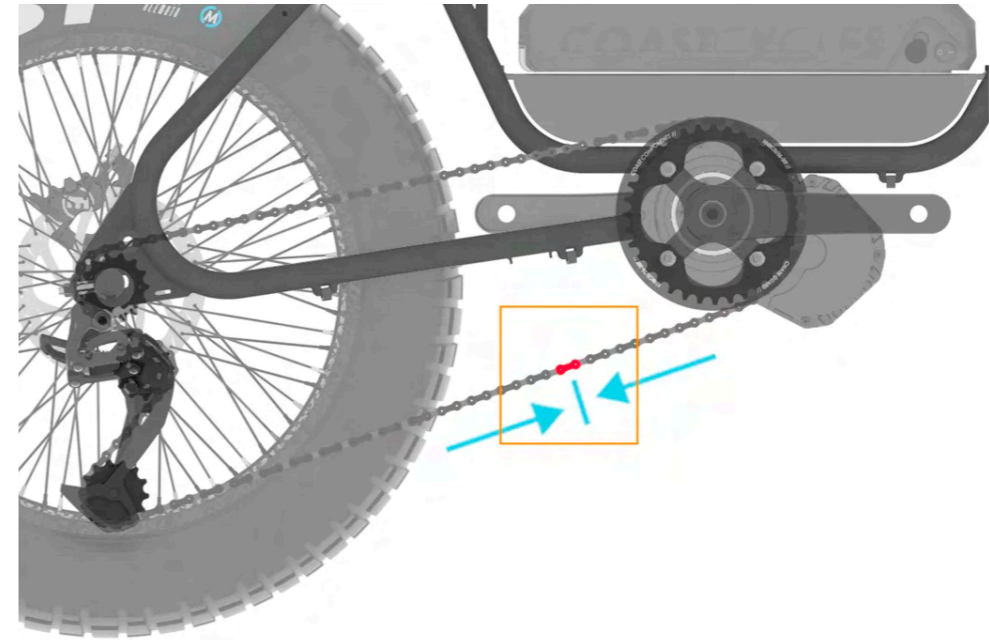
BUZZRAW X

STEP 10 | CHAIN ASSEMBLY

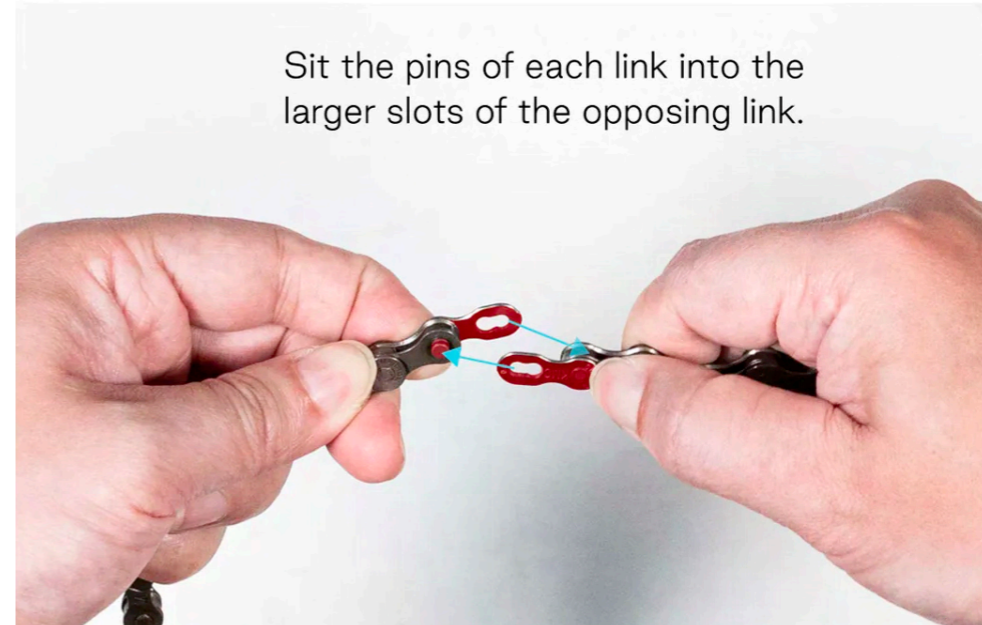
Package Contents



1 X 8 Speed Chain with Quick Links



Sit the pins of each link into the larger slots of the opposing link.



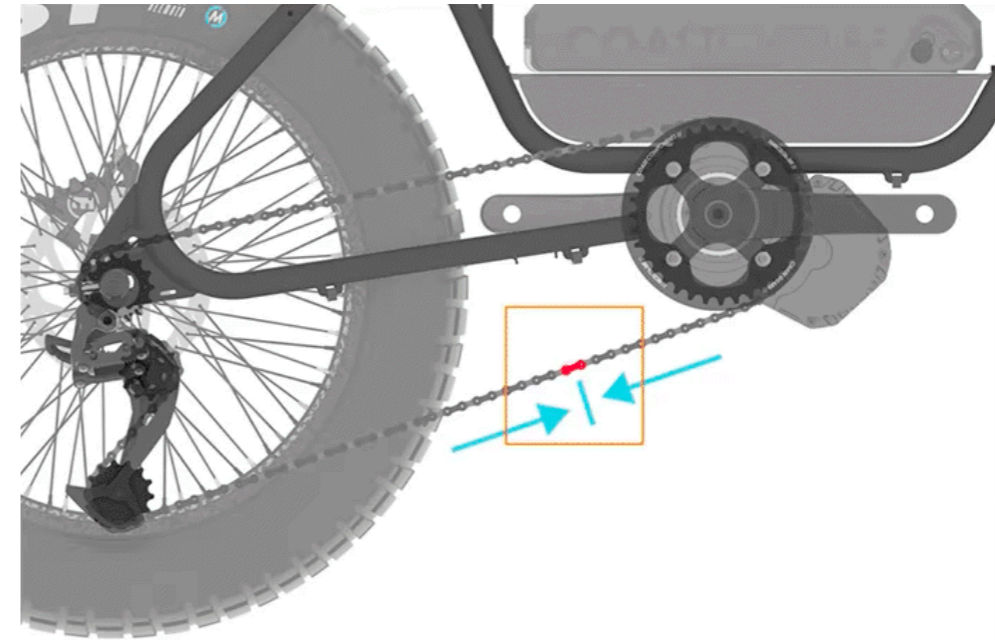
BUZZRAW X

STEP 10 | CHAIN ASSEMBLY

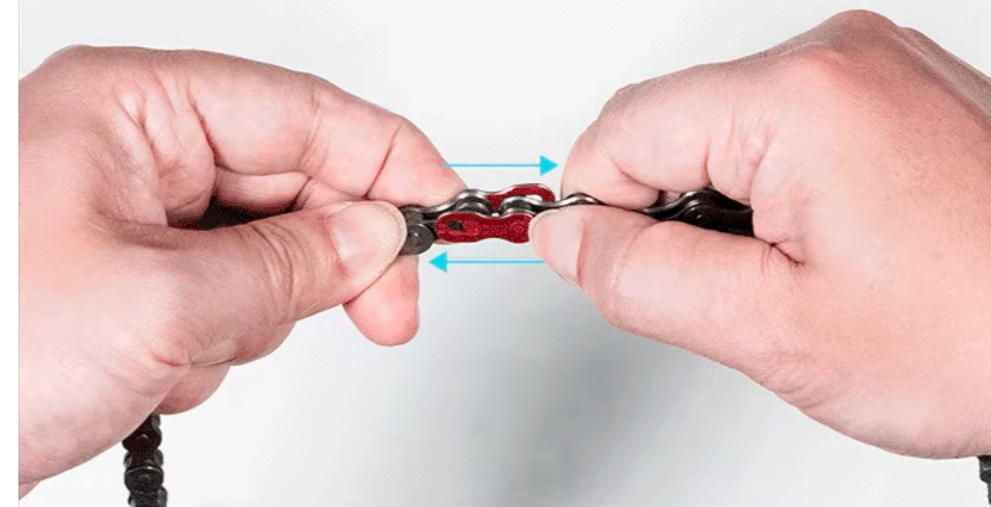
Package Contents



1 X 8 Speed Chain with Quick Links



Pull the link into its closed position.



BUZZRAW X

STEP 10 | CHAIN ASSEMBLY

Package Contents



1 X 8 Speed Chain with Quick Links

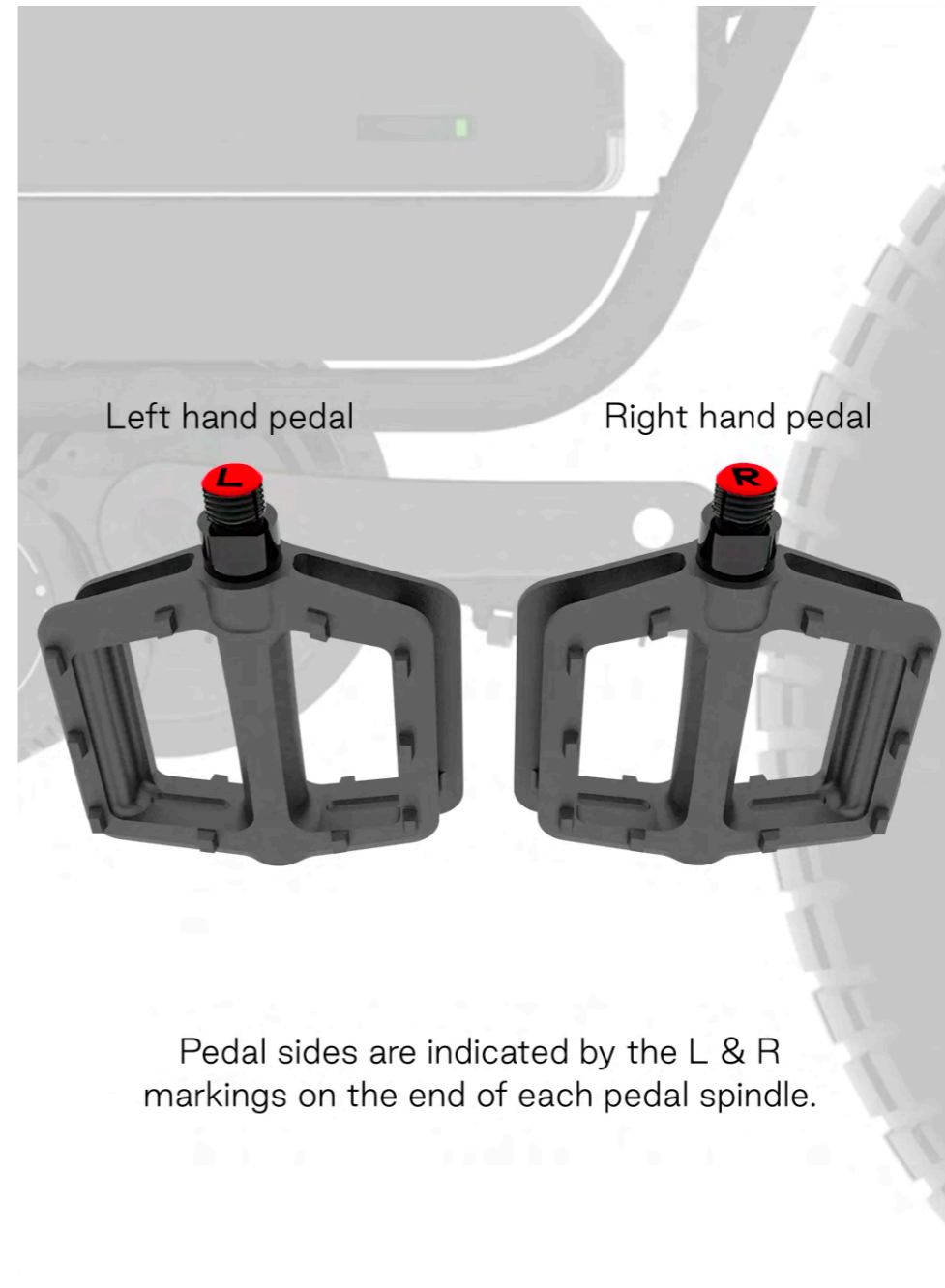


BUZZRAW X

STEP 11 | PEDAL ASSEMBLY

Tool Required

15mm Wrench

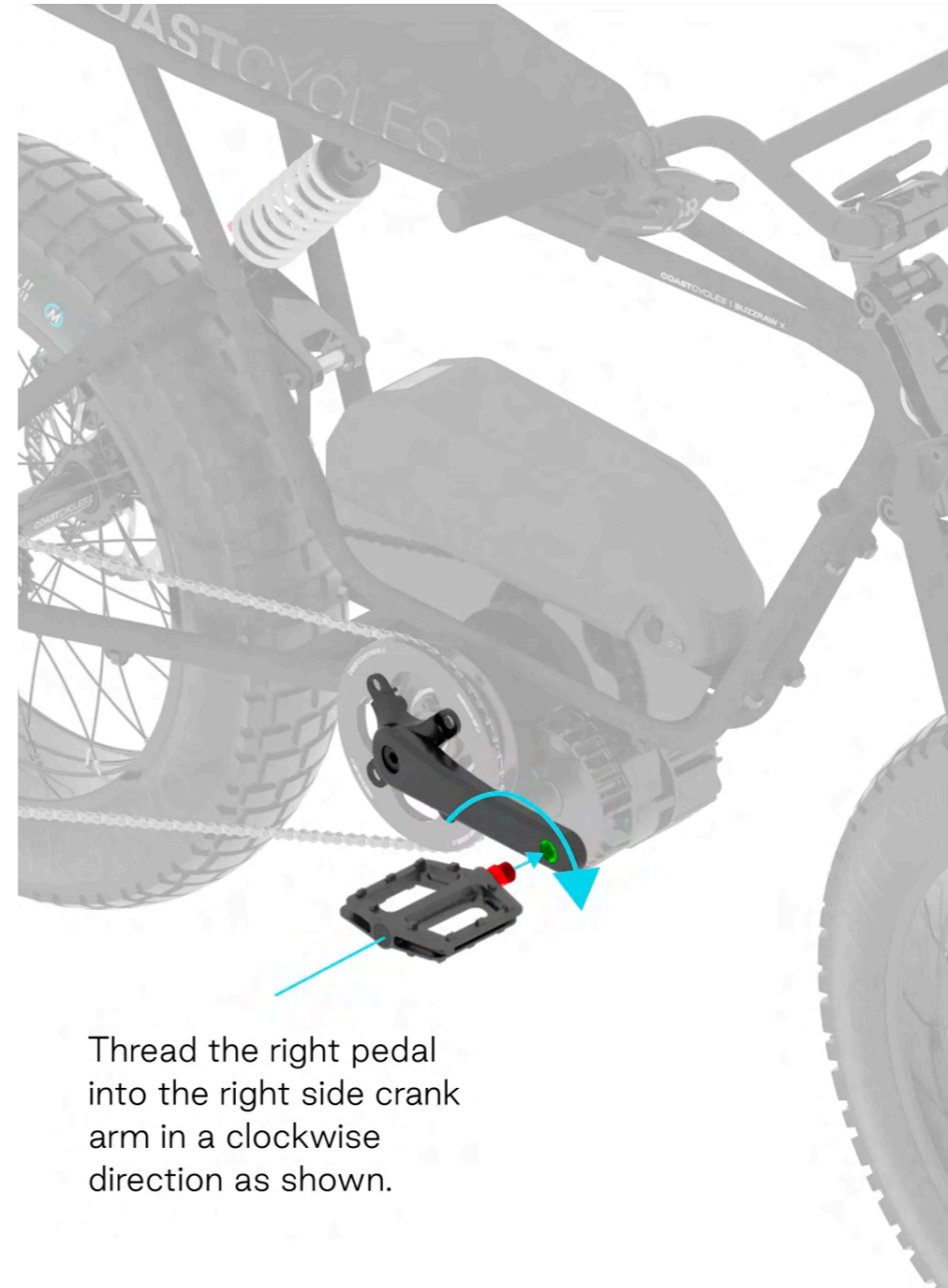


BUZZRAW X

STEP 11 | PEDAL ASSEMBLY

Tool Required

15mm Wrench



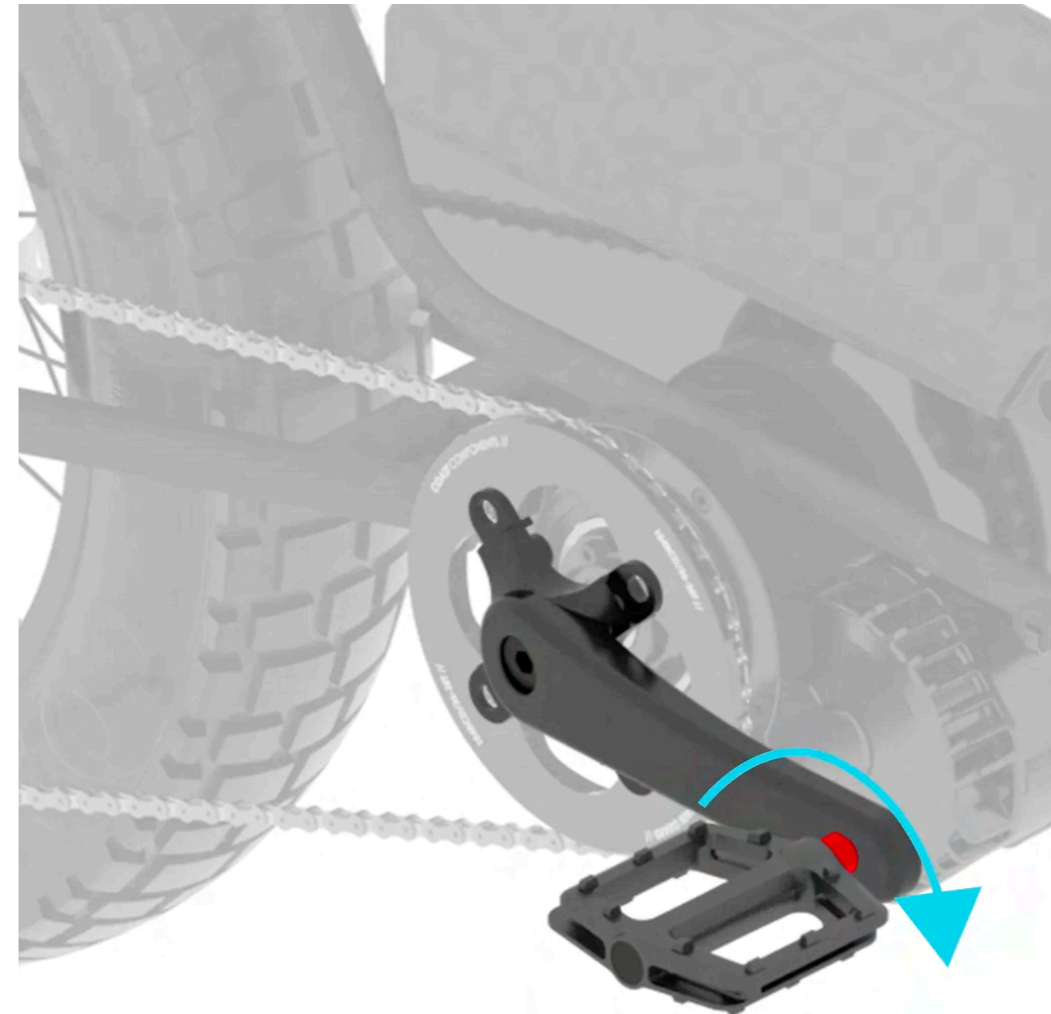
Thread the right pedal into the right side crank arm in a clockwise direction as shown.

BUZZRAW X

STEP 11 | PEDAL ASSEMBLY

Tool Required

15mm Wrench



Tighten the pedal with a 15mm wrench in a clockwise direction.

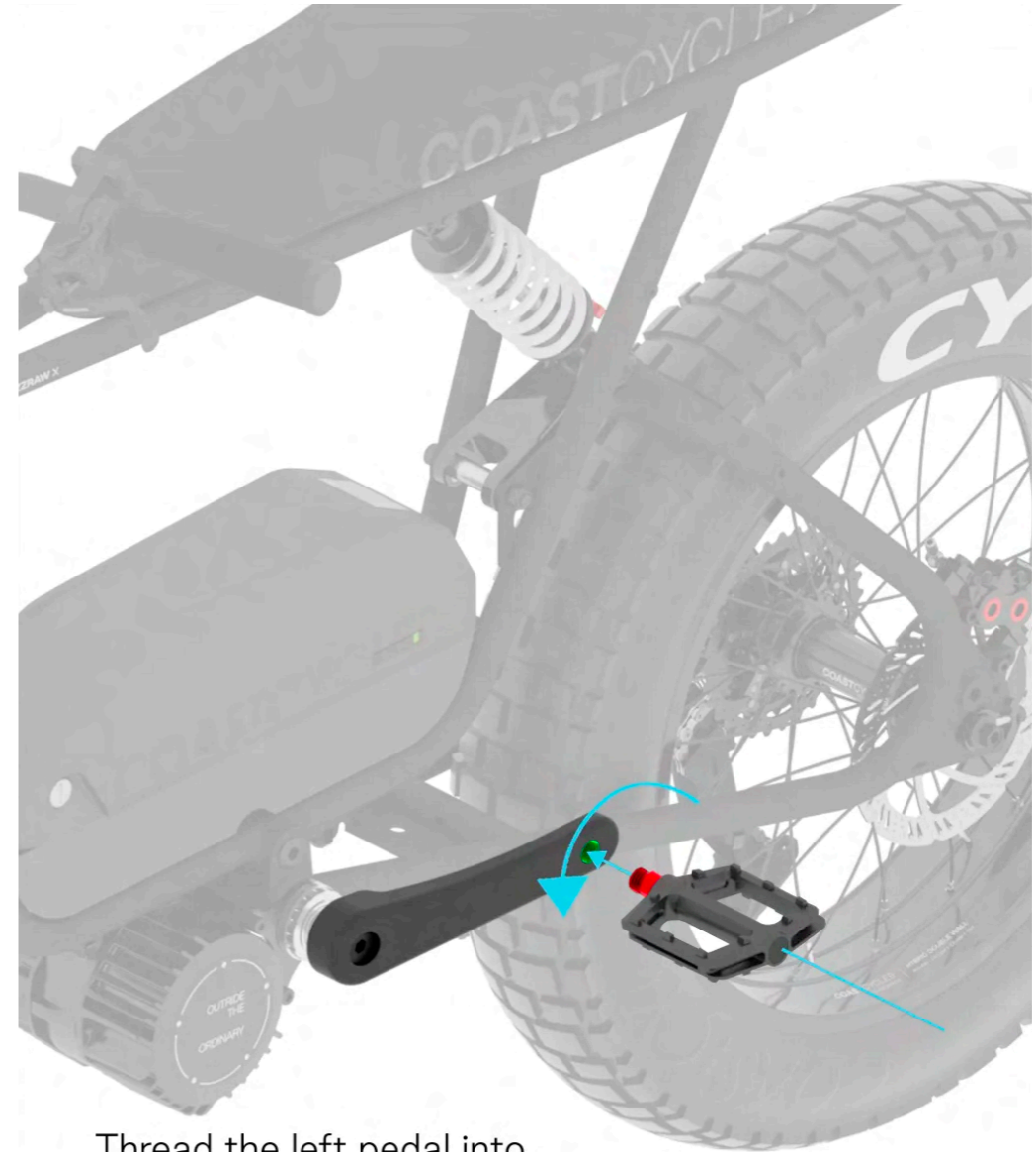
Note: Hold the opposite crank arm as another point of leverage.

BUZZRAW X

STEP 11 | PEDAL ASSEMBLY

Tool Required

15mm Wrench



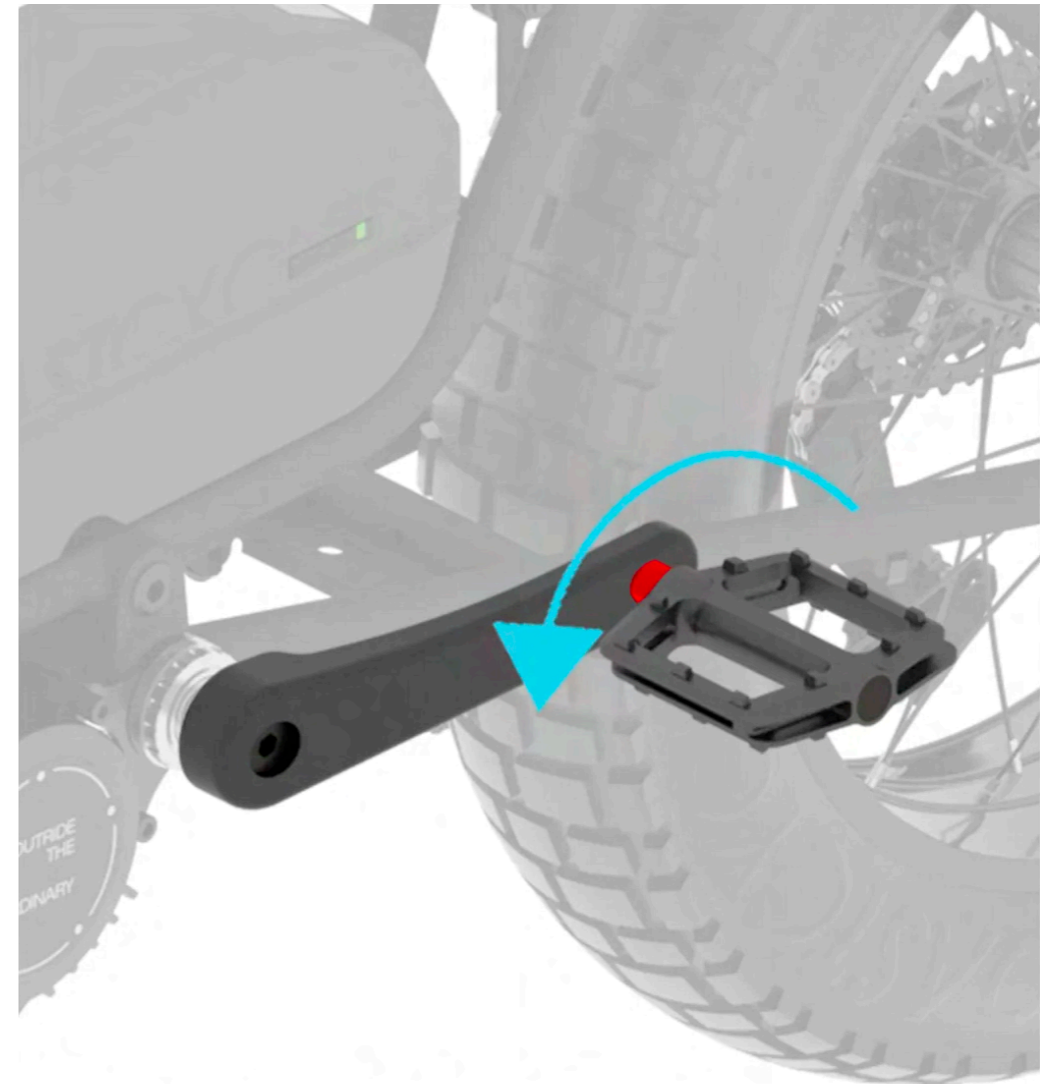
Thread the left pedal into the left side crank arm in a counterclockwise direction as shown.

BUZZRAW X

STEP 11 | PEDAL ASSEMBLY

Tool Required

15mm Wrench



Tighten the pedal with a 15mm wrench in a counterclockwise direction.

Note: Hold the oppsite crank arm as another point of leverage.

BUZZRAW X

STEP 11 | PEDAL ASSEMBLY

Tool Required

15mm Wrench



COASTCYCLES