

OUTRIDE  
THE  
ORDINARY

ASSEMBLY GUIDE

BUZZRAW PRO



BIKE ASSEMBLY

@coastcycles  
<http://coastcycles.com>

## 01. CONTENT PAGE

UNBOXING	2 - 9
HANDLEBAR ASSEMBLY	10 - 16
SADDLE ASSEMBLY	17 - 20
TIRE ASSEMBLY	21 - 26
FRONT WHEEL ASSEMBLY	27 - 30
FRONT CALIPER ASSEMBLY	31 - 35
REAR WHEEL ASSEMBLY	36 - 41
DERAILLEUR ASSEMBLY	42 - 45
CHAIN ASSEMBLY	46 - 53
PEDAL ASSEMBLY	54 - 59

# BUZZRAW PRO

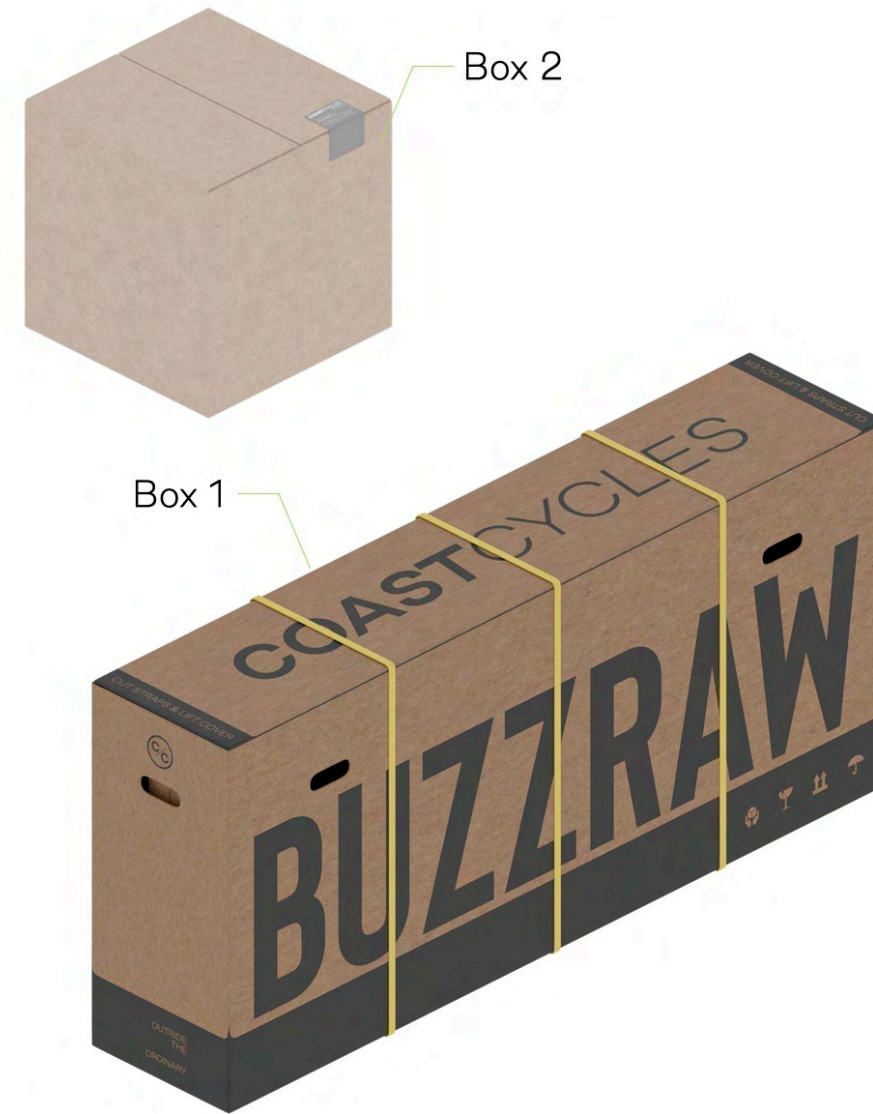
---

## STEP 1 | UNBOXING

---

Tool Required

Scissors



You will receive your bike in two boxes.

# BUZZRAW PRO

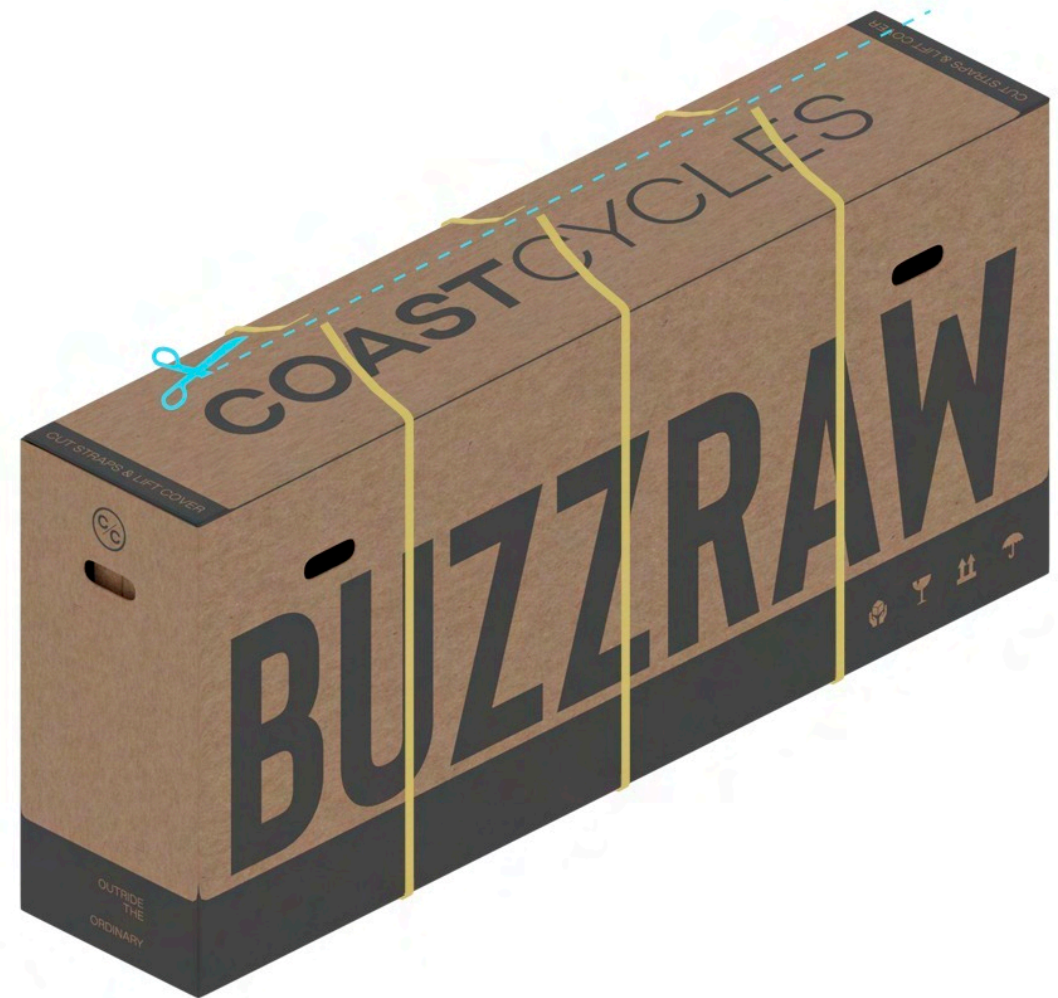
---

## STEP 1 | UNBOXING

---

Tool Required

Scissors



Cut the straps.



# BUZZRAW PRO

## STEP 1 | UNBOXING

Tool Required

Scissors



Lift the box up.

# BUZZRAW PRO

## STEP 1 | UNBOXING

Tool Required

Scissors



Remove the saddle from the box.

# BUZZRAW PRO

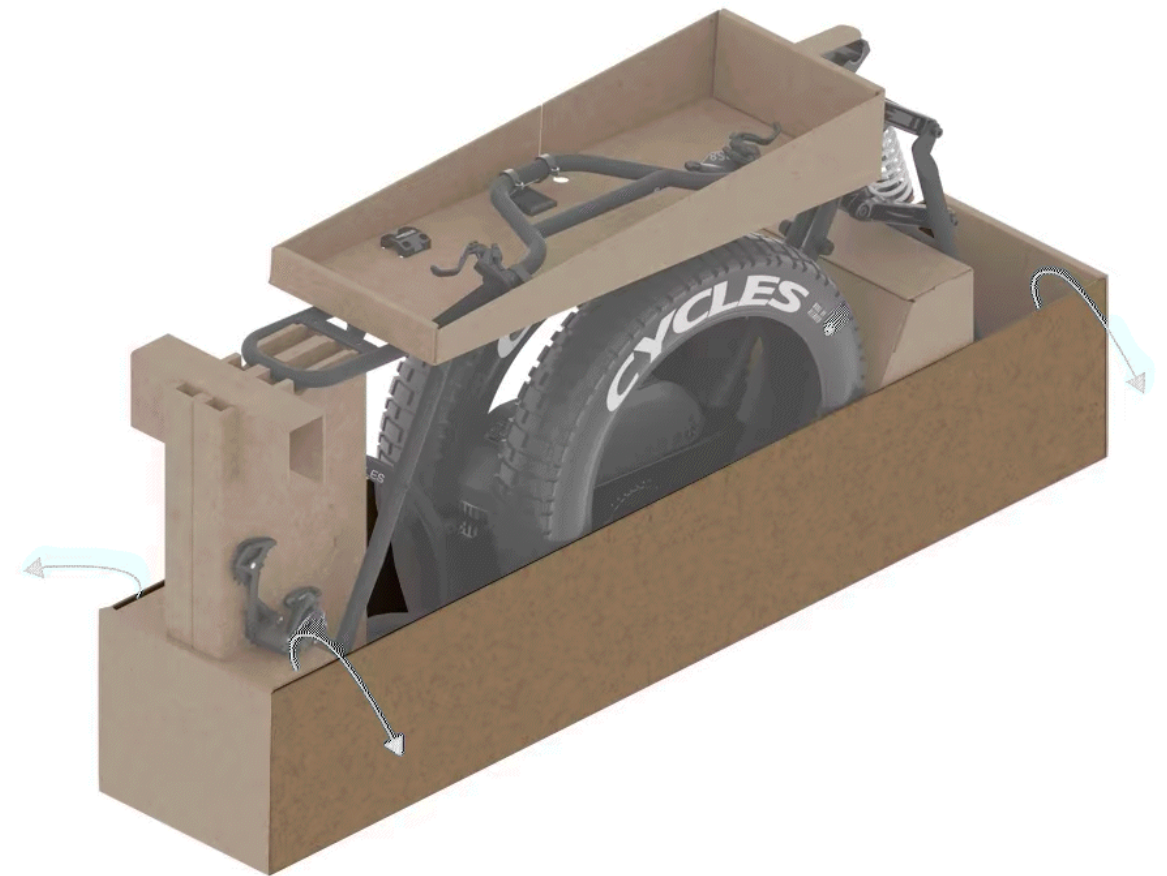
---

## STEP 1 | UNBOXING

---

Tool Required

Scissors



Unfold the sides of the box.

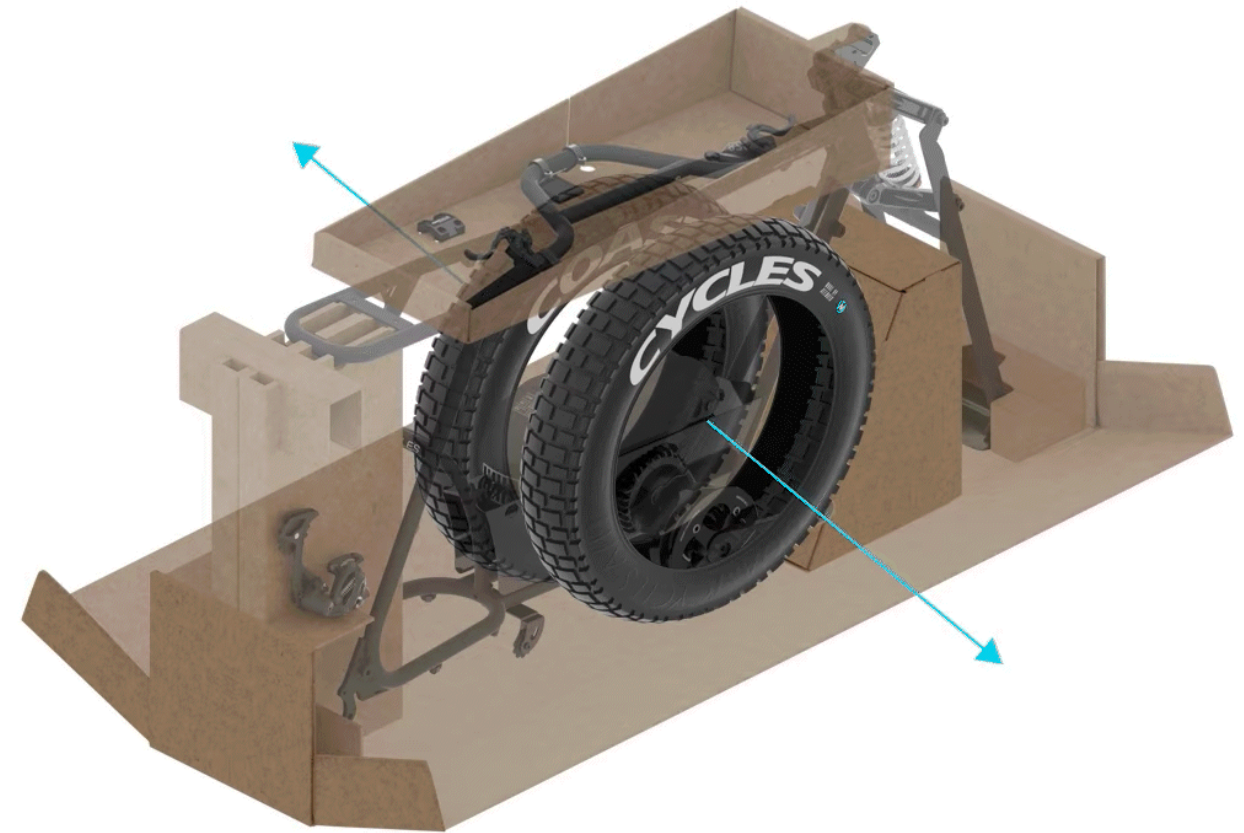


# BUZZRAW PRO

## STEP 1 | UNBOXING

Tool Required

Scissors



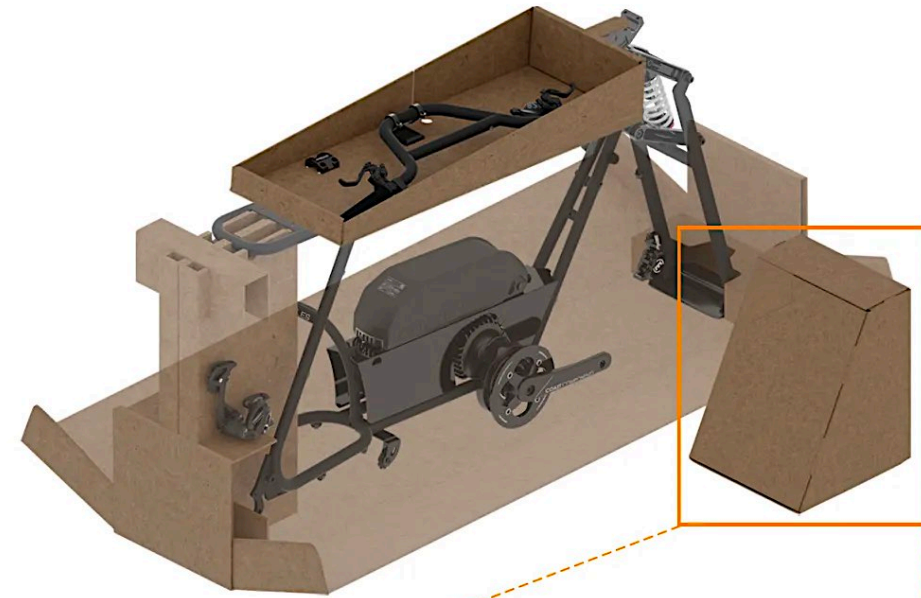
Remove the tires.

# BUZZRAW PRO

## STEP 1 | UNBOXING

Tool Required

Scissors



Accessory box contents.



1 x Chain with Quick Links



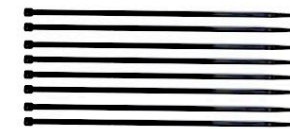
1 Pair Bike Pedal



1 x Toolkit



1 x Reflector Kit



Cable Ties

# BUZZRAW PRO

---

## STEP 1 | UNBOXING

---

Tool Required

Scissors





# BUZZRAW PRO

## STEP 2 | HANDLEBAR ASSEMBLY

Tool Required

6mm Hex Wrench

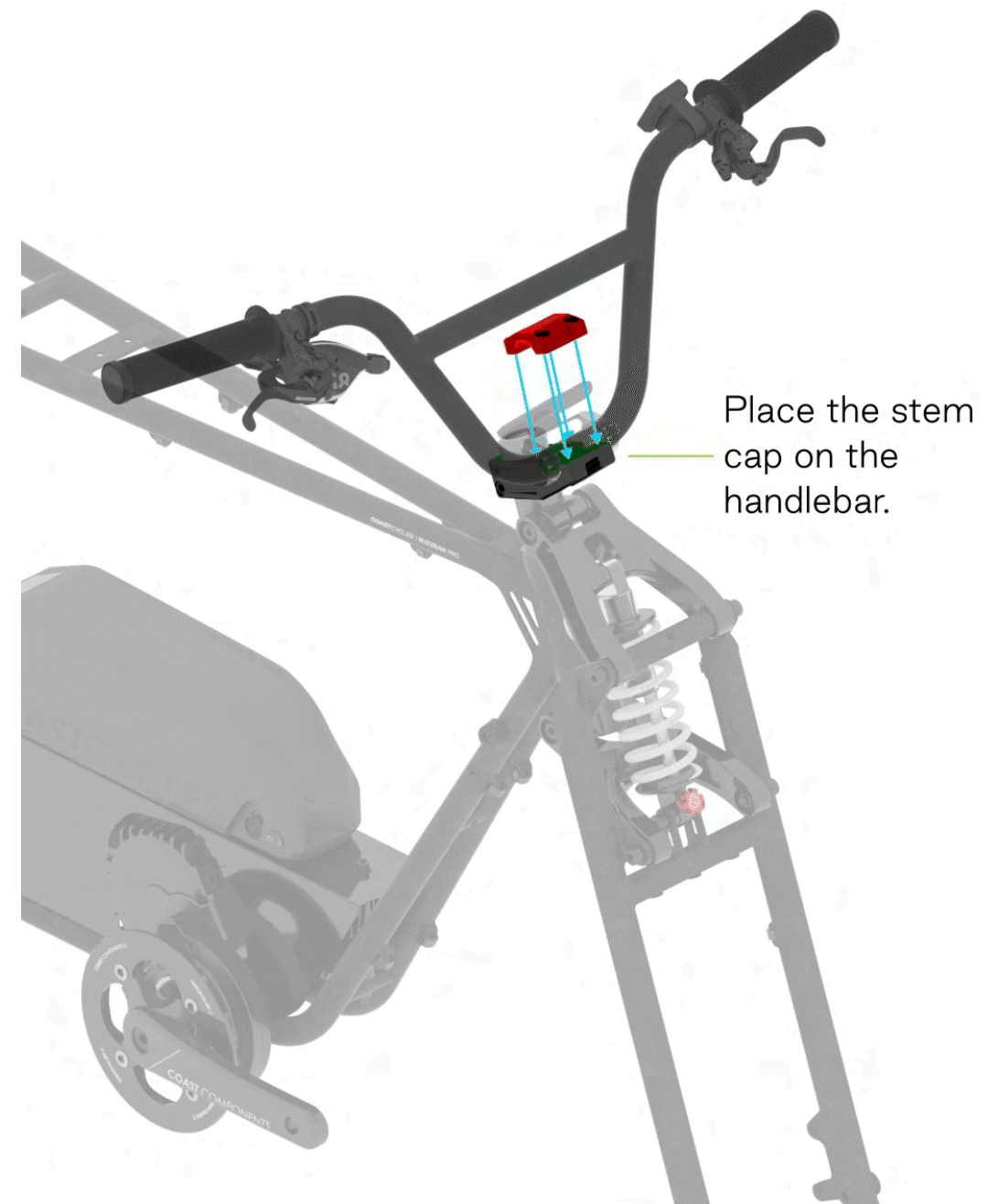


# BUZZRAW PRO

## STEP 2 | HANDLEBAR ASSEMBLY

Tool Required

6mm Hex Wrench



# BUZZRAW PRO

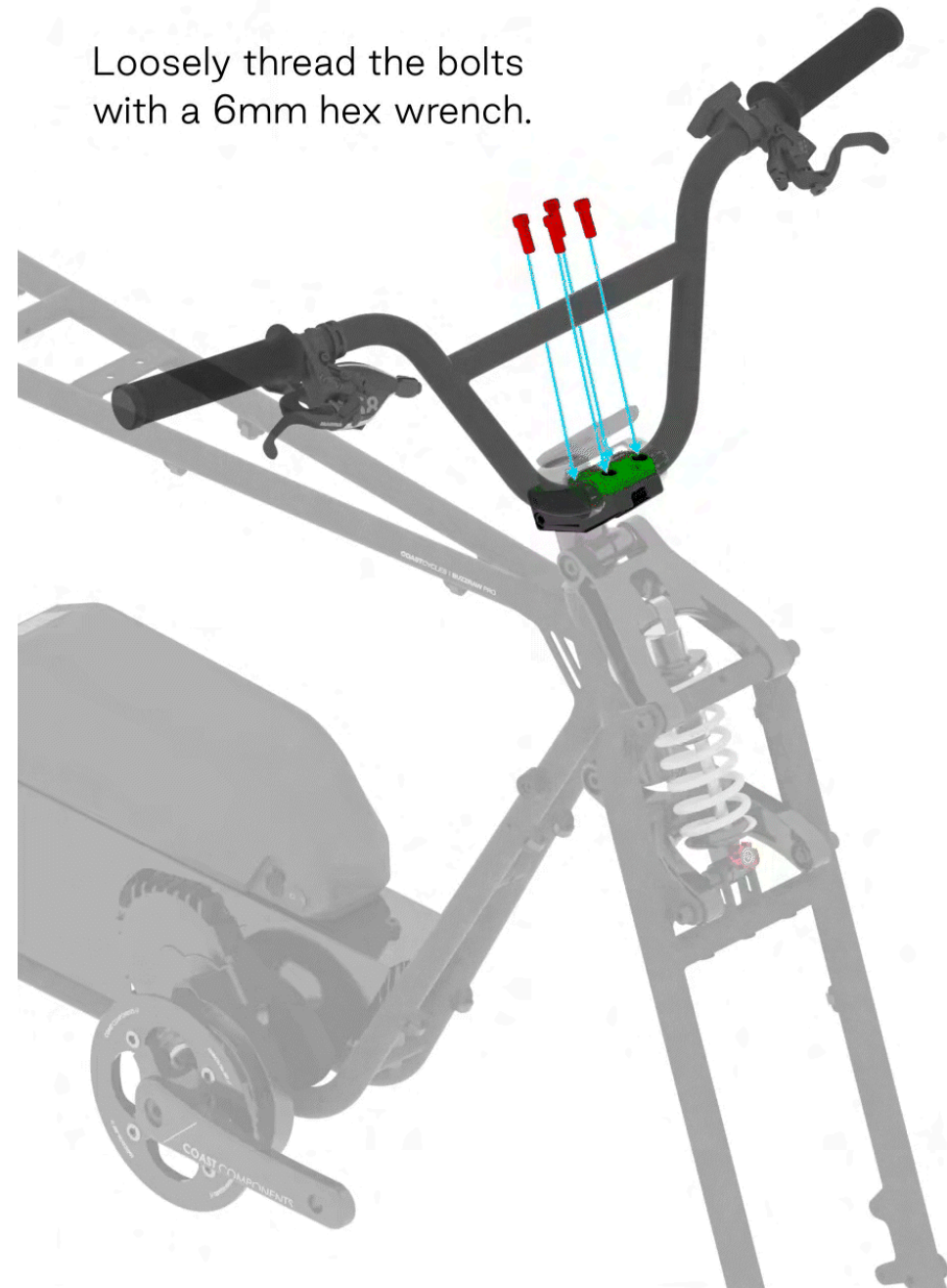
## STEP 2 | HANDLEBAR ASSEMBLY

Tool Required

6mm Hex Wrench



Loosely thread the bolts  
with a 6mm hex wrench.

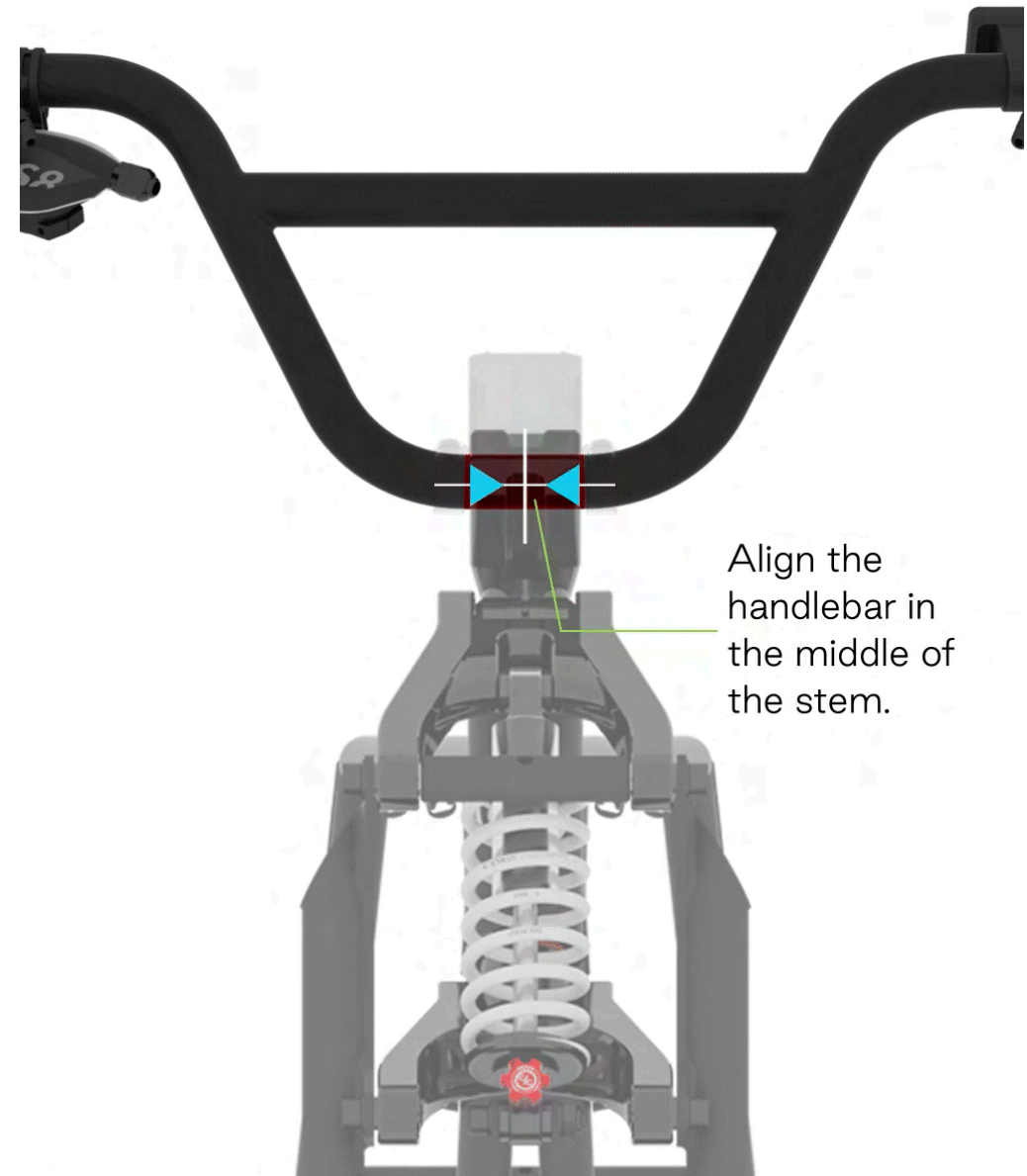


# BUZZRAW PRO

## STEP 2 | HANDLEBAR ASSEMBLY

Tool Required

6mm Hex Wrench



Align the  
handlebar in  
the middle of  
the stem.

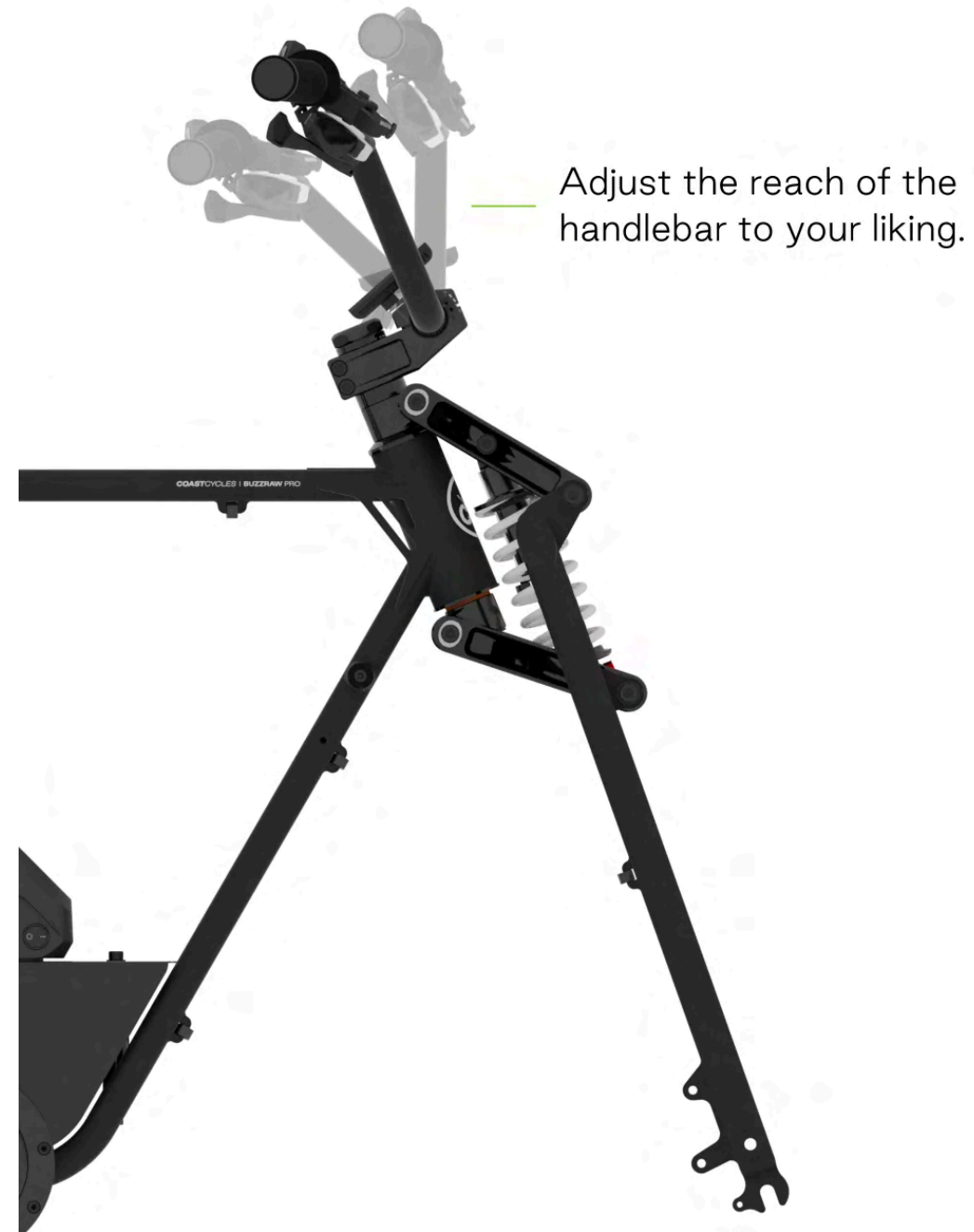


# BUZZRAW PRO

## STEP 2 | HANDLEBAR ASSEMBLY

Tool Required

6mm Hex Wrench

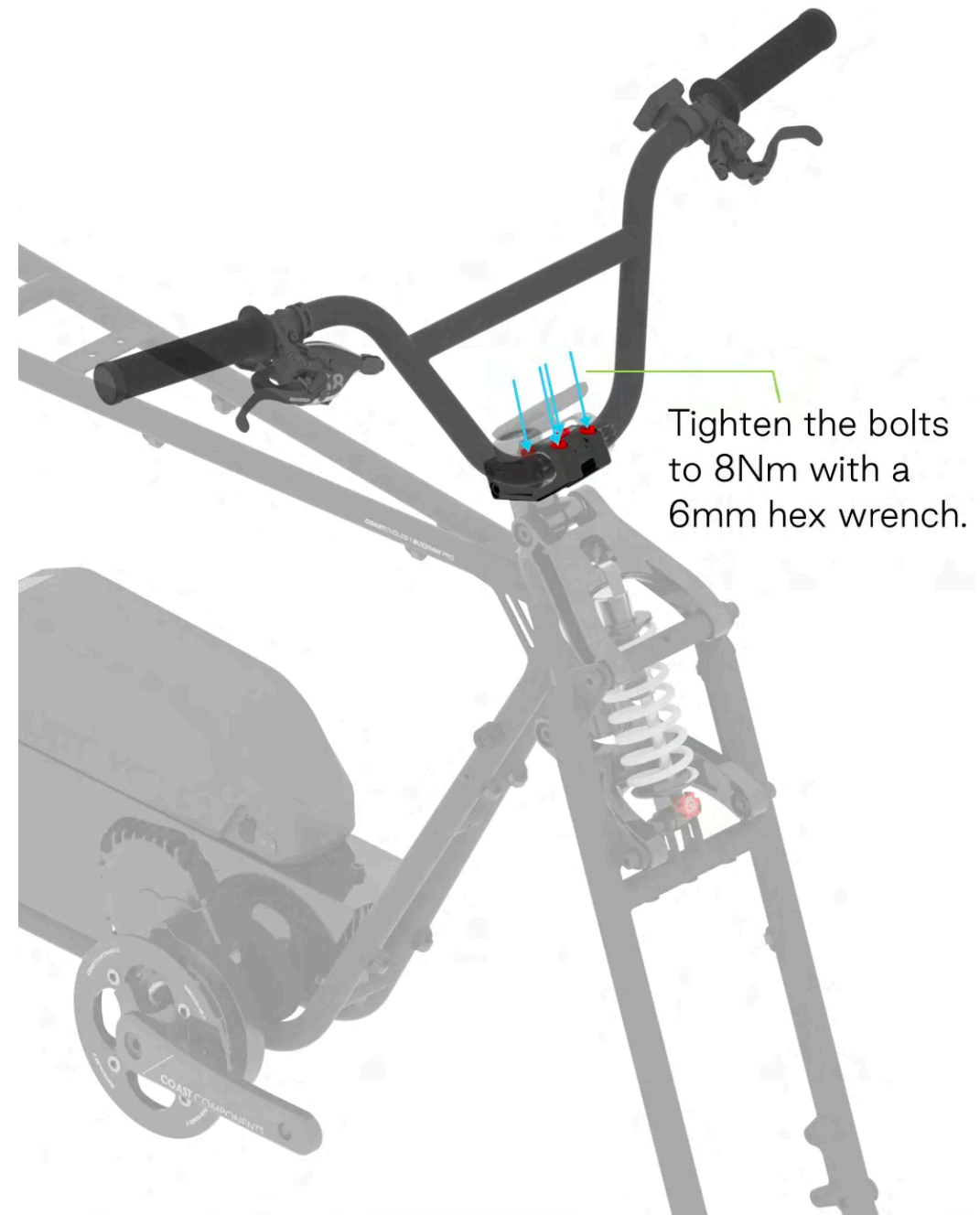


# BUZZRAW PRO

## STEP 2 | HANDLEBAR ASSEMBLY

Tool Required

6mm Hex Wrench





# BUZZRAW PRO

---

## STEP 2 | HANDLEBAR ASSEMBLY

---

Tool Required

6mm Hex Wrench



# BUZZRAW PRO

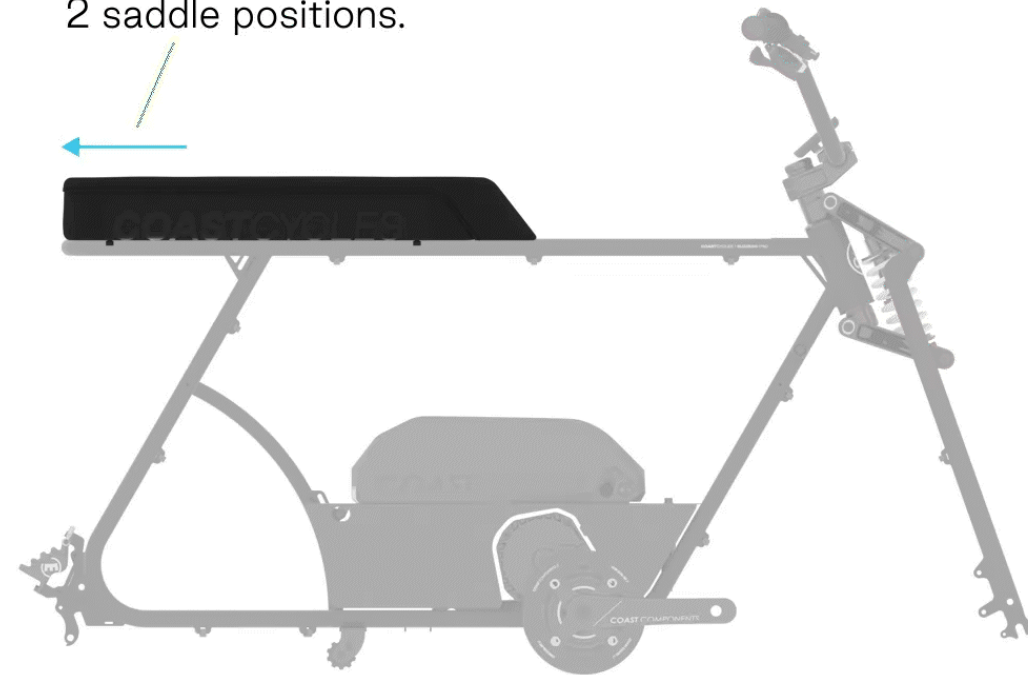
## STEP 3 | SADDLE ASSEMBLY

Tool Required

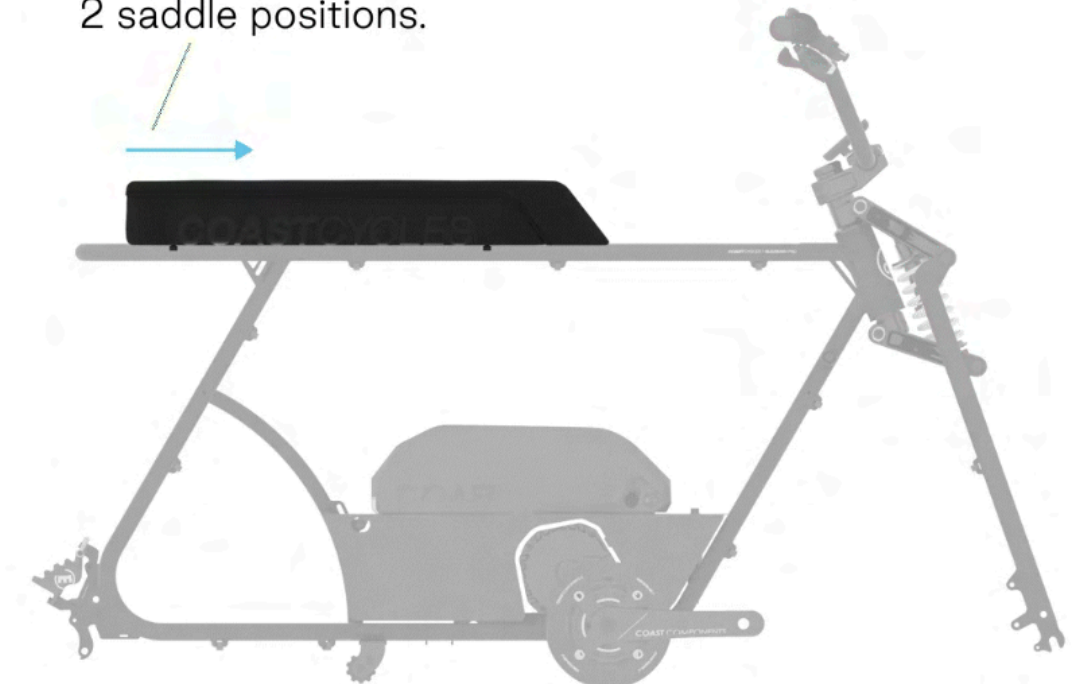
5mm Hex Wrench



The Buzzraw Pro has  
2 saddle positions.



The Buzzraw Pro has  
2 saddle positions.



# BUZZRAW PRO

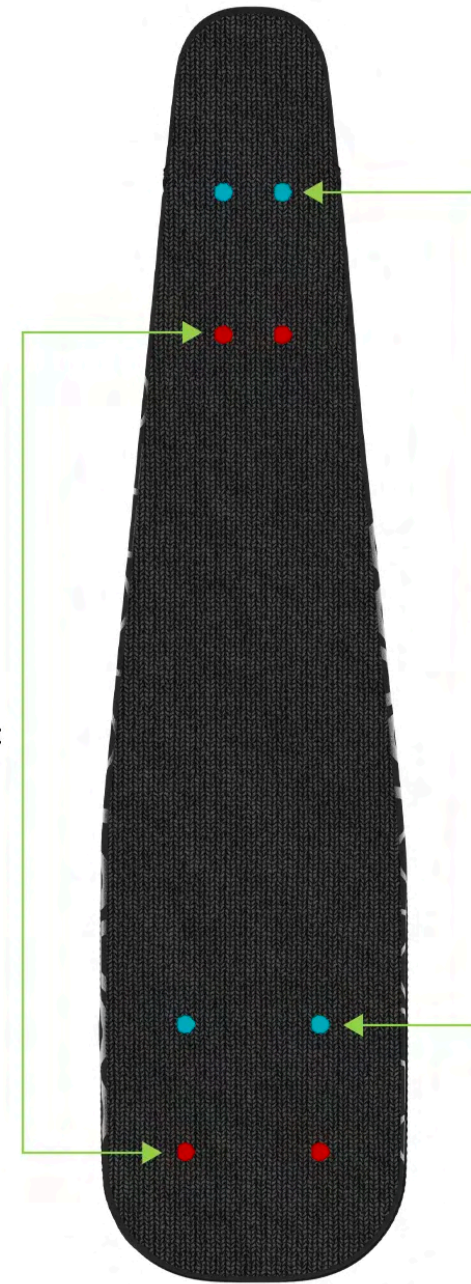
## STEP 3 | SADDLE ASSEMBLY

Tool Required

5mm Hex Wrench



Forward Position:  
<1.75m Height



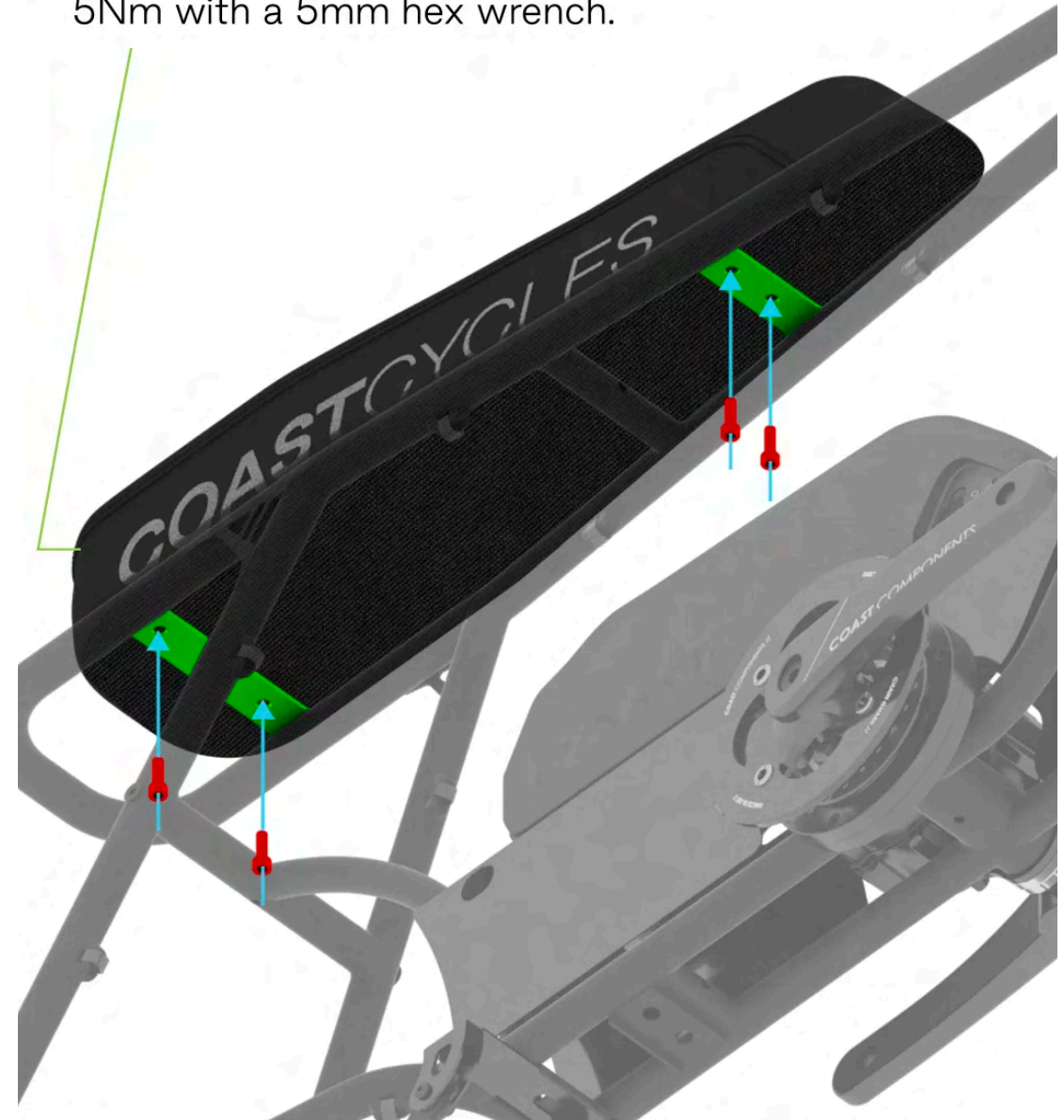
Rear Position:  
>1.75m Height

# BUZZRAW PRO

## STEP 3 | SADDLE ASSEMBLY

Tool Required | 5mm Hex Wrench | 

Locate the 4 saddle bolts and fasten the saddle to the frame as shown to 5Nm with a 5mm hex wrench.





# BUZZRAW PRO

---

## STEP 3 | SADDLE ASSEMBLY

---

Tool Required

5mm Hex Wrench



# BUZZRAW PRO

---

## STEP 4 | TIRE ASSEMBLY

---

### Package Contents



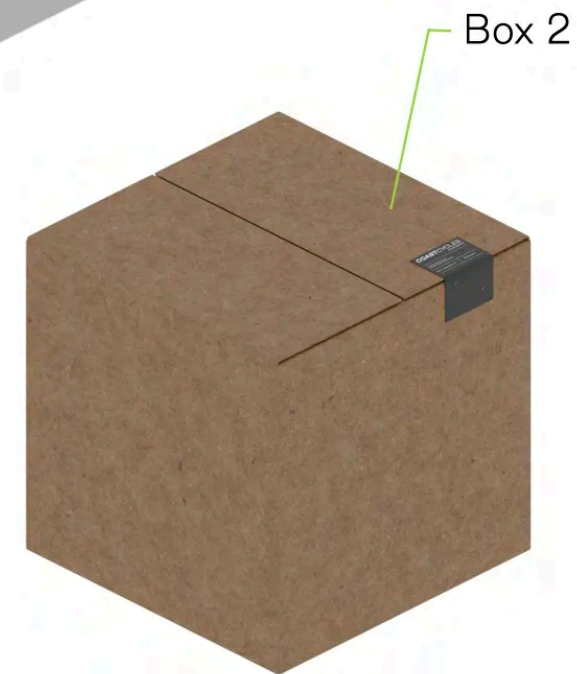
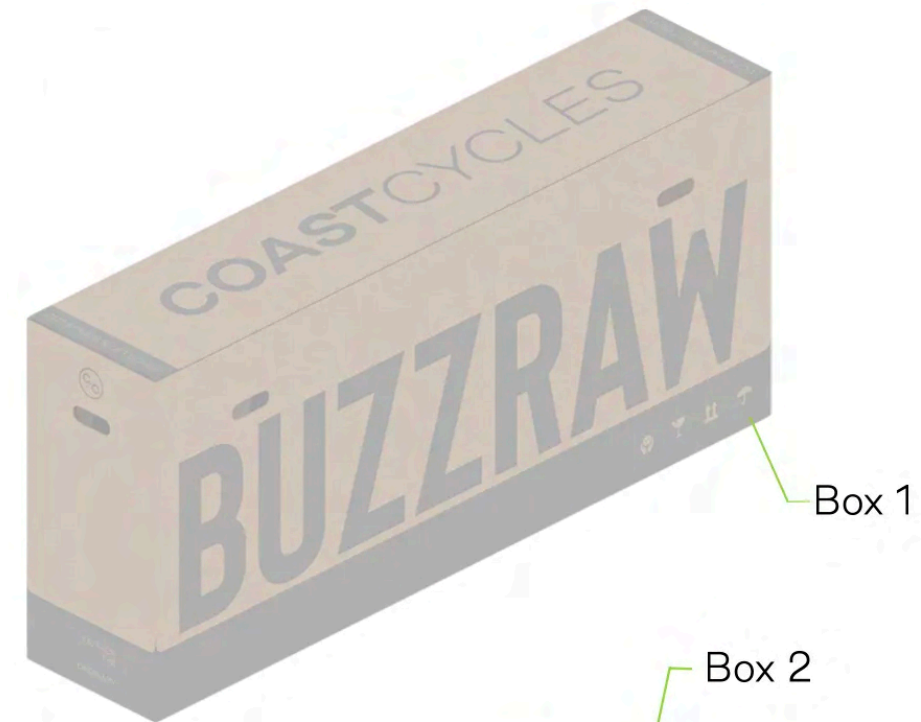
2 X AT1 Tires



1 X Wheelset



2 X Tubes





# BUZZRAW PRO

---

## STEP 4 | TIRE ASSEMBLY

---

### Package Contents



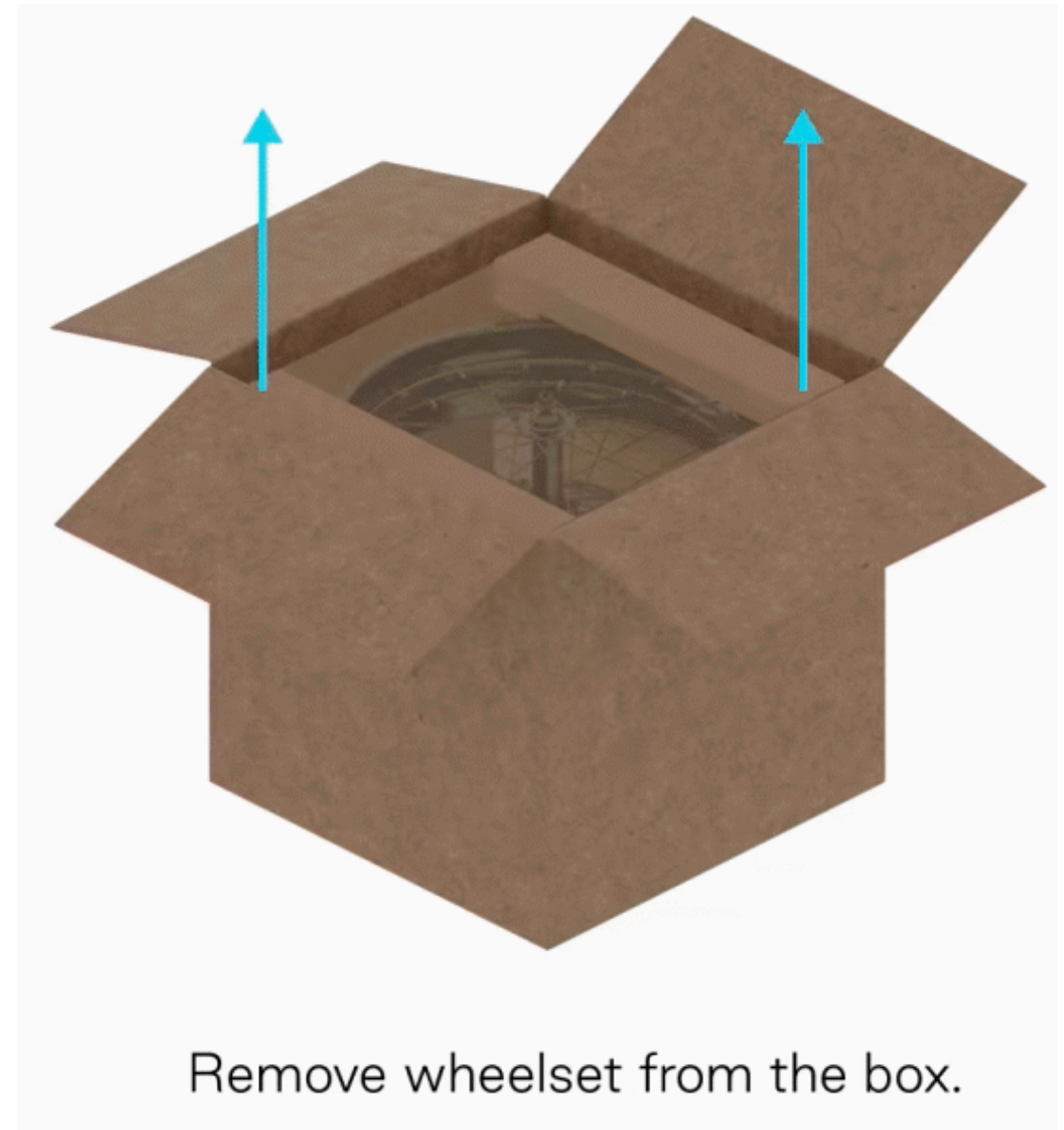
2 X AT1 Tires



1 X Wheelset



2 X Tubes



# BUZZRAW PRO

---

## STEP 4 | TIRE ASSEMBLY

---

### Package Contents



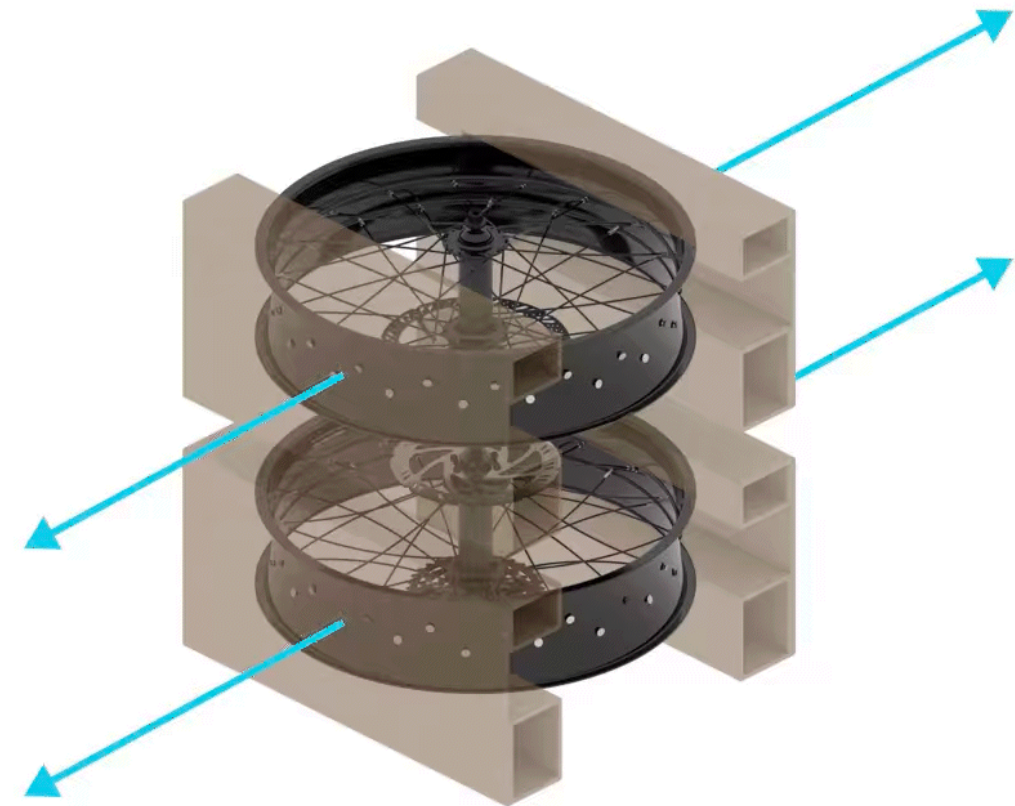
2 X AT1 Tires



1 X Wheelset



2 X Tubes



Remove supports from the wheelset.

# BUZZRAW PRO

---

## STEP 4 | TIRE ASSEMBLY

---

### Package Contents



2 X AT1 Tires



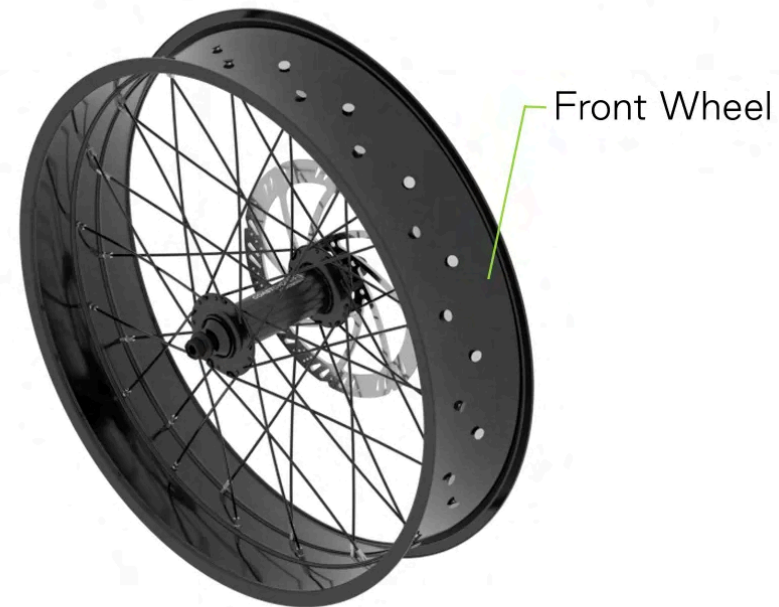
1 X Wheelset



2 X Tubes



Rear Wheel



Front Wheel



# BUZZRAW PRO

---

## STEP 4 | TIRE ASSEMBLY

---

### Package Contents



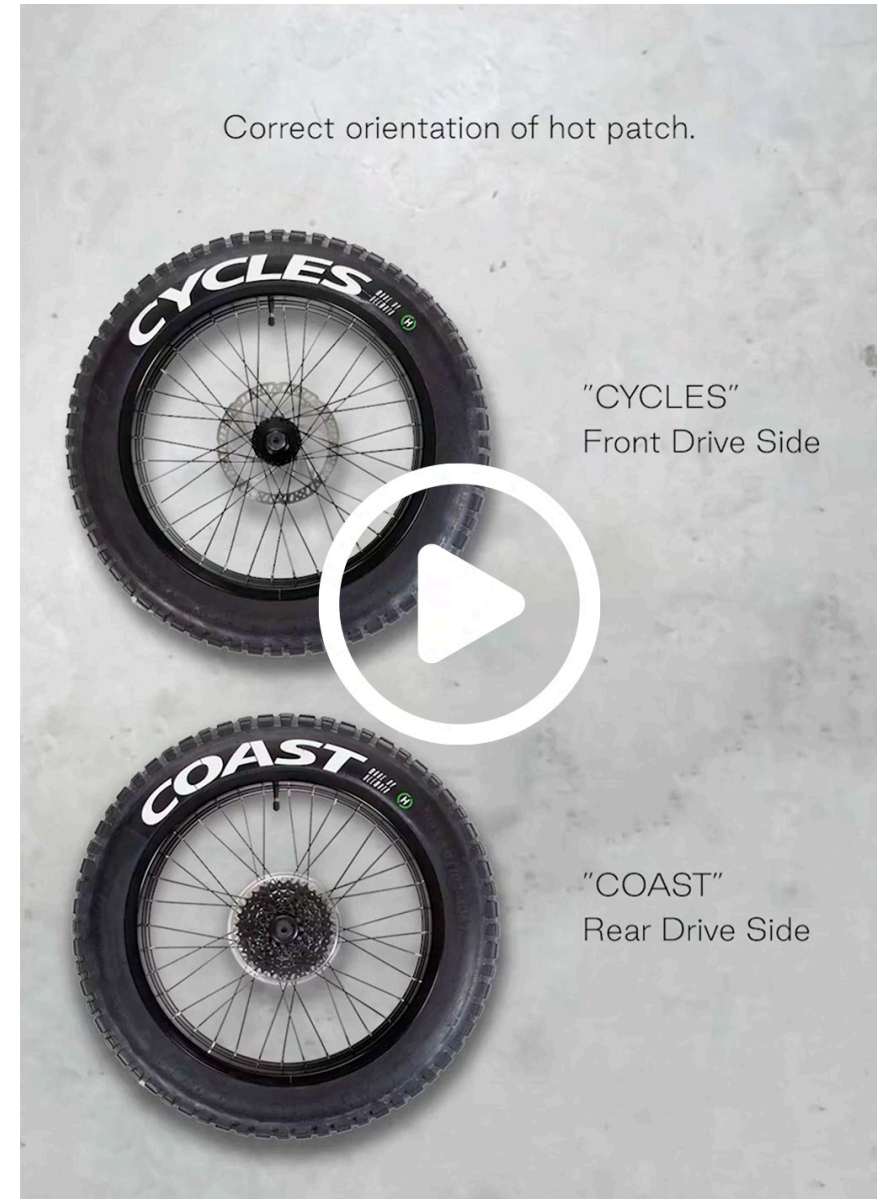
2 X AT1 Tires



1 X Wheelset



2 X Tubes



[Click Here For Tire Installation Video](#)

# BUZZRAW PRO

---

## STEP 4 | TIRE ASSEMBLY

---

### Package Contents



2 X AT1 Tires



1 X Wheelset



2 X Tubes

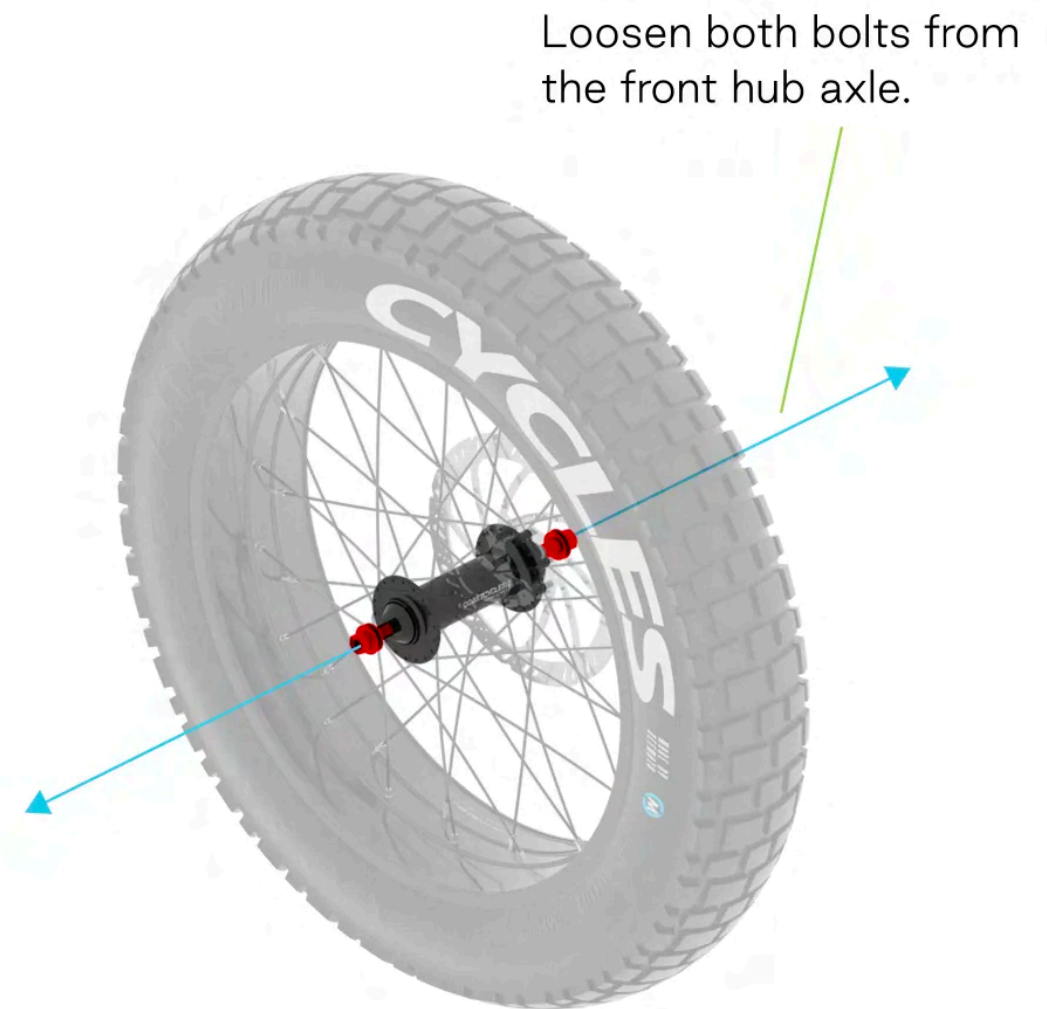


# BUZZRAW PRO

## STEP 5 | FRONT WHEEL ASSEMBLY

Tool Required

8mm Hex Wrench | 



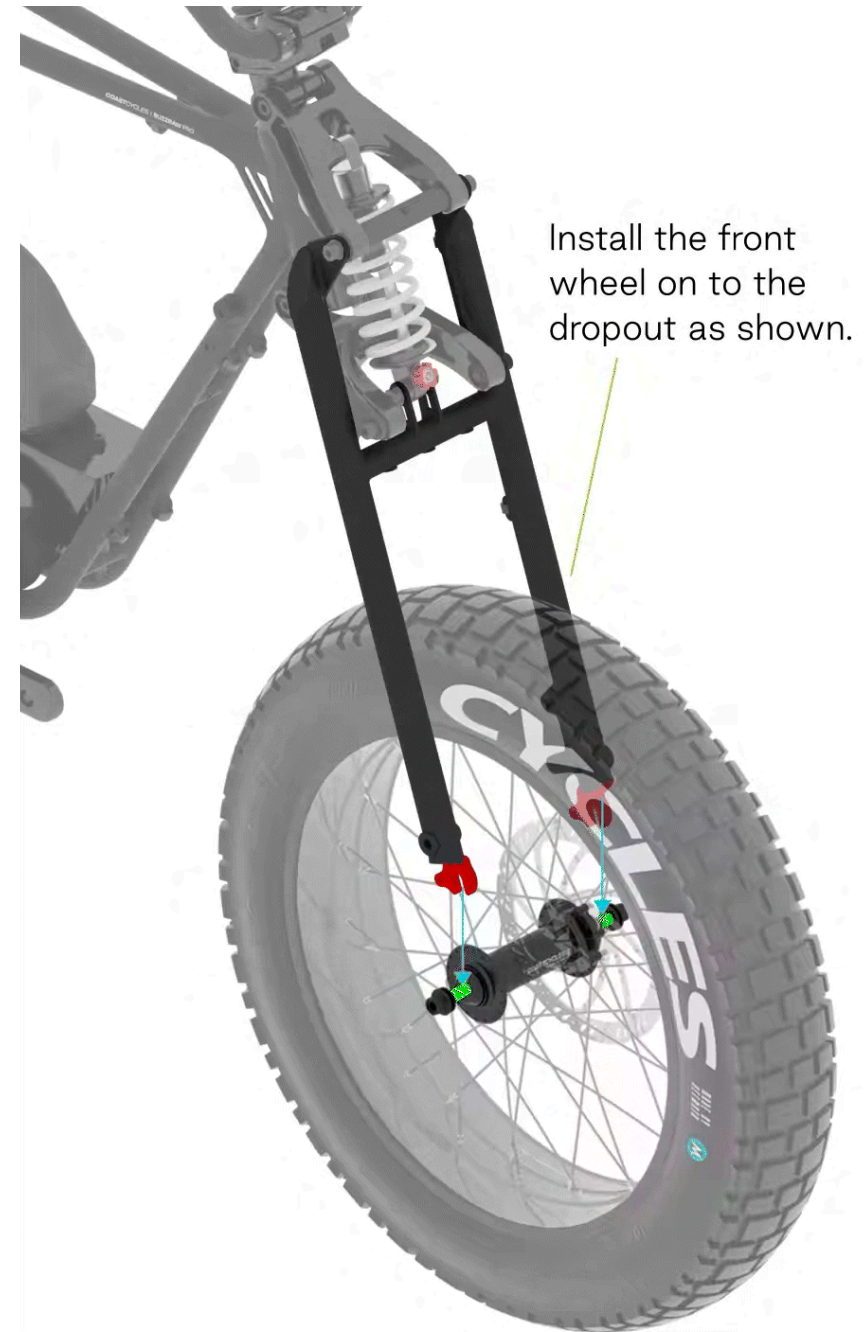


# BUZZRAW PRO

## STEP 5 | FRONT WHEEL ASSEMBLY

Tool Required

8mm Hex Wrench | 

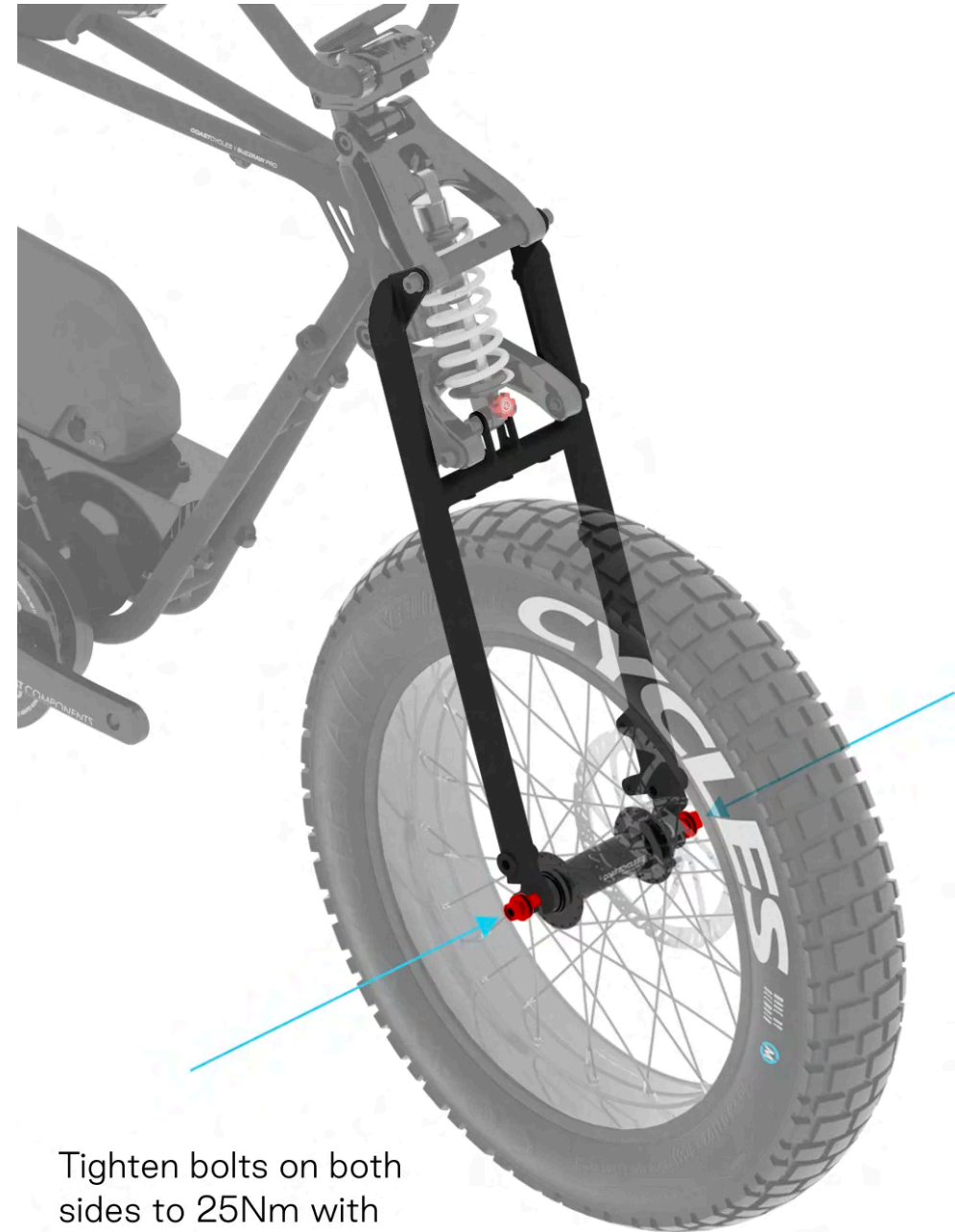


# BUZZRAW PRO

## STEP 5 | FRONT WHEEL ASSEMBLY

Tool Required

8mm Hex Wrench | 



Tighten bolts on both sides to 25Nm with an 8mm hex wrench.

# BUZZRAW PRO

---

## STEP 5 | FRONT WHEEL ASSEMBLY

---

Tool Required



8mm Hex Wrench | 

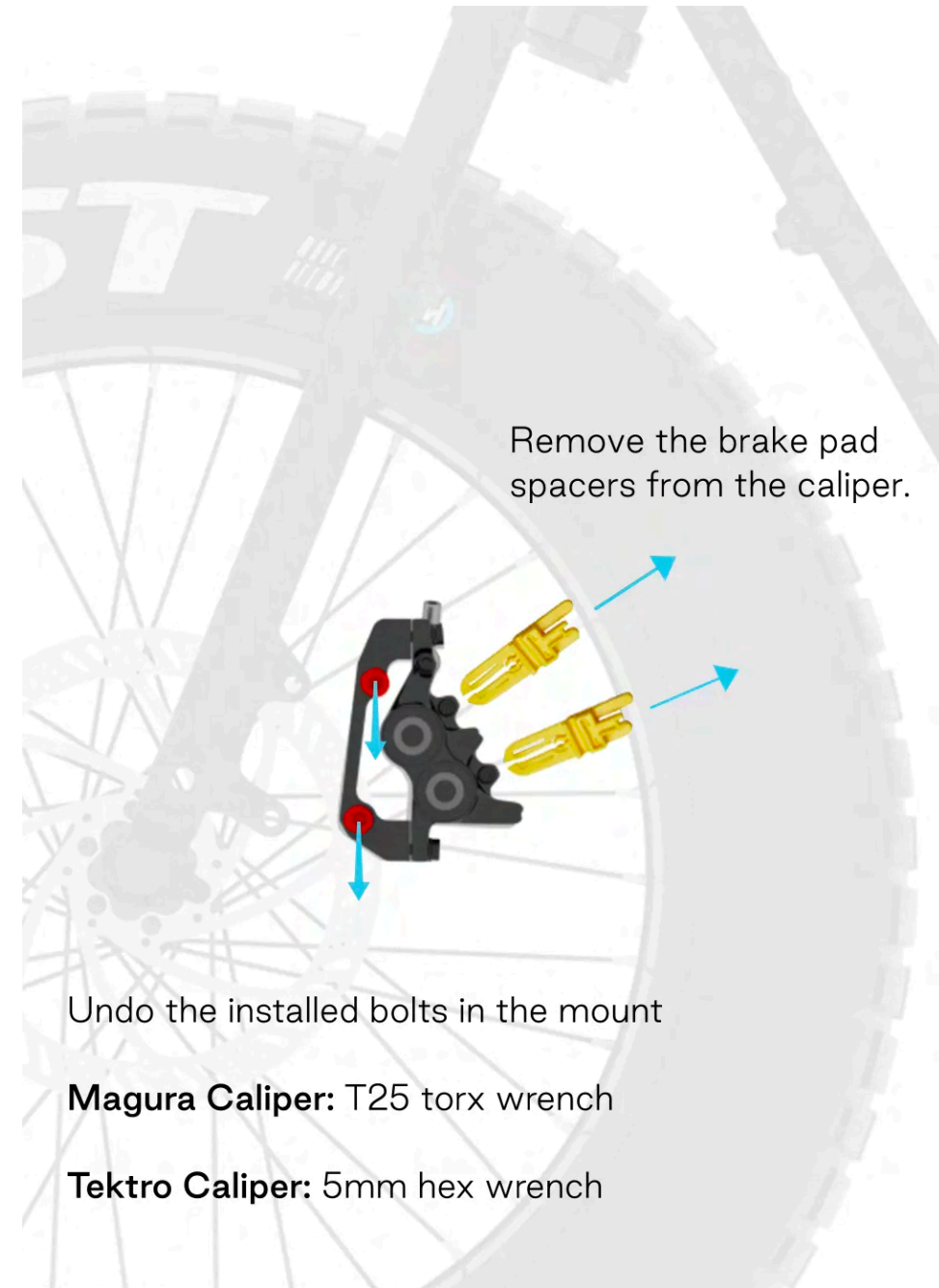


# BUZZRAW PRO

## STEP 6 | FRONT CALIPER ASSEMBLY

### Tools Required

Magura	T25 Torx Wrench		
Tektro	5mm Hex Wrench		







# BUZZRAW PRO

## STEP 6 | FRONT CALIPER ASSEMBLY

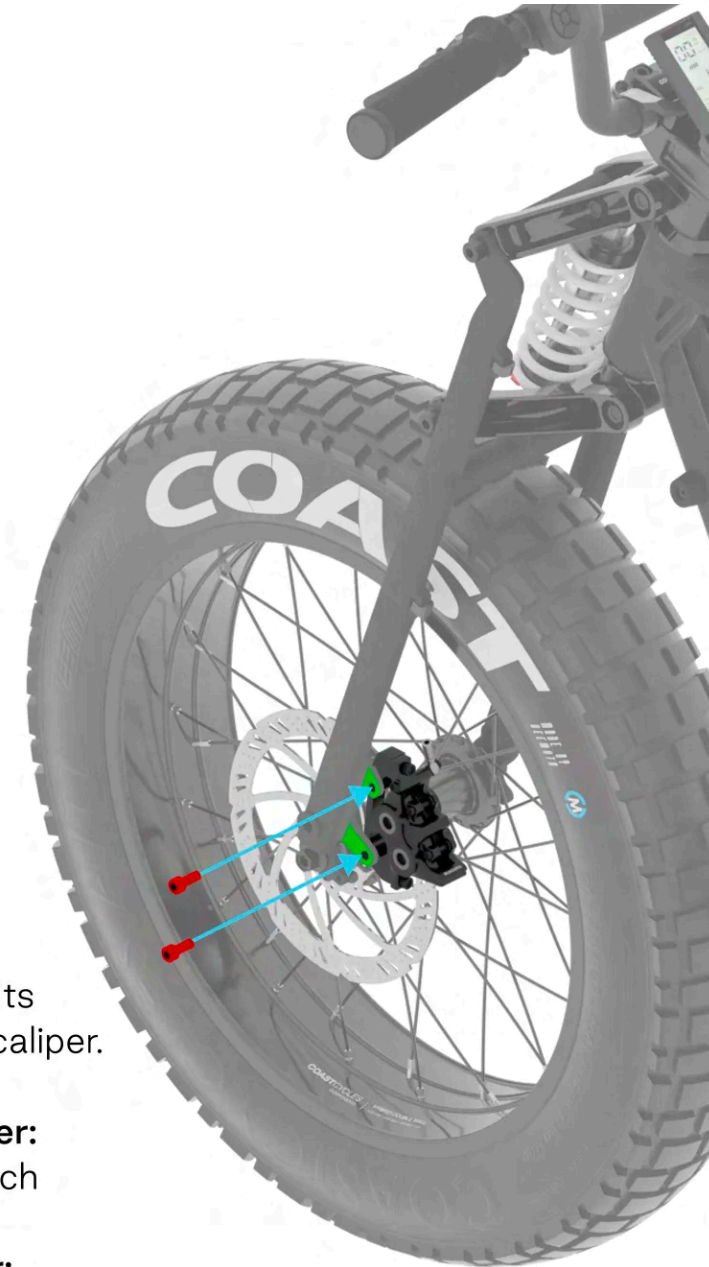
### Tools Required

Magura	T25 Torx Wrench		
Tektro	5mm Hex Wrench		

Secure the bolts into the front caliper.

**Magura Caliper:**  
T25 torx wrench

**Tektro Caliper:**  
5mm hex wrench



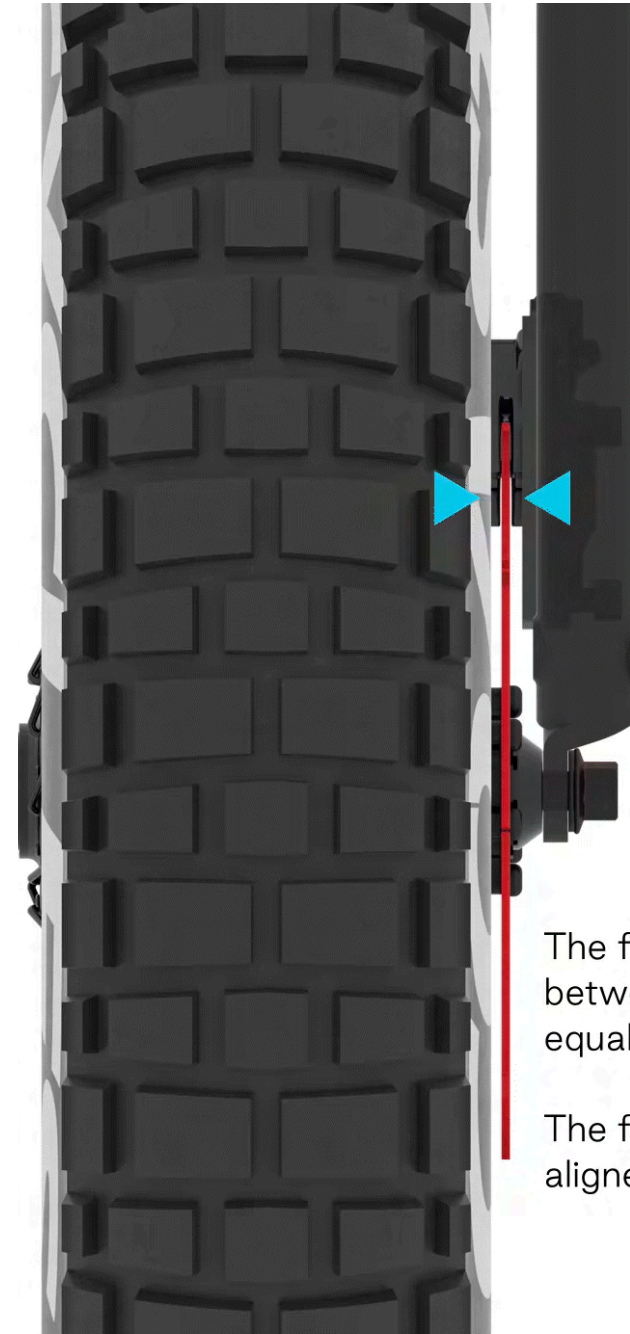
# BUZZRAW PRO

## STEP 6 | FRONT CALIPER ASSEMBLY

### Tools Required

Magura | T25 Torx Wrench | 

Tektro | 5mm Hex Wrench | 





The front disc should sit between brake pads with equal gaps on each side.

The front caliper has been aligned before shipping.

# BUZZRAW PRO

## STEP 6 | FRONT CALIPER ASSEMBLY

### Tools Required

Magura	T25 Torx Wrench		
Tektro	5mm Hex Wrench		

Tighten the bolts

**Magura Caliper:**  
6Nm, T25 torx wrench

**Tektro Caliper:**  
9Nm, 5mm hex wrench







# BUZZRAW PRO

## STEP 6 | FRONT CALIPER ASSEMBLY

### Tools Required

Magura	T25 Torx Wrench		
Tektro	5mm Hex Wrench		



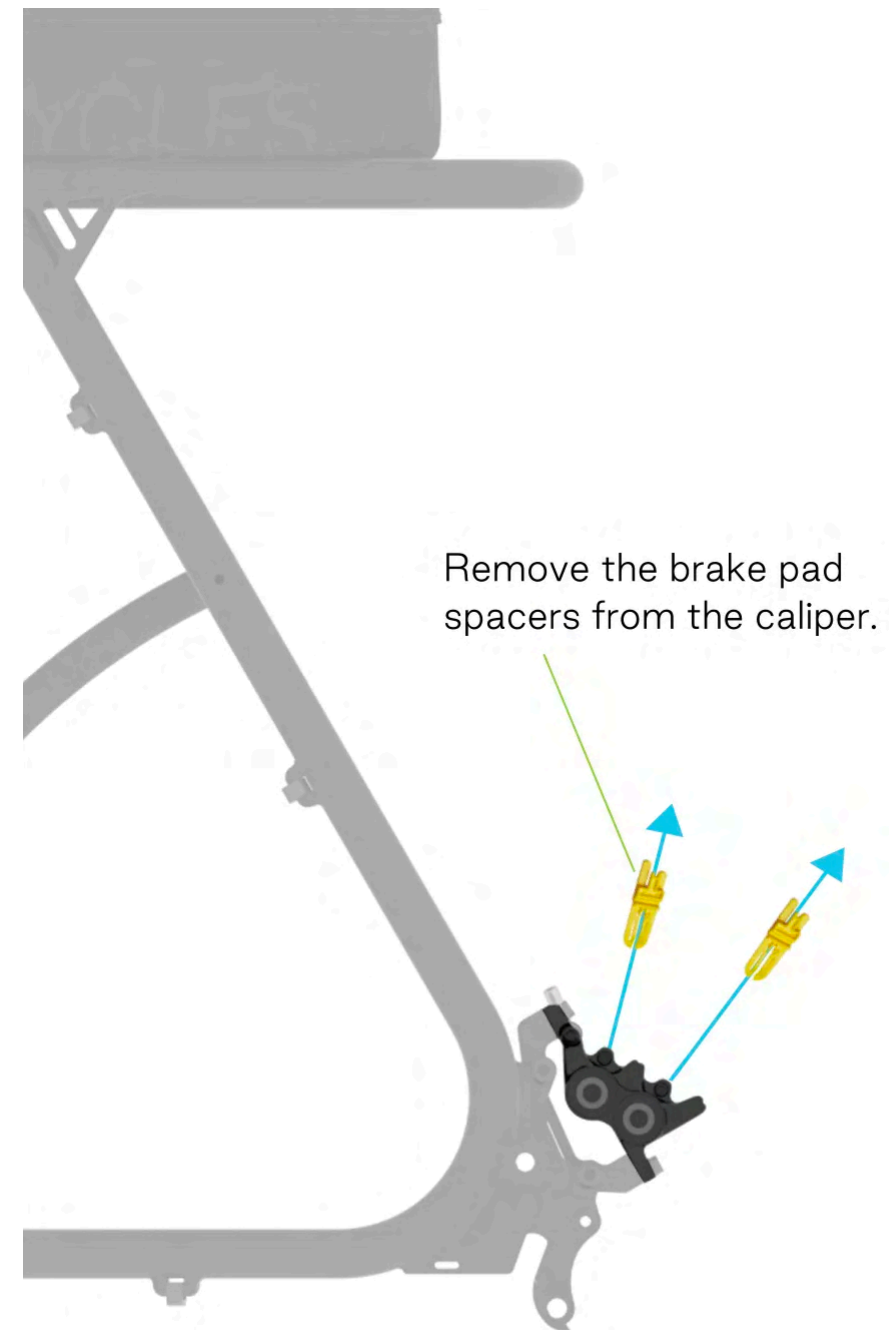


# BUZZRAW PRO

## STEP 7 | REAR WHEEL ASSEMBLY

Tool Required

8mm Hex Wrench



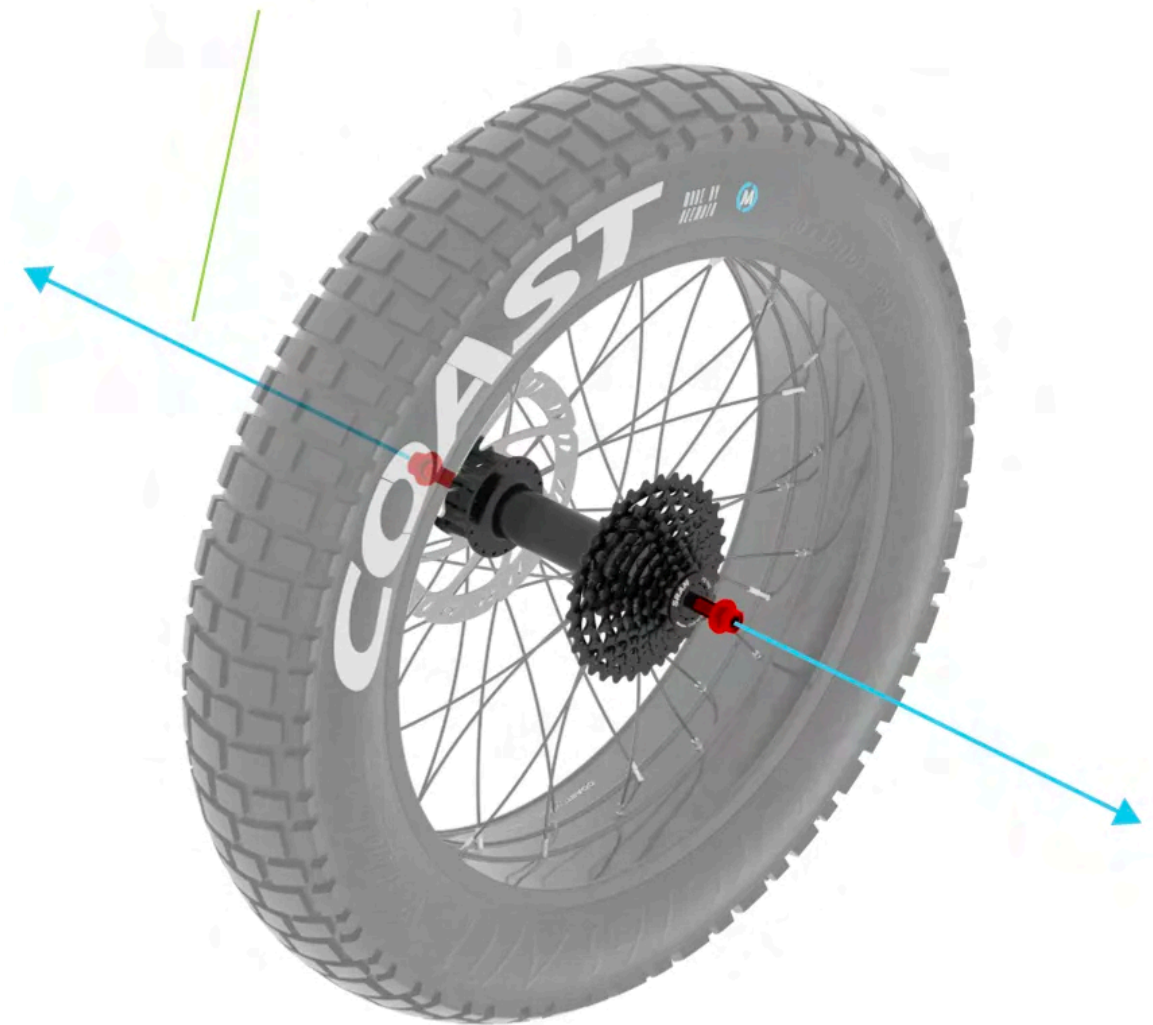
# BUZZRAW PRO

## STEP 7 | REAR WHEEL ASSEMBLY

Tool Required

8mm Hex Wrench | 

Loosen both bolts  
from the rear hub axle.

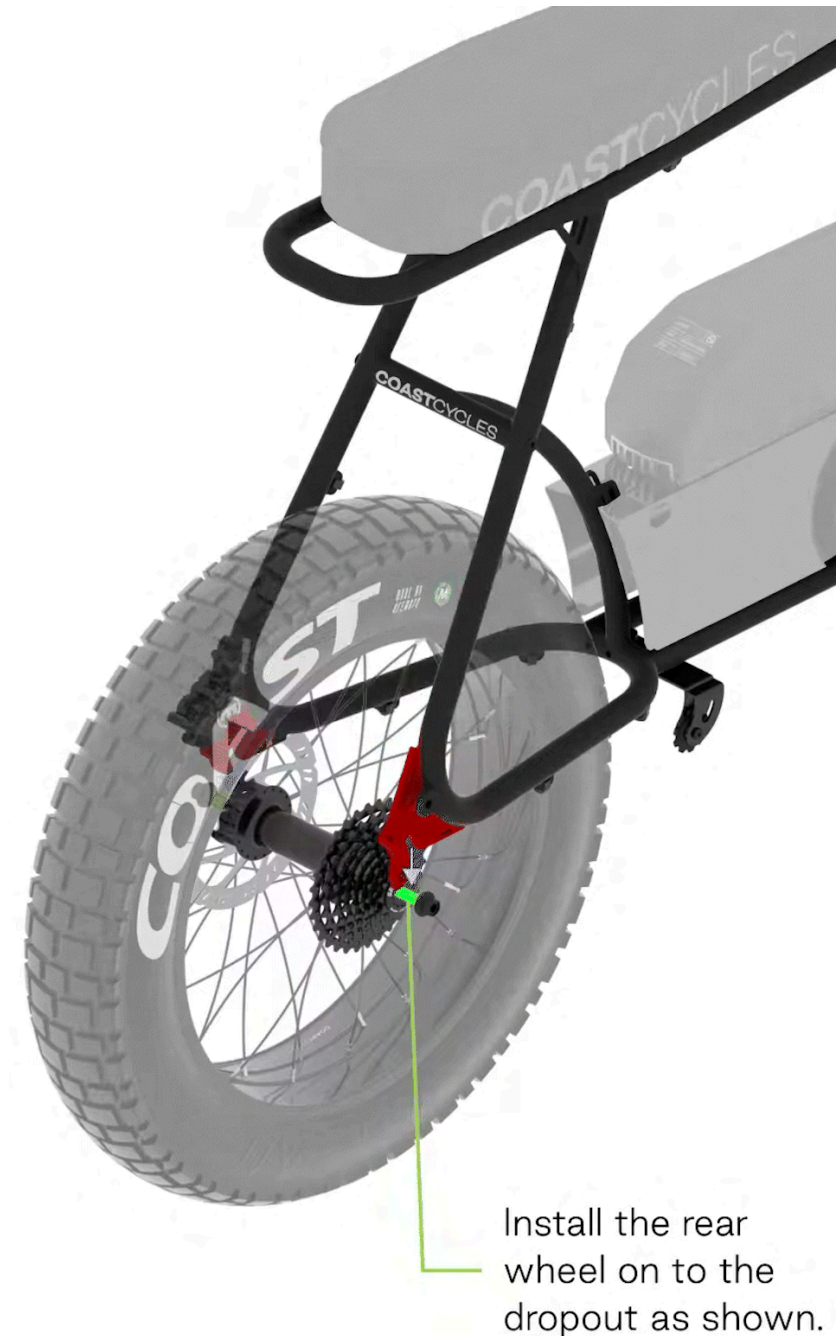


# BUZZRAW PRO

## STEP 7 | REAR WHEEL ASSEMBLY

Tool Required

8mm Hex Wrench | 

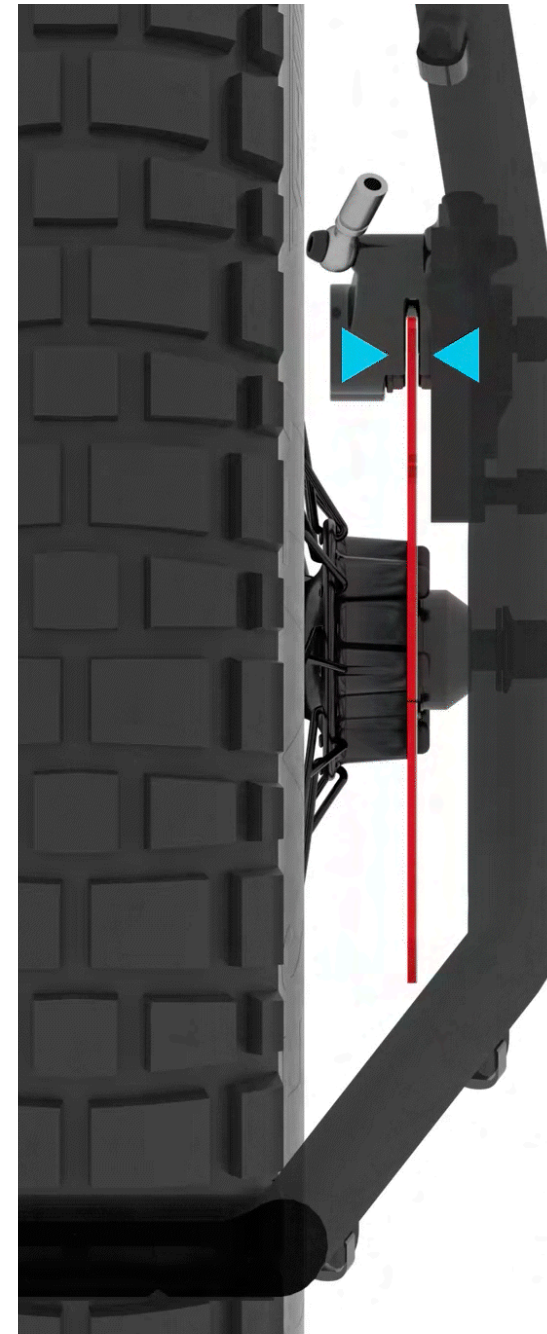


# BUZZRAW PRO

## STEP 7 | REAR WHEEL ASSEMBLY

Tool Required

8mm Hex Wrench | 



The rear disc should sit between brake pads with equal gaps on each side.

The rear caliper has been aligned before shipping.

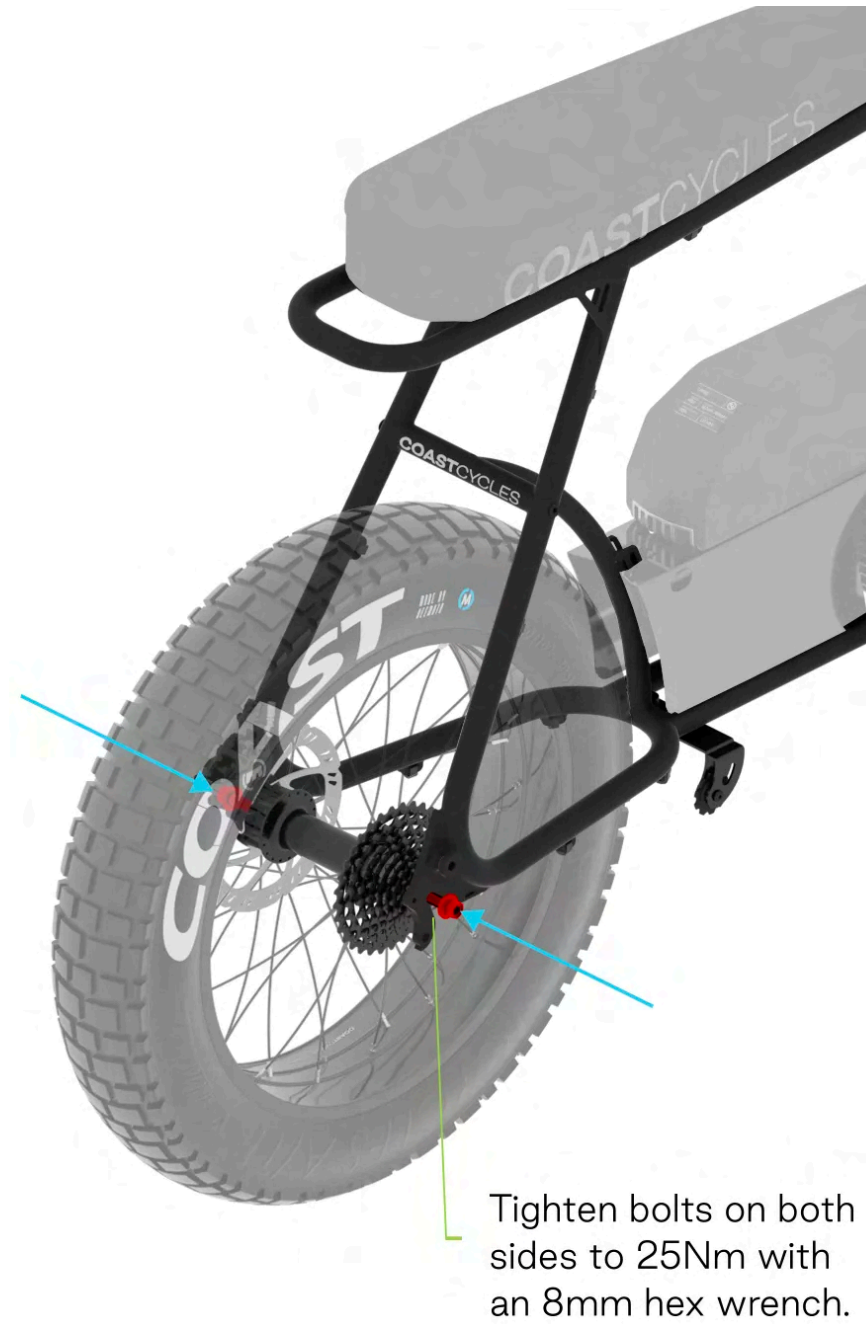


# BUZZRAW PRO

## STEP 7 | REAR WHEEL ASSEMBLY

Tool Required

8mm Hex Wrench | 



Tighten bolts on both sides to 25Nm with an 8mm hex wrench.

# BUZZRAW PRO

---

## STEP 7 | REAR WHEEL ASSEMBLY

---

Tool Required

8mm Hex Wrench



# BUZZRAW PRO

## STEP 8 | DERAILLEUR ASSEMBLY

Tool Required

5mm Hex Wrench



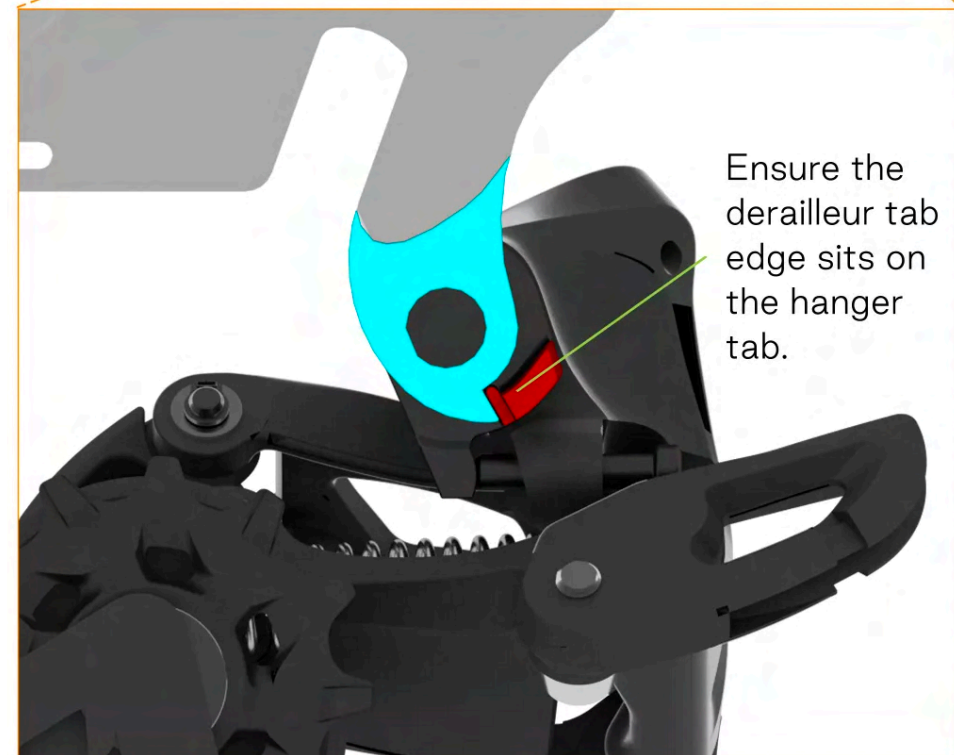
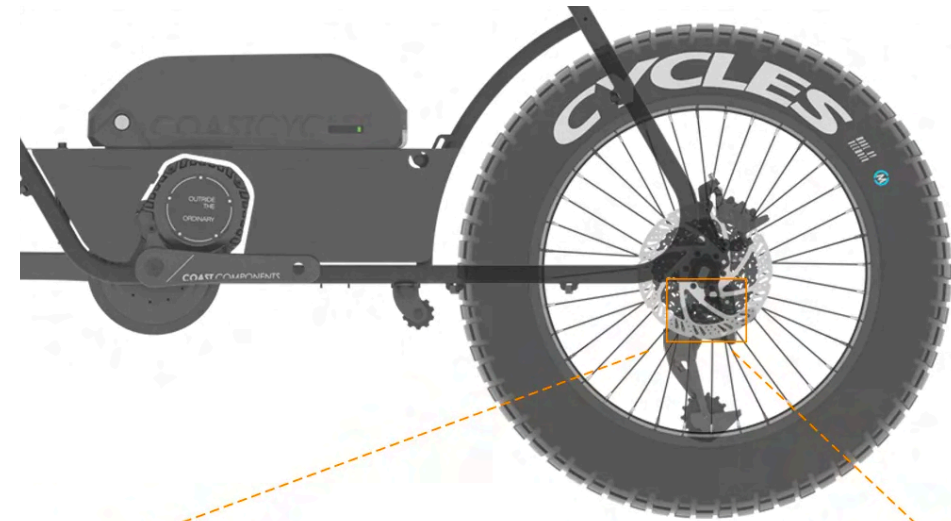
Fasten the rear derailleur to the derailleur hanger as shown with a 5mm hex wrench.

# BUZZRAW PRO

## STEP 8 | DERAILLEUR ASSEMBLY

Tool Required

5mm Hex Wrench





# BUZZRAW PRO

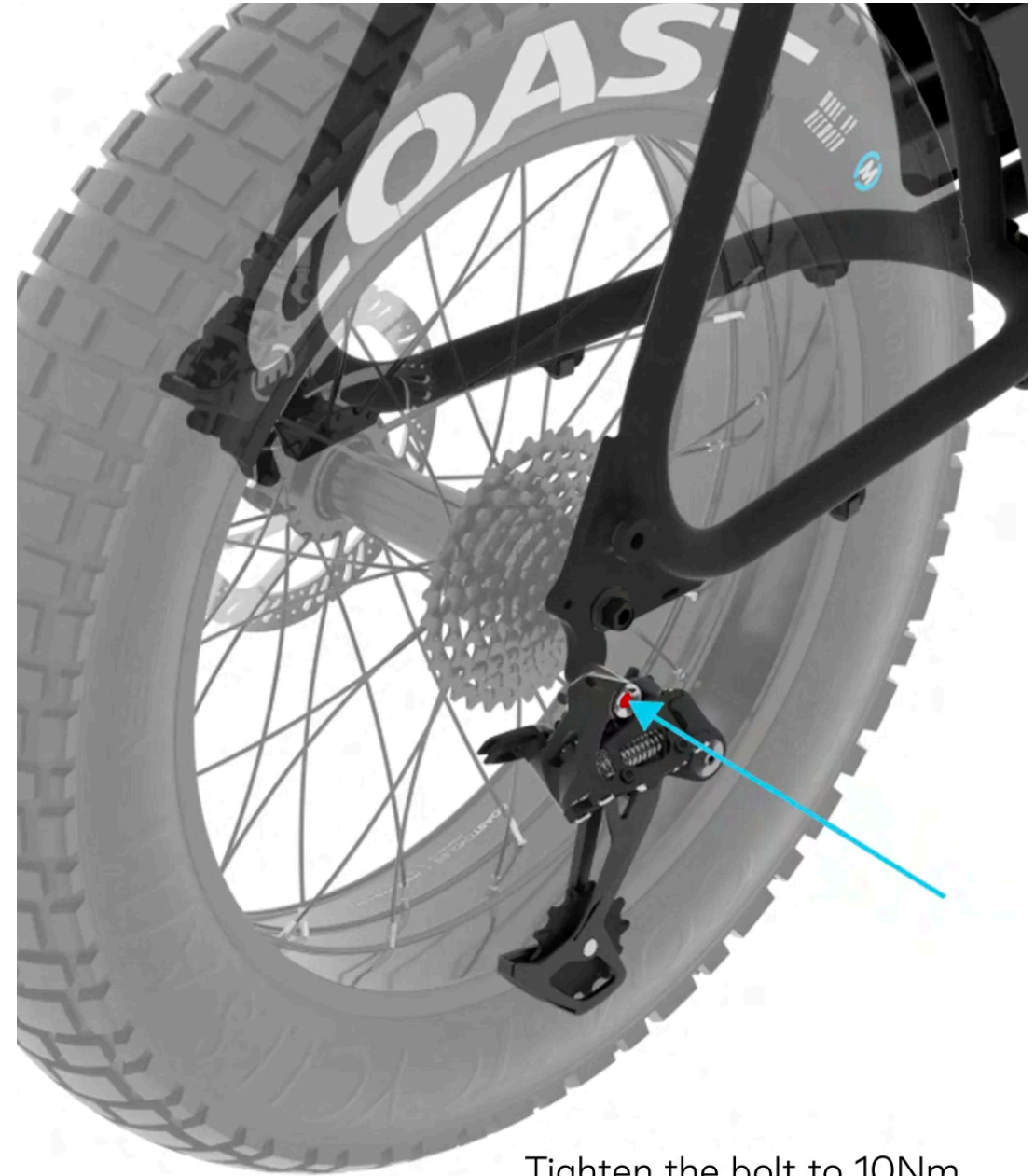
---

## STEP 8 | DERAILLEUR ASSEMBLY

---

Tool Required

5mm Hex Wrench



Tighten the bolt to 10Nm  
with a 5mm hex wrench.

# BUZZRAW PRO

---

## STEP 8 | DERAILLEUR ASSEMBLY

---

Tool Required

5mm Hex Wrench





# BUZZRAW PRO

---

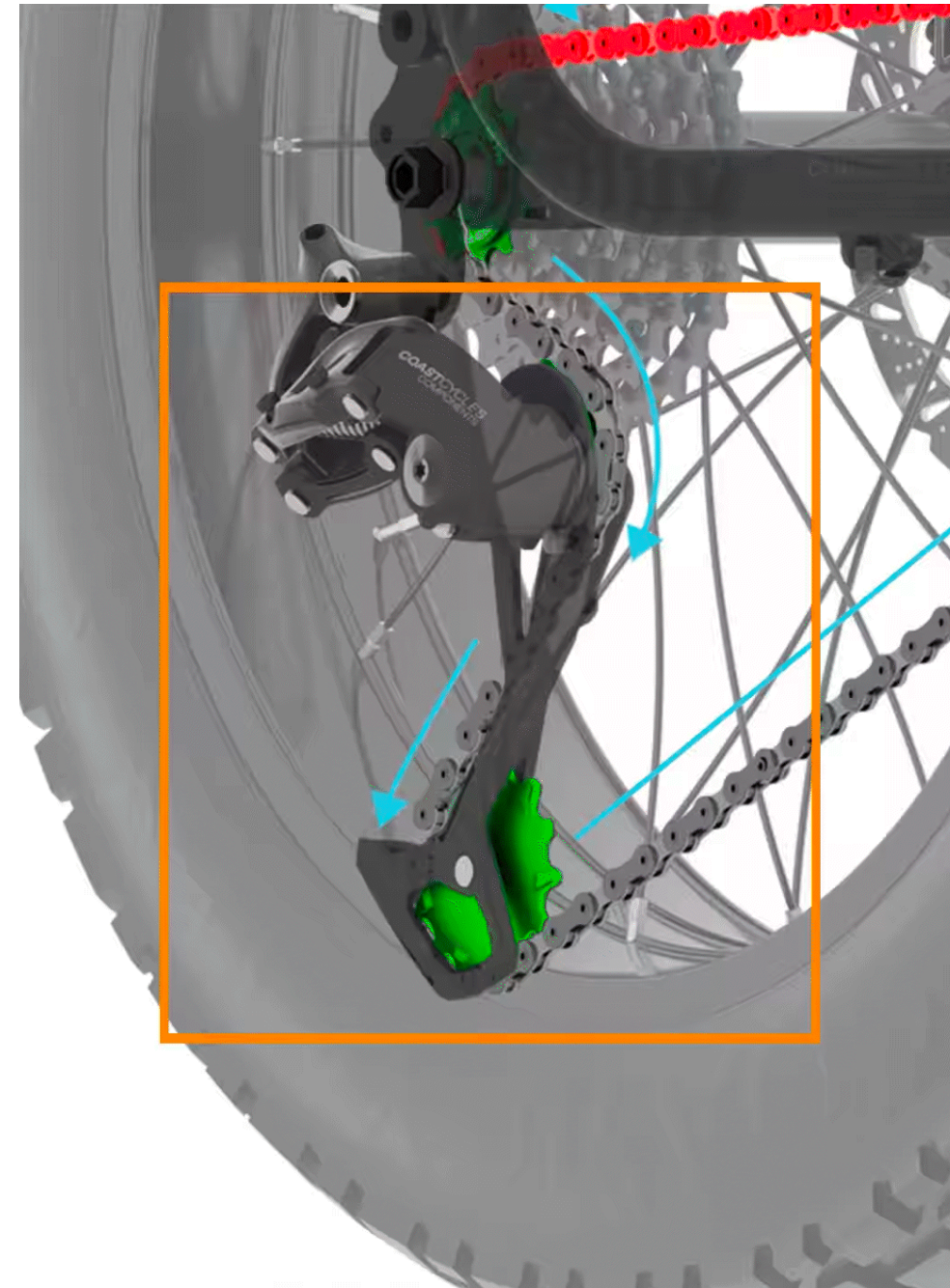
## STEP 9 | CHAIN ASSEMBLY

---

### Package Contents



1 X 8 Speed Chain with Quick Links



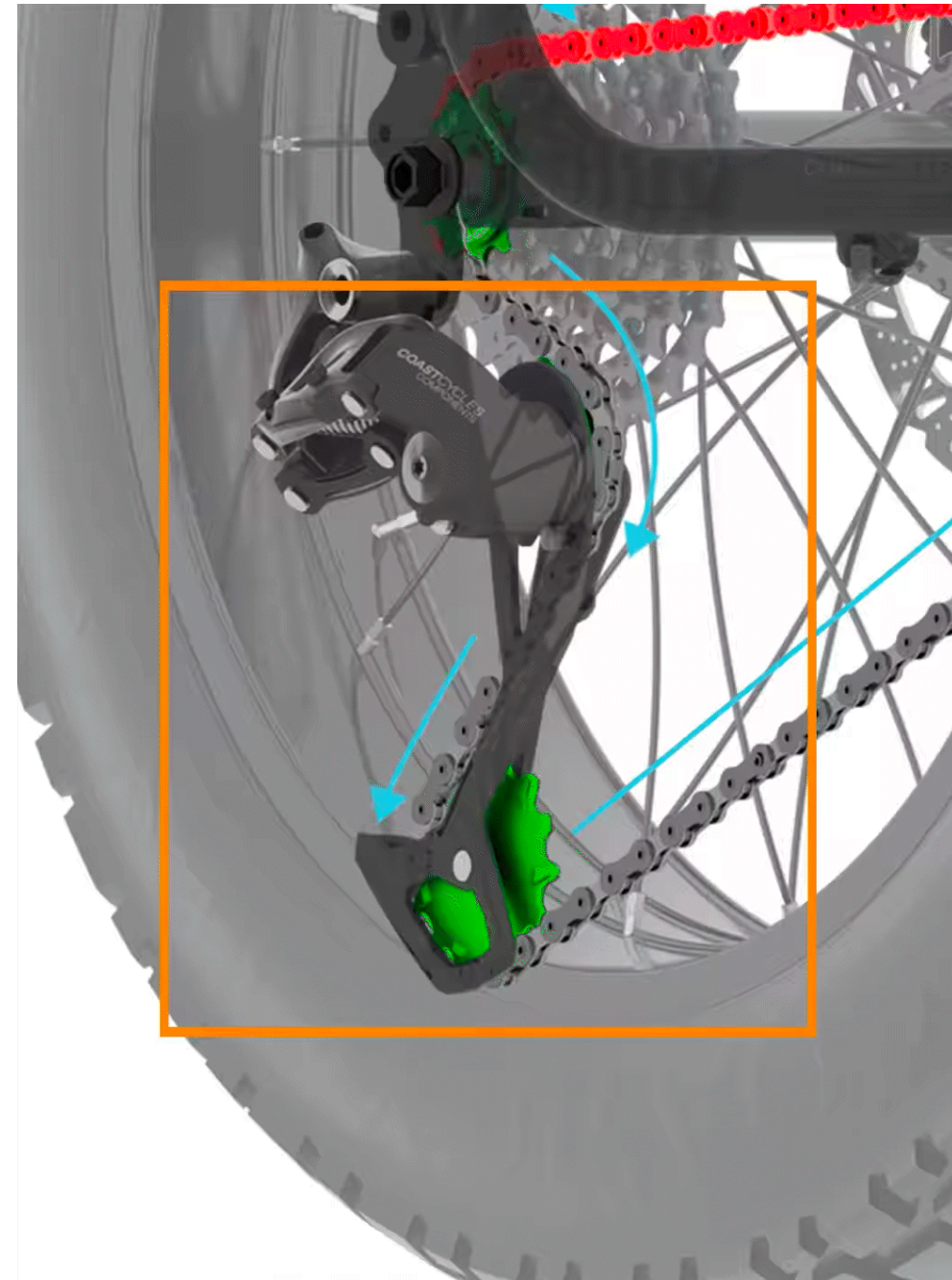
# BUZZRAW PRO

## STEP 9 | CHAIN ASSEMBLY

### Package Contents



1 X 8 Speed Chain with Quick Links





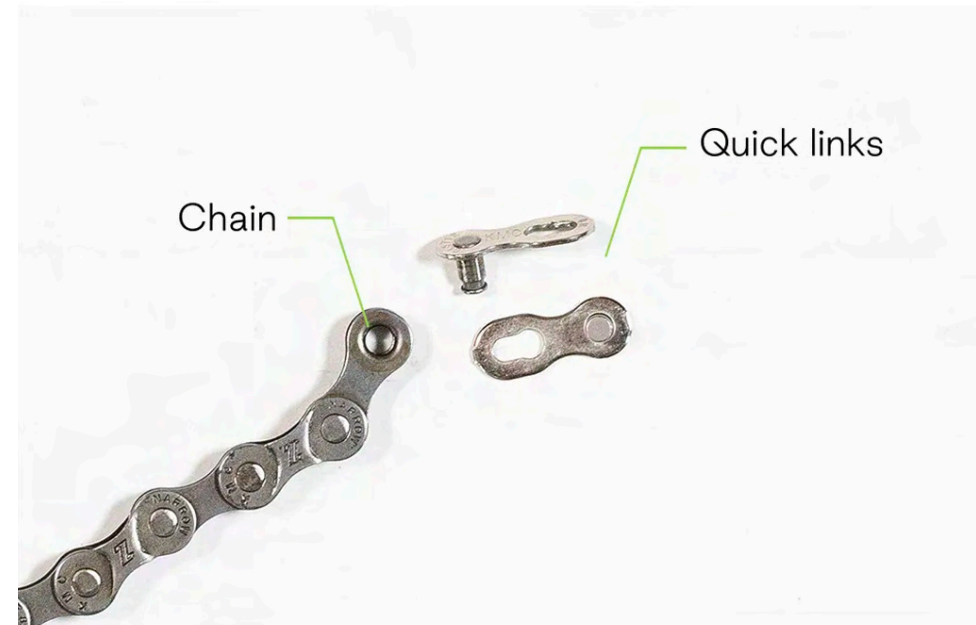
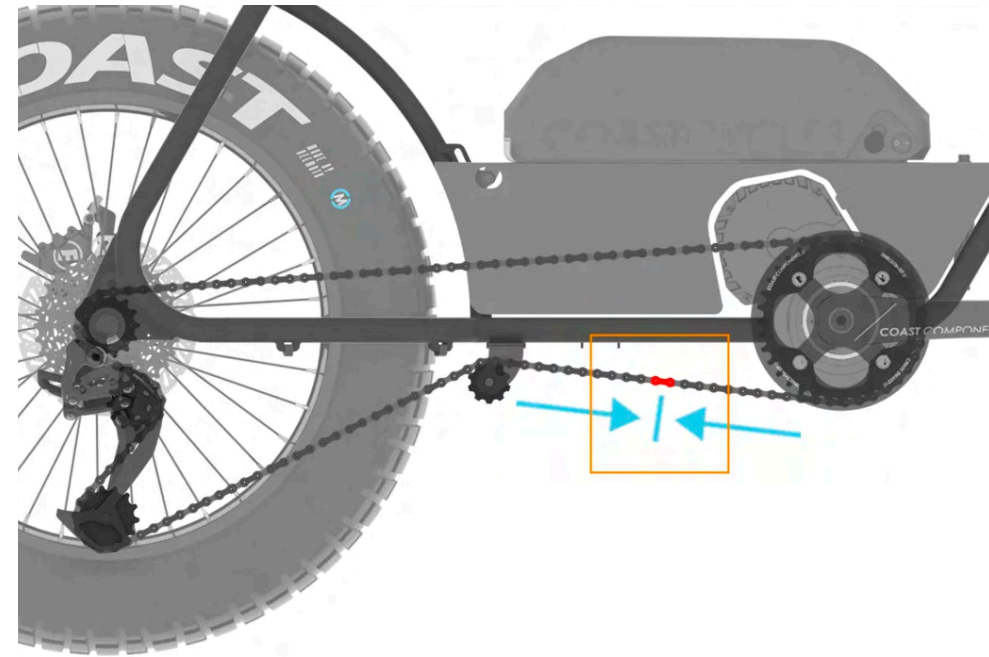
# BUZZRAW PRO

## STEP 9 | CHAIN ASSEMBLY

### Package Contents



1 X 8 Speed Chain with Quick Links



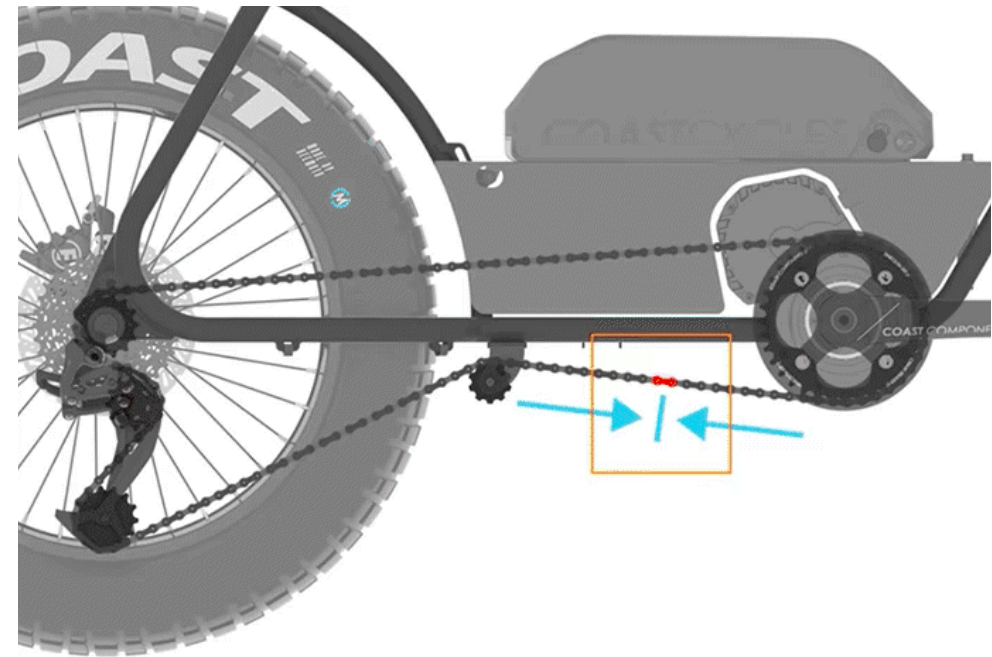
# BUZZRAW PRO

## STEP 9 | CHAIN ASSEMBLY

### Package Contents



1 X 8 Speed Chain with Quick Links



Insert the links through the chain's open ends.



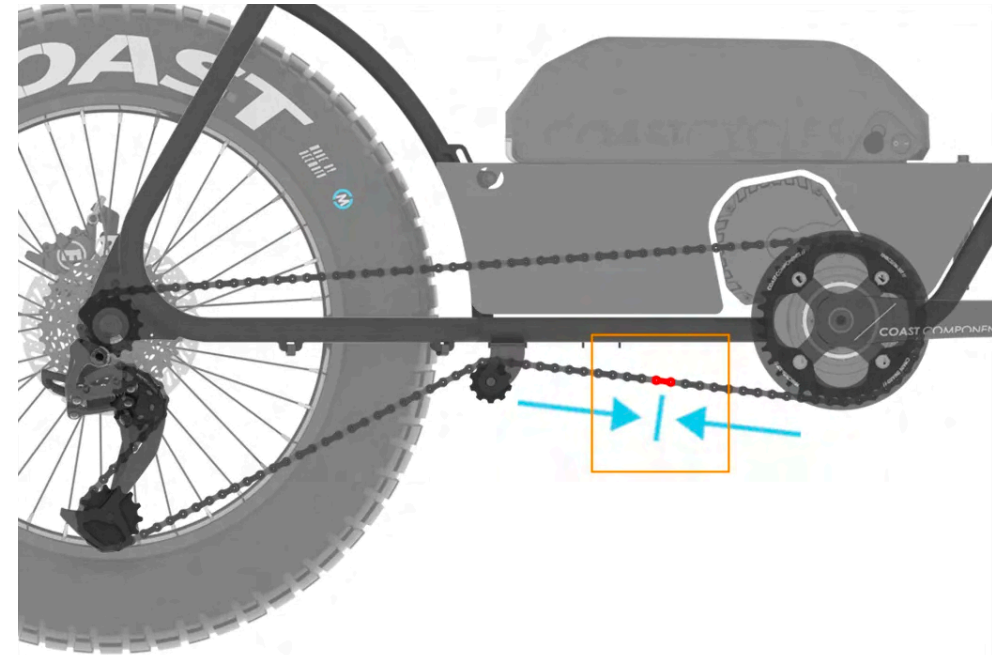
# BUZZRAW PRO

## STEP 9 | CHAIN ASSEMBLY

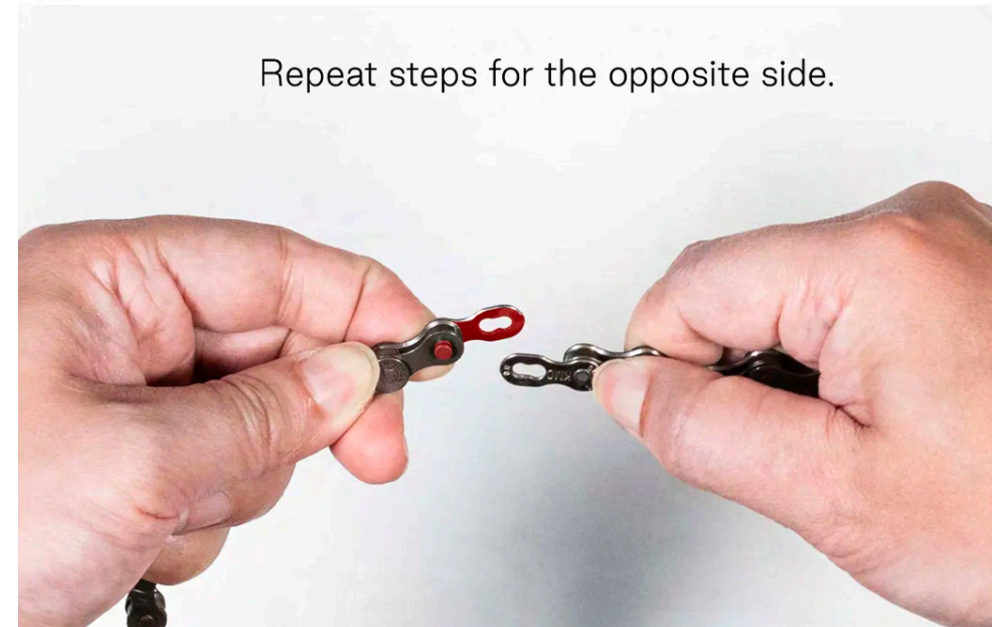
### Package Contents



1 X 8 Speed Chain with Quick Links



Repeat steps for the opposite side.





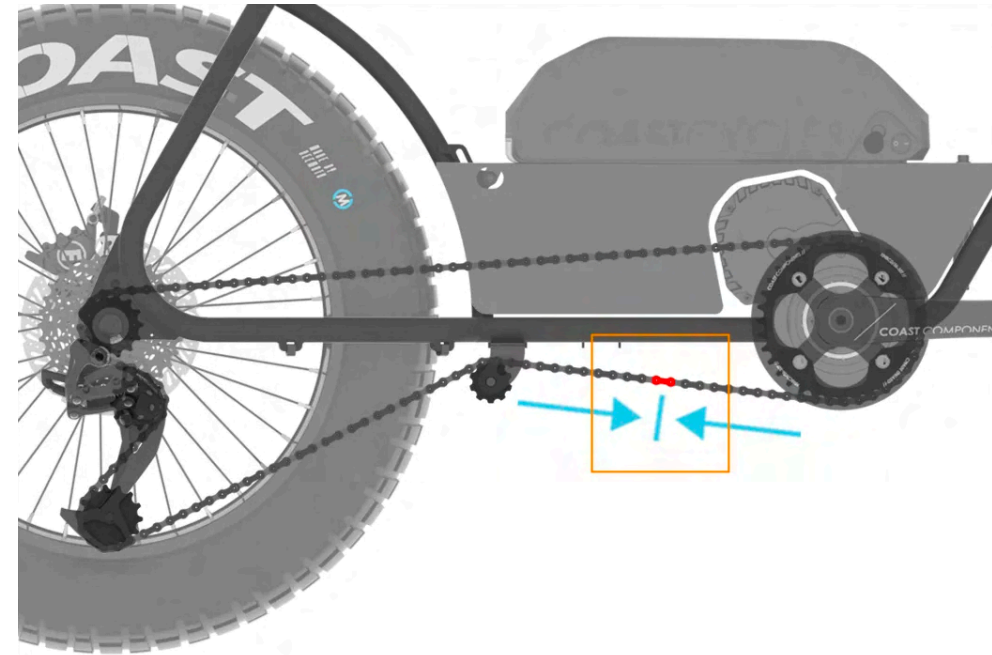
# BUZZRAW PRO

## STEP 9 | CHAIN ASSEMBLY

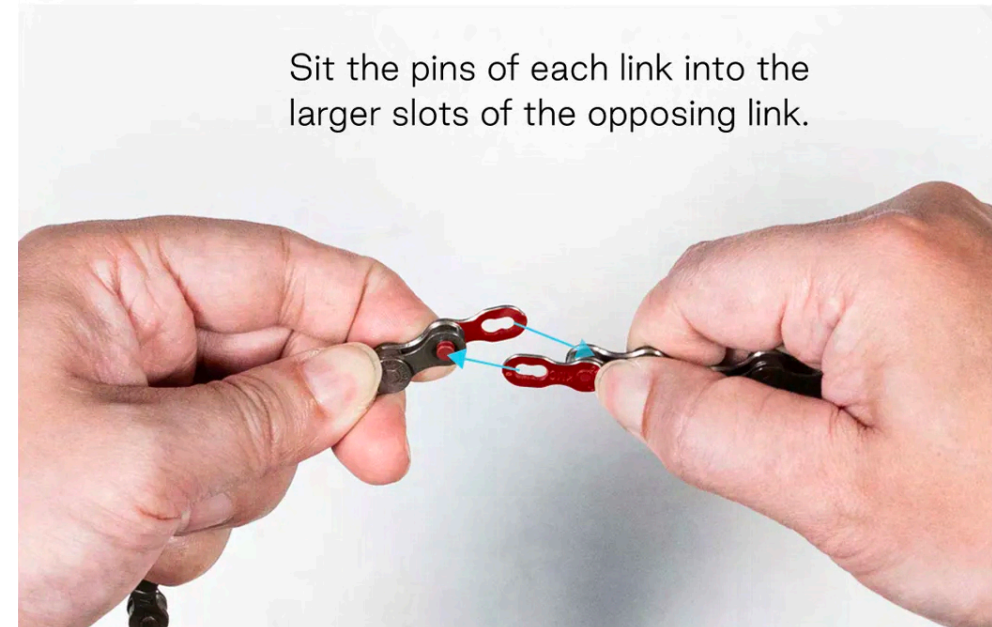
### Package Contents



1 X 8 Speed Chain with Quick Links



Sit the pins of each link into the larger slots of the opposing link.





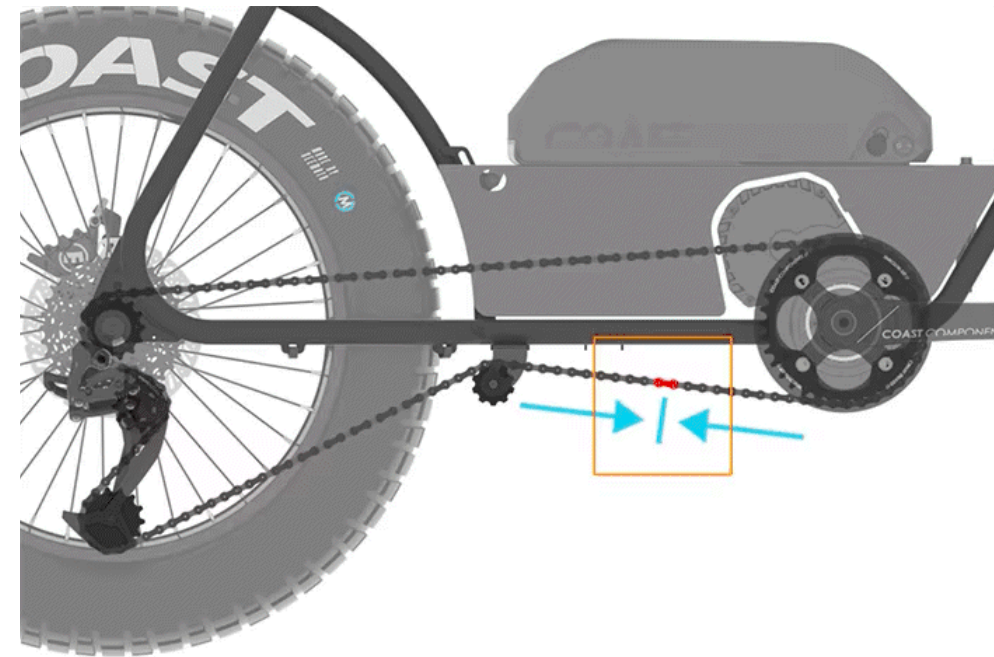
# BUZZRAW PRO

## STEP 9 | CHAIN ASSEMBLY

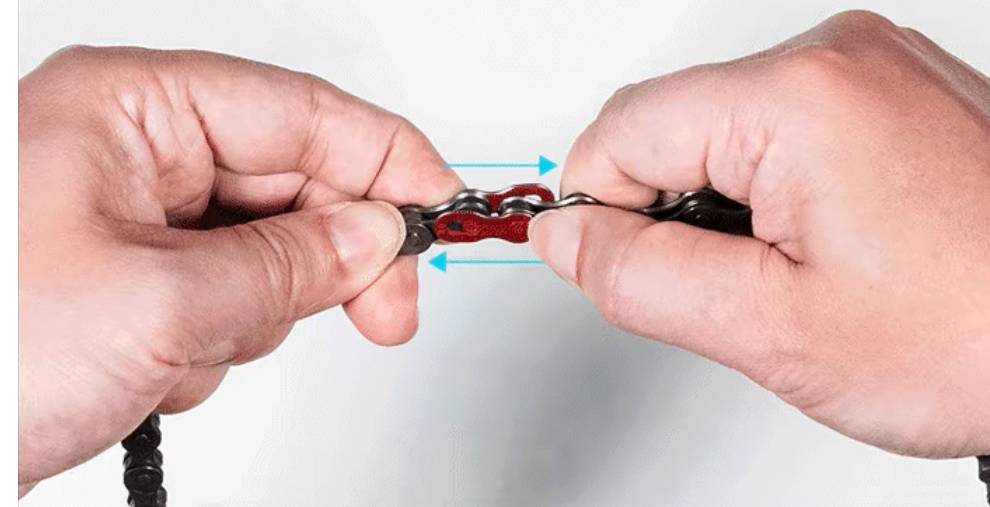
### Package Contents



1 X 8 Speed Chain with Quick Links



Pull the link into its closed position.



# BUZZRAW PRO

---

## STEP 9 | CHAIN ASSEMBLY

---

### Package Contents



1 X 8 Speed Chain with Quick Links

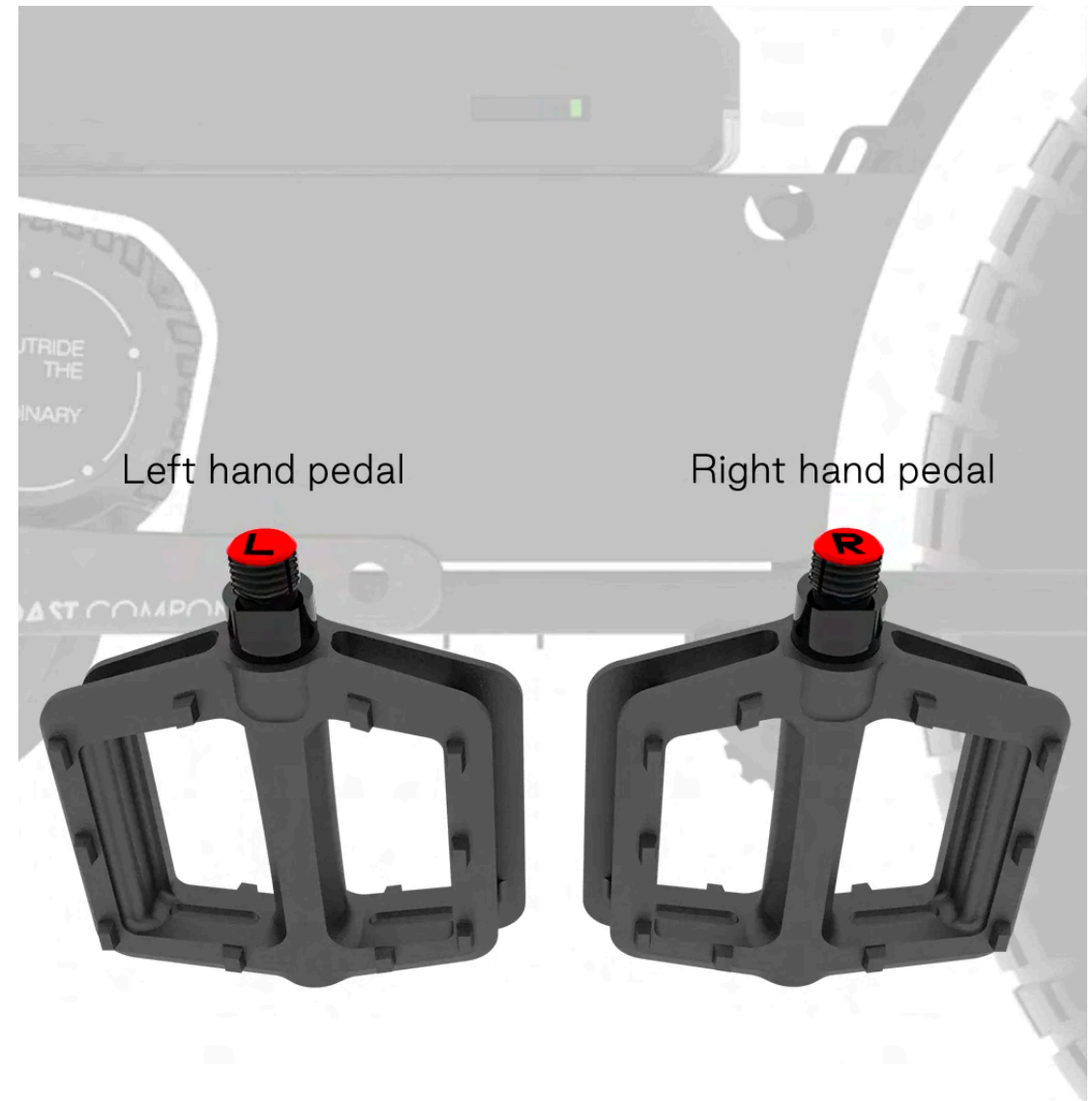


# BUZZRAW PRO

## STEP 10 | PEDAL ASSEMBLY

Tool Required

15mm Wrench



Pedal sides are indicated by the L & R markings on the end of each pedal spindle.

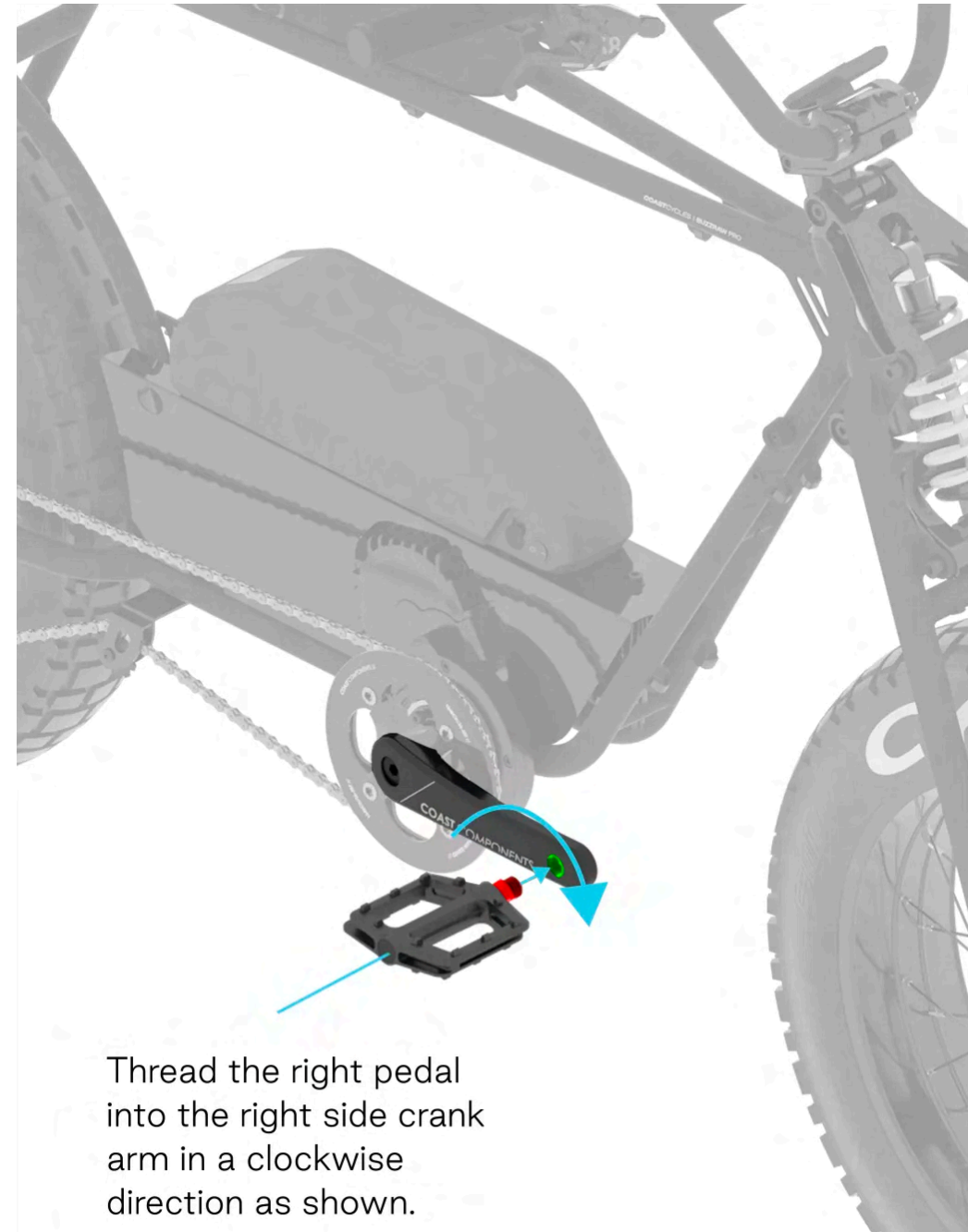


# BUZZRAW PRO

## STEP 10 | PEDAL ASSEMBLY

Tool Required

15mm Wrench



Thread the right pedal into the right side crank arm in a clockwise direction as shown.

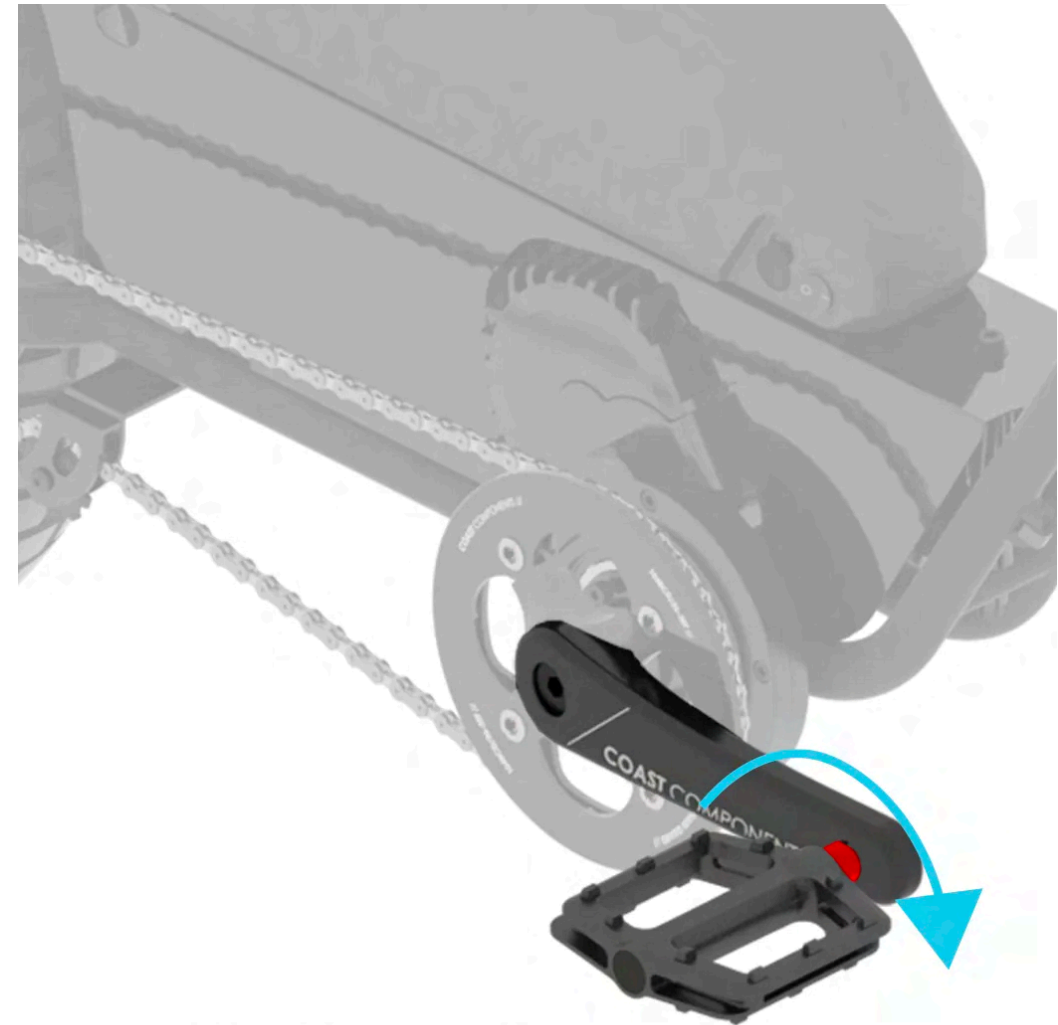


# BUZZRAW PRO

## STEP 10 | PEDAL ASSEMBLY

Tool Required

15mm Wrench



Tighten the pedal with a 15mm wrench in a clockwise direction.

Note: Hold the opposite crank arm as another point of leverage.

# BUZZRAW PRO

## STEP 10 | PEDAL ASSEMBLY

Tool Required

15mm Wrench



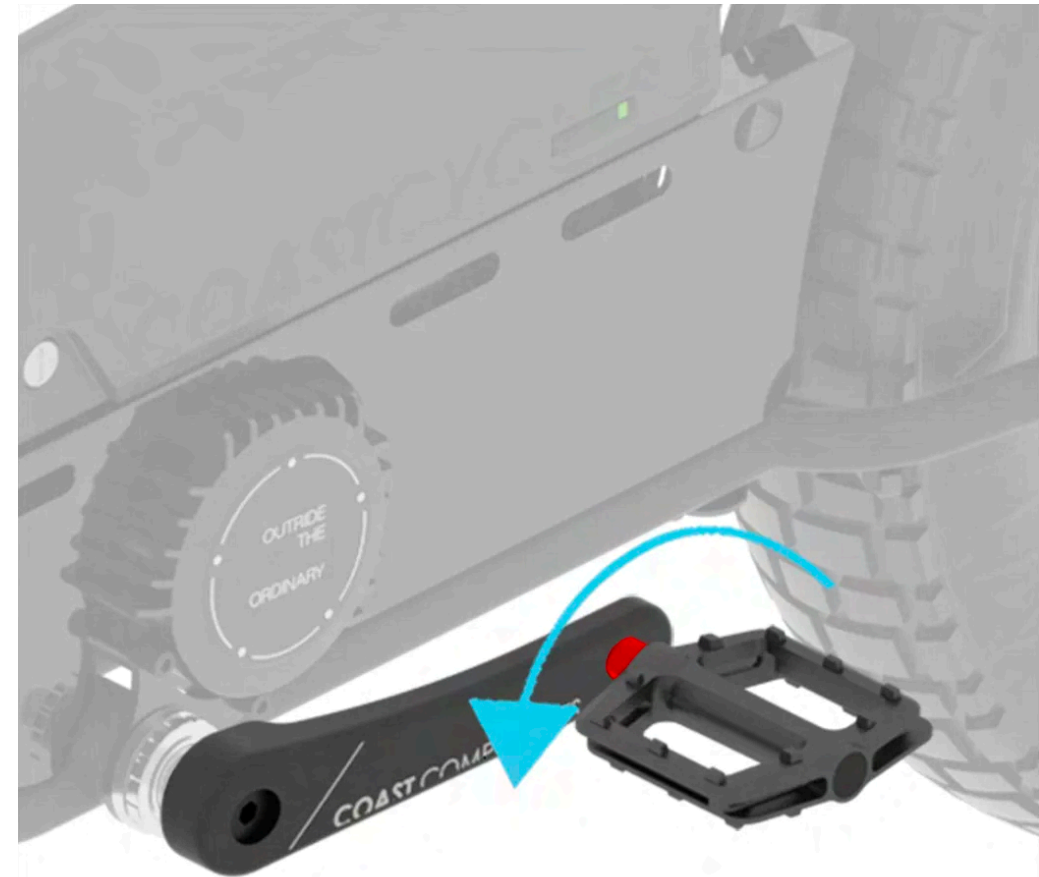
Thread the left pedal into the left side crank arm in a counterclockwise direction as shown.

# BUZZRAW PRO

## STEP 10 | PEDAL ASSEMBLY

Tool Required

15mm Wrench



Tighten the pedal with a 15mm wrench in a counterclockwise direction.

Note: Hold the opposite crank arm as another point of leverage.

# BUZZRAW PRO

---

## STEP 10 | PEDAL ASSEMBLY

---

Tool Required

15mm Wrench





**COASTCYCLES**